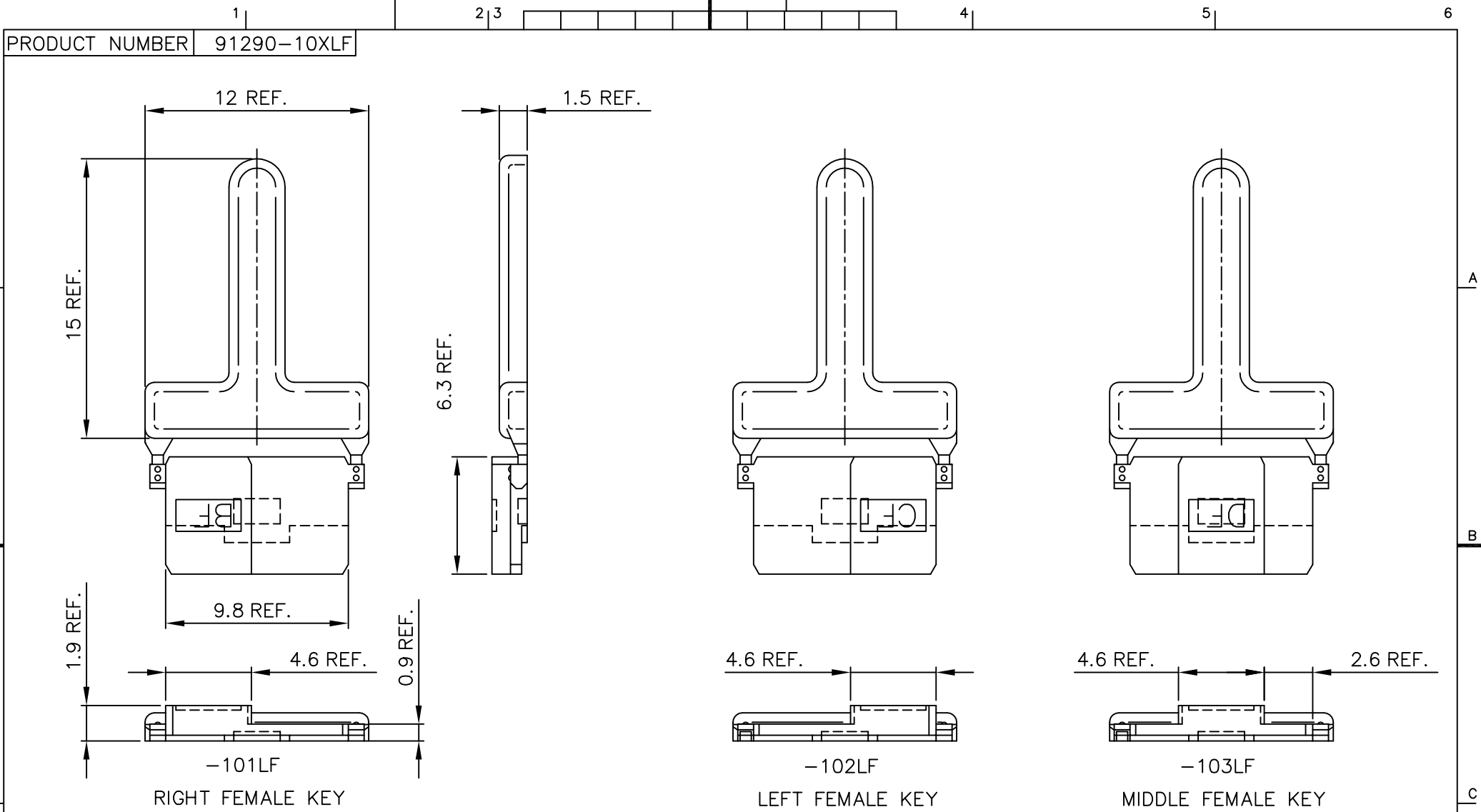


Tous droits strictement réservés. Reproduction ou communication sans autorisation écrite du propriétaire. Propriété de FCI b.v. © FCI b.v.



Reproduction or issue to third parties in any form, without written authority from the proprietor. Property of FCI b.v. © FCI b.v.

All rights strictly reserved. Reproduction or communication without written authority from the proprietor. Property of FCI b.v. © FCI b.v.



NOTES:

- MATERIAL: LIQUID CRYSTAL POLYMER. FLAMERETARDANT ACC. UL 94-VO. 30% GLASS FILLED, COLOR: SEE TABLE.

PRODUCT NUMBER	COLOR
91290-101LF	BLUE
91290-102LF	PINK
91290-103LF	BROWN

- THIS PRODUCT WITH "LF" SUFFIX MEETS EUROPEAN UNION DIRECTIVES AND OTHER COUNTRY REGULATIONS AS DESCRIBED IN GS -22-008.

- THE PRODUCT IS NOT INTENDED TO BE EXPOSED TO A MANUFACTURING SOLDER PROCESS.

mat'l. code		tolerances unless otherwise specified		CUSTOMER COPY		FCI ELECTRONICS	
SEE NOTE 1				projection		www.fciconnect.com	
ltr	ecn no	dr	date	linear	title	FEMALE HALF KEYS	
A	V41309	RDO	940729		⊕	product family	CENTRAL (tm)
B	H40388	RV	940810	angles	mm	size	dwg no
C	H40583	DDB	940916		scale	A3	91290
D	bg05-0372	CLu	051006	dr	D. de Bil	940609	code
				engr	E. Feijen	940729	213
				chr	G.S. Lee	940609	sheet
				appd	G.S. Lee	940609	1 of 1
sheet index	revision	D					
	sheet	1					

Mouser Electronics

Authorized Distributor

Click to View Pricing, Inventory, Delivery & Lifecycle Information:

[FCI / Amphenol:](#)

[91290-101LF](#) [91290-102LF](#) [91290-103LF](#)