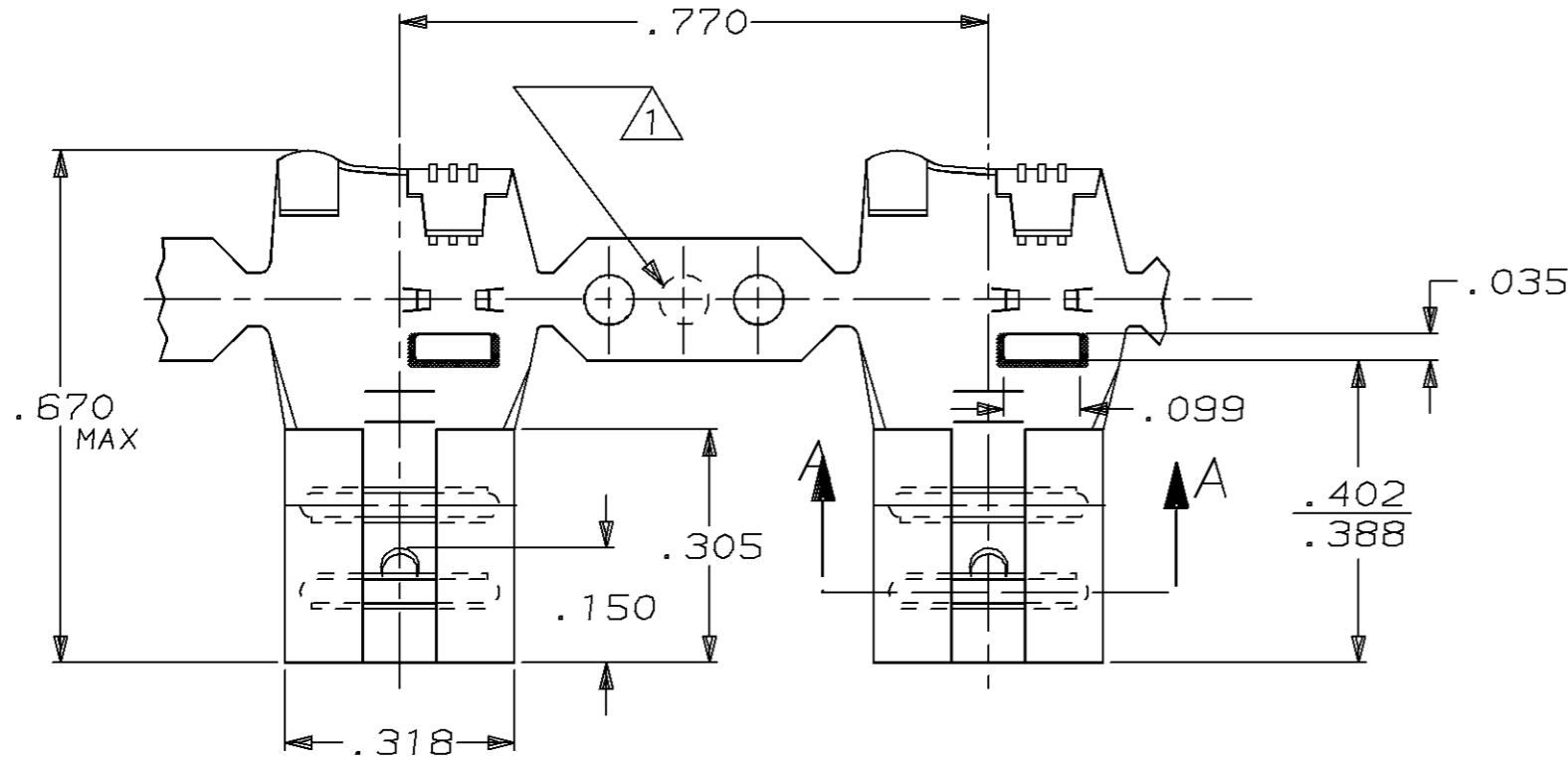
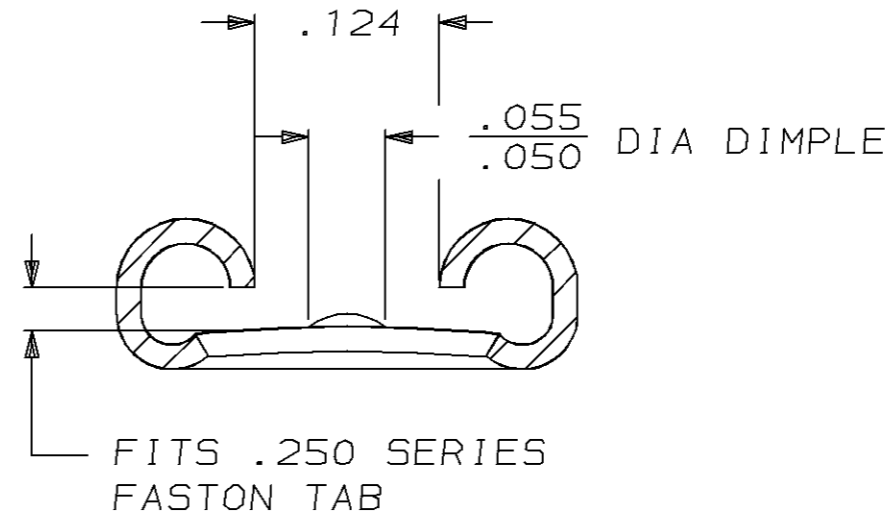


THIS DRAWING IS UNPUBLISHED. RELEASED FOR PUBLICATION, 19
 © COPYRIGHT 19 BY AMP INCORPORATED. ALL INTERNATIONAL RIGHTS RESERVED.

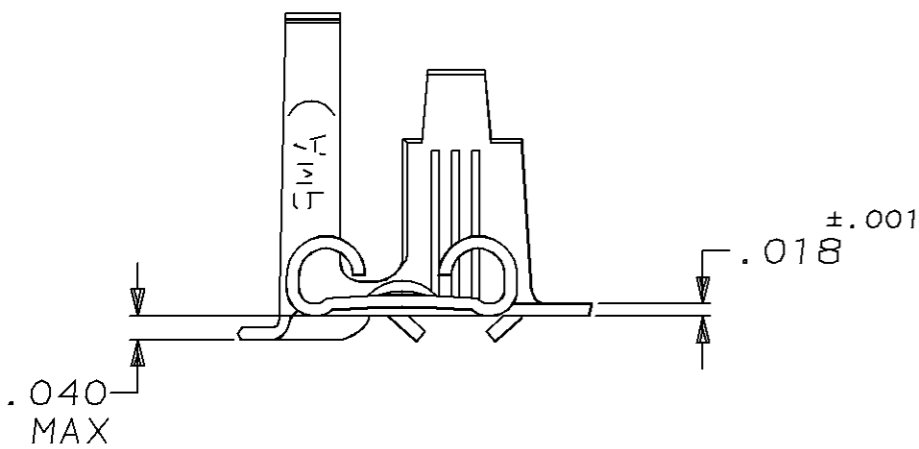
LOC	DIST	P	F	ZONE	LTR	REVISIONS		
AF	50				U	NO CHANGE PER 0710-0498-95	DATE	APPD
							11/14/95	JR/PD



- 1 SINGLE OR DOUBLE PILOT HOLE OPTIONAL
- 2 MAX FIRST INSERTION FORCE, 20 LBS. USING GAGE 100505.



SECTION A-A
SCALE 8:1



.110-.210	18-12	.032	41800
INSULATION RANGE	WIRE SIZE	MATING TAB THK ±.001	PART NO
DO NOT SCALE PRINT. UNLESS SPECIFIED DIMENSIONS IN INCHES TOLERANCES ON: 2 PLC DEC ± - 3 PLC DEC ± .015 ANGLES ± -	DR 7/12/89 JR RUTH CHK 7/12/89 MS FEHER APPD 7/12/89 C MEYERS APPD 7/12/89 R KUZO PRODUCT SPEC -	AMP INCORPORATED Harrisburg, Pa. 17105	
MATERIAL #3H PHOS BRZ	FINISH TIN	NAME RECEPTACLE, FASTON, FLAG, .250 SERIES	
	APPLICATION SPEC -	SIZE B	CAGE CODE 00779
	WEIGHT -	DRAWING NO 41800	SHEET 1 OF 1
		SCALE 4:1	

Mouser Electronics

Authorized Distributor

Click to View Pricing, Inventory, Delivery & Lifecycle Information:

[TE Connectivity:](#)

[41800](#)