

RFA-02-L2H1

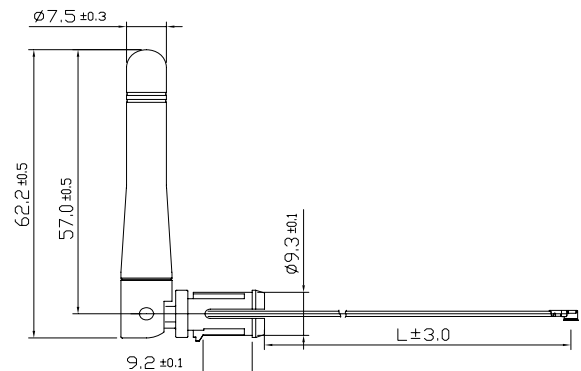
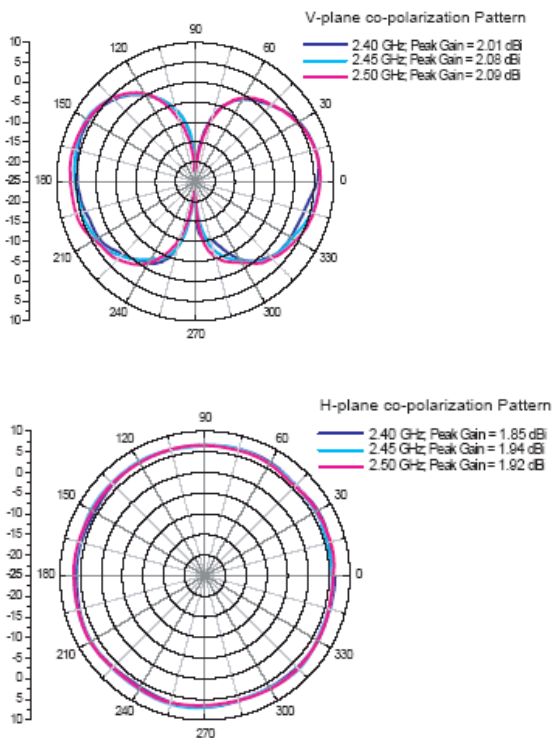
Specifications

Frequency range	2400 MHz – 2500 MHz
Antenna gain	2 dBi
VSWR	2.0 : 1 Max.
Polarization	Linear, vertical
Impedance	50 Ω
Temperature	- 10°C to +55°C
Connector	I-PEX
Cable	1.13



Environment & Mechanical Characteristics

Temperature	- 10°C to +55°C
Humidity	95% @ 25°C
Wire material	ϕ 1.13 VW-1
Radome material	CHI MEI –ABS PA757 HB



Mouser Electronics

Authorized Distributor

Click to View Pricing, Inventory, Delivery & Lifecycle Information:

[Microchip:](#)

[TRF1001](#)