

CONFIDENTIAL: THIS DRAWING OR MATERIAL IS SUBMITTED TO YOU WITH THE CONFIDENCE THAT IT WILL BE USED ONLY FOR YOUR INFORMATION ON APPLICATION ENGINEERING STUDIES AND SHALL NEVER BE USED IN ANY MANNER DETRIMENTAL TO OUR INTEREST.

SCALE

UNLESS OTHERWISE SPECIFIED
TOLERANCES TO BE:
DECIMAL $\pm .005$ "
FRACTIONAL $\pm 1/64$ "
ANGULAR $\pm 2^\circ$

DATE

A-13-94

NO.

4408

TITLE

FUSEBLOCK

SUP. NO.

4408

DATED

J 3-31-94

DWG.

TCB

CK.

BM

CHANGE

K

ENG.

a.u.

MFG.

SALES

NA9068

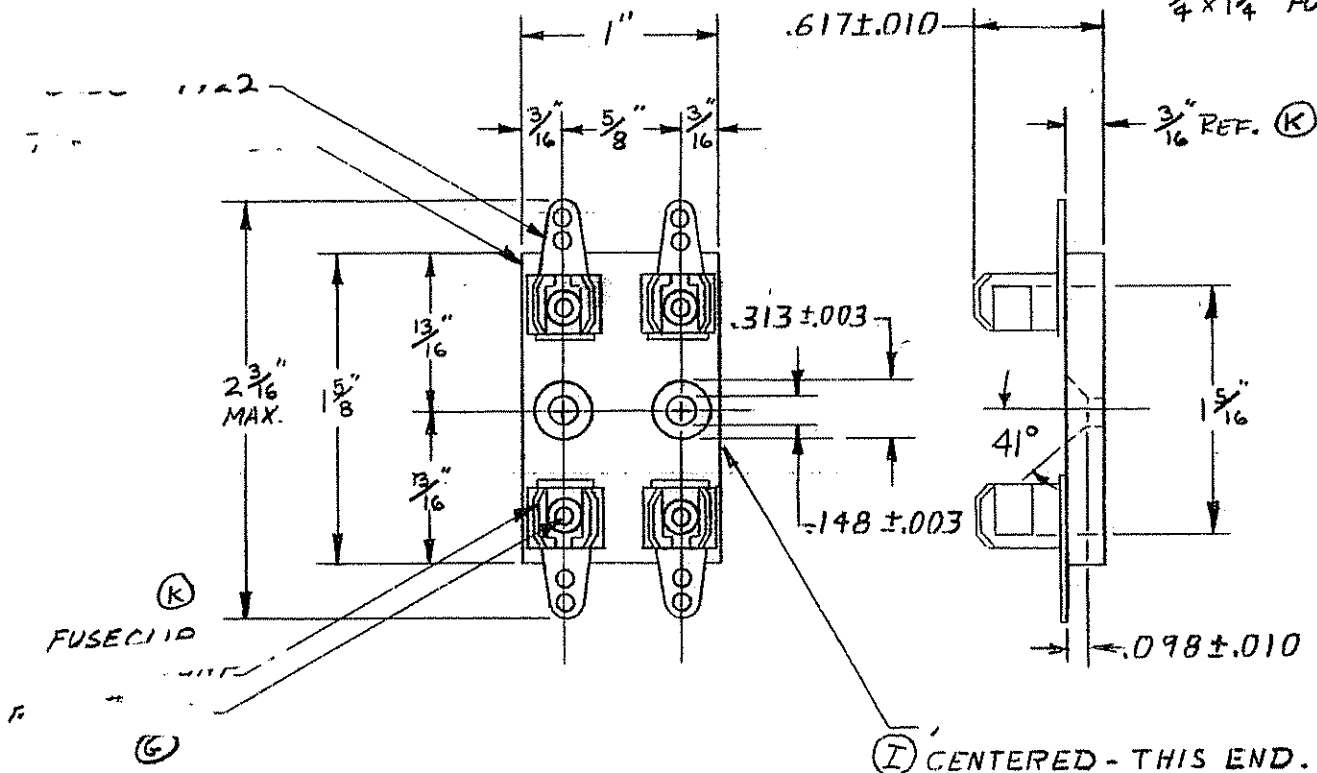
Bussmann Division
Cooper Industries
St. Louis, MO 63178

DISTRIBUTION

56 1J

(H) REDRAWN

2 POLE FUSEBLOCK FOR
 $\frac{1}{4} \times \frac{1}{4}$ " FUSES.



Mouser Electronics

Authorized Distributor

Click to View Pricing, Inventory, Delivery & Lifecycle Information:

[Eaton:](#)

[4408](#)