

4

3

2

1

THIS DRAWING IS UNPUBLISHED.

RELEASED FOR PUBLICATION

2010

© COPYRIGHT 2010 BY -

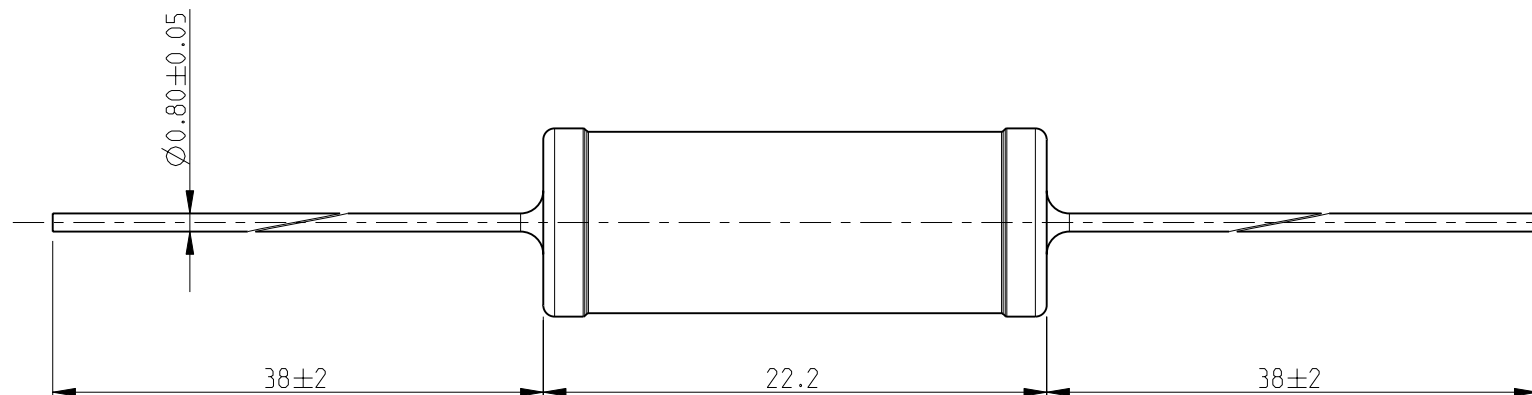
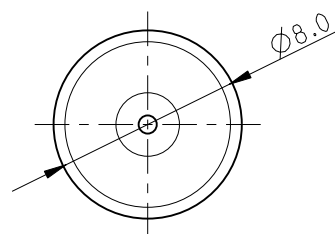
ALL RIGHTS RESERVED.

LOC E DIST B

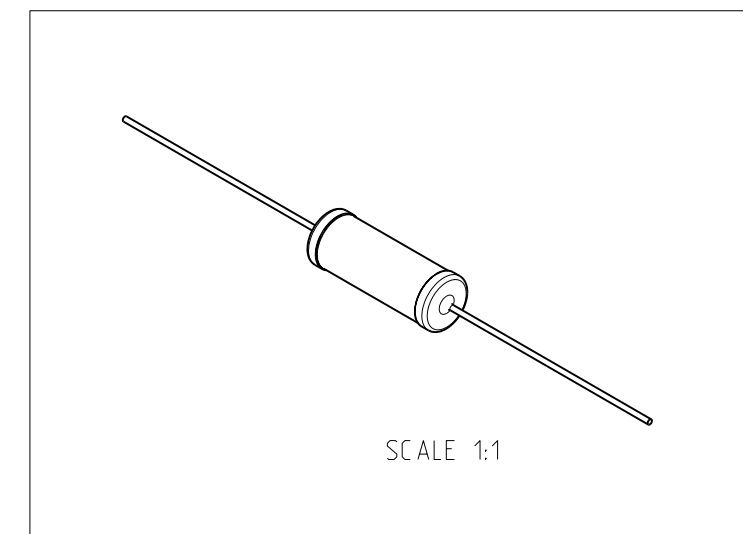
REVISIONS

P	LTR	DESCRIPTION	DATE	DWN	APVD
	BA1	REVISED PER ECO-11-005150	29MAR2011	RK	HMR

FOR FURTHER INFORMATION SEE DATA SHEET FOR SERIES ER/ERV- HIGH POWER RESISTORS



RoHS Compliant



THIS DRAWING IS A CONTROLLED DOCUMENT.

DWN MAHARUDRA 11-FEB-10

CHK ALLAN.P 11-FEB-10

APVD STEPHEN.P 11-FEB-10

PRODUCT SPEC -

APPLICATION SPEC -

WEIGHT -

CUSTOMER DRAWING

**STE** TE Connectivity

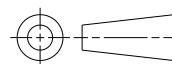
HIGH POWER RESISTORS  
SERIES ER58

NAME - SIZE A3 CAGE CODE 00779 DRAWING NO. 1623750 RESTRICTED TO -

SCALE 3:1 SHEET 1 OF 1 REV BA1

DIMENSIONS:

mm



TOLERANCES UNLESS OTHERWISE SPECIFIED:

0 PLC	$\pm 0.2$
1 PLC	$\pm 0.1$
2 PLC	$\pm -$
3 PLC	$\pm -$
4 PLC	$\pm -$
ANGLES	$\pm 5^\circ$

MATERIAL -

FINISH -

# Mouser Electronics

Authorized Distributor

Click to View Pricing, Inventory, Delivery & Lifecycle Information:

[TE Connectivity:](#)

[ER5824RJT](#)