

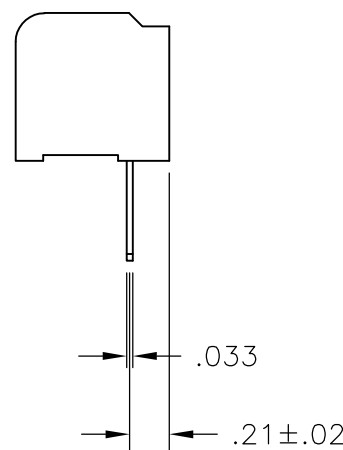
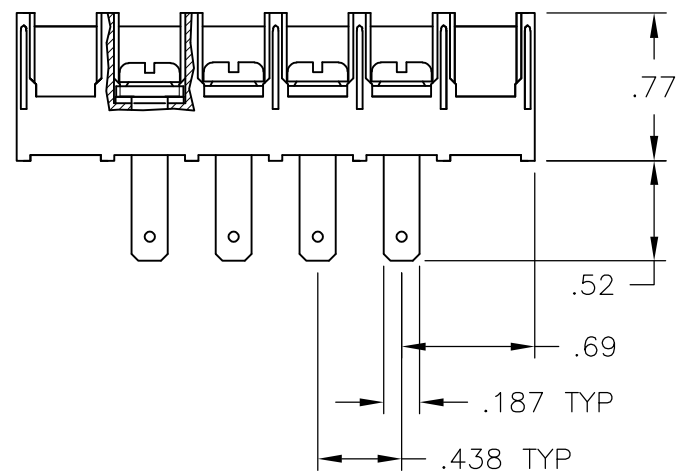
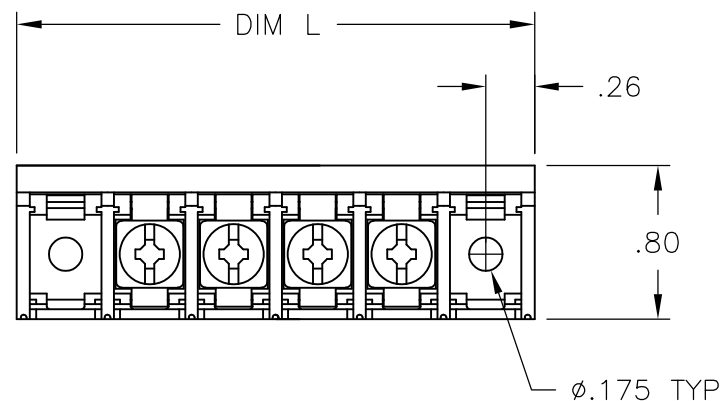
THIS DRAWING IS UNPUBLISHED. RELEASED FOR PUBLICATION
 © COPYRIGHT BY TYCO ELECTRONICS CORPORATION. ALL RIGHTS RESERVED.

LOC	DIST	REVISIONS					
FT	0	P	LTR	DESCRIPTION	DATE	DWN	APVD
			C	REVISED PER ECO-10-004812	04MAY10	HMR	CR

MATERIALS:
 HOUSING: THERMOPLASTIC, UL94V-0, BLACK.
 TERMINAL: BRIGHT TIN OVER COPPER ALLOY.
 SCREWS: 8-32, ZINC PLATED STEEL.

ELECTRICAL:
 CURRENT RATING: 30A
 VOLTAGE RATING: 600V
 WIRE RANGE: 10-18 AWG (UL)
 10-22 AWG (CSA)

MECHANICAL:
 RECOMMENDED TORQUE: 20 IN-LB.
 OPERATING TEMP.: -40°C TO +120°C MAX.



8.823	18	8QCV-18-006	1-1546584-8
8.385	17	8QCV-17-006	1-1546584-7
7.948	16	8QCV-16-006	1-1546584-6
7.510	15	8QCV-15-006	1-1546584-5
7.073	14	8QCV-14-006	1-1546584-4
6.635	13	8QCV-13-006	1-1546584-3
6.198	12	8QCV-12-006	1-1546584-2
5.760	11	8QCV-11-006	3-1437659-1
5.323	10	8QCV-10-006	3-1437659-0
4.885	9	8QCV-09-006	1546584-9
4.448	8	8QCV-08-006	9-1546159-9
4.010	7	8QCV-07-006	1546584-7
3.573	6	8QCV-06-006	9-1546159-8
3.135	5	8QCV-05-006	2-1437659-2
2.698	4	8QCV-04-006	2-1437659-0
2.260	3	8QCV-03-006	9-1546159-5
1.823	2	8QCV-02-006	1-1437659-1
DIM L	NO OF POS	CATALOG NUMBER	TE NUMBER

THIS DRAWING IS A CONTROLLED DOCUMENT.		DWN	S SCHLEGEL	10/25/06	Tyco Electronics Corporation Harrisburg, PA 17105-3608		
DIMENSIONS: INCHES		CHK	S YODER	10/25/06			
TOLERANCES UNLESS OTHERWISE SPECIFIED:		APVD	S YODER	10/25/06	NAME		
0 PLC ± - 1 PLC ± - 2 PLC ± .01 3 PLC ± .005 4 PLC ± - ANGLES ± 1°		PRODUCT SPEC		8QCV-XX-006 ASSEMBLY			
MATERIAL		APPLICATION SPEC		SIZE	CAGE CODE	DRAWING NO	RESTRICTED TO
FINISH		WEIGHT		A3	00779	C-1-1437659-1	-
CUSTOMER DRAWING				SCALE	1:1	SHEET	1 OF 1
				REV		C	

Mouser Electronics

Authorized Distributor

Click to View Pricing, Inventory, Delivery & Lifecycle Information:

[TE Connectivity:](#)

[8QCV-10-006](#)