

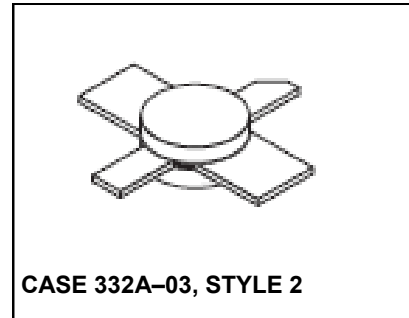
Class A, Class AB Microwave Power Silicon NPN Transistor 0.7 W, 960–1215 MHz, 18V

Rev. V1

Features

- Guaranteed performance @ 1090 MHz, 18 Vdc — Class A
- Output power: 0.2W
- Minimum gain: 10dB
- 100% tested for load mismatch at all phase angles with 10:1 VSWR
- Industry standard package
- Nitride passivated
- Gold metallized, emitter ballasted for long life and resistance to metal migration
- Internal input matching for broadband operation

Product Image



Description and Applications

Designed for Class A and AB common emitter amplifier applications in the low-power stages of IFF, DME, TACAN, radar transmitters, and CW systems.

MAXIMUM RATINGS

Rating	Symbol	Value	Unit
Collector–Emitter Voltage	V_{CEO}	20	Vdc
Collector–Base Voltage	V_{CBO}	50	Vdc
Emitter–Base Voltage	V_{EBO}	3.5	Vdc
Collector Current — Continuous	I_C	200	mAdc
Total Device Dissipation @ $T_C = 25^\circ\text{C}$ (1) Derate above 25°C	P_D	7.0 40	Watts mW/ $^\circ\text{C}$

THERMAL CHARACTERISTICS

Characteristic	Symbol	Max	Unit
Thermal Resistance, Junction to Case (2)	$R_{\theta JC}$	25	$^\circ\text{C/W}$

ELECTRICAL CHARACTERISTICS ($T_C = 25^\circ\text{C}$ unless otherwise noted.)

Characteristic	Symbol	Min	Typ	Max	Unit
----------------	--------	-----	-----	-----	------

OFF CHARACTERISTICS

Collector–Emitter Breakdown Voltage ($I_C = 5.0$ mAdc, $I_B = 0$)	$V_{(BR)CEO}$	20	—	—	Vdc
Collector–Emitter Breakdown Voltage ($I_C = 5.0$ mAdc, $V_{BE} = 0$)	$V_{(BR)CES}$	50	—	—	Vdc
Collector–Base Breakdown Voltage ($I_C = 5.0$ mAdc, $I_E = 0$)	$V_{(BR)CBO}$	50	—	—	Vdc
Emitter–Base Breakdown Voltage ($I_E = 1.0$ mAdc, $I_C = 0$)	$V_{(BR)EBO}$	3.5	—	—	Vdc
Collector Cutoff Current ($V_{CB} = 20$ Vdc, $I_E = 0$)	I_{CBO}	—	—	0.5	mAdc

ON CHARACTERISTICS

DC Current Gain ($I_C = 100$ mAdc, $V_{CE} = 5.0$ Vdc)	h_{FE}	10	—	100	—
--	----------	----	---	-----	---

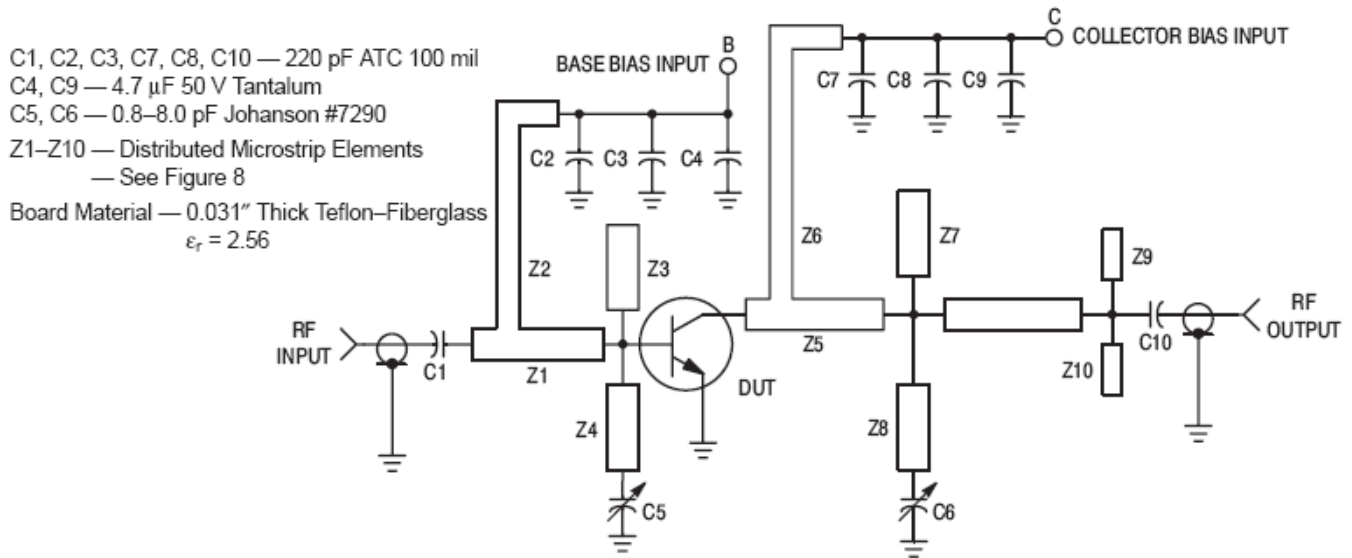
1. These devices are designed for RF operation. The total device dissipation rating applies only when the device is operated as RF amplifiers.
2. Thermal Resistance is determined under specified RF operating conditions by infrared measurement techniques.

Class A, Class AB Microwave Power Silicon NPN Transistor 0.7 W, 960–1215 MHz, 18V

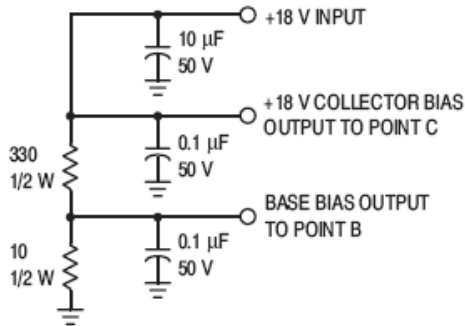
Rev. V1

ELECTRICAL CHARACTERISTICS — continued ($T_C = 25^\circ\text{C}$ unless otherwise noted.)

Characteristic	Symbol	Min	Typ	Max	Unit
DYNAMIC CHARACTERISTICS					
Output Capacitance ($V_{CB} = 28\text{ Vdc}$, $I_E = 0$, $f = 1.0\text{ MHz}$)	C_{ob}	—	2.0	5.0	pF
FUNCTIONAL TESTS					
Common-Emitter Power Gain — Class A ($V_{CE} = 18\text{ Vdc}$, $I_C = 100\text{ mAdc}$, $f = 1090\text{ MHz}$, $P_{out} = 200\text{ mW}$)	G_{PE}	10	12	—	dB
Common-Emitter Power Gain — Class AB ($V_{CE} = 18\text{ Vdc}$, $I_{CQ} = 10\text{ mAdc}$, $f = 1090\text{ MHz}$, $P_{out} = 0.7\text{ W}$)	G_{PE}	—	10.7	—	dB
Load Mismatch — Class A ($V_{CE} = 18\text{ Vdc}$, $I_C = 100\text{ mAdc}$, $f = 1090\text{ MHz}$, $P_{out} = 200\text{ mW}$, VSWR = 10:1 All Phase Angles)	ψ	No Degradation in Power Output			



Class AB Bias Control Circuit
18 V Output I_{CQ} 10 mA Nominal



Class A Constant Current Bias Control Circuit
 $I_C = 100\text{ mA}$, $V_{CE} = 18\text{ V}$

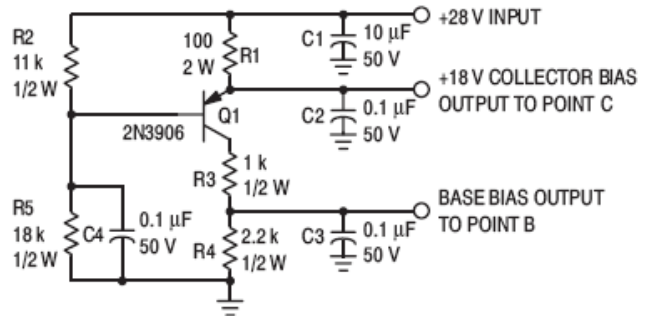


Figure 1. 1090 MHz Test Circuit

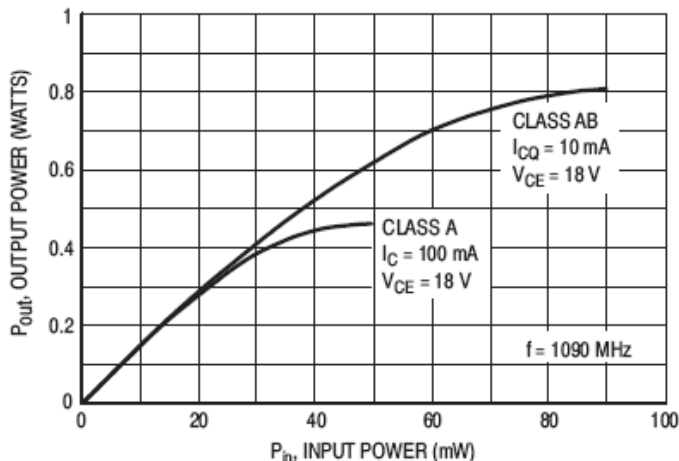


Figure 2. Output Power versus Input Power

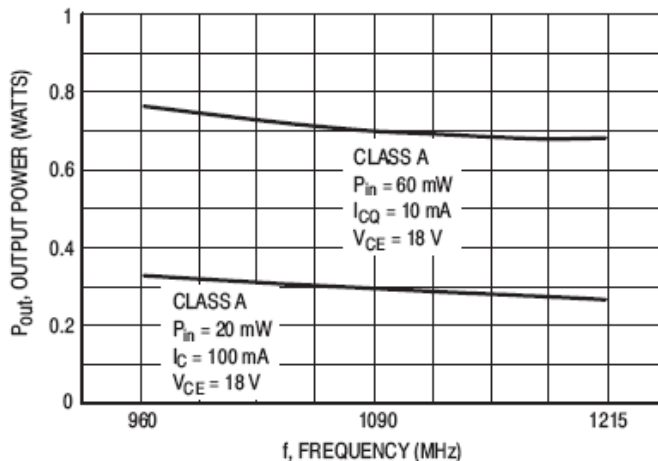


Figure 3. Output Power versus Frequency

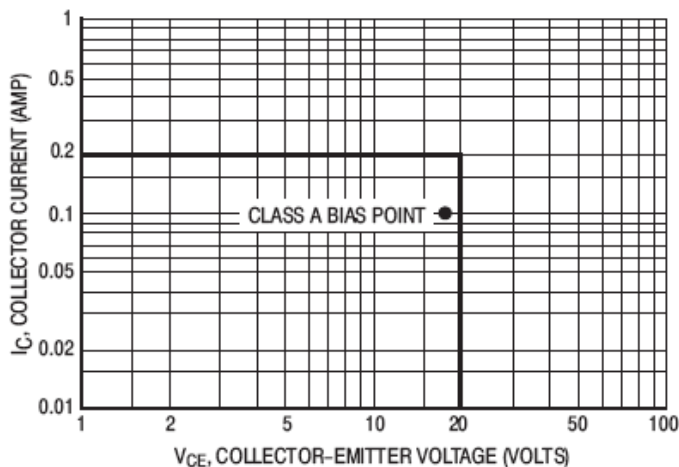


Figure 4. DC Safe Operating Area

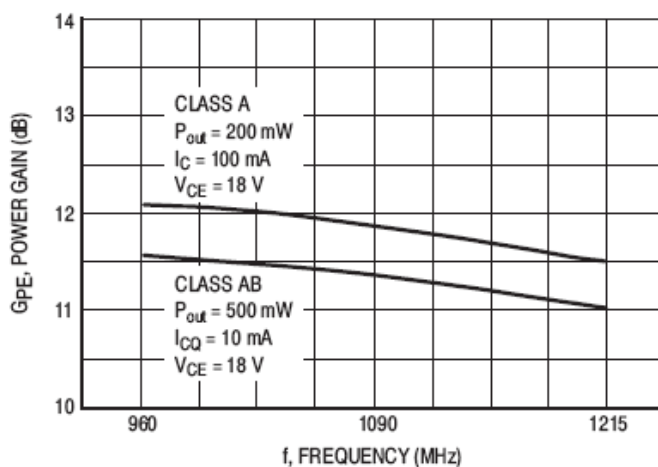
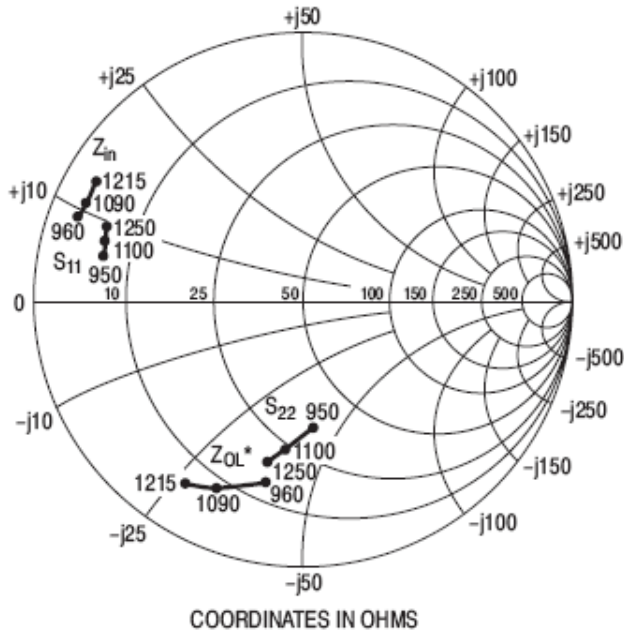


Figure 5. Power Gain versus Frequency

Class A, Class AB Microwave Power Silicon NPN Transistor 0.7 W, 960–1215 MHz, 18V

Rev. V1



SERIES EQUIVALENT IMPEDANCES

$P_{out} = 0.5 \text{ W}$, $V_{CE} = 18 \text{ Vdc}$,
 $I_{CQ} = 10 \text{ mA dc}$, Class AB

f MHz	Z_{in} Ohms	Z_{OL}^* Ohms
960	$3.0 + j9.0$	$16 - j40$
1090	$3.2 + j10$	$8.5 - j31$
1215	$2.8 + j12$	$7.0 - j26$

Z_{OL}^* = Conjugate of the optimum load impedance into which the device output operates at a given output power, voltage, and frequency.

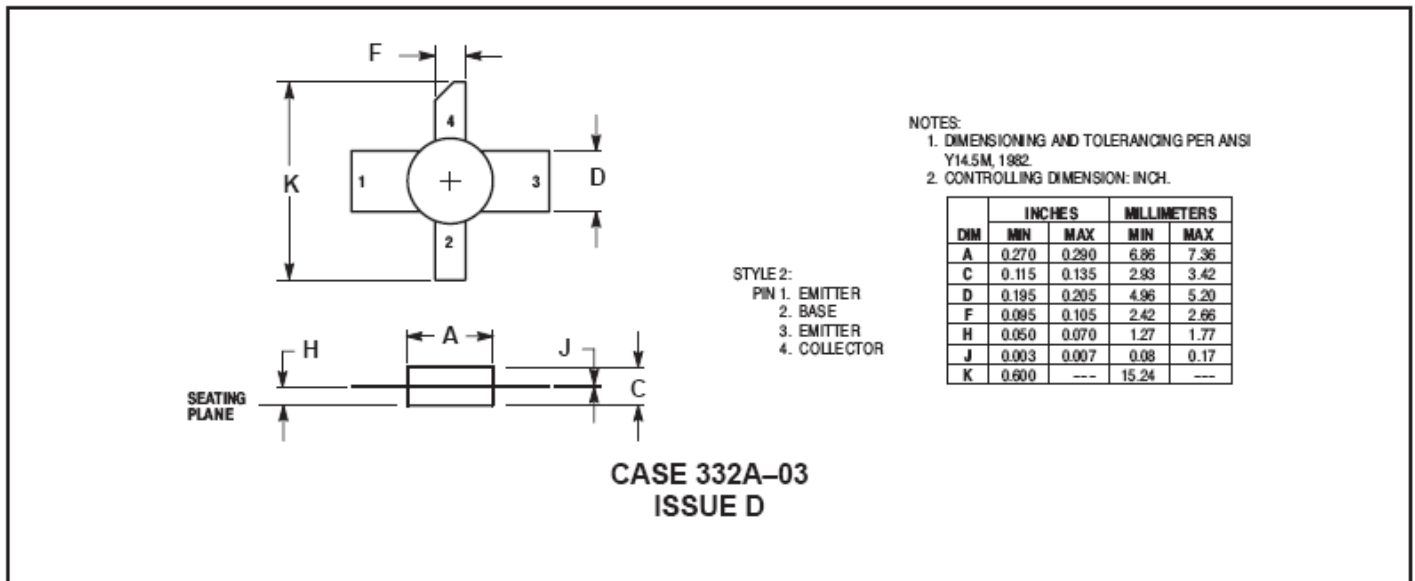
S-PARAMETERS — $V_{CE} = 18 \text{ Vdc}$, $I_C = 100 \text{ mA dc}$, Class A

f (MHz)	S_{11}		S_{21}		S_{12}		S_{22}	
	$ S_{11} $	$\angle \phi$	$ S_{21} $	$\angle \phi$	$ S_{12} $	$\angle \phi$	$ S_{22} $	$\angle \phi$
950	0.77	166	2.42	40	0.016	42	0.48	-87
1000	0.78	165	2.36	38	0.016	48	0.50	-90
1050	0.77	163	2.31	33	0.016	46	0.51	-94
1100	0.77	162	2.31	28	0.016	46	0.54	-97
1150	0.78	161	2.20	23	0.015	46	0.57	-100
1200	0.78	159	2.20	19	0.016	47	0.59	-103
1250	0.78	158	2.12	12	0.016	42	0.61	-106

Figure 6. Common-Emitter S-Parameters and Series Equivalent Input/Output Impedances

Replaces MRF1000MA/D

PACKAGE DIMENSIONS



M/A-COM Technology Solutions Inc. All rights reserved.

Information in this document is provided in connection with M/A-COM Technology Solutions Inc ("MACOM") products. These materials are provided by MACOM as a service to its customers and may be used for informational purposes only. Except as provided in MACOM's Terms and Conditions of Sale for such products or in any separate agreement related to this document, MACOM assumes no liability whatsoever. MACOM assumes no responsibility for errors or omissions in these materials. MACOM may make changes to specifications and product descriptions at any time, without notice. MACOM makes no commitment to update the information and shall have no responsibility whatsoever for conflicts or incompatibilities arising from future changes to its specifications and product descriptions. No license, express or implied, by estoppel or otherwise, to any intellectual property rights is granted by this document.

THESE MATERIALS ARE PROVIDED "AS IS" WITHOUT WARRANTY OF ANY KIND, EITHER EXPRESS OR IMPLIED, RELATING TO SALE AND/OR USE OF MACOM PRODUCTS INCLUDING LIABILITY OR WARRANTIES RELATING TO FITNESS FOR A PARTICULAR PURPOSE, CONSEQUENTIAL OR INCIDENTAL DAMAGES, MERCHANTABILITY, OR INFRINGEMENT OF ANY PATENT, COPYRIGHT OR OTHER INTELLECTUAL PROPERTY RIGHT. MACOM FURTHER DOES NOT WARRANT THE ACCURACY OR COMPLETENESS OF THE INFORMATION, TEXT, GRAPHICS OR OTHER ITEMS CONTAINED WITHIN THESE MATERIALS. MACOM SHALL NOT BE LIABLE FOR ANY SPECIAL, INDIRECT, INCIDENTAL, OR CONSEQUENTIAL DAMAGES, INCLUDING WITHOUT LIMITATION, LOST REVENUES OR LOST PROFITS, WHICH MAY RESULT FROM THE USE OF THESE MATERIALS.

MACOM products are not intended for use in medical, lifesaving or life sustaining applications. MACOM customers using or selling MACOM products for use in such applications do so at their own risk and agree to fully indemnify MACOM for any damages resulting from such improper use or sale.