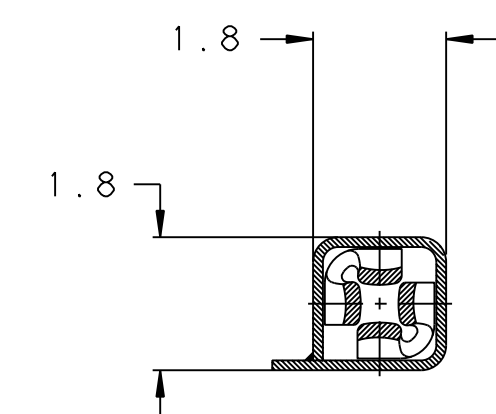
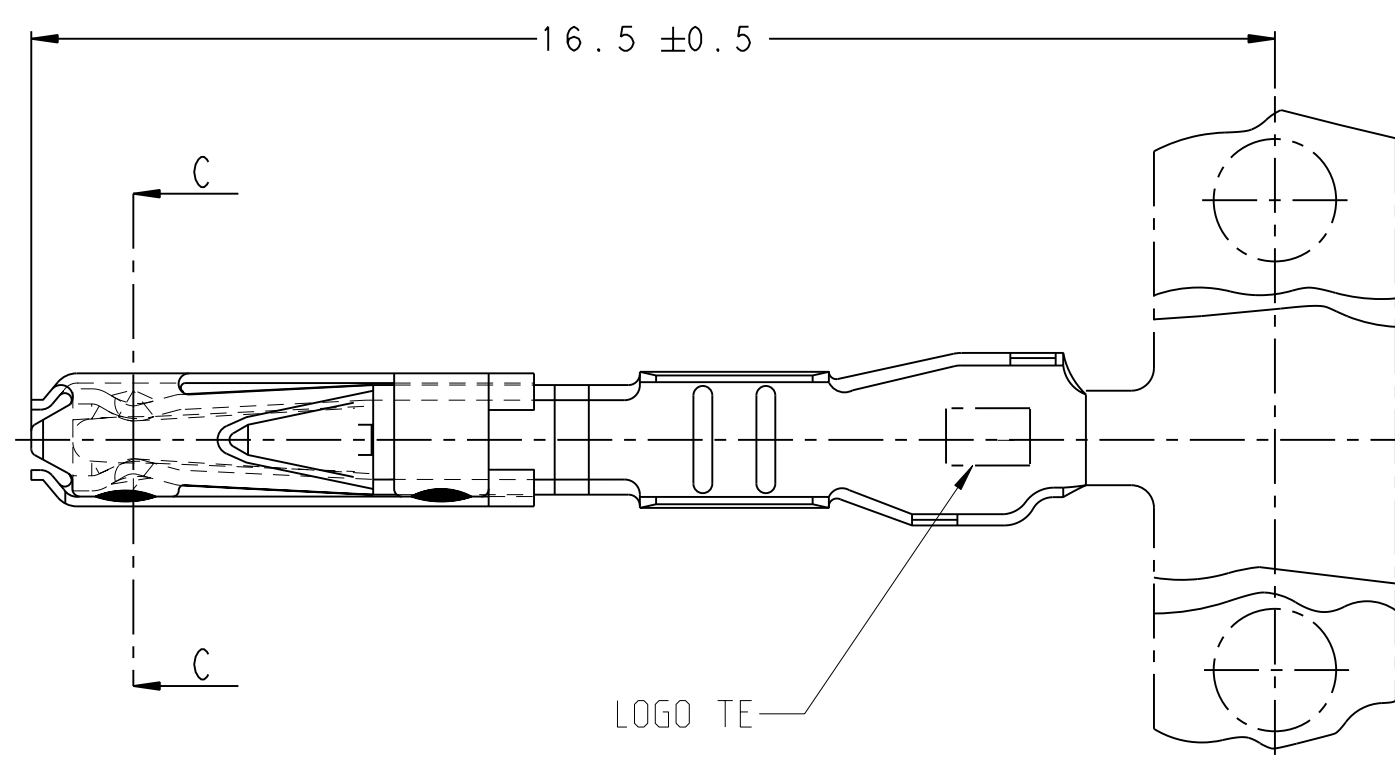
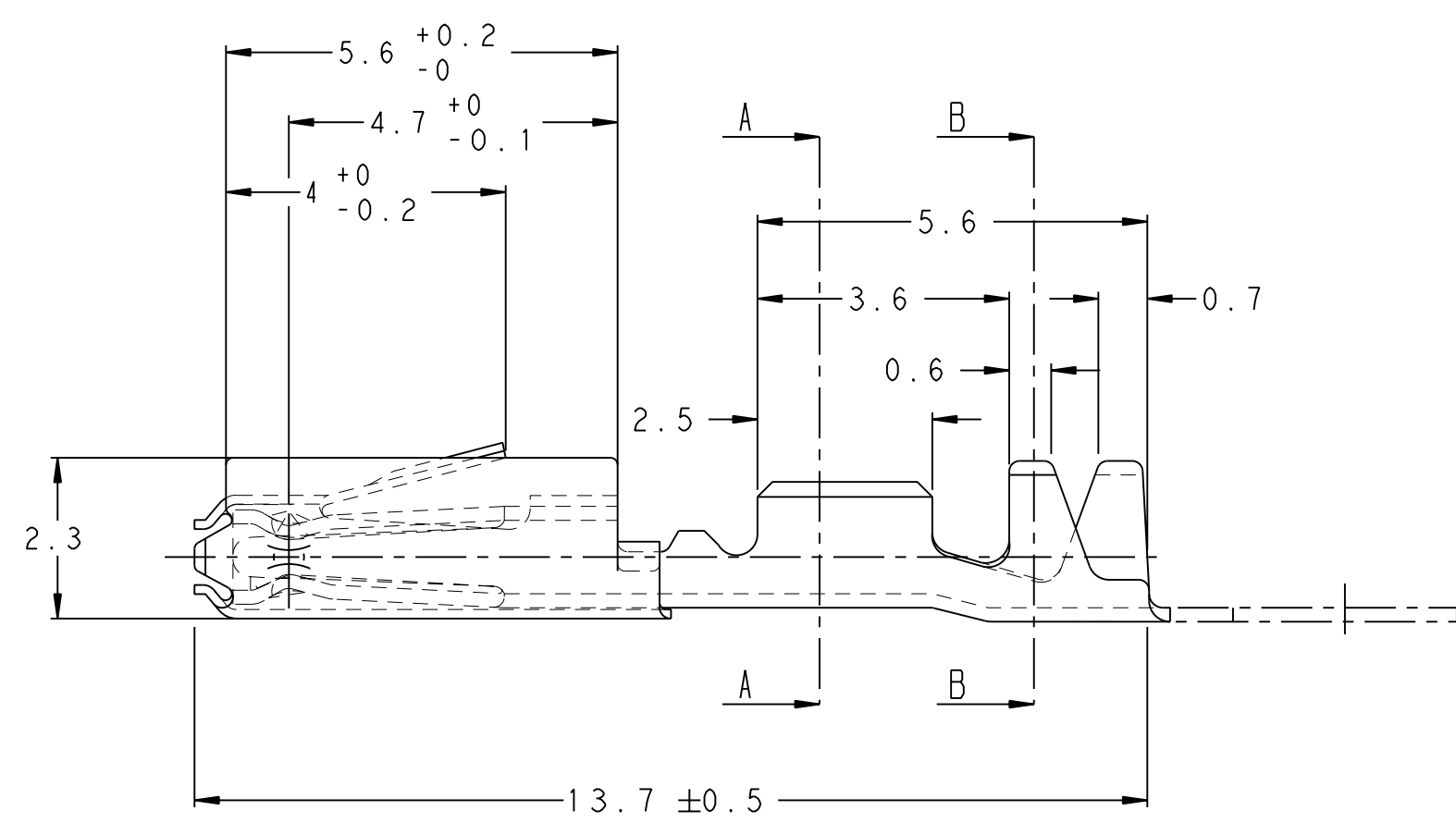
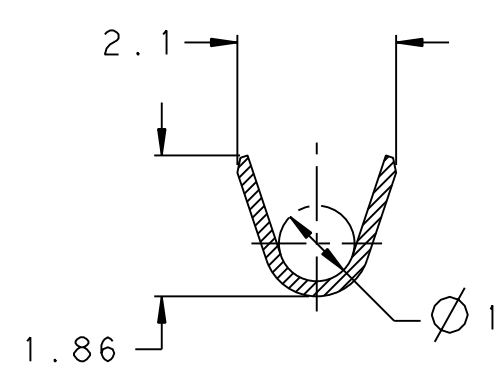


THIS DRAWING IS UNPUBLISHED. RELEASED FOR PUBLICATION 20
 © COPYRIGHT 20 BY - ALL RIGHTS RESERVED.

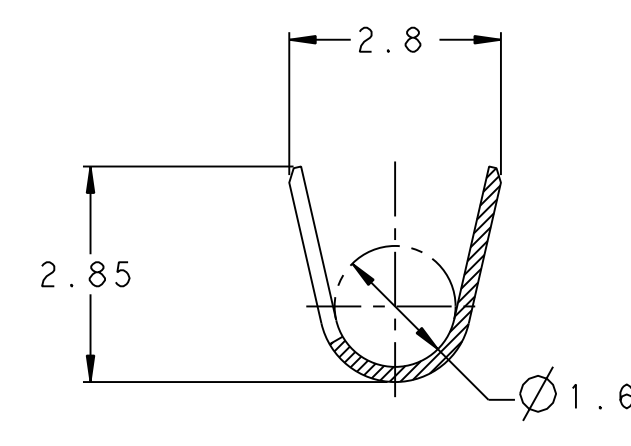
LOC		DIST		REVISIONS			
P	LTR	DESCRIPTION	DATE	DWN	APVD		
	C	REVISED PER ECR-12-010158	04 JUN 2012	AR	XR		



SECTION CC

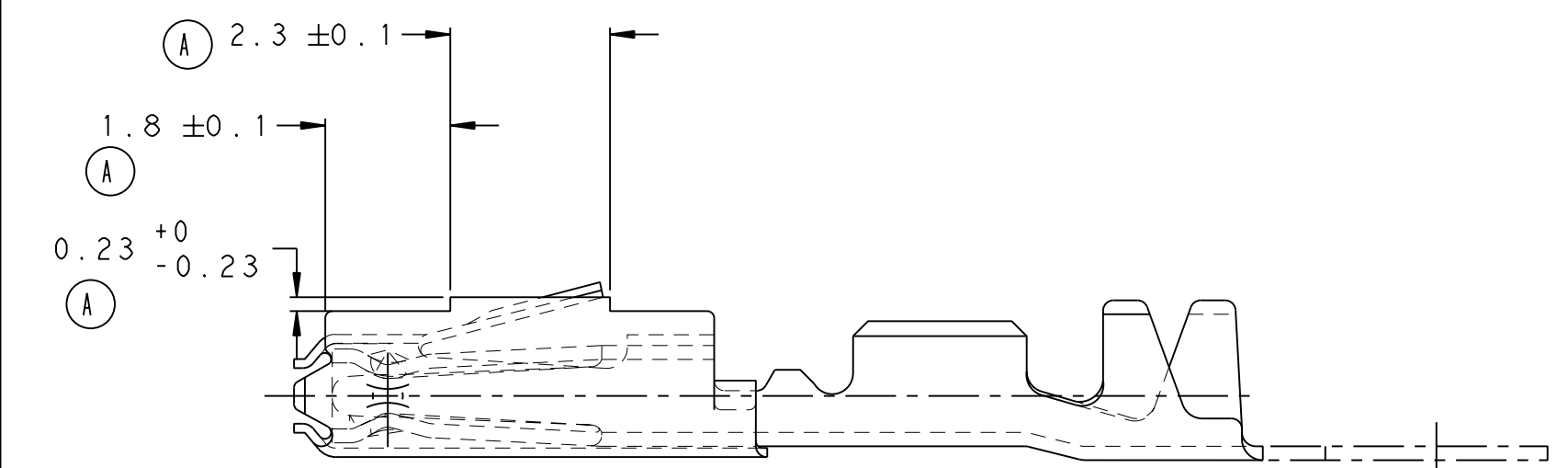


SECTION AA



SECTION BB

144969-2 AS SHOWN



FOR PN 144969-1 / -3 / -4
 SAME DIMENSIONS AND DESIGN
 AS 144969-2 EXCEPTED AS SHOWN.

PART NUMBER	4 CONTACT POINTS	CAGE INOX SPRING	CRIMP AREA
144969-4	Sn 0.8 to 2 μm	Au 0.4 to 0.8 μm	Sn 0.8 to 3.3 μm
144969-3	Au 0.4 to 0.8 μm	Sn 0.8 to 3.3 μm	Sn 0.8 to 3.3 μm
144969-2	Au 0.4 to 0.8 μm	Au 0.4 to 0.8 μm	Sn 0.8 to 3.3 μm
144969-1	Sn 0.8 to 2 μm PRETINNED	Sn 0.8 to 2 μm PRETINNED	Sn 0.8 to 2 μm PRETINNED

THIS DRAWING IS A CONTROLLED DOCUMENT.

DWN	A. ROSI	04 JUN 2012	 TE Connectivity	NAME CLIP MQS A SERTIR (0.2-0.6 SQ mm) MQS RECEPTACLE WITH BARRIER CRIMP VERSION				
CHK	X. ROUILLARD	04 JUN 2012						
APVD	J. DAHER	05 JUN 2012						
PRODUCT SPEC	108-18030							
APPLICATION SPEC	114-15077		SIZE	CAGE CODE	DRAWING NO	RESTRICTED TO		
MATERIAL	VOIR TABLEAU	VOIR TABLEAU	WEIGHT	0.2g	A2 00779	©=144969	-	
CUSTOMER DRAWING			SCALE	1:1	SHEET	1 OF 1	REV	C

Mouser Electronics

Authorized Distributor

Click to View Pricing, Inventory, Delivery & Lifecycle Information:

[TE Connectivity:](#)

[144969-2](#) [144969-2 \(Cut Strip\)](#)