

PLEASE CHECK WWW.MOLEX.COM FOR LATEST PART INFORMATION

Part Number: [0950092647](#)
Status: **Active**
Overview: Magnetic and Modular Jacks/Plugs
Description: Modular Jack, Right-Angle, Through Hole, 6/4

Documents:

[3D Model](#) [RoHS Certificate of Compliance \(PDF\)](#)
[Drawing \(PDF\)](#) [Product Literature \(PDF\)](#)
[Packaging Specification PK-95029-001 \(PDF\)](#)

Agency Certification

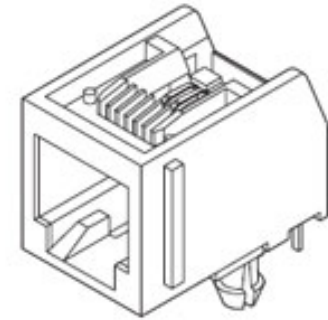
UL E107635

General

Product Family Modular Jacks/Plugs
 Series [95009](#)
 Comments Flangeless, Flangeless
 Component Type PCB Jack
 Magnetic No
 Overview Magnetic and Modular Jacks/Plugs
 Performance Category 3
 Power over Ethernet (PoE) N/A
 Product Literature Order No 987650-8441
 Product Name Modular Jack 6/4
 UPC 800753866034

Physical

Boot Color N/A
 Color - Resin Black
 Durability (mating cycles max) 2500
 Flammability 94V-0
 Inverted / Top Latch No
 Jack Height 16.00mm
 Lightpipes/LEDs None
 Material - Metal Copper Alloy
 Material - Plating Mating Gold over Palladium Nickel
 Material - Plating Termination Tin
 Material - Resin High Temperature Thermoplastic
 Net Weight 2.110/g
 Orientation Right Angle (Side Entry)
 PCB Locator Yes
 PCB Retention Yes
 PCB Thickness - Recommended 1.57mm
 Packaging Type Tray
 Panel Mount Without Flange
 Pitch - Mating Interface 1.02mm
 Pitch - Termination Interface 1.27mm
 Plating min - Mating 1.270µm
 Plating min - Termination 1.905µm
 Port Configuration 1x1
 Positions / Loaded Contacts 6/4
 Surface Mount Compatible (SMC) No
 Temperature Range - Operating -40° to +80°C
 Termination Interface: Style Through Hole
 Waterproof / Dustproof No
 Wire/Cable Type N/A



Series image - Reference only

EU ELV

Not Relevant

EU RoHS

Compliant

REACH SVHC

Not Contained Per -
 ED/71/2019 (16 July
 2019)

Halogen-Free

Status

Not Low-Halogen

For more information, please visit [Contact US](#)

China ROHS

ELV

RoHS Phthalates

Green Image

Not Relevant

Not Contained

Search Parts in this Series

[95009 Series](#)

Mates With

FCC 68 Plugs

Electrical

Current - Maximum per Contact

1.5A

Shielded

No

Voltage - Maximum

125V DC

Material Info**Reference - Drawing Numbers**

Packaging Specification

PK-95029-001

Sales Drawing

SDA-95009-F-001

This document was generated on 09/21/2019

PLEASE CHECK WWW.MOLEX.COM FOR LATEST PART INFORMATION

Mouser Electronics

Authorized Distributor

Click to View Pricing, Inventory, Delivery & Lifecycle Information:

[Molex:](#)

[95009-2647](#)