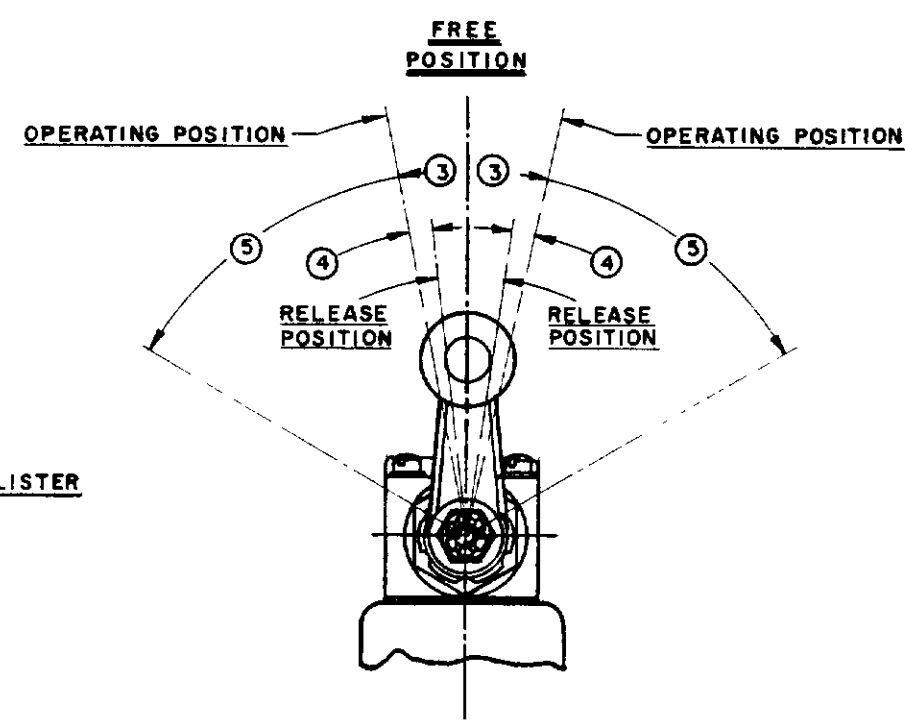
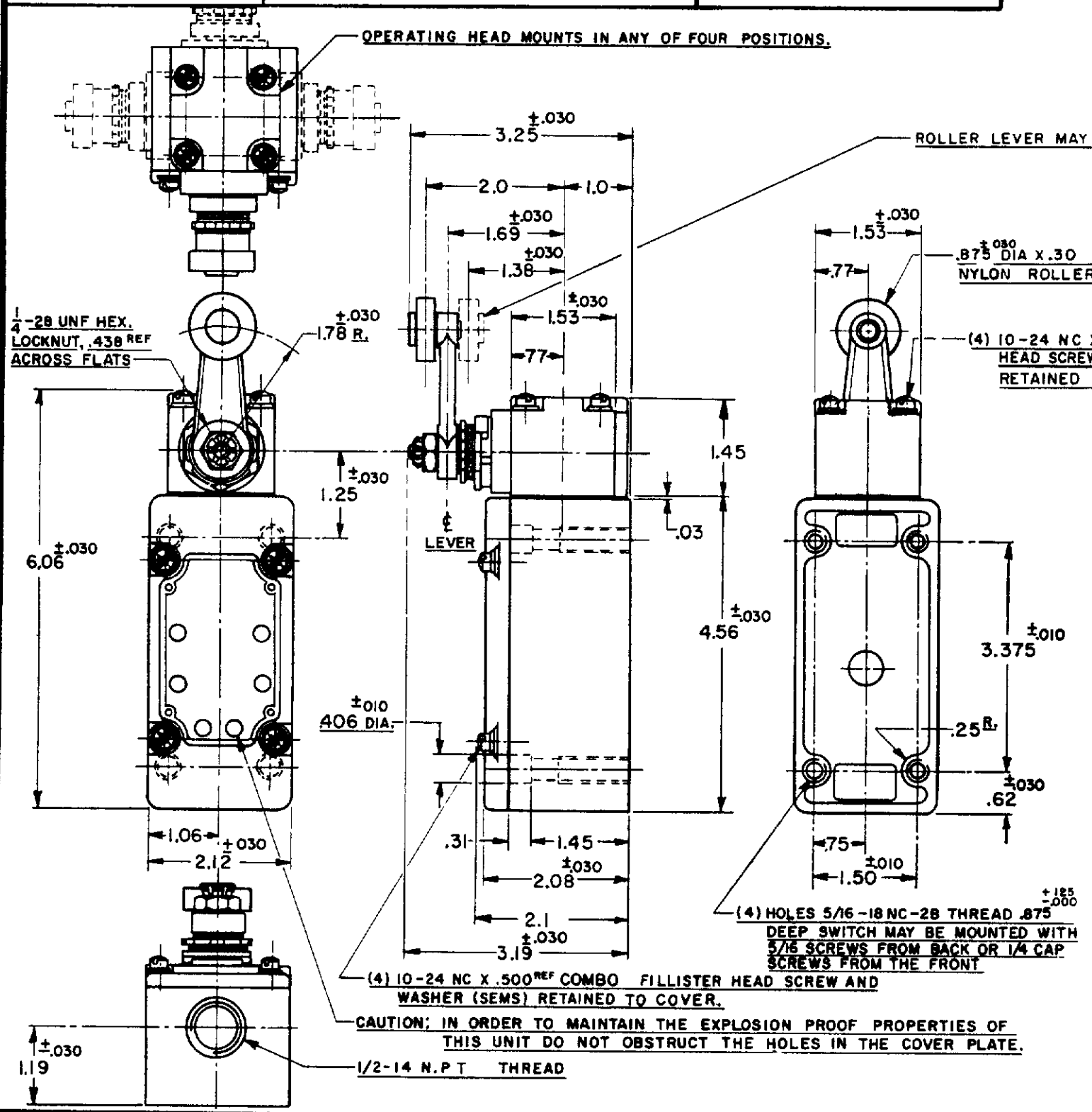


DRAWING NUMBER	ISSUE	M	151ML1-E1	REPLACES	SR 7299
		NK		FEB 58	
		NK		FEB 58	
		B		FEB 58	
		B		FEB 58	
REVISIONS		CHECK	DATE		
A	CORR				
B	CO12789				
C	CO13022				
D	CO13407				
E	CO18841				
F	CO20878				
G	CO24575				
H	CO2794-D				
J	CO38367				
K	CO55051-C				
L	CO63739				
M	CO74287				
R.E.R. 4 FEB. 58					



NOTES

1 - LISTED BY UNDERWRITERS LABORATORY, INC. FOR USE IN CLASS 1, GROUPS C AND D VAPOR - AIR ATMOSPHERE, AND CLASS 2 GROUPS E, F AND G DUST - AIR ATMOSPHERES

2 SWITCH IS ASSEMBLED FOR ACTUATION IN EITHER DIRECTION TO CONVERT SWITCH FOR ACTUATION EITHER CLOCKWISE OR COUNTER-CLOCKWISE DIRECTION ONLY, REMOVE THE HEAD AND SLIDE THE CAM TOWARD THE REAR OF THE HEAD SUFFICIENTLY TO DISENGAGE FROM THE FLATS ON THE SHAFT. ROTATE THE CAM 90° IN THE OPPOSITE DIRECTION OF THE ACTUATION DESIRED AND RE-ENGAGE THE CAM WITH THE FLATS ON THE SHAFT

3

4 - LEVER MAY BE POSITIVELY LOCKED AT INTERVALS OF APPROX 0.4° (870 POSITIONS)

5 - LEVER MAY BE ADJUSTED TO ACTUATE THE SWITCH IN THE CLOCKWISE DIRECTION ONLY, THE COUNTER-CLOCKWISE DIRECTION ONLY, OR IN BOTH DIRECTIONS

6 - IT IS ESSENTIAL THAT THE CONDUIT OPENING BE PROPERLY SEALED IN ORDER TO MAINTAIN THE EXPLOSION PROOF PROPERTIES

CHARACTERISTICS		ELECTRICAL DATA	
OPERATING FORCE-----	3 LBS. MAX.	CONTACT ARRANGEMENT	TWO CIRCUIT DOUBLE THROW DOUBLE BREAK
FULL OVERTRAVEL FORCE---(A)	4 LBS. MAX.		
RELEASE FORCE-----	1/4 LB. MIN.		
PRETRAVEL-----	(3) 15° MAX.		
DIFFERENTIAL TRAVEL---	(4) 7° MAX.		
OVERTRAVEL-----	(5) 60° MIN.		
SWITCH-BASIC REPLACEMENT-----			
		10A-120, 240, OR 480 VAC, 1/2 H.P.-120 VAC 1 H.P.-240 VAC, 0.8 A-115 VDC, 0.4 A-230 VDC PILOT DUTY, 720 VA HEAVY DUTY 600 VAC MAX	

SCALE 1/2 TO 1
DO NOT SCALE PRINT
UNLESS OTHERWISE SPECIFIED DIMENSIONS ARE IN INCHES
TOLERANCES ARE.
ONE PLACE (.0) ±.030
TWO PLACE (.00) ±.018
THREE PLACE (.000) ±.008
ANGLES ±
WEIGHT

Mouser Electronics

Authorized Distributor

Click to View Pricing, Inventory, Delivery & Lifecycle Information:

[Honeywell:](#)

[151ML1-E1](#)