

Isolation amplifier - MACX MCR-EX-SL-NAM-2T-SP - 2924074

Please be informed that the data shown in this PDF Document is generated from our Online Catalog. Please find the complete data in the user's documentation. Our General Terms of Use for Downloads are valid (<http://phoenixcontact.com/download>)




Ex i NAMUR isolating amplifier For operating proximity sensors and switches in Ex areas. The signals are transmitted via 2 transistor outputs (passive) to the safe area. Line fault detection (LFD), 3-way isolation, SIL 2.

Why buy this product

- ✓ Power supply and error indication possible via DIN rail connector
- ✓ Up to SIL 2 according to EN 61508
- ✓ Installation in zone 2, protection type "n" (EN 60079-15) permitted
- ✓ Signal output 2 can also be used as an error signaling output
- ✓ Line fault detection (LFD), can be activated/deactivated, error indicated by red flashing LED with disabling of transistor output
- ✓ Direction of operation can be selected (operating or closed circuit current behavior)
- ✓ 2 transistor signal outputs (passive); up to 5 kHz
- ✓ 4-way electrical isolation
- ✓ Input for NAMUR proximity sensors (EN 60947-5-6), floating contacts or contacts with resistance circuit, [Ex ia] IIC
- ✓ LED indicators for supply voltage, switching state, and malfunction according to NAMUR NE 44



Key Commercial Data

Packing unit	1 pc
GTIN	 4 046356 337366
GTIN	4046356337366

Technical data

Note

Utilization restriction	EMC: class A product, see manufacturer's declaration in the download area
-------------------------	---

Dimensions

Width	12.5 mm
Height	99 mm

Isolation amplifier - MACX MCR-EX-SL-NAM-2T-SP - 2924074

Technical data

Dimensions

Depth	114.5 mm
-------	----------

Ambient conditions

Ambient temperature (operation)	-20 °C ... 60 °C (Any mounting position)
Ambient temperature (storage/transport)	-40 °C ... 80 °C
Maximum altitude	≤ 2000 m
Permissible humidity (operation)	10 % ... 95 % (non-condensing)
Noise immunity	EN 61000-6-2

Input data

Non-load voltage	~ 8 V DC
Switching points (attenuated)	< 1.2 mA (blocking)
Switching points (unattenuated)	> 2.1 mA (conductive)
Signal input	Intrinsically safe
Available input sources	NAMUR proximity sensors (EN 60947-5-6)
Short-circuit current	~ 8 mA
Switching hysteresis	< 0.2 mA
Line fault detection	Break 0.05 mA < IIN < 0.35 mA
	Short circuit 100 Ω < RSensor < 360 Ω

Output data

Switching output	2 transistor outputs, passive
Minimum switching voltage	3 V DC
Maximum switching voltage	30 V DC
Min. contact current	5 mA (short-circuit resistant)
Max. switching current	50 mA (short-circuit resistant)
Switching frequency	≤ 5 kHz

Power supply

Nominal supply voltage	24 V DC
Supply voltage range	19.2 V DC ... 30 V DC (24 V DC -20%...+25%)
Max. current consumption	< 28 mA (24 V DC)
Power dissipation	≤ 800 mW
Power consumption	≤ 800 mW

Connection data

Conductor cross section solid min.	0.2 mm ²
Conductor cross section solid max.	1.5 mm ²
Conductor cross section flexible min.	0.2 mm ²
Conductor cross section flexible max.	1.5 mm ²
Conductor cross section AWG min.	24
Conductor cross section AWG max.	16
Stripping length	8 mm

Isolation amplifier - MACX MCR-EX-SL-NAM-2T-SP - 2924074

Technical data

Connection data

Connection method	Push-in connection
-------------------	--------------------

General

No. of channels	1
Status display	Green LED (supply voltage)
	LED yellow (switching state)
	Red LED (line errors)
Flammability rating according to UL 94	V0
Degree of pollution	2
Overvoltage category	II
Electromagnetic compatibility	Conformance with EMC directive
Interference emission	EN 61000-6-4
Housing material	PA 6.6-FR
Color	green
Designation	Input/output
Electrical isolation	375 V (Peak value in accordance with EN 60079-11)
Designation	Input/output/supply, DIN rail connector
Electrical isolation	300 V _{rms} (Rated insulation voltage (overvoltage category II; degree of pollution 2, safe isolation as per EN 61010-1))
	2.5 kV (50 Hz, 1 min., test voltage)
Designation	Input/supply, DIN rail connector
Electrical isolation	375 V (Peak value in accordance with EN 60079-11)
Designation	Output 1/output 2
Electrical isolation	50 V _{rms} (Rated insulation voltage (overvoltage category II; degree of pollution 2, basic insulation as per EN 61010-1))
	1 kV (50 Hz, 1 min., test voltage)
Conformance	CE-compliant, additionally EN 61326
ATEX	# II (1) G [Ex ia Ga] IIC
	# II (1) D [Ex ia Da] IIIC
	# II 3 (1) G Ex nA [ia Ga] IIC T4 Gc
IECEX	[Ex ia Ga] IIC
	[Ex ia Da] IIIC
	Ex nA [ia Ga] IIC T4 Gc
UL, USA/Canada	Class I Div 2; IS for Class I, II, III Div 1
SIL	2

Safety characteristic data

Safety Integrity Level (SIL)	1
	1

Safety data

Max. internal inductance L _i	negligible
Max. internal capacitance C _i	1.1 nF

Isolation amplifier - MACX MCR-EX-SL-NAM-2T-SP - 2924074

Technical data

Safety data

Max. output voltage U_o	9.6 V
Max. output current I_o	10 mA
Max. output power P_o	25 mW
Group	IIC
Max. external inductivity L_o	300 mH
Max. external capacity C_o	3.6 μ F
Group	IIB/IIIC
Max. external inductivity L_o	1000 mH
Max. external capacity C_o	26 μ F
Safety-related maximum voltage U_m	253 V AC (125 V DC)

EMC data

Designation	Electromagnetic RF field
Standards/regulations	EN 61000-4-3
Evaluation criterion	A
Designation	Fast transients (burst)
Standards/regulations	EN 61000-4-4
Evaluation criterion	A
Designation	Conducted interferences
Standards/regulations	EN 61000-4-6
Evaluation criterion	A

Standards and Regulations

Electromagnetic compatibility	Conformance with EMC directive
Noise emission	EN 61000-6-4
Designation	Electromagnetic RF field
Standards/regulations	EN 61000-4-3
Evaluation criterion	A
Standards/regulations	EN 61000-4-4
Designation	Conducted interferences
Standards/regulations	EN 61000-4-6
Evaluation criterion	A
Flammability rating according to UL 94	V0
Conformance	CE-compliant, additionally EN 61326
ATEX	# II (1) G [Ex ia Ga] IIC
	# II (1) D [Ex ia Da] IIIC
	# II 3 (1) G Ex nA [ia Ga] IIC T4 Gc
IECEX	[Ex ia Ga] IIC
	[Ex ia Da] IIIC
	Ex nA [ia Ga] IIC T4 Gc
UL, USA/Canada	Class I Div 2; IS for Class I, II, III Div 1

Isolation amplifier - MACX MCR-EX-SL-NAM-2T-SP - 2924074

Technical data

Standards and Regulations

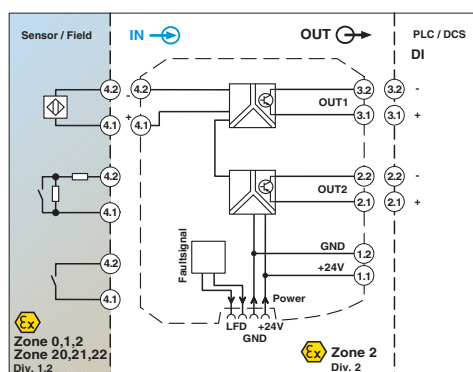
Group	IIC
	IIB/IIIC

Environmental Product Compliance

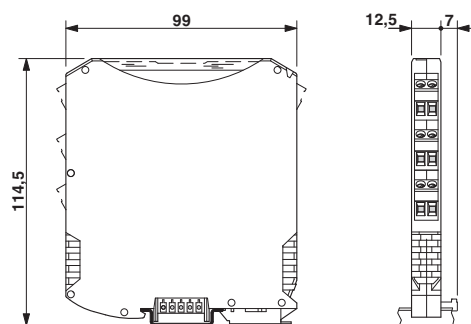
China RoHS	Environmentally Friendly Use Period = 50
	For details about hazardous substances go to tab "Downloads", Category "Manufacturer's declaration"

Drawings

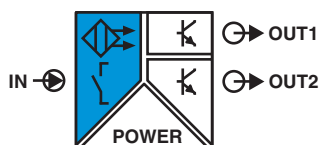
Block diagram



Dimensional drawing



Pictogram



Approvals

Approvals

Approvals

UL Listed / cUL Listed / Functional Safety / DNV GL / cULus Listed


Isolation amplifier - MACX MCR-EX-SL-NAM-2T-SP - 2924074


Approvals

Ex Approvals

UL Listed / cUL Listed / IECEx / ATEX / EAC Ex / cULus Listed

Approval details

UL Listed		http://database.ul.com/cgi-bin/XYV/template/LISEXT/1FRAME/index.htm	FILE E 330267
-----------	---	---	---------------

cUL Listed		http://database.ul.com/cgi-bin/XYV/template/LISEXT/1FRAME/index.htm	FILE E 330267
------------	---	---	---------------

Functional Safety	07-06-39 R006 V1R2
-------------------	--------------------

DNV GL	http://exchange.dnv.com/tari/	TAA00000AG
--------	---	------------

cULus Listed	
--------------	---

Phoenix Contact 2018 © - all rights reserved
<http://www.phoenixcontact.com>

PHOENIX CONTACT GmbH & Co. KG
Flachsmarktstr. 8
32825 Blomberg
Germany
Tel. +49 5235 300
Fax +49 5235 3 41200
<http://www.phoenixcontact.com>

Mouser Electronics

Authorized Distributor

Click to View Pricing, Inventory, Delivery & Lifecycle Information:

[Phoenix Contact:](#)

[2924074](#)