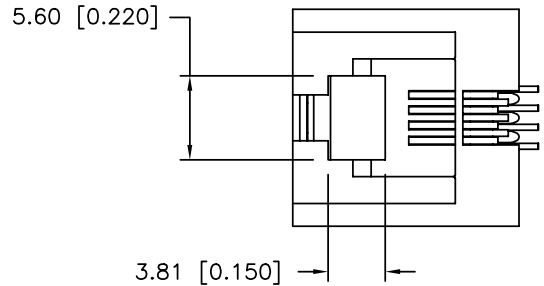
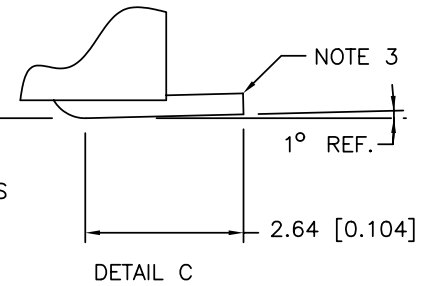
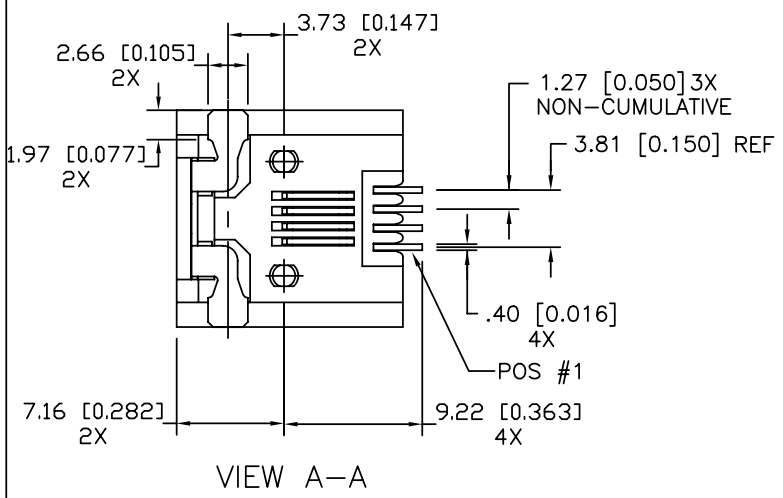
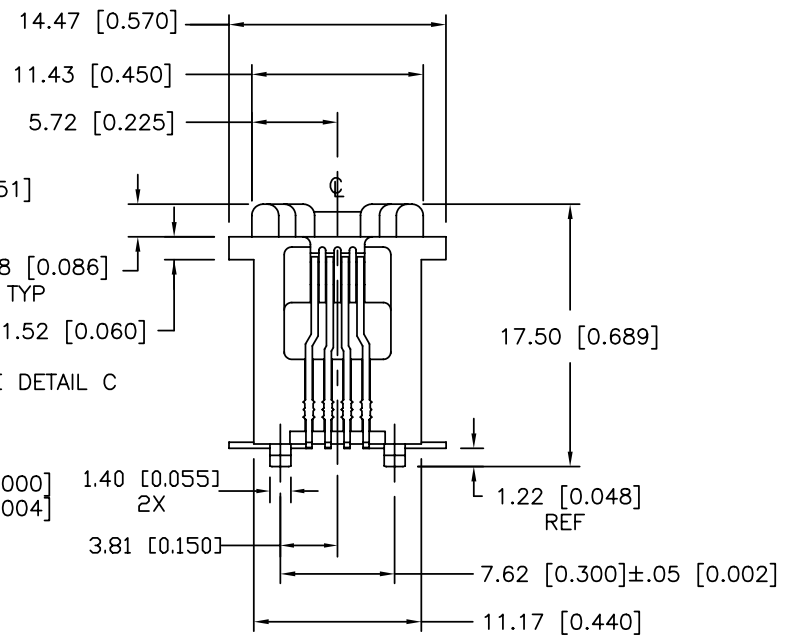
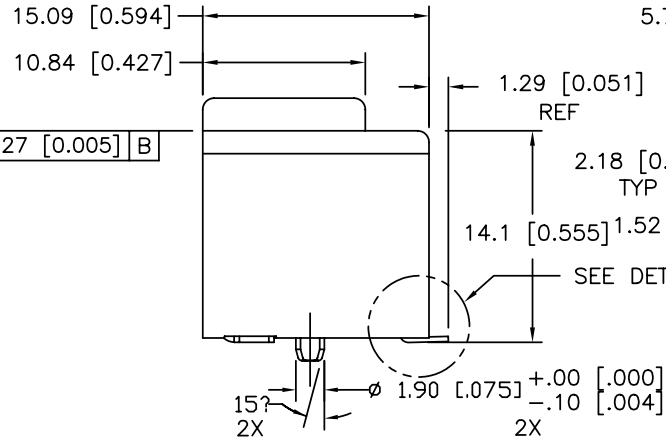
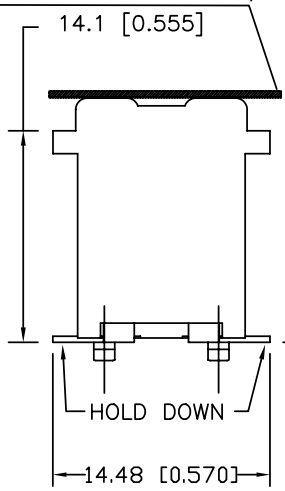


PRODUCT NO.  
SEE TABLE



THE MYLAR SEE NOTE 7 ONLY FOR 87543-XXX1C/XXX1CLF



mat'l. code				tolerances unless otherwise specified			CUSTOMER COPY		FCI www.fciconnect.com	
ltr	ecn no	dr	date	linear	.X±.3/.XX±.01		projection	title A-SMT ASSEMBLY VERT 4 POS		
S	N08-0194	SH	09/08/08		.XX±.13/.XXX±.005					
K	V12666	LP	1/10/02	angles	XXX±.051/.XXX±.0020		MM/INCH	product family MOD JACK size dwg no 213		
L	V21834	LP	12/2/02		0° ±2'					
M	V04-0861	DAI	08/30/04	dr	L.POTTEIGER	12/2/02	scale 1:1	A4 87543 sheet 1 of 2		
N	N05-0035	YS	02/17/05	enr	J.KONTOS	12/2/02				
P	N05-0142	ZC	6/2/05	chr	J.KONTOS	12/2/02	code 213 sheet 1 of 2			
R	N07-0217	WG	09/07/07	appd	J.KONTOS	12/2/02				
sheet index	revision	R	R							
	sheet	1	2							

Tous droits strictement reserves. Reproduction ou communication a des tiers interdite sous quelque forme que ce soit sans autorisation écrite du propriétaire. Propriete de c FCI. Droits de reproduction FCI.

All rights strictly reserved. Reproduction or issue to third parties in any form whatever is not permitted without written authority from the proprietor. Property of FCI. Copyright FCI.





# Mouser Electronics

Authorized Distributor

Click to View Pricing, Inventory, Delivery & Lifecycle Information:

[FCI / Amphenol:](#)

[87543-4114LF](#) [87543-1111LF](#) [87543-1114LF](#) [87543-2111LF](#) [87543-4111CLF](#) [87543-4111LF](#)