

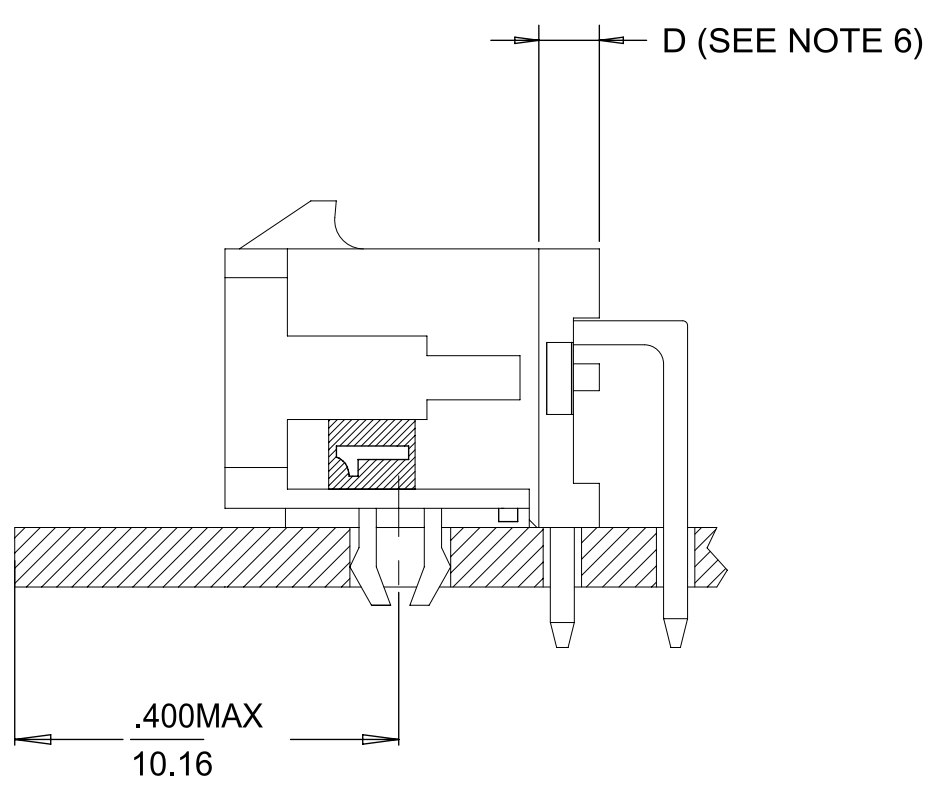
PCB LAYOUT: COMPONENT SIDE  
RECOMMEND PCB THICKNESS: .062/1.57

CKTS	A	B	C
02	.262 6.65	NA	.169 4.30
04	.380 9.65	.118 3.00	.287 7.30
06	.498 12.65	.236 6.00	.405 10.30
08	.616 15.65	.354 9.00	.524 13.30
10	.734 18.65	.472 12.00	.642 16.30
12	.852 21.65	.591 15.00	.760 19.30
14	.970 24.65	.709 18.00	.878 22.30
16	1.088 27.65	.827 21.00	.996 25.30
18	1.206 30.65	.945 24.00	1.114 28.30
20	1.325 33.65	1.063 27.00	1.252 31.30
22	1.443 36.65	1.181 30.00	1.350 34.30
24	1.561 39.65	1.299 33.00	1.469 37.30

NOTES:

- HOUSING MATERIAL: GLASS FILLED LIQUID CRYSTAL POLYMER UL94V-0, COLOR: BLACK  
TERMINAL MATERIAL: BRASS ALLOY
- FINISH: A = .000060/(0.00152) MIN. REFLOWED MATTE TIN OVER  
.000050/(0.00127) MIN. NICKEL PLATE  
(FINISH IS BRIGHT IN APPEARANCE, THICKNESS AS APPLIED PRIOR TO REFLOW).  
B = .000015/(0.00038) MIN SELECT GOLD IN CONTACT AREA,  
.000100/(0.00254) MIN. SELECT MATTE TIN ON SOLDER TAILS,  
BOTH OVER .000050/(0.00127) MIN. NICKEL PLATE  
C = .000030/(0.00076) MIN SELECT GOLD IN CONTACT AREA,  
.000100/(0.00254) MIN. SELECT MATTE TIN ON SOLDER TAILS,  
BOTH OVER .000050/(0.00127) MIN. NICKEL PLATE  
D = .000100/(0.00254) MIN. MATTE TIN OVER  
.000050/(0.00127) MIN. NICKEL PLATE.
- PRODUCT SPECIFICATION: PS-43045
- TRAY PACKAGED: SEE MOLEX DRAWING PK-70873-0313
- MATES WITH MICRO-FIT (3.0) RECEPTACLE SERIES 43025
- CIRCUIT SIZES 2-6: 'D' IS .265/6.74 FOR .010/(0.25) STEP  
CIRCUIT SIZES 8-24: 'D' IS .063/(1.60) FOR .010/(0.25) STEP
- TO AVOID INTERFERENCE BETWEEN RECEPTACLE AND PCB, HEADER MUST BE PLACED WITHIN .400/(10.16) MAX. FROM EDGE OF PCB, AS SHOWN IN LOCATION DETAIL.
- METAL TAB MAY BE FLUSH WITH PCB. NO EXPOSED TRACES OR VIAS ALLOWED NEAR THESE AREAS.
- THIS PART CONFORMS TO CLASS B REQUIREMENTS OF COSMETIC SPECIFICATION PS-45499-002.

CIRCUIT "1" IDENTIFIED ON THIS SURFACE  
(APPROX. LOCATION SHOWN FOR REF.)



CKTS	FINISH A	FINISH B	FINISH C	FINISH D
	MATERIAL NO:	MATERIAL NO:	MATERIAL NO:	MATERIAL NO:
02	43045-0221	43045-0222	43045-0223	
04	43045-0421	43045-0422	43045-0423	
06	43045-0621	43045-0622	43045-0623	43045-0658
08	43045-0821	43045-0822	43045-0823	
10	43045-1021	43045-1022	43045-1023	
12	43045-1221	43045-1222	43045-1223	
14	43045-1421	43045-1422	43045-1423	
16	43045-1621	43045-1622	43045-1623	
18	43045-1821	43045-1822	43045-1823	43045-1858
20	43045-2021	43045-2022	43045-2023	
22	43045-2221	43045-2222	43045-2223	
24	43045-2421	43045-2422	43045-2423	

SYMBOLS				THIS DRAWING CONTAINS INFORMATION THAT IS PROPRIETARY TO MOLEX ELECTRONIC TECHNOLOGIES, LLC AND SHOULD NOT BE USED WITHOUT WRITTEN PERMISSION			
▽ = 0	▽ = 0	▽ = 0	▽ = 0	IN/MM	NTS	CURRENT REV DESC: ADD MATERIAL D PN'S	
▽ = 0	▽ = 0	▽ = 0	▽ = 0	GENERAL TOLERANCES (UNLESS SPECIFIED)		EC NO: 170115	
▽ = 0	▽ = 0	▽ = 0	▽ = 0	MM	INCH	DRWN: AZAHIROVIC	2017/12/29
▽ = 0	▽ = 0	▽ = 0	▽ = 0	4 PLACES ±	±	CHK'D: SSOUSEK	2018/05/09
▽ = 0	▽ = 0	▽ = 0	▽ = 0	3 PLACES ±	± 0.01	APPR: FSMITH	2018/05/10
▽ = 0	▽ = 0	▽ = 0	▽ = 0	2 PLACES ±	± 0.014	INITIAL REVISION:	
▽ = 0	▽ = 0	▽ = 0	▽ = 0	1 PLACE ±	± 0.36 ±	DRWN: SAMIEC	2000/03/15
▽ = 0	▽ = 0	▽ = 0	▽ = 0	0 PLACES ±	±	APPR: FSMITH	2016/02/26
▽ = 0	▽ = 0	▽ = 0	▽ = 0	ANGULAR TOL ±	± 0.5 °	THIRD ANGLE PROJECTION	DRAWING SERIES
▽ = 0	▽ = 0	▽ = 0	▽ = 0	DRAFT WHERE APPLICABLE MUST REMAIN WITHIN DIMENSIONS		C-SIZE	43045

MICROFIT 3.0 RIGHT ANGLE THRU HOLE, CLIP DUAL ROW HEADER

PRODUCT CUSTOMER DRAWING

DOCUMENT NUMBER: SD-43045-008    DOC TYPE: PSD    DOC PART: 000    REVISION: H5

MATERIAL NUMBER: SEE CHART    CUSTOMER: GENERAL MARKET    SHEET NUMBER: 1 OF 1