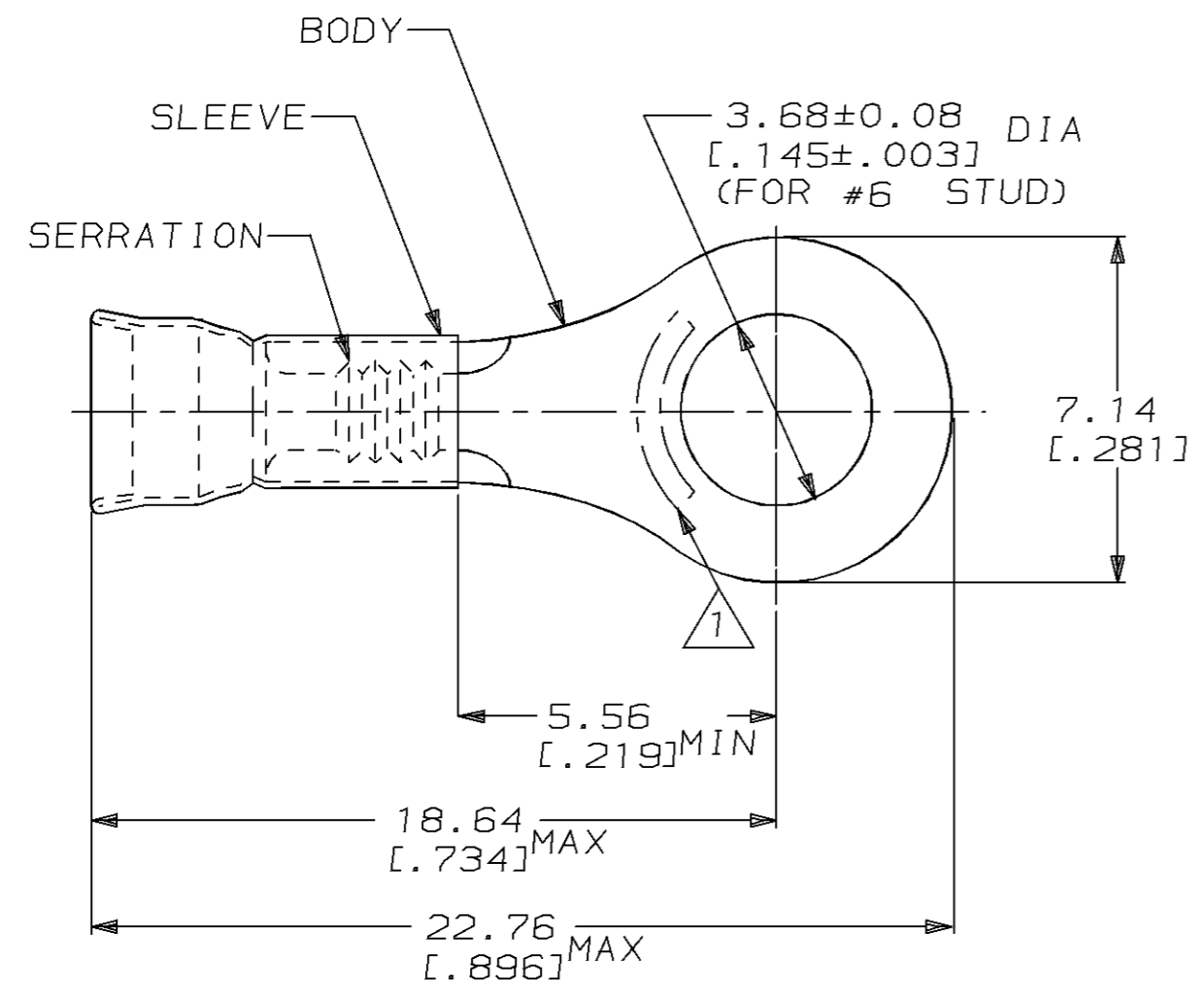


THIS DRAWING IS UNPUBLISHED. RELEASED FOR PUBLICATION ,19 .  
 © COPYRIGHT 19 BY AMP INCORPORATED. ALL RIGHTS RESERVED.

LOC	DIST	REVISIONS			
P	LTR	DESCRIPTION	DATE	DWN	APVD
G	14	C	REV / 0720-0967-96	09SEP96	ME TM

<b>AMP</b> WIRE RANGE	<b>UL</b> E13288	<b>SR</b> LR7189 Certified
12-10 AWG SOLID OR STRANDED	12-10 AWG SOLID OR STRANDED	12-10 AWG SOLID OR STRANDED



1. STAMP AMP 12-10\* LOCATE APPROX AS SHOWN

2. WIRE INSUL DIA, 3.81-5.84 [.150-.230]

3. TONGUE MATL THK, 1.02±0.05 [.040±.002]

2000	ONTAPE, REEL	2-321501-1
500	LOOSE PIECE	321501
QTY	PACKAGE TYPE	PART NO

AMP INCORPORATED CUSTOMER SERVICE SYSTEM		MAX RECOMMENDED OPERATING TEMPERATURE: 170°C [338°F]	THIS DRAWING IS A CONTROLLED DOCUMENT FOR AMP INCORPORATED. IT IS SUBJECT TO CHANGE AND THE CONTROLLING ENGINEERING ORGANIZATION SHOULD BE CONTACTED FOR THE LATEST REVISION.		DWN L OLMEDA 23JAN95	<b>AMP</b> AMP Incorporated Harrisburg, PA 17105-3608
FOR ADDITIONAL PRODUCT INFORMATION OR COPIES OF DRAWINGS AND TECHNICAL DOCUMENTS	PRODUCT INFORMATION CENTER 1-800-522-6752		DIMENSIONS: mm [in]	TOLERANCES UNLESS OTHERWISE SPECIFIED:	CHK M ELLIS 23JAN95	
FOR APPLICATION TOOLING INFORMATION	TOOLING ASSISTANCE CENTER 1-800-722-1111	VOLTAGE RATING: -		0 PLC ±-	PRODUCT SPEC UL486A	SIZE A3
FOR ORDER ENTRY	1-800-526-5142	CIRCULAR MIL AREA: 2.62mm²-6.64mm² [5180-13100]		1 PLC ±-	APPLICATION SPEC -	CAGE CODE 00779
			MATERIAL BODY, CU, SLV, CU PER ASTM B152	2 PLC ±0.20 [.008]	WEIGHT -	SCALE 6:1
				3 PLC ±-	CUSTOMER DRAWING	SHEET 1 OF 1
				4 PLC ±-		REV C
				ANGLES ±-		

# Mouser Electronics

Authorized Distributor

Click to View Pricing, Inventory, Delivery & Lifecycle Information:

[TE Connectivity:](#)

[321501](#)