

THIS DRAWING IS UNPUBLISHED.

RELEASED FOR PUBLICATION

ALL RIGHTS RESERVED.

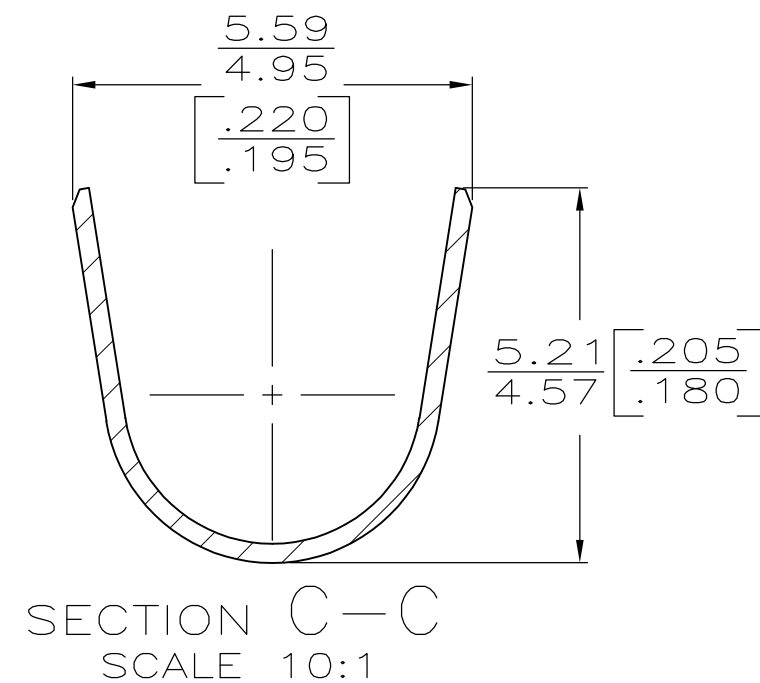
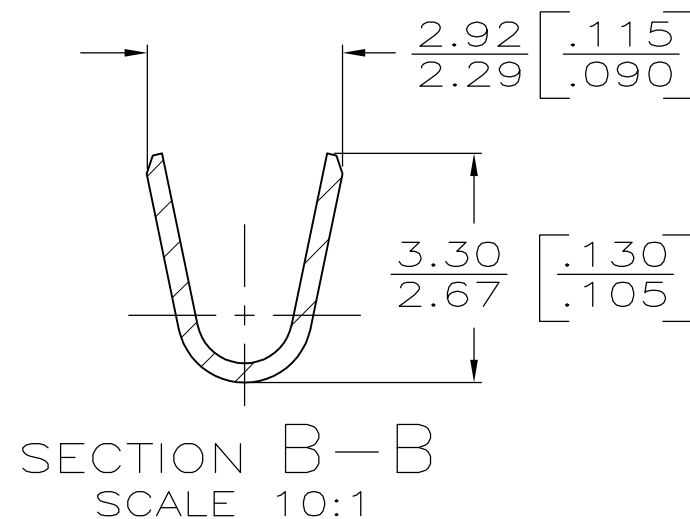
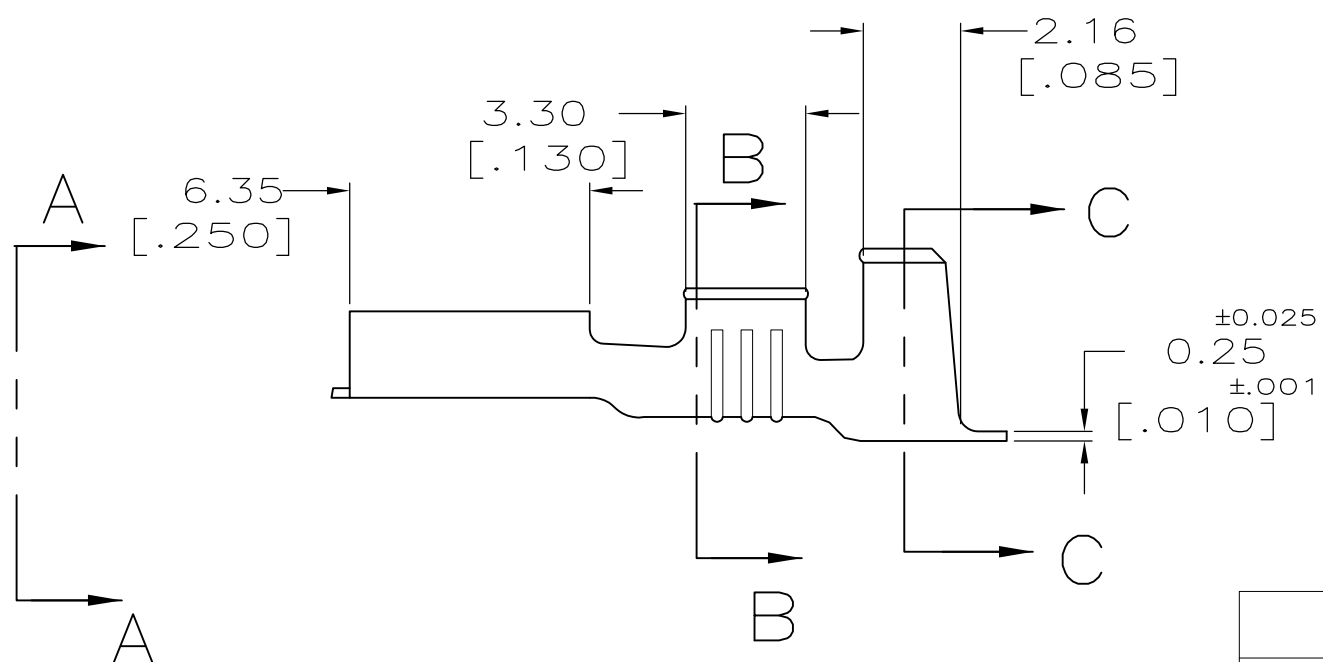
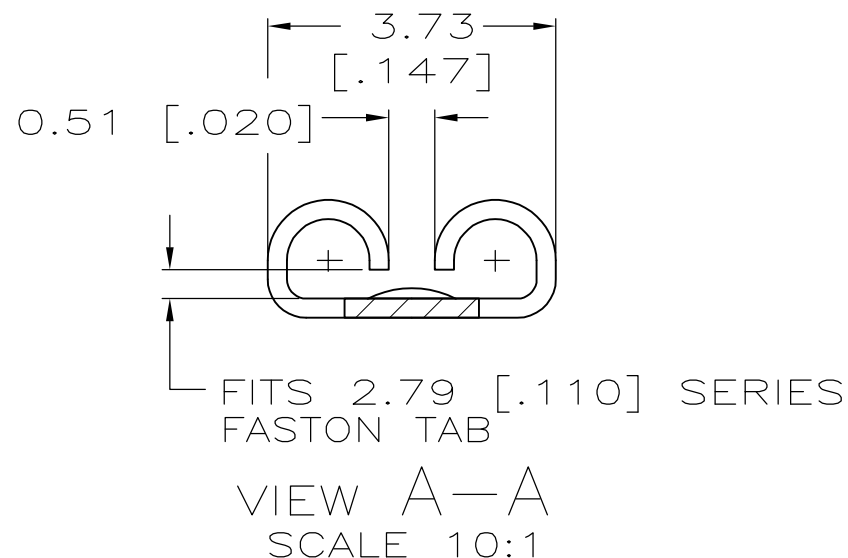
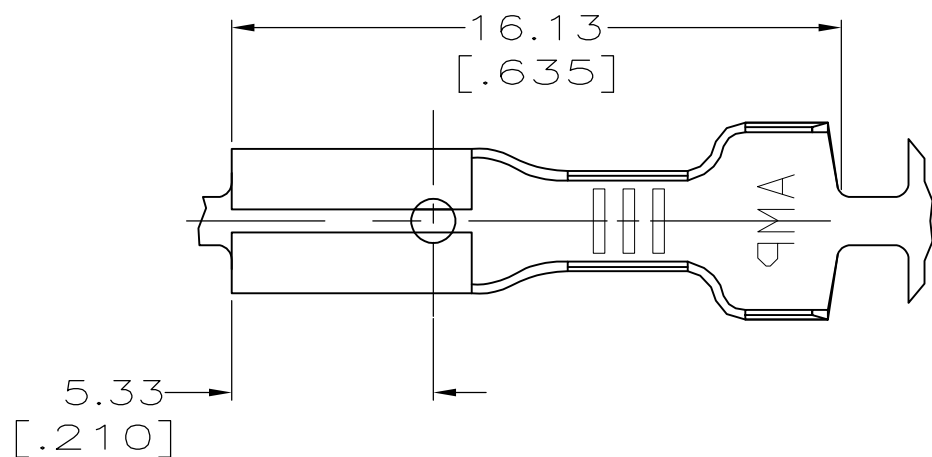
LOC
AF

DIST
50

REVISIONS

P	LTR	DESCRIPTION	DATE	DWN	APVD
G		REVISED PER ECR-12-013459	27NOV2012	KH	PD

1 CONTINUOUS STRIP ON REELS.



-	3.81-4.32	0.5-1.4mm ²	62191-2
TIN	[.150-.170] DIA	[20-16] AWG	62191-1
FINISH	INSUL RANGE	WIRE SIZE	MATING TAB THK ±0.025 [.001] PART NUMBER
THIS DRAWING IS A CONTROLLED DOCUMENT.		DWN JR RUTH 3/28/91	TE Connectivity RECEPTACLE, FASTON,™ 2.79 [.110] SERIES
DIMENSIONS: mm [INCHES]		CHK MS FEHER 3/28/91	
TOLERANCES UNLESS OTHERWISE SPECIFIED:		APVD C MEYERS 3/28/91	
0 PLC ± - 1 PLC ± - 2 PLC ± 0.38 [.015] 3 PLC ± - 4 PLC ± - ANGLES ± -		PRODUCT SPEC -	
MATERIAL	FINISH	APPLICATION SPEC -	RESTRICTED TO -
BRASS	SEE TABLE	WEIGHT -	SIZE A3 CAGE CODE 00779 DRAWING NO C-62191
CUSTOMER DRAWING			SCALE 5:1 SHEET 1 OF 1 REV G