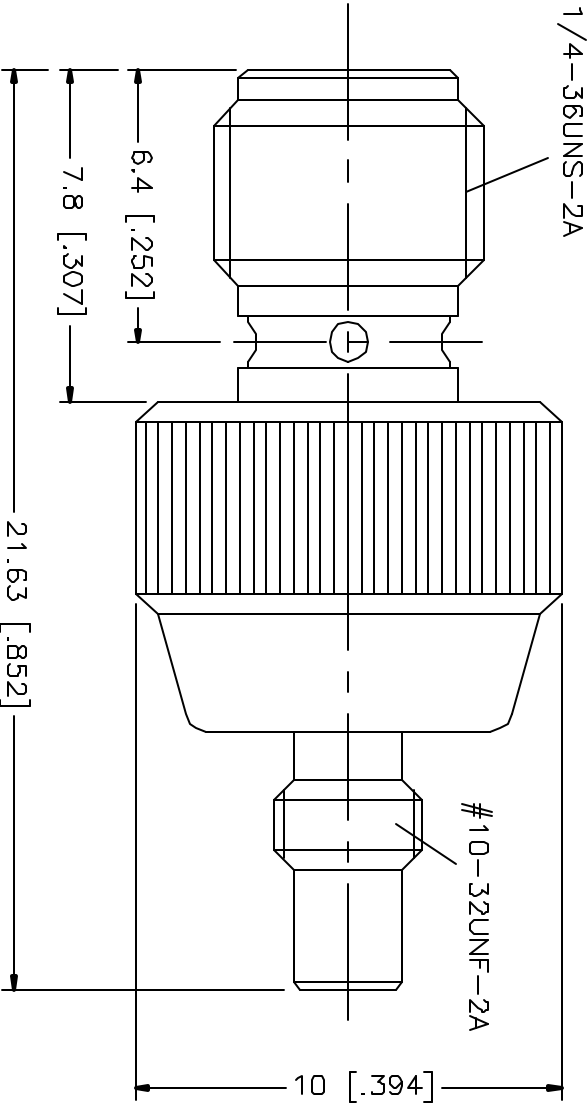


REV.	DATE	DESCRIPTION
NC	10/31/01	INITIAL RELEASE



DESCRIPTION	MATERIAL	FINISH	DO NOT SCALE DRAWING	APPROVALS	DATE	TITLE	SIZE	FSM NO	PART NO.	DWG NO	REV.	
8				UNLESS OTHERWISE SPECIFIED DIMENSIONS ARE IN MILLIMETERS		<b>Comnex</b> Connector Corporation SMA JACK TO SMC JACK ADAPTOR						
7				DIMENSIONS IN [ ] ARE IN INCHES FOR CUSTOMER REFERENCE ONLY								
6				UNLESS OTHERWISE SPECIFIED TOLERANCES FOR MILLIMETERS ARE								
5				0.5-6 = ± 0.2								
4				6-30 = ± 0.4								
3	CONTACT PIN	BER COPPER		30-120 = ± 0.6								
2	INSULATOR	TEFLON		120-315 = ± 1				A	99001		242176.DWG	NC
1	BODY	BRASS		315-1000 = ± 1.6								
				1000-2000 = ± 2.4					242176			
				DO NOT SCALE DRAWING								

# Mouser Electronics

Authorized Distributor

Click to View Pricing, Inventory, Delivery & Lifecycle Information:

[Amphenol:](#)

[242176](#)