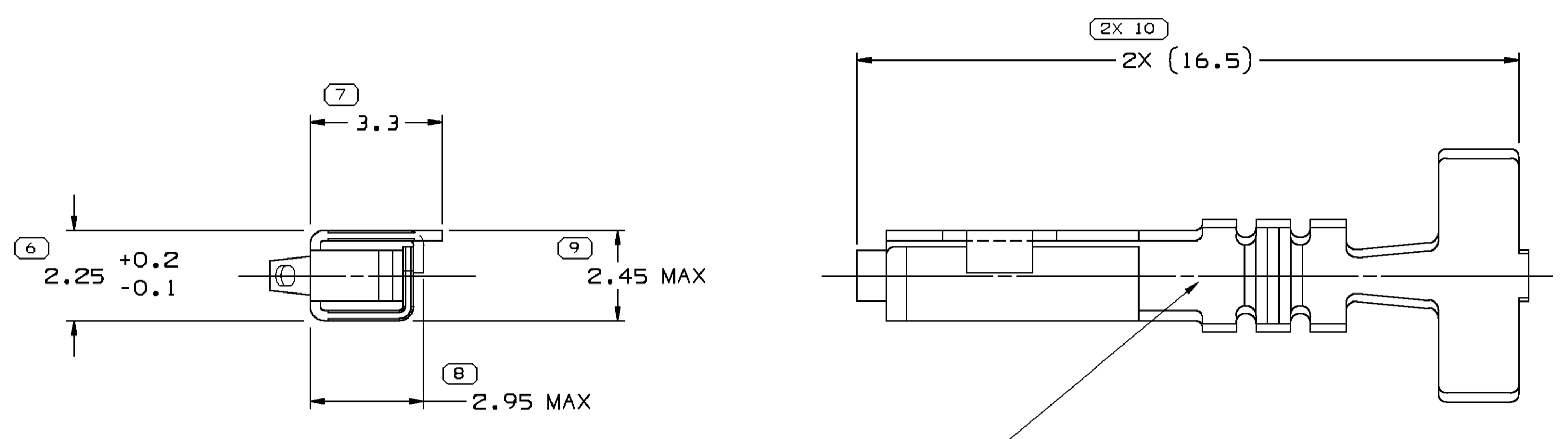
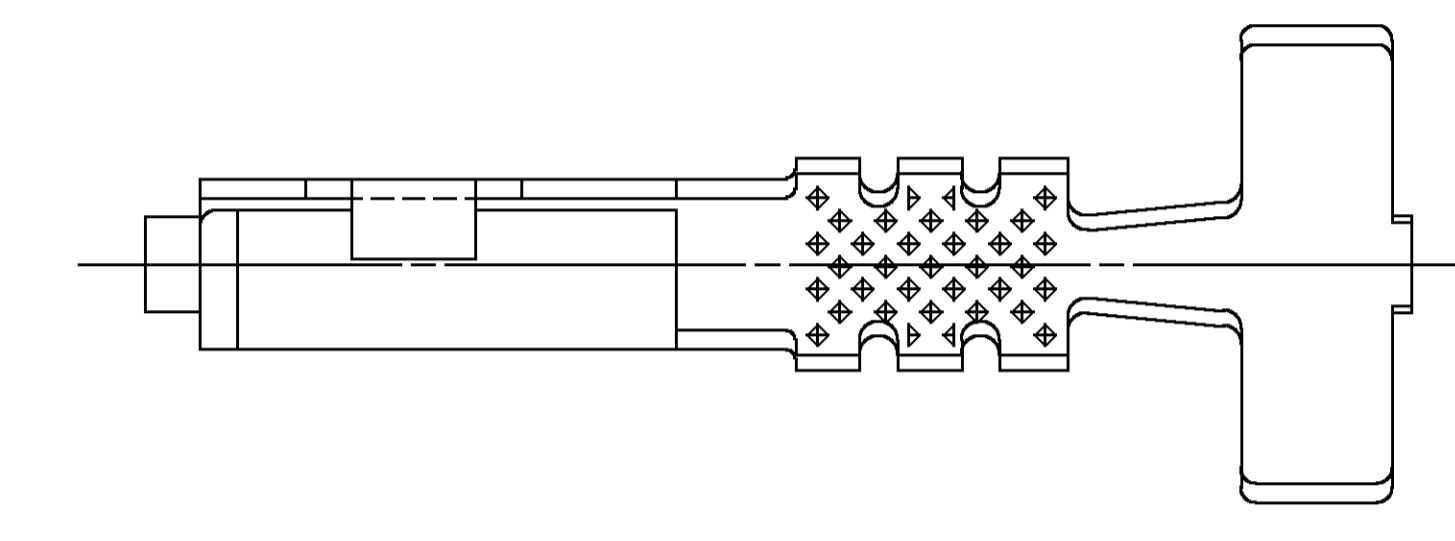
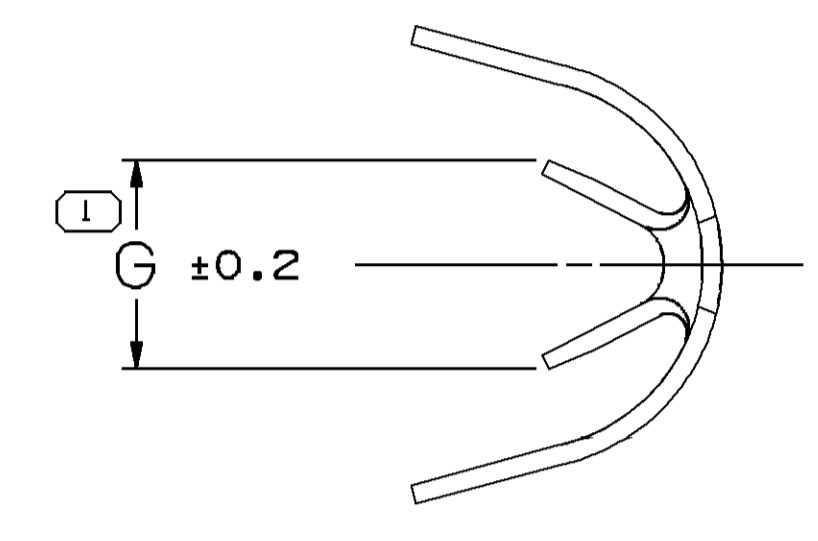


SYMBOL DEFINITION		TOTAL NO OF INSPECTIONS REQUIRED		MISSING SYMBOLS	
A DIMENSION WITHOUT AN INSPECTION REPORT SYMBOL DOES NOT REQUIRE INSPECTION. IT MAY BE CONTROLLED ON THE INDIVIDUAL COMPONENT DRAWING.			12	NO MISSING SYMBOL NUMBER	
		LAST NO. USED	10		

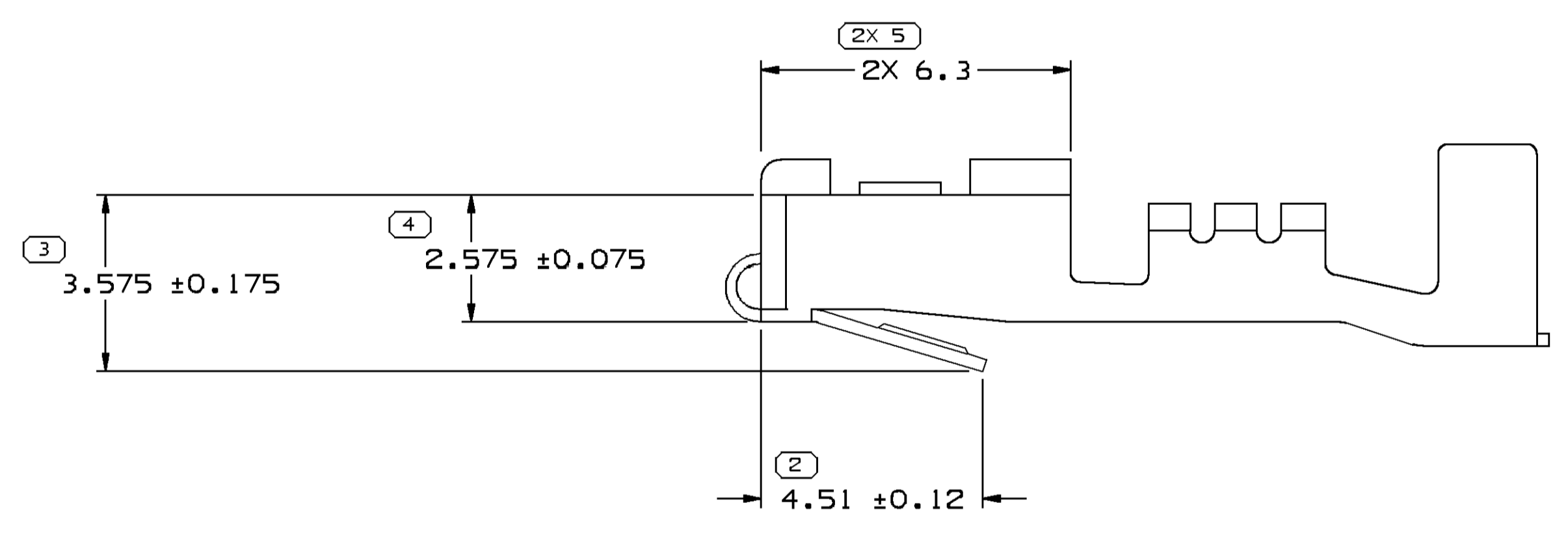
DWS STATUS		REV		N/P		CHG		ZONE		REVISION HISTORY		AUTH		DR		APVD	
23MY02	R	10	-	-	-	-	-	-	-	ALL PARTS - CLEARED REV COLUMN & REVISED MATERIAL SPECS: 12048074 - UPDATED PDM ATTRIBUTES		222820	HAM	HAM	DLB		
22AU02	R	11	-	-	-	-	-	-	-	15366078, 15326396, 15326225, 12160223, 12160222, 12084200 & 12048074 - REVISED MAT'L SIZE AND MAT'L SPEC		211578	ESF	EAR	GMC		
06FE03	R	12	-	-	-	-	-	-	-	ALL ACTIVE PARTS- UPDATED PDM ATTRIBUTES		236348	MAC	MAC	JMP		
140C03	R	13	-	-	-	-	-	-	-	15366078 - MAT'L SPEC WAS M3620 HCN4		245588	ADK	TLD	BB		
17FE04	-	14	-	-	-	-	-	-	-	12048074, 12084200, 12092702, 12160222, 12160223, 15326225, 15326396 & 15366078 - T.O.D. UPDATED		250621	JS	JS	BB		
190C04	R	15	-	-	-	-	-	-	-	ALL ACTIVE PARTS - ADDED TERMINAL ID NOTE		260108	RTV	JAA	MKM		
09MR06	R	16	-	-	-	-	-	-	-	12084200 & 15326396 - UPDATED PDM ATTRIBUTES		276509	JBD	JAA	JES		
24MY06	R	17	-	-	-	-	-	-	-	12092702 - OBSOLETE		280889	BLG	JAA	BDO		
16JN06	R	18	-	-	-	-	-	-	-	ALL ACTIVE PARTS - PSD WAS #4		281799	JTZ	JVM	BDO		
27JL12	R	19	-	-	-	-	-	-	-	12160222-23 - UPDATED MATERIAL CALLOUT AND ADDED TYPE 203		418958	AJP	AJP	MAA		
02JA13	R	20	-	-	-	-	-	-	-	12160222-23 - UPDATED PDM ATTRIBUTES		420897	IMF	JAA	MAA		
24JA13	R	21	-	-	-	-	-	-	-	12160222-23 - UPDATED PDM ATTRIBUTES		421210	AGC	JAA	MAA		
19FE15	R	22	-	-	-	-	-	-	-	12160222-23 - ADDED TARNISH NOTE		428876	JVR	JVM	JSM		



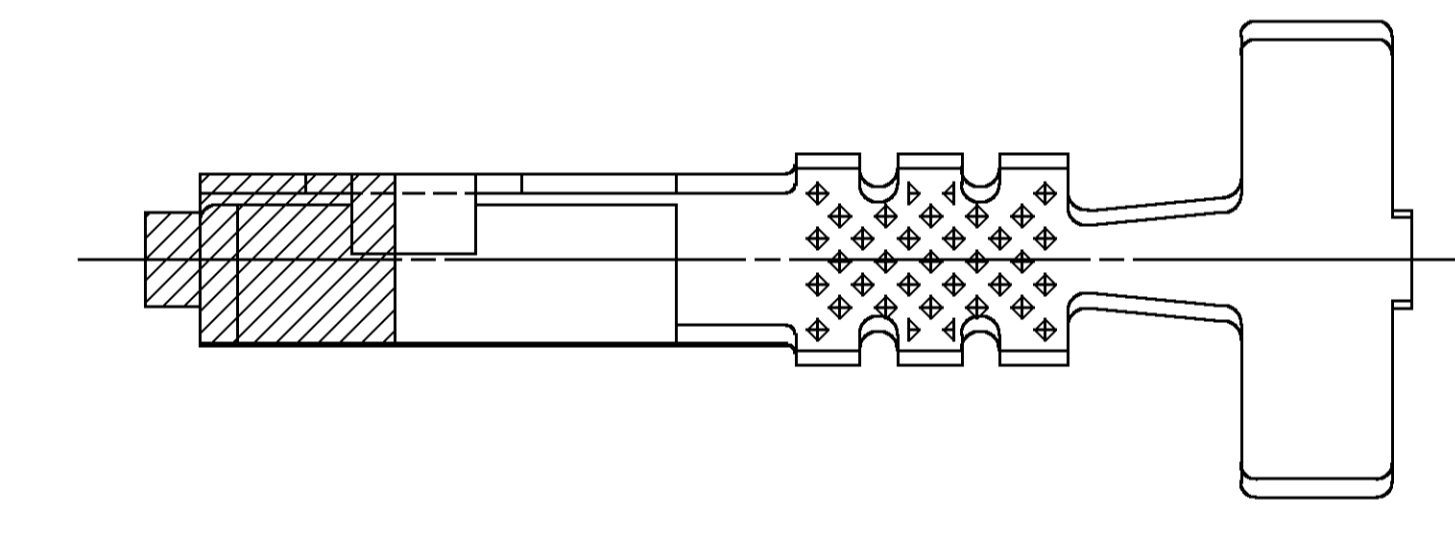
STAMP DIE ID "PXX" IN THIS AREA (0.6) CHARACTERS XX DESIGNATES DIE NUMBER LOCATION IS APPROXIMATE.



TYPE 202  
SAME AS TYPE 101  
EXCEPT AS SHOWN



TYPE 201



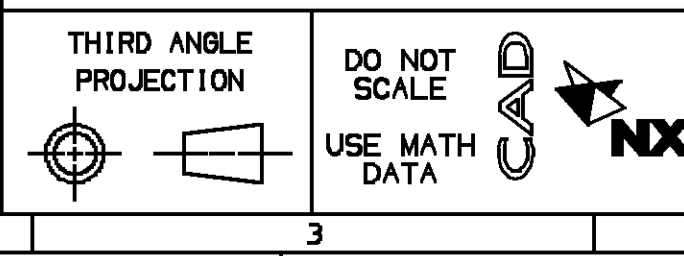
TYPE 203  
SAME AS TYPE 202  
EXCEPT AS SHOWN

NOTES:

- UNLESS OTHERWISE SPECIFIED AND/OR INDICATED: DIMENSIONS ARE TO FACE OF VIEW SHOWN AND AUTOMATICALLY ROUNDED BY COMPUTER FOR INSPECTION. (SEE MATH MODEL FOR PRECISE DIMENSION) FOR ALL OTHER DIMENSIONS NOT SHOWN BUT REQUIRED FOR TOOL BUILD, SEE MATH MODEL FOR PRECISE TOOL PATH DATA.
- RECOMMENDED MATING BLADE - WIDTH : 1.64/1.4 THICKNESS : 0.86/0.79 LENGTH : 7.1/6.9
- "PXX" INDICATES "P" PLUS LAST TWO DIGITS OF MAKE SERIES NUMBER (P01, P02, P03, ETC).
- DO NOT PROBE, TEST OR OTHERWISE CONTACT THE INTERIOR REGION (THE SPRING OR ANY MOVING PART) OF THIS TERMINAL. SEVERE DAMAGE CAN OCCUR, COMPROMISING THE PERFORMANCE OF THE ELECTRICAL INTERFACE.
- FOR TERMINALS PACKAGED & STORED IN THE APPROVED MANNER, TARNISH ON SILVER PLATED SURFACES WILL NOT AFFECT THE PERFORMANCE OF THE PART.

PART NO	REV	N/P	MAT'L SIZE	UNPLATED	PART NO	REV	N/P	MAT'L SIZE	PLATED	SIZE (MMF)	ID	DIA	TYPE	Q
			0.254 X 30.96		15366078	05	AB	0.254 X 29.8	AU PLATED COPPER ALLOY	1-0.8-0.5	60	2.8-2.03	202	3
			0.254 X 30.96		15326396	03	AC	0.254 X 29.8	AU PLATED COPPER ALLOY	0.5-0.35	21	2.2-1.3	202	2.1
			0.254 X 30.96		12160223	06	AC	0.254 X 29.8	SN PLATED COPPER ALLOY	1-0.8-0.5	60	2.8-2.03	202	3
			0.254 X 30.96		12160222	06	AC	0.254 X 29.8	AG PLATED COPPER ALLOY	1-0.8	17	2.65-1.85	203	3
			0.254 X 30.96		12160222	06	AC	0.254 X 29.8	AG PLATED COPPER ALLOY	0.5-0.35	21	2.2-1.3	203	2.1
12092702	03	AB	0.254 X 30.96	COPPER ALLOY	12084200	06	AC	0.254 X 29.8	SN PLATED COPPER ALLOY	0.5-0.35	21	2.2-1.3	202	2.1
12092667	B1	-	0.254 X 30.96	COPPER ALLOY	12054611	C1	-	0.254 X 30.96	SN PLATED COPPER ALLOY	0.35	22	2-1.47	201	2.2
			0.254 X 30.96		12048074	11	AB	0.254 X 29.8	SN PLATED COPPER ALLOY	1-0.8-0.5	60	2.8-2.03	202	3

6	PROCESS SENSITIVE DIMENSION
DIMENSIONS ENCLOSED IN ( ) INDICATE REFERENCE DIMENSIONS AND NO TOLERANCE LIMITS ARE ESTABLISHED	
FROM 0 TO 12	CHART ID
TOLERANCE UNLESS OTHERWISE SPECIFIED	
ANGULAR TOLERANCE ±2°	



**DELPHI**  
DELPHI PACKARD ELECTRICAL/ELECTRONIC ARCHITECTURE  
WARREN, OH  
COPYRIGHT 1996 DELPHI CORPORATION AND/OR ITS AFFILIATES. ALL RIGHTS RESERVED.  
THIS DRAWING IS THE PROPERTY OF DELPHI CORPORATION AND CONTAINS DELPHI CONFIDENTIAL INFORMATION. THE REPRODUCTION, DISTRIBUTION AND UTILIZATION OF THIS DOCUMENT OR ITS CONTENTS OR DATA, AS WELL AS COMMUNICATION OF ANY CONTENT TO OTHERS, WITHOUT EXPRESS AUTHORIZATION, IS PROHIBITED.

DATE: \_\_\_\_\_  
OR: \_\_\_\_\_  
APVD1 S. LIMON A.  
APVD2 FCO. KOPCA  
APVD3 T. DUTTLE  
APVD4 \_\_\_\_\_

SUBSTANCE OF CONCERN AND RECYCLED CONTENT PER DELPHI (9944901)

DRAWING NUMBER: TAXI TERM F/W/P 150 TANG  
DRAWING NUMBER: 12047884

SIZE: AD SCALE: 10:1 FRAME NO: 1 OF 1 SHEET NO: 2 OF 2 STG: R N/P: 22

# Mouser Electronics

Authorized Distributor

Click to View Pricing, Inventory, Delivery & Lifecycle Information:

[Aptiv:](#)

[15366078](#) [15366078-MR](#)