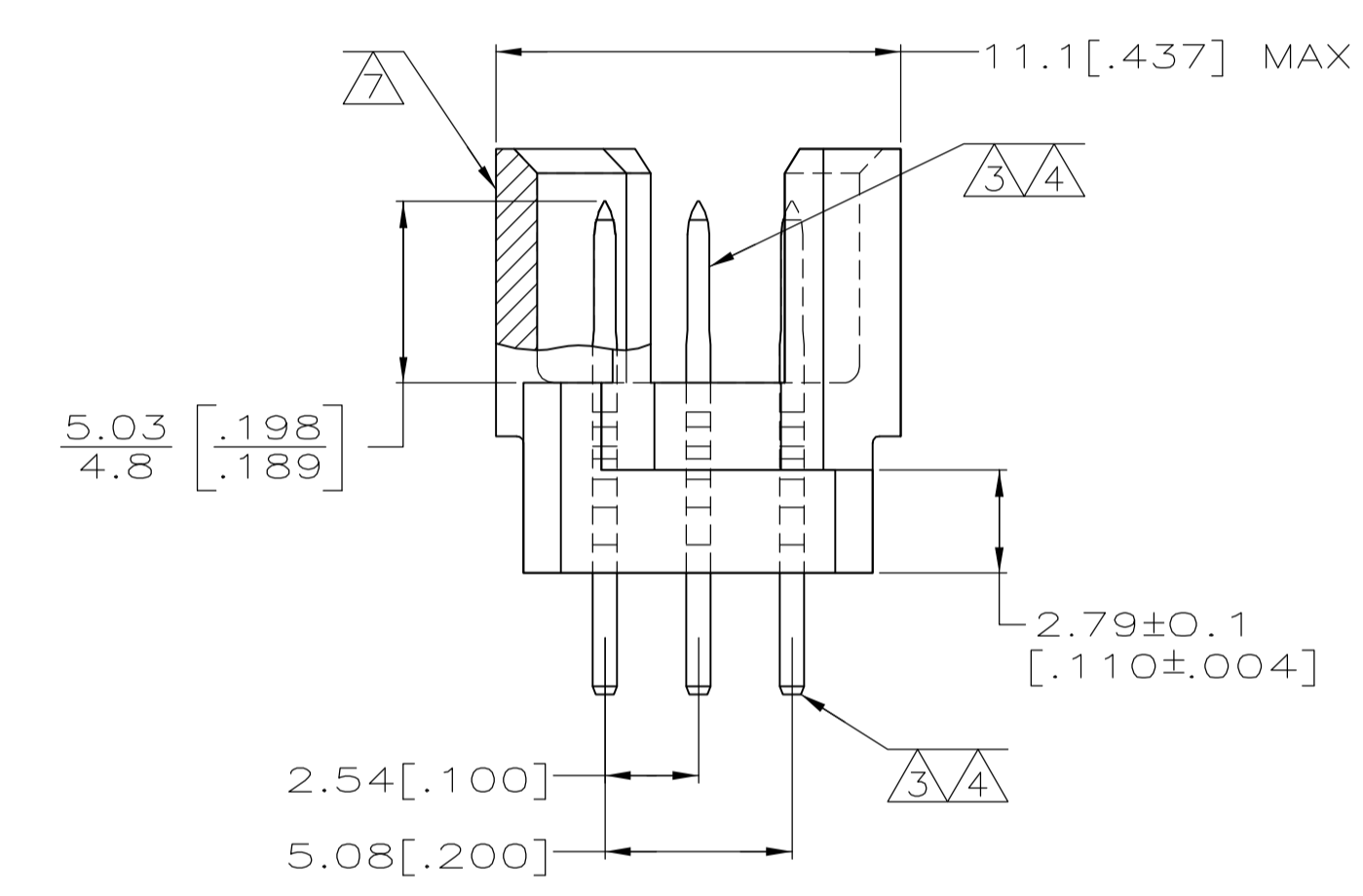


- 1 HOUSING MATERIAL: GLASS-FILLED POLYESTER. COLOR: GRAY.
- 2 POST MATERIAL: BRASS.
- 3 POST FINISH: DIN 41612 CLASS 3 IN CONTACT AREA. TIN-LEAD PLATE ON POSTS.
- 4 POST FINISH: DIN 41612 CLASS 2 IN CONTACT AREA. TIN-LEAD PLATE ON POSTS.
- 5 RECOMMENDED HOLE SIZE FOR MANUAL APPLICATION OF CONNECTOR ONTO PC BOARD.
- 6 PART NUMBER, DATE CODE MARKED THIS APPROXIMATE AREA.
- 7 MARKING ON THIS SIDE.



OBSOLETE	1-16	X	X	X	48	650479-9
	1-16	X	X	X	48	650479-5
NOTES	POSITIONS LOADED	C	B	A	NO. OF LOADED POSITION	ASSY PART NUMBER
	ROWS LOADED					

THIS DRAWING IS A CONTROLLED DOCUMENT.

DIMENSIONS: mm[INCHES]	TOLERANCES UNLESS OTHERWISE SPECIFIED:	0 PLC ± -	1 PLC ± -	2 PLC ± -	3 PLC ± 0.13[.005]	4 PLC ± -	ANGLES ± -
FINISH		1 2		3 4			

DIN L BRINER 18MAR91  
 CHK D.C. RUBENDALL 26MAR91  
 APD D.C. RUBENDALL 26MAR91  
 NAME  
 Tyco Electronics Corporation  
 Harrisburg, PA 17105-3608  
 PIN ASSEMBLY, EUROCARD, TYPE 1/2R  
 SIZE A1 00779 C=650479  
 WEIGHT  
 CUSTOMER DRAWING SCALE 5:1 SHEET 1 OF 1 REV G

# Mouser Electronics

Authorized Distributor

Click to View Pricing, Inventory, Delivery & Lifecycle Information:

[TE Connectivity:](#)

[650479-5](#)