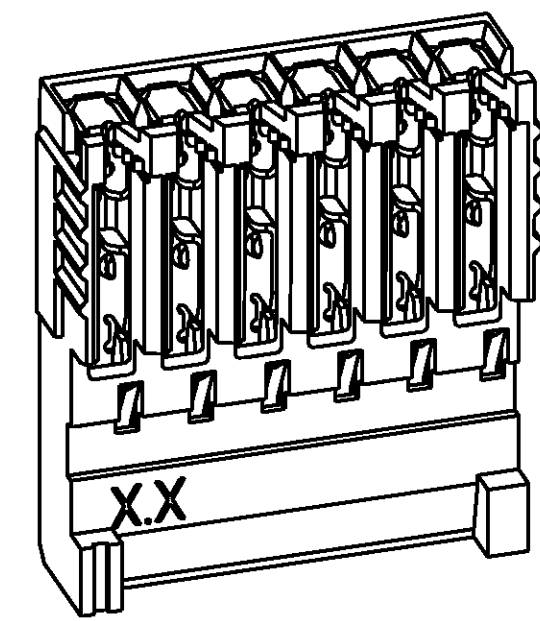
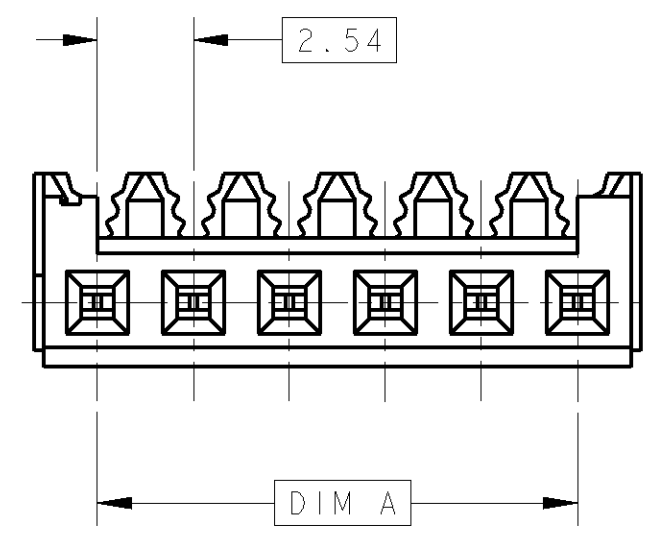


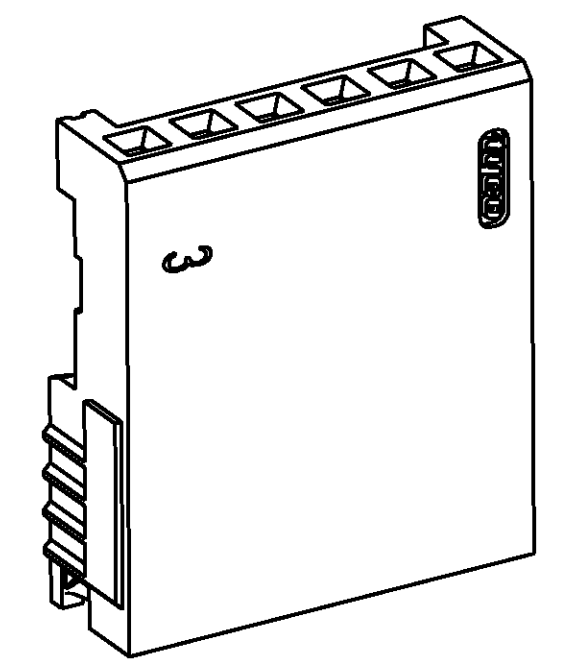
THIS DRAWING IS UNPUBLISHED. DIFFUSION RESTREINTE
 RELEASED FOR PUBLICATION LIBRE A LA DIFFUSION
 ALL RIGHTS RESERVED. TOUS DROITS RESERVES

FILS ADMISSIBLES (ACCEPTABLE WIRES)	
JAUGE (AWG) SECTION / 7 BRINS (7 STRANDS)	26-24 0.12-0.22mm ²
ISOLANT: Ø MAX / MATIERE (INSUL.: Ø MAX / MAT'L)	Ø 1.2 / PVC

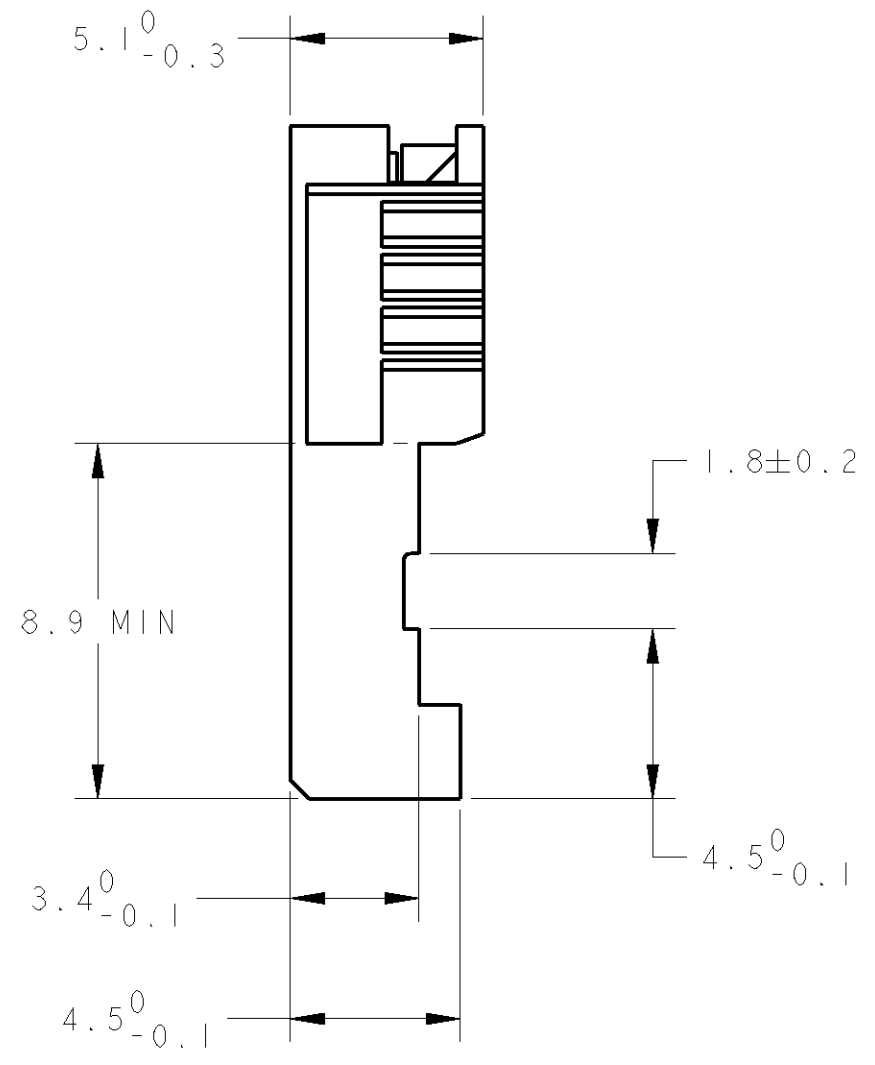
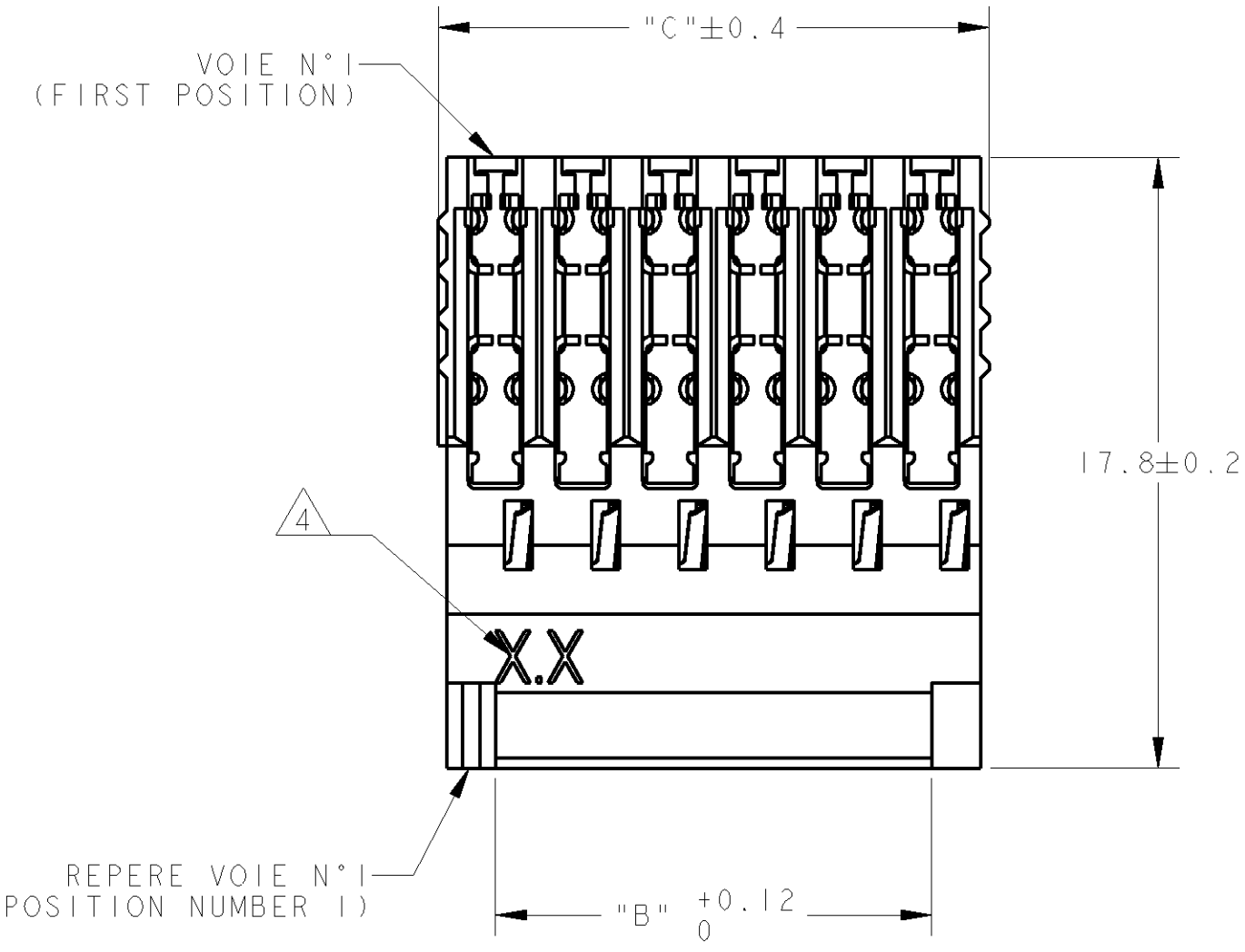
LOC F	DIST 7	REVISIONS			
P	LTR	DESCRIPTION MODIFICATIONS	DATE	DWN DESS.	APVD APP.
	D1	REVISED PER ECO-11-005150	27APR11	RK	HMR



ECHELLE 4:1
SCALE



ECHELLE 4:1
SCALE



- 1 CES CONNECTEURS SONT PREVUS POUR ETRE ACCOUPLES AVEC LES EMBASES 'HE1402' SIMPLE RANGEE
- 2 LES REFERENCES SUIVIES D'UN ' * ' SONT LES VERSIONS NORMALISEES SELON LA 'CEI 603-8'
- 3 REVETEMENT DES CONTACTS: ETAME
- 4 "X.X" EST REMPLACE PAR LES DEUX DEUXIEME CHIFFRES DU COUPLE DES JAUGES AWG
- 5 MATIERES - BOITIER: PBT UL94V0
- CONTACTS: BRONZE PHOSPHOREUX.

- (THESE CONNECTEURS SONT DESIGNED TO BE MATED WITH 'HE1402' HEADERS SINGLE ROW)
- (THE PART-NO FOLLOWED BY ' * ' ARE COVERED BY THE INTERNATIONAL STANDARD 'IEC603-8')
- (CONTACTS PLATING: TIN)
- ("X.X" REPLACED BY THE TWO SECOND DIGIT OF AWG RANGE AS DEFINED IN TABLE)
- (MATERIAL - HOUSING : PBT UL94V0
- CONTACTS: PHOSPHOR BRONZE)

46.52	43.18	18	1-281783-8	*
38.90	35.56	15	1-281783-5	*
31.28	27.94	12	1-281783-2	*
26.20	22.86	10	1-281783-0	*
21.12	17.78	8	0-281783-8	*
16.04	12.70	6	0-281783-6	*
13.50	10.16	5	0-281783-5	*
10.96	7.62	4	0-281783-4	*
8.42	5.08	3	0-281783-3	*
5.88	2.54	2	0-281783-2	*
C	A, B	Nb DE POS	REFERENCES (PART No)	
DIMENSIONS				

DWN/DESSINE 29NOV2000 C. COMBEDOUZON		TE Connectivity	
CHK/VERIFIE 29NOV2000 T. CORRIOU		NAME TITRE HE 1402 PLUG, 180 deg IDC SINGLE ROW	
APVD/APPROUVE 29NOV2000 Y. PETRONIN		SIZE FORMAT A2	
PRODUCT SPEC SPEX, PRODUIT 108-15053		CAGE CODE 00779	
APPLICATION SPEC SPEX, APPLICATION 114-15031		DRAWING NO No PLAN C-281783	
MATERIAL/MATIERE 5		WEIGHT MASSE APPROX. -	
FINISH/FINITION 3		CUSTOMER DRAWING /PLAN CLIENT	
		UNIQUEMENT POUR REFERENCE	
		SCALE ECHELLE 5:1	
		SHEET FEUILLE	
		OF DE	
		REV D1	

Mouser Electronics

Authorized Distributor

Click to View Pricing, Inventory, Delivery & Lifecycle Information:

[TE Connectivity:](#)

[281783-3](#)