

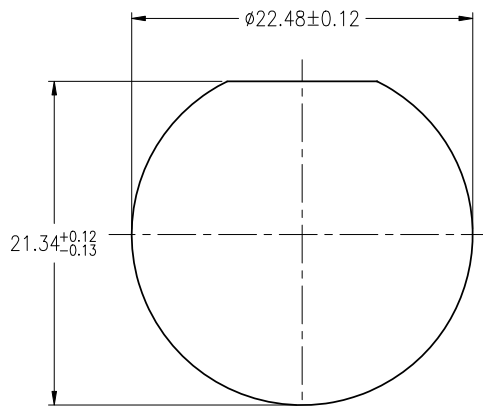
NOTES:

- MATERIALS AND FINISHES  
 BODY - BRASS, NICKEL PLATING  
 CONTACT - BERYLLIUM COPPER, SILVER PLATING  
 INSULATOR - PTFE, NATURAL
- ELECTRICAL:  
 A. IMPEDANCE: 50 OHM

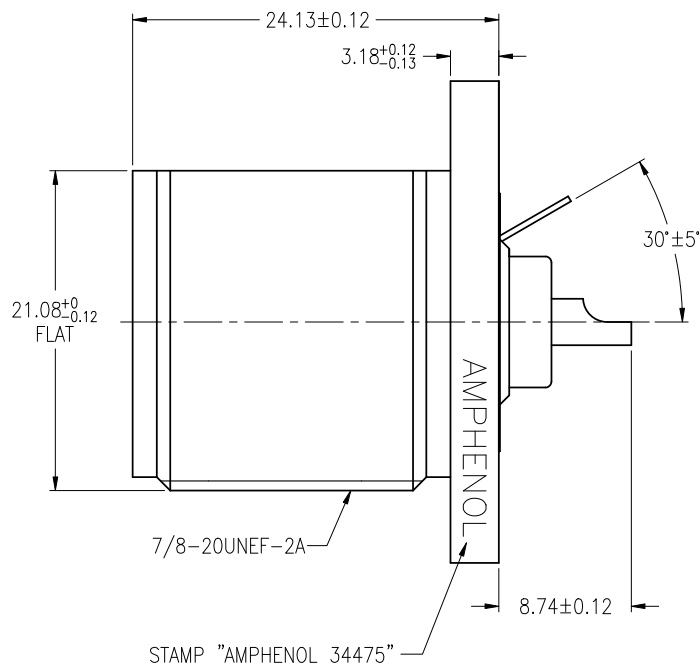
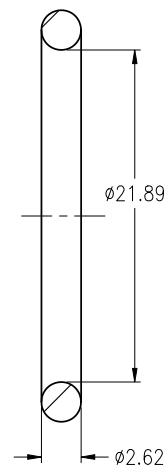
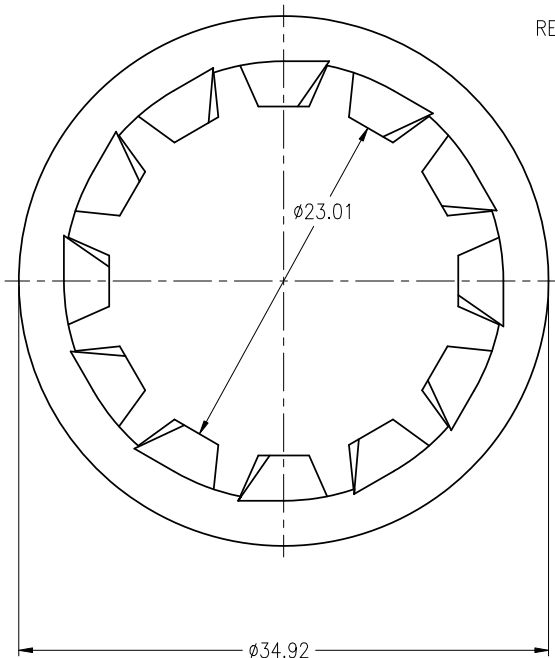
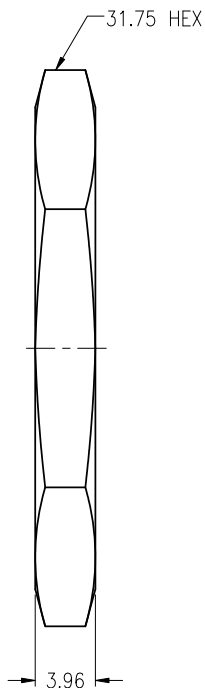
THIRD ANGLE PROJ.

REVISIONS

REV	DESCRIPTION	DATE	ECO	APPR
A	OFFICIAL ENG. RELEASE TO MFG.		3651	
L	REDRAWN TO UPDATE FORMAT	1-Apr-09	47500	SH
M	LOCK WASHER WAS CHANGED	01-Mar-12	48832	SH



RECOMMENDED MOUNTING HOLE



**CUSTOMER OUTLINE DRAWING**  
 ALL OTHER SHEETS ARE FOR INTERNAL USE ONLY

UNLESS OTHERWISE SPECIFIED, DIMENSIONS ARE IN METRIC AND TOLERANCES ARE:  
 <0.5mm ±0.05mm    0.5 - 6mm ±0.1mm    6 - 30mm ±0.2mm    30 - 120mm ±0.3mm    ANGLES ±1°

NOTICE - These drawings, specifications, or other data (1) are, and remain the property of Amphenol Corp. (2) must be returned upon request; and (3) are confidential and not to be disclosed to any person other than those to whom they are given by Amphenol Corp. The furnishing of these drawings, specifications, or other data by Amphenol Corp., or to any other person to anyone for any purpose is not to be regarded by implication or otherwise in any manner licensing, granting rights or permitting such holder or any other person to manufacture, use or sell any product, process or design, patented or otherwise, that may in any way be related to or disclosed by said drawings, specifications, or other data.

MATERIAL	DRAWN	DATE	TITLE
REFERENCE	T.DENG	20-Feb-12	TRIAXIAL RECEPTACLE
UNISYS #7903003 REV J	ENGINEER	DATE	
EAR #413925-001 (CHANGES UNISYS SPEC FROM REV H TO REV J)	H.H	21-Jun-84	
FINISH	APPROVED	DATE	
	S.HSIEH	01-Mar-12	
	CAD FILE		
	F:\DWG\CNPD\34475-MSZ		

SCALE: 2/1	SHEET 2 OF 2
DWG SIZE B	REV M

ITEM NO. 34475	PART NO. 34475
----------------	----------------

Amphenol RF	
Danbury CT USA, Tainan Taiwan, Shenzhen China www.amphenolrf.com	
DRAWING NO. 34475	
ITEM NO. 34475	
PART NO. 34475	