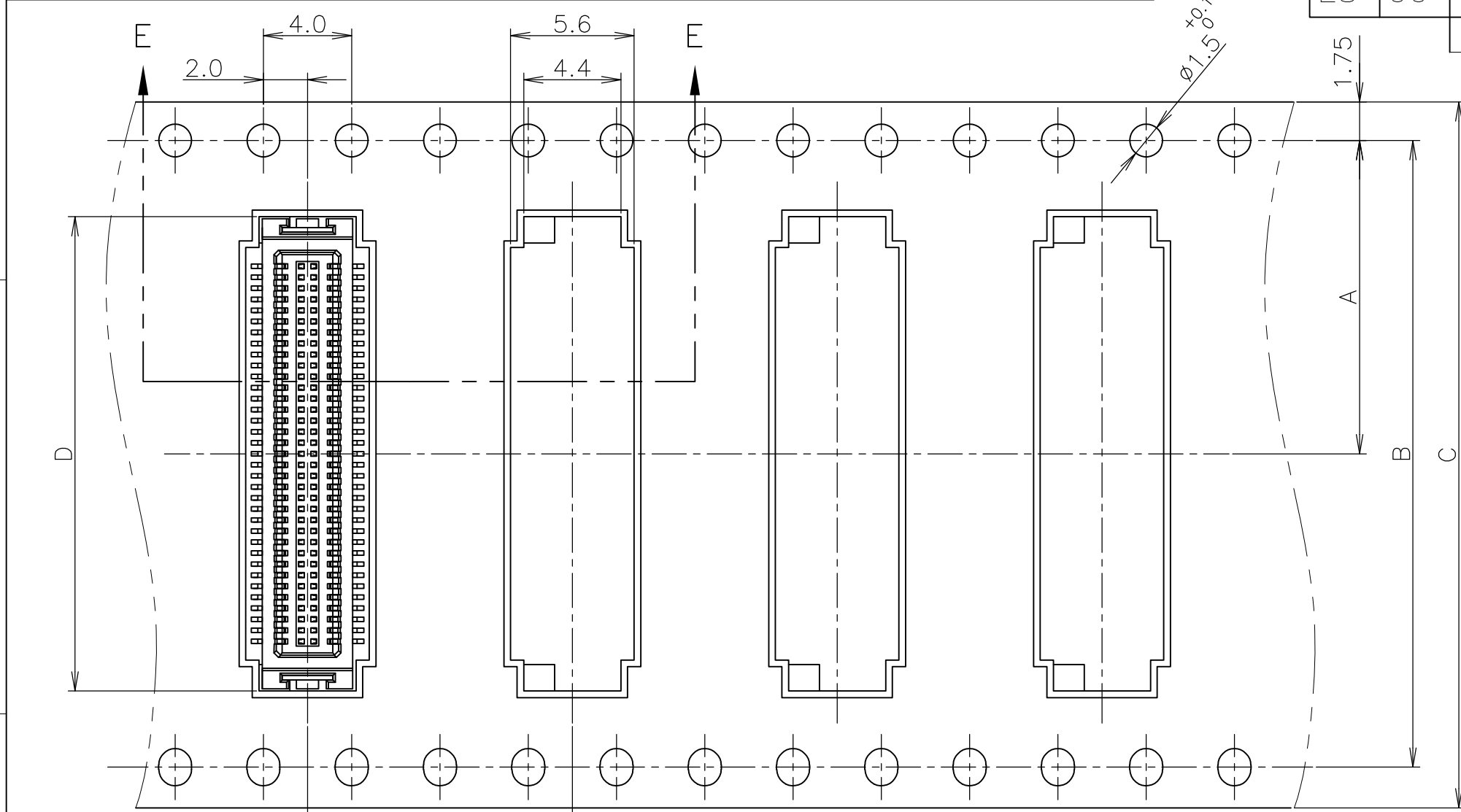


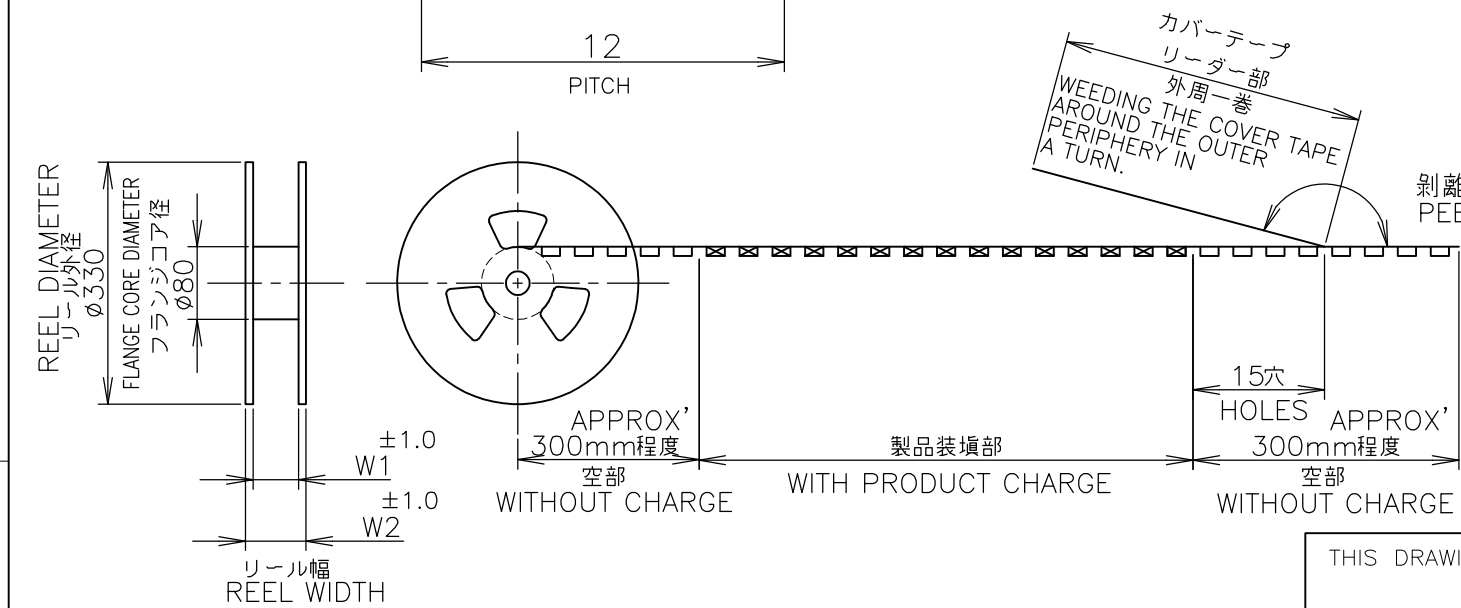
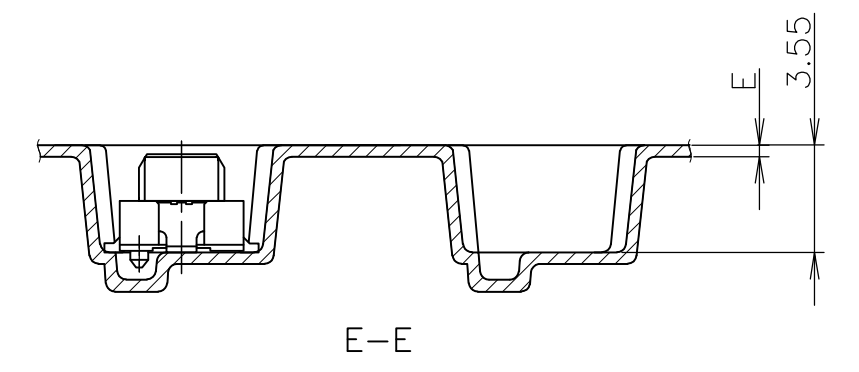
THIS DRAWING IS UNPUBLISHED. RELEASED FOR PUBLICATION APR., 2004.
 © COPYRIGHT 2004 By -- ALL RIGHTS RESERVED.

LOC	DIST	REVISIONS					
ES	00	P	LTR	DESCRIPTION	DATE	DWN	APVD
		B		REVISED PER ECR-14-013112	30JAN2015	I.T	W.H



テープ幅
TAPE WIDTH

引出し方向
TOP OF REEL →



カバーテープ
リーダーテープ
外周一巻
WEEDING THE COVER TAPE
AROUND THE OUTER
PERIPHERY IN
A TURN.
剥離角度、165°~180°
PEELING ANGLE.

FOR P/N *-1,-3,-4,-5,-6,-9,
5-*-3,5-*-5

THIS DRAWING IS A CONTROLLED DOCUMENT.

DIMENSIONS: 単位: 耗 MM	TOLERANCES UNLESS OTHERWISE SPECIFIED: 一般公差
	0 PLC ± 0.3
	1 PLC ± 0.3
	2 PLC ± 0.3
	3 PLC ± 0.3
	4 PLC ± 0.3
	ANGLES ± 3'
MATERIAL 材料	FINISH 仕上

INSTRUCTION SHEET 取扱説明書 411-5808	WIRE RANGE 抱合電線断面積	INSULATION DIA 被覆外径
DWN Y.NAKAZAWA 23APR04	TE Connectivity	
CHK T.KUSUHARA 23APR04		
APVD H.MURAMATSU 23APR04	NAME 名称	
PRODUCT SPEC 製品規格 108-5496	ON TAPING (EMBOSS) 0.5mm PITCH FINE MATE CONN. RECEPTACLE ASSEMBLY	
APPLICATION SPEC 取付適用規格	SIZE A3	CAGE CODE 00779
WEIGHT	DRAWING NO 番号 C-1565357	RESTRICTED TO
CUSTOMER DRAWING	SCALE 尺度 4:1	SHEET 1 OF 3
		REV B

THIS DRAWING IS UNPUBLISHED.

RELEASED FOR PUBLICATION

APR, 2004.

© COPYRIGHT 2004 By -

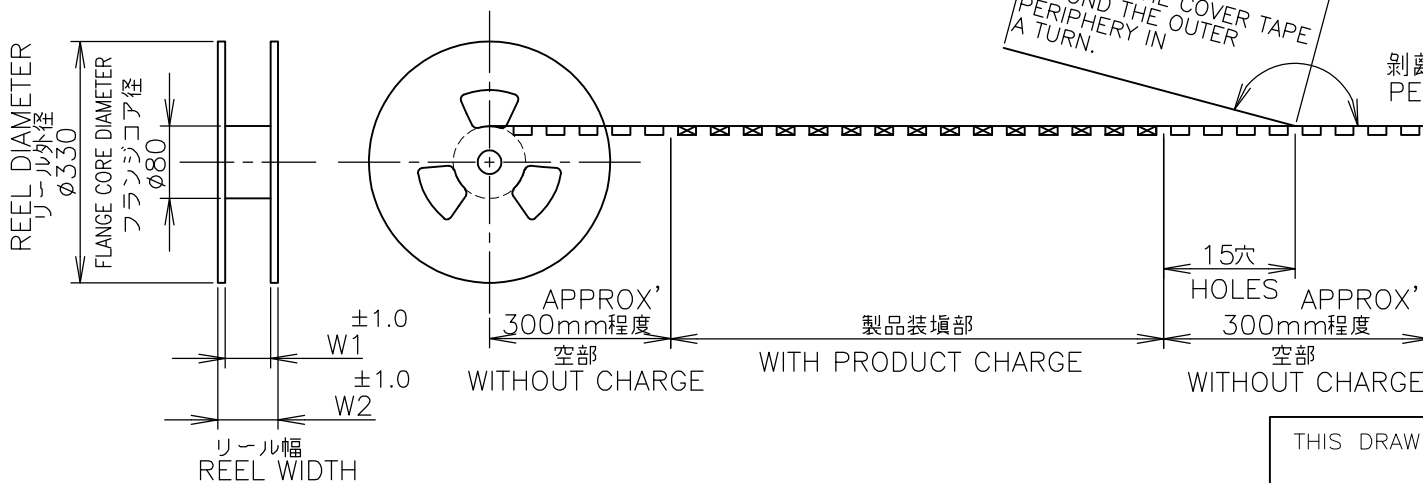
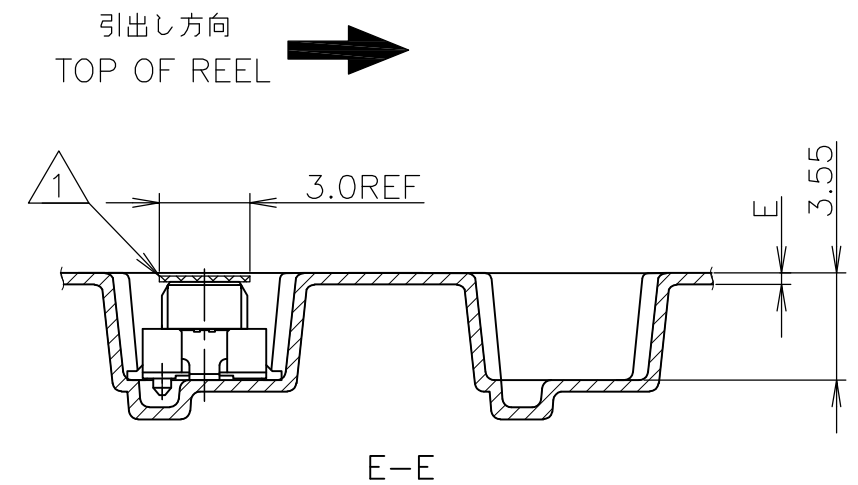
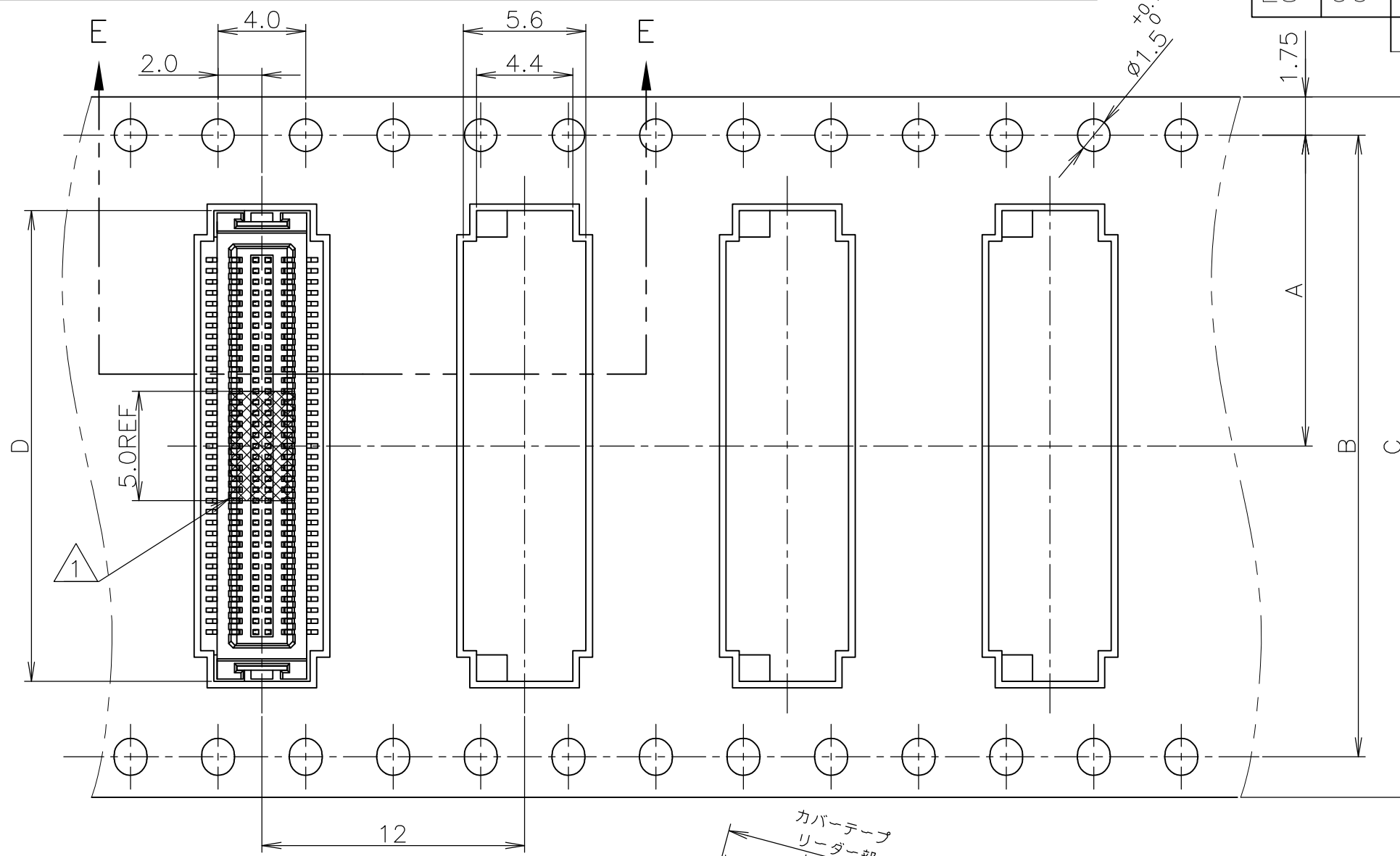
ALL RIGHTS RESERVED.

LOC ES DIST 00

REVISIONS

変更

P	LTR	DESCRIPTION	DATE	DWN	APVD
-	-	SEE SHEET 1			



カバーテープ
リーダー部
外周一巻
WEEDING THE COVER TAPE
AROUND THE OUTER
PERIPHERY IN
A TURN.
剝離角度、 $165^{\circ} \sim 180^{\circ}$
PEELING ANGLE.

NOTES:
① POLYIMIDE TAPE FOR PICK AND PLACE.

FOR P/N 1-* -1

THIS DRAWING IS A CONTROLLED DOCUMENT.

DIMENSIONS: 単位: 耗 MM	TOLERANCES UNLESS OTHERWISE SPECIFIED: 一般公差
	0 PLC ± 0.3
	1 PLC ± 0.3
	2 PLC ± 0.3
	3 PLC ± 0.3
	4 PLC ± 0.3
	ANGLES ± 3'
MATERIAL 材料	FINISH 仕上

INSTRUCTION SHEET 取扱説明書	WIRE RANGE 抱合電線断面積	INSULATION DIA 被覆外径
DWN	TE Connectivity	
CHK		
APVD	NAME 名称	
PRODUCT SPEC 製品規格	ON TAPING (EMBOSS) 0.5mm PITCH FINE MATE CONN. RECEPTACLE ASSEMBLY	
APPLICATION SPEC 取付適用規格	SIZE	CAGE CODE
WEIGHT	DRAWING NO 番号	
CUSTOMER DRAWING	A3	00779
	G-1565357	
	SCALE 尺度 4:1	SHEET 2 OF 3
		REV B

THIS DRAWING IS UNPUBLISHED.

RELEASED FOR PUBLICATION APR , 2004.

© COPYRIGHT 2004 By -

ALL RIGHTS RESERVED.

LOC ES DIST 00

REVISIONS 変更

P	LTR	DESCRIPTION	DATE	DWN	APVD
-		SEE SHEET 1			

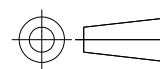
WITH BOSS	WITHOUT MYLAR	W2	W1	E	D	C	B	A	QTY/REEL	POS	CONNECTOR P/N	TAPING P/N
		DIMENSIONS										
		37.5	33.5	0.4	19.1	32	28.4	14.2	1000	60	5-1565358-5	5-1565357-5
		50.5	45.5	0.4	24	44	40.4	20.2	1000	80	5-1565358-3	5-1565357-3
WITHOUT BOSS	WITH MYLAR	49.5	45.5	0.38	29.1	44	40.4	20.2	1000	100	1-1565358-1	1-1565357-1
	WITHOUT MYLAR	20.2	17.5	0.4	9.1	16	+-	7.5	1000	20	1565358-9	1565357-9
		29.5	25.5	0.38	16.6	24	+-	11.5	1000	50	1565358-6	1565357-6
		37.5	33.5	0.38	19.1	32	28.4	14.2	1000	60	1565358-5	1565357-5
		37.5	33.5	0.4	21.9	32	28.4	14.2	1000	70	1565358-4	1565357-4
		50.5	45.5	0.4	24	44	40.4	20.2	1000	80	1565358-3	1565357-3
		49.5	45.5	0.38	29.1	44	40.4	20.2	1000	100	1565358-1	1565357-1

ⓑ OBSOLETE

INSTRUCTION SHEET 取扱説明書 WIRE RANGE 抱合電線断面積 INSULATION DIA 被覆外径

THIS DRAWING IS A CONTROLLED DOCUMENT.

DIMENSIONS: 単位: 耗 MM



TOLERANCES UNLESS OTHERWISE SPECIFIED: 一般公差

0 PLC ± 0.3
 1 PLC ± 0.3
 2 PLC ± 0.3
 3 PLC ± 0.3
 4 PLC ± 0.3
 ANGLES ± 3'

MATERIAL 材料

FINISH 仕上

DWN

CHK

APVD

PRODUCT SPEC 製品規格

APPLICATION SPEC 取付適用規格

WEIGHT

CUSTOMER DRAWING



ON TAPING (EMBOSS)
 0.5mm PITCH FINE MATE CONN.
 RECEPTACLE ASSEMBLY

NAME 名称

SIZE A3 CAGE CODE 00779 DRAWING NO 番号 G-1565357 RESTRICTED TO

SCALE 尺度 4:1 SHEET 3 OF 3 REV B

Mouser Electronics

Authorized Distributor

Click to View Pricing, Inventory, Delivery & Lifecycle Information:

[TE Connectivity:](#)

[1565357-1](#)