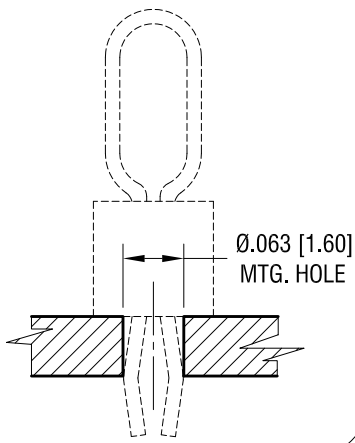
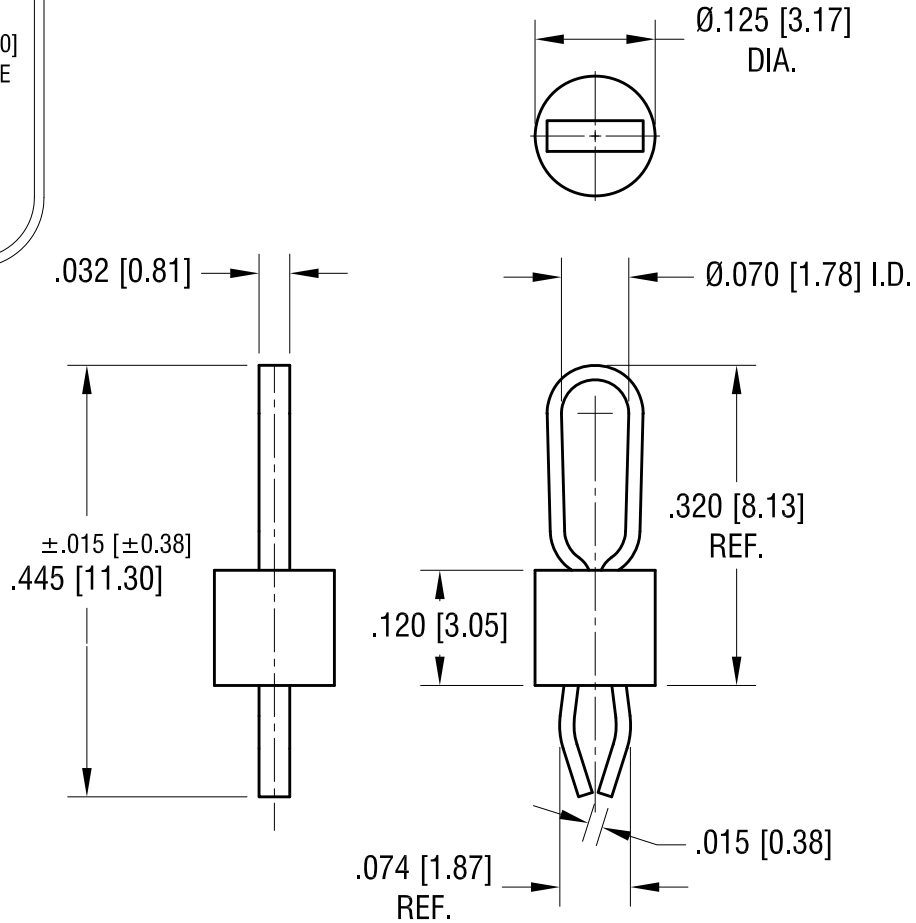


THIS DOCUMENT IS THE PROPERTY OF KEYSTONE ELECTRONICS CORP. AND SHALL NOT BE REPRODUCED, DISTRIBUTED OR USED AS A BASIS FOR MANUFACTURE WITHOUT PRIOR WRITTEN PERMISSION FROM KEYSTONE ELECTRONICS CORP.

**MTG. DETAIL**



**ACTUAL SIZE**



**NOTES:**

**1. TERMINAL:**

MAT'L - PHOSPHOR BRONZE WIRE

**BASE:**

MAT'L - HEAT RESISTANT NYLON 46  
COLOR-RED

12.30.13	CHANGE AS PER ECN 13-121	F
12.04.08	CHANGE AS PER ECN 08-185	E
10.10.08	CHANGE AS PER ECN 08-170	D
8.17.06	CHANGE AS PER ECN 06-045	C
1.23.06	CHANGE AS PER ECN 06-009	B
DATE	DESCRIPTION	REV.

<b>KEYSTONE ELECTRONICS CORP.</b>			
www.keyelco.com • ASTORIA, N.Y. 11105-2017 • Tel (718) 956-8900			
PART NAME <b>PC TEST POINT - MULTIPURPOSE</b>			
MATERIAL <b>AS NOTED</b>			
FINISH <b>SILVER PLATE</b>		DRN BY <b>BOONE</b>	DATE <b>6.19.95</b>
		APP'D <b>LN</b>	SCALE <b>5X</b>
TOLERANCES DECIMAL ANGULAR ± 1° UNLESS OTHERWISE SPECIFIED	INCH [MM] ± .005 [± 0.15]	CODE <b>C</b>	DWG NO. <b>5010</b>

# Mouser Electronics

Authorized Distributor

Click to View Pricing, Inventory, Delivery & Lifecycle Information:

[Keystone Electronics:](#)

[5010](#)