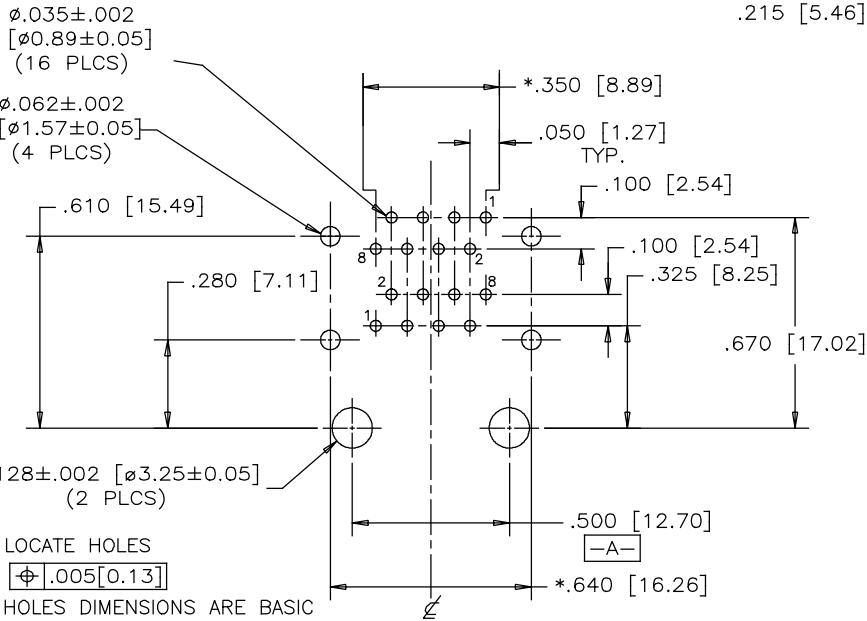
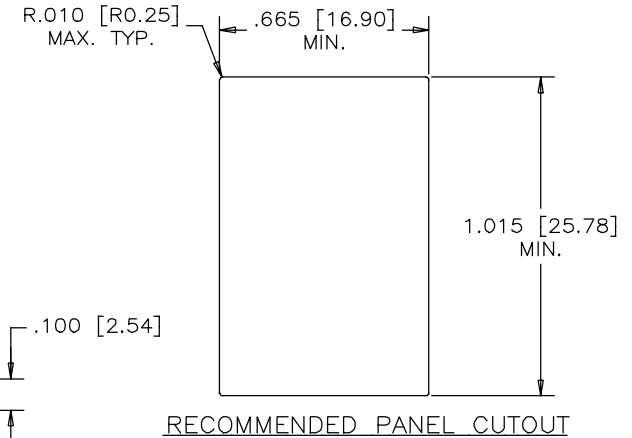
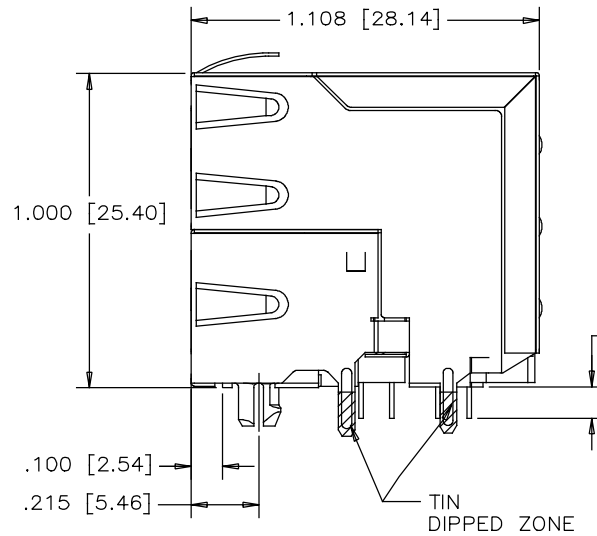
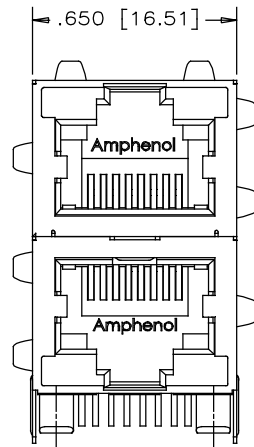


REVISIONS				
SYM	ZONE	ECN, ERN NO.	DATE	APPRD.
A		PROPOSAL	APR.01/13	L.CHAN



RECOMMENDED P.C.B. LAYOUT
 (COMPONENT SIDE OF BOARD)

DIMENSIONS MARKED WITH * ARE SYMMETRICAL ABOUT CENTER LINE AS DEFINED BY DATUM -A-



MATERIALS:

- CONTACTS: PHOSPHOR BRONZE, SELECTIVELY PLATED WITH 50 MICRO" GOLD ON MATING AREAS. 50 MICRO" MIN. NICKEL OVERALL. 100 MICRO" MIN. MATTE TIN OR GOLD FLASH ON TAILS.
- HOUSING: HIGH TEMPERATURE THERMOPLASTIC COLOUR - BLACK, FLAMMABILITY RATING UL 94V-0
- SHIELD: COPPER ALLOY
 PLATING: NICKEL WITH TIN DIPPED PCB TAILS

RECOMMENDED SOLDERING TEMPERATURE:

WAVE SOLDERING TEMPERATURE AT 260°C MAXIMUM FOR 10 SEC MAXIMUM

AMPHENOL PART NO.:

RJSAE-5380-02

DRAWN G.HSIA	DATE APR01/13
DESIGNED	
CHECKED L.CHAN	APR01/13
I. E. APPRD.	
Q. A. APPRD.	
DWG. APPRD.	
ENG. REL. NO.	
REF.	
DIMENSIONS ARE IN INCHES [mm]	CODE ID. NO. 03554

Amphenol Canada Corp.	
TITLE 2x1 STACKABLE MODULAR JACK SHIELDED, 8 POSITION, 8 CONTACTS, 50 u" GOLD, WITHOUT LED, - RoHS COMPLIANT	
DWG	DRAWING NO. P-RJSAE-5380-02
REV.	A
SCALE	WT. _____ SURF. _____ SHEET 1 OF 1

THIS DOCUMENT CONTAINS PROPRIETARY INFORMATION AND SUCH INFORMATION MAY NOT BE DISCLOSED TO OTHERS FOR ANY PURPOSE OR USED FOR MANUFACTURING PURPOSES WITHOUT WRITTEN PERMISSION FROM AMPHENOL CANADA CORP.