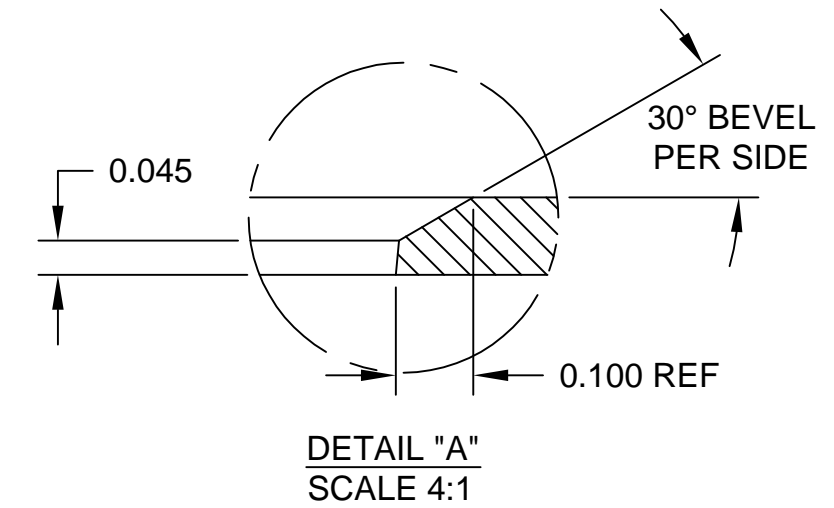



- NOTES:
- 1) PC BOARD BOSSES WILL ACCEPT A #4 X 1/4" THREAD FORMING SCREW
  - 2) MATERIAL: ABS - UL94-5VA
  - 3) FINISH: BLACK TEXTURE
  - 4) DIMENSIONS ARE TO THEORETICAL SHARP CORNERS.
  - 5) INCLUDES (4) #4-24 x 5/8 HI-LOW THREAD FORMING, CSK, OVAL HEAD, PHILLIPS DRIVE SCREWS FOR ATTACHING BODY TO COVER (MAX TORQUE 4.5 IN-LBS)



ITEM		REQ'D.	PART NO.	DESCRIPTION
TOLERANCES:		MAT: AS NOTED	SCALE:	NAME:
±.005 BETWEEN HOLE CENTERS		FINISH: SEE SPEC.	 BUD INDUSTRIES, INC.	PLASTIBOX STYLE I WITH DISPLAY WINDOW
±.015 FROM SHEARED EDGE		DR. DP 5-23-05		
±.032 FROM A BENT SURFACE		CH.	WILLOUGHBY, OHIO	DWG. NO. PT-11754-DW
±.063 BETWEEN ASSEMBLED SURFACES		APP.		
QTY.	USED ON	UNLESS OTHERWISE SPECIFIED		

# Mouser Electronics

Authorized Distributor

Click to View Pricing, Inventory, Delivery & Lifecycle Information:

[Bud Industries:](#)

[PT-11754-DW](#)