

THIS DRAWING IS UNPUBLISHED.

RELEASED FOR PUBLICATION

© COPYRIGHT - BY TYCO ELECTRONICS CORPORATION. ALL RIGHTS RESERVED.

LOC H DIST -

REVISIONS

| P | LTR | DESCRIPTION | DATE | DWN | APVD |
|----|-----|---------------------------|-----------|-----|------|
| C | | REVISED PER ECR-14-000978 | 22JAN2014 | AB | OL |
| D | | REVISED PER ECR-14-008991 | 21JUL2014 | PP | OL |
| D1 | | REVISED PER ECR-14-012391 | 18AUG2014 | FD | OL |
| D2 | | REVISED PER ECR-18-007237 | 17MAY2018 | SR | DD |

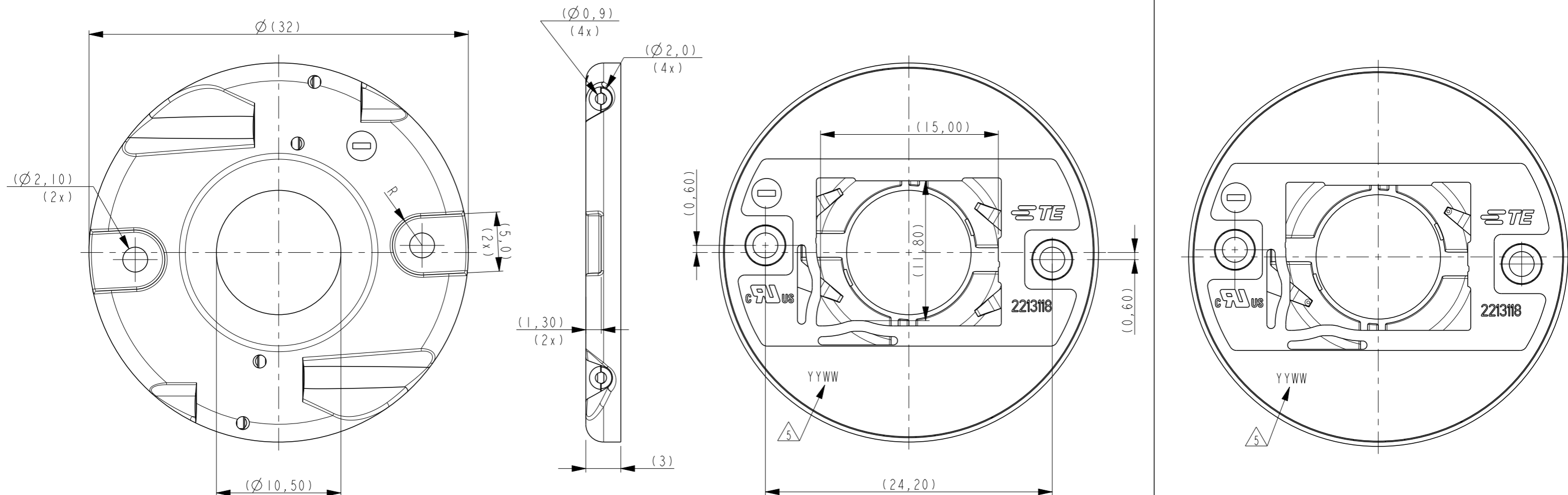
NOTES:

- MATERIALS:
- BASE & COVER: PBT,
COLOR: NATURAL,
- CONTACTS: COPPER ALLOY.
- FOR SOLID AND STRANDED WIRE AWG 22 - 20 USE.
- COMPLIES WITH DIRECTIVE 2002/95/EC (ROHS).
- SREWS TO BE USED: M2x6.

△ YEAR/WEEK CODING

P/N 2213118-1
2 PARALLEL CONTACT BEAM VERSION

P/N 2213118-2
SINGLE CONTACT BEAM VERSION



| | | | | |
|---|--|---------------------------|---|--|
| THIS DRAWING IS A CONTROLLED DOCUMENT. | | DWN P. POORTER 19JUL2012 | TE Connectivity | |
| DIMENSIONS: mm | | CHK O. LEIJNSE 19JUL2012 | | |
| TOLERANCES UNLESS OTHERWISE SPECIFIED: | | APVD O. LEIJNSE 19JUL2012 | NAME LUMAWISE LED HOLDER Z32 LOW PROFILE 1215 | |
| 0 PLC ±- 1 PLC ±- 2 PLC ±- 3 PLC ±- 4 PLC ±- ANGLES ±- | | PRODUCT SPEC 108-133006 | | |
| MATERIAL - | | FINISH - | APPLICATION SPEC 114-32045 WEIGHT - | |
| | | Customer Drawing | | SIZE A3 CAGE CODE 00779 DRAWING NO C-2213118 RESTRICTED TO - |
| | | SCALE 3:1 | | SHEET 1 OF 2 REV D2 |

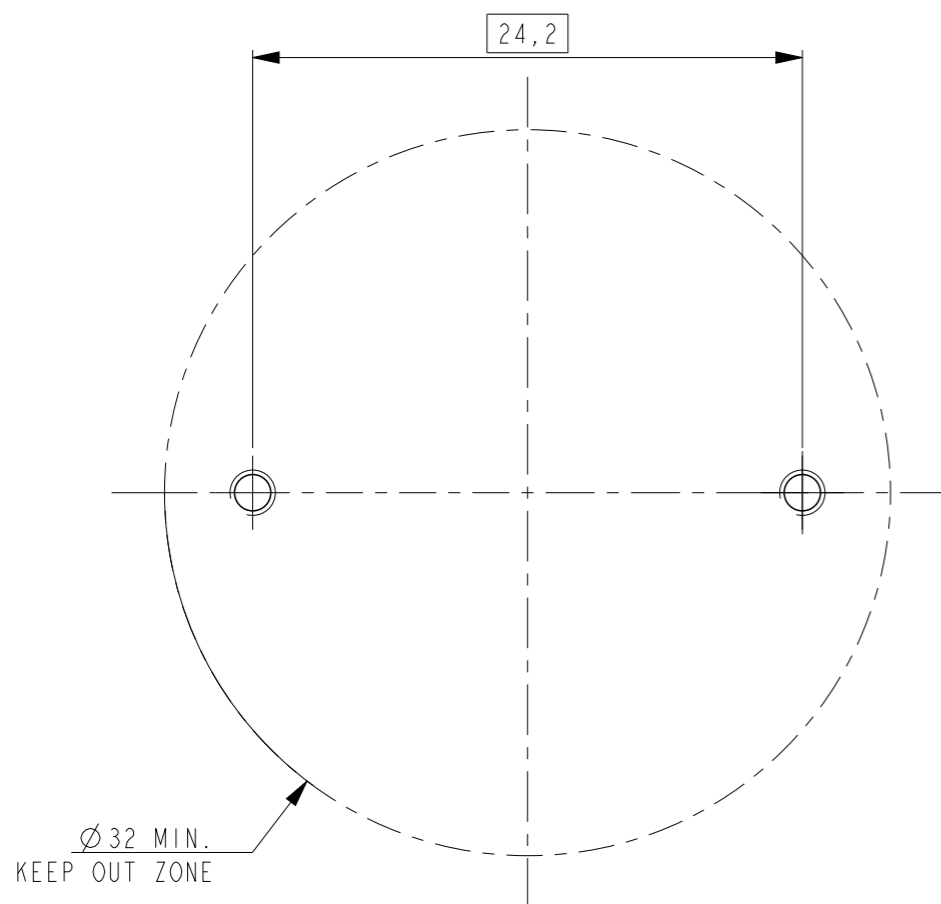
THIS DRAWING IS UNPUBLISHED.

RELEASED FOR PUBLICATION

© COPYRIGHT - BY TYCO ELECTRONICS CORPORATION. ALL RIGHTS RESERVED.

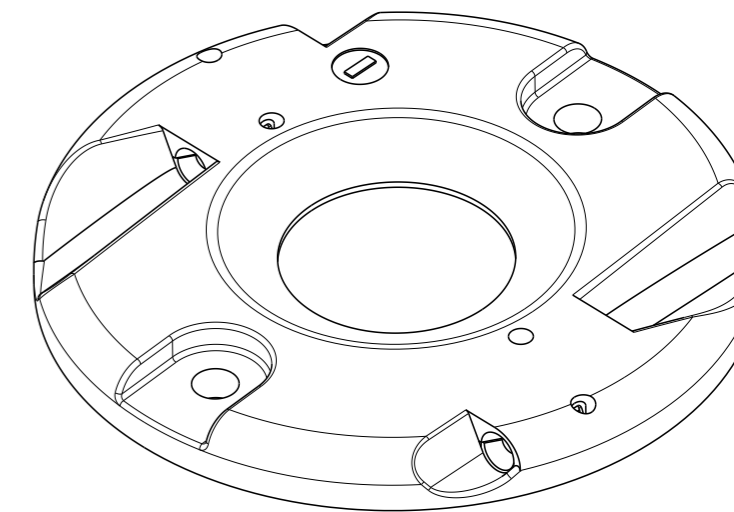
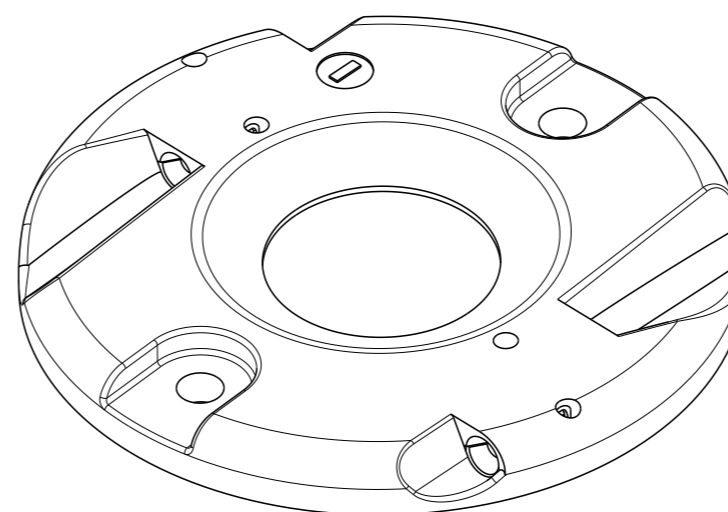
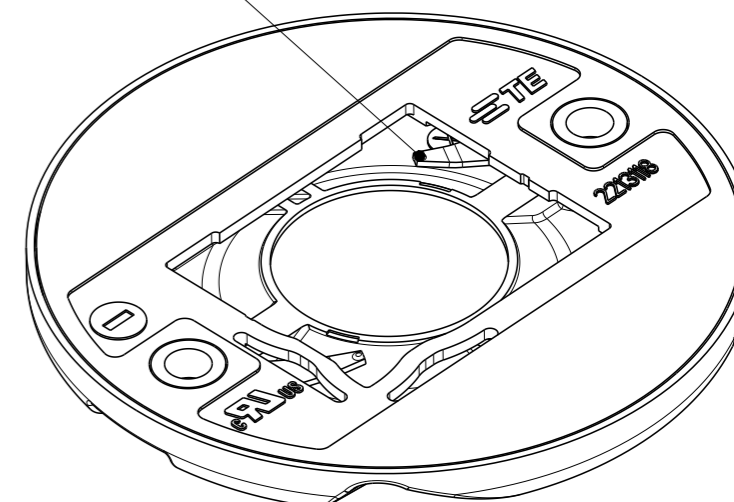
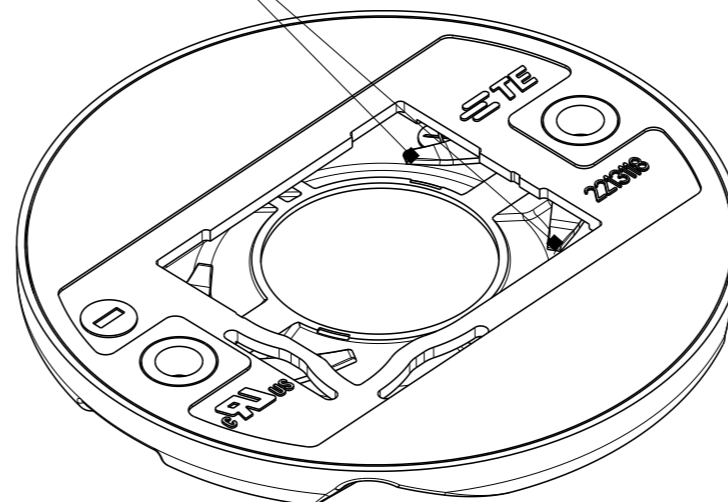
| LOC | DIST | REVISIONS | | | |
|-----|------|-------------|------|-----|------|
| P | LTR | DESCRIPTION | DATE | DWN | APVD |
| H | - | SEE SHEET 1 | - | - | - |
| | | | | | |
| | | | | | |

RECOMMENDED DRILLING HOLE PATTERN



P/N 2213118-1
2 paralel contacts

P/N 2213118-2
single contact



| RELEASED LEDs | | |
|---------------|---------------|----------------|
| NAME | TYPE | TE PART NUMBER |
| LUMILEDS | 1215 | 2213118-2 |
| SHARP | MINI ZENIGATA | 2213118-1 |
| | | |

| | | | | | |
|---|--|---------------------------------|---|--------------------|-------------------------|
| THIS DRAWING IS A CONTROLLED DOCUMENT. | | DWN P. POORTER 19JUL2012 | TE Connectivity | | |
| DIMENSIONS: mm | | CHK O. LEIJNSE 19JUL2012 | | | |
| TOLERANCES UNLESS OTHERWISE SPECIFIED: | | APVD O. LEIJNSE 19JUL2012 | NAME LUMAWISE LED HOLDER Z32 LOW PROFILE 1215 | | |
| 0 PLC ±- 1 PLC ±- 2 PLC ±- 3 PLC ±- 4 PLC ±- ANGLES ±- FINISH - | | PRODUCT SPEC 108-133006 | RESTRICTED TO | | |
| MATERIAL - | | APPLICATION SPEC 114-32045 | SIZE A3 | CAGE CODE 00779 | DRAWING NO C-2213118 |
| | | WEIGHT - | SCALE 3:1 | | |
| | | Customer Drawing | SHEET 2 OF 2 | | |
| | | | REV D2 | | |

Mouser Electronics

Authorized Distributor

Click to View Pricing, Inventory, Delivery & Lifecycle Information:

[TE Connectivity:](#)

[2213118-1](#)