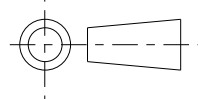


ISS.	DATE	E.C.N.	DESCRIPTION
1	29-Jun-10		FIRST ISSUE
1A	18-Apr-11	04/11/1296	UPDATE DIMENSIONS & NOTES TO STANDARD FORMAT
1B	12-Mar-12	03/12/1331	REDUCE GATE LENGTH FROM 16.0 MM TO 15.0MM

© 2011 CTP-COIL
ALL DIMENSIONS IN mm



CUSTOMER DRAWING



CARCLO TECHNICAL PLASTICS (SLOUGH) LTD.
103 BUCKINGHAM AVE, SLOUGH
SL1 4PF, ENGLAND
TEL: +44 1753 575011 FAX: +44 1753 811359
e-mail: design@carclo-optics.com

GENERAL TOLERANCES (UNLESS STATED)

LINEAR	ANGULAR
X +/- 0.25	X +/- 1°
X.X +/- 0.1	X.X +/- 0.5°
X.XX +/- 0.05	X.XX +/- 0.1°

CUSTOMER

CARCLO

TITLE

30MM LED OPTIC
ELLIPTICAL BEAM

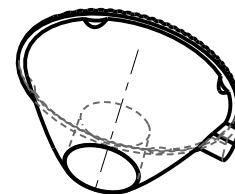
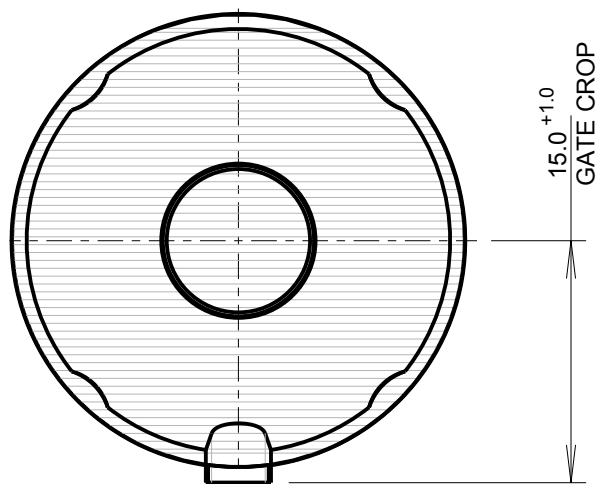
DRAWN BB DATE 31-Jul-09

CHK'D AB DATE 20-Mar-12

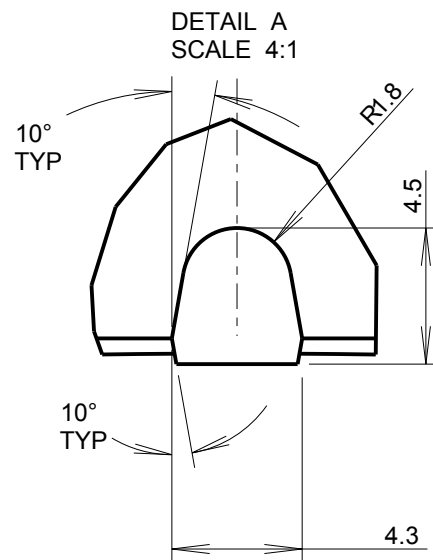
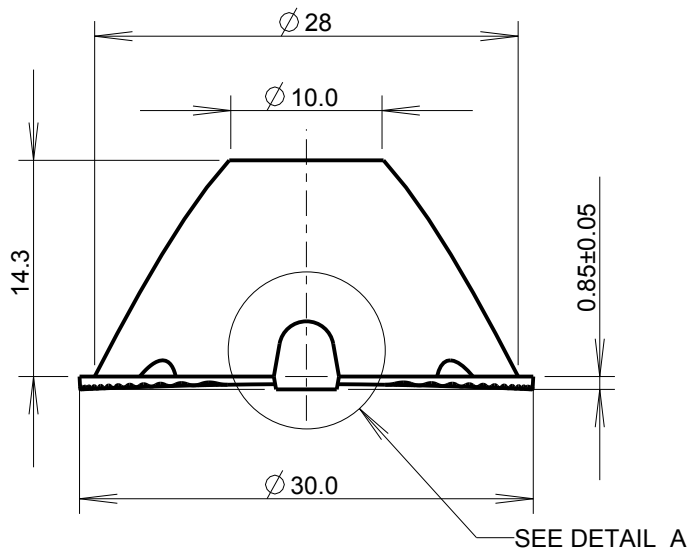
APP'D PW DATE 20-Mar-12

SCALE 2:1 COIL PART No. 10759

SIZE A4 COIL DRG. No. 60580 SHEET 2 OF 2



SCALE 1:1
GENERAL VIEW



MATERIAL: POLYCARBONATE

Mouser Electronics

Authorized Distributor

Click to View Pricing, Inventory, Delivery & Lifecycle Information:

[Carclo:](#)

[10759](#)