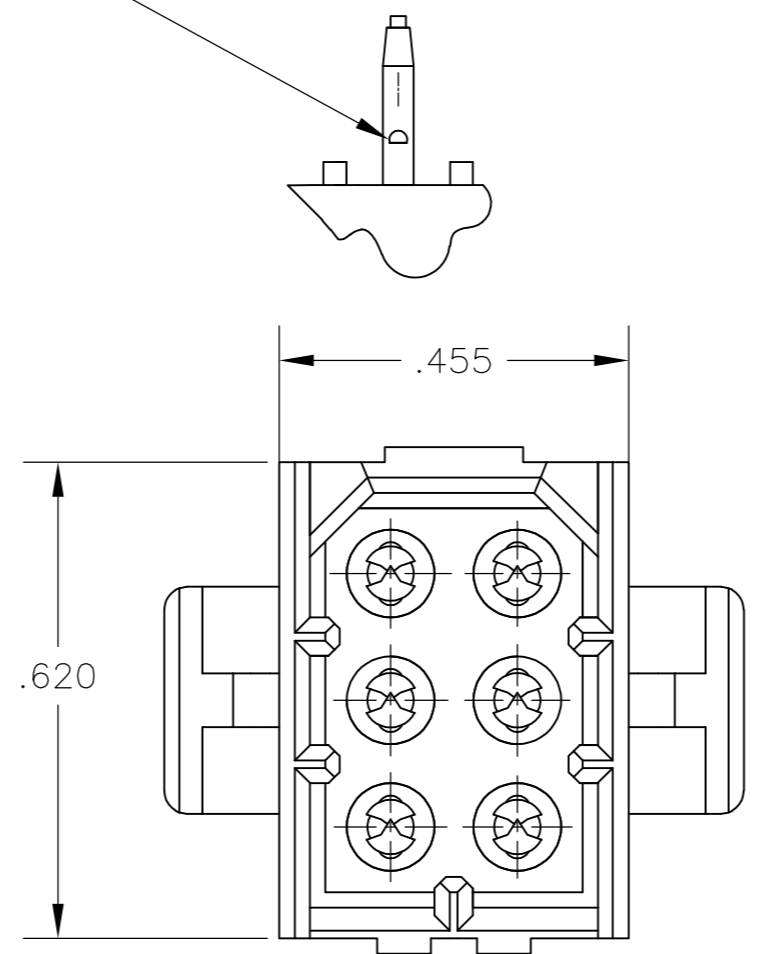
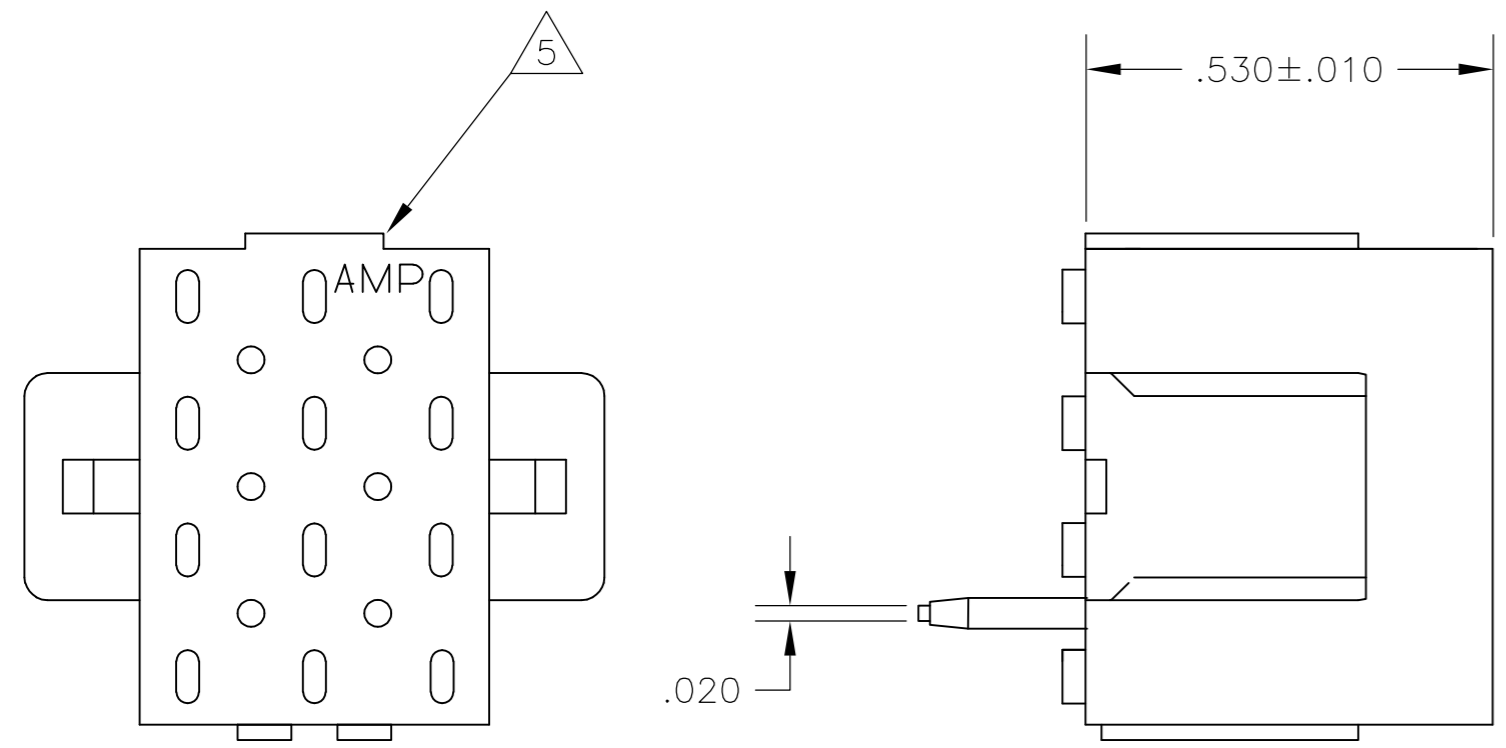


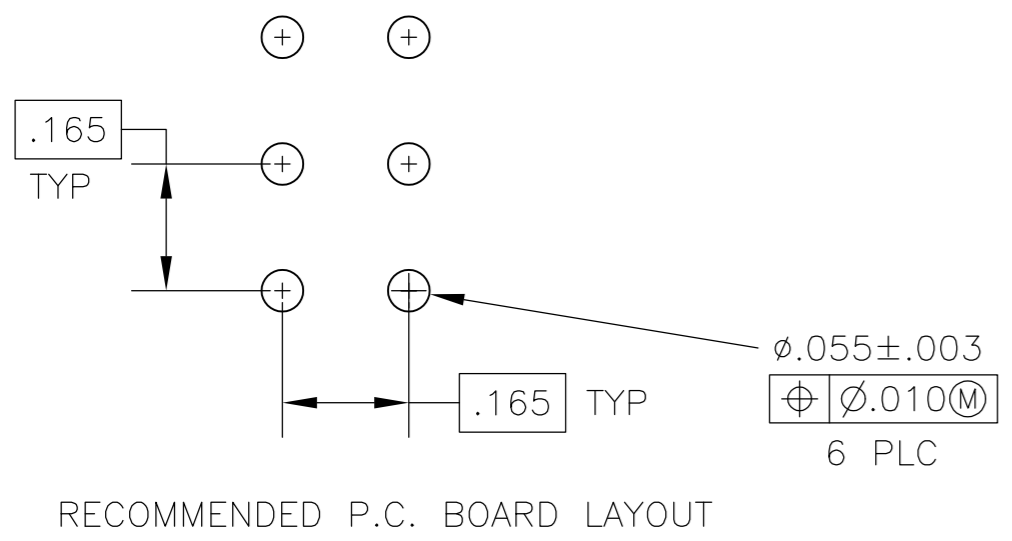
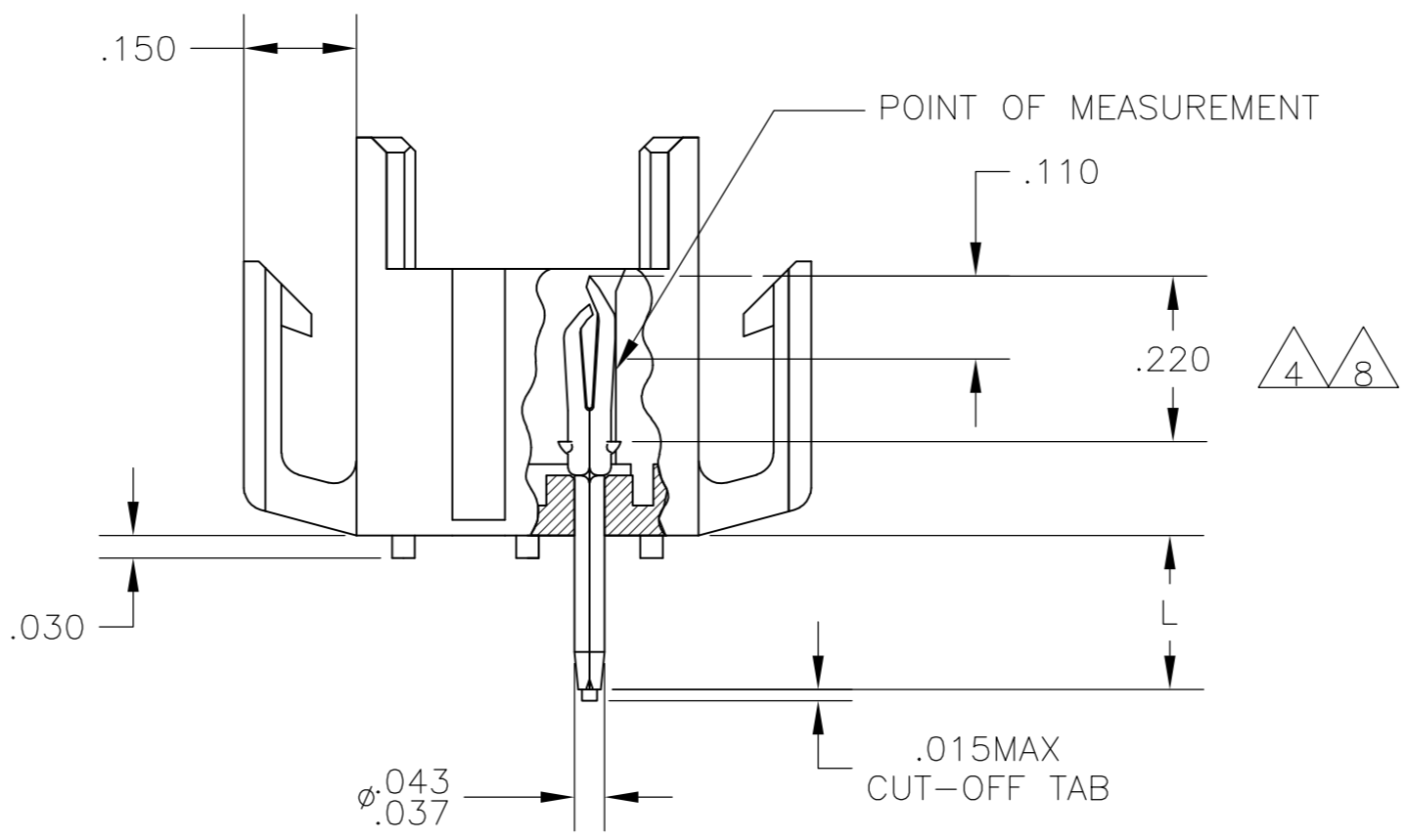
THIS DRAWING IS UNPUBLISHED. RELEASED FOR PUBLICATION  
 © COPYRIGHT - By - ALL RIGHTS RESERVED.

| REVISIONS |     |                           |           |     |      |
|-----------|-----|---------------------------|-----------|-----|------|
| P         | LTR | DESCRIPTION               | DATE      | DWN | APVD |
| P         |     | REVISED PER ECO-16-004940 | 08AUG2016 | NK  | MZ   |

ANTI SOLDER WICKING TAB



- 1 FITS SOCKET HOUSING 640520.
- 2 ASSEMBLY CONFORMS TO AMP SOLDERABILITY SPEC. 109-11-3.
- 3 FOR USE WITH .063 THICK P.C. BOARD.
- 4 CONTACT IS PLATED OVERALL WITH.000050 NICKEL, THEN .000030 GOLD OVER CONTACT LENGTH INDICATED AND .000150 MATTE TIN-LEAD ON SOLDER TAIL END.
- 5 UL AND CSA LOGO LOCATED ON THIS SURFACE.
- 6 FOR USE WITH .120 THICK P.C. BOARD.
- 7 FOR USE WITH .093 THICK P.C. BOARD.
- 8 CONTACT IS PLATED OVERALL WITH.000050 NICKEL, THEN .000030 GOLD OVER CONTACT LENGTH INDICATED AND .000150 MATTE TIN ON SOLDER TAIL END.



RECOMMENDED P.C. BOARD LAYOUT

| OBsolete | Dimension          | Color         | Finish     | Part Number |
|----------|--------------------|---------------|------------|-------------|
|          | .180               | BRICK RED     | GOLD       | 2-640500-6  |
|          | .210               | BRICK RED     | GOLD       | 2-640500-4  |
|          | .150               | BRICK RED     | GOLD       | 2-640500-2  |
|          | .180               | BRICK RED     | GOLD       | 640500-6    |
|          | .180               | BRICK RED     | PRE-TIN    | 640500-5    |
|          | .210               | BRICK RED     | GOLD       | 640500-4    |
|          | .210               | BRICK RED     | PRE-TIN    | 640500-3    |
|          | .150               | BRICK RED     | GOLD       | 640500-2    |
|          | .150               | BRICK RED     | PRE-TIN    | 640500-1    |
|          | "L" +.010<br>-.020 | HOUSING COLOR | PIN FINISH | PART NUMBER |

| IN      | MM      | IN   | MM   | IN   | MM   | IN   | MM    |
|---------|---------|------|------|------|------|------|-------|
| .010    | 0.25    | .055 | 1.40 | .210 | 5.33 | -    | -     |
| .008    | 0.20    | .043 | 1.09 | .180 | 4.57 | -    | -     |
| .005    | 0.13    | .037 | 0.94 | .165 | 4.19 | .620 | 15.75 |
| .003    | 0.08    | .030 | 0.76 | .150 | 3.81 | .530 | 13.46 |
| .000050 | 0.00127 | .020 | 0.51 | .110 | 2.79 | .455 | 11.56 |
| .000030 | 0.00076 | .015 | 0.38 | .063 | 1.60 | .220 | 5.59  |
| IN      | MM      | IN   | MM   | IN   | MM   | IN   | MM    |

CONVERSION TABLE

THIS DRAWING IS A CONTROLLED DOCUMENT.

DWN: J. HUFFMAN 28APR98  
 CHK: R. SWING 28APR98  
 APVD: T. BEDDICK 28APR98

TE Connectivity

NAME: HEADER ASSEMBLY, PIN, 6 POSITION, MR.

SIZE: A2 CAGE CODE: 00779 DRAWING NO: 640500 RESTRICTED TO: -

WEIGHT: CUSTOMER DRAWING SCALE: 4:1 SHEET: 1 of 1 REV: P

MATERIAL: HOUSING:FLAME RETARDANT NYLON UL 94V-0 PIN:008 PH. BRZ. FINISH: SEE TABLE

TOLERANCES UNLESS OTHERWISE SPECIFIED:  
 0 PLC ± -  
 1 PLC ± -  
 2 PLC ± -  
 3 PLC ± .005  
 4 PLC ± -  
 ANGLES ± 0°30'

# Mouser Electronics

Authorized Distributor

Click to View Pricing, Inventory, Delivery & Lifecycle Information:

[TE Connectivity:](#)

[2-640500-4](#)