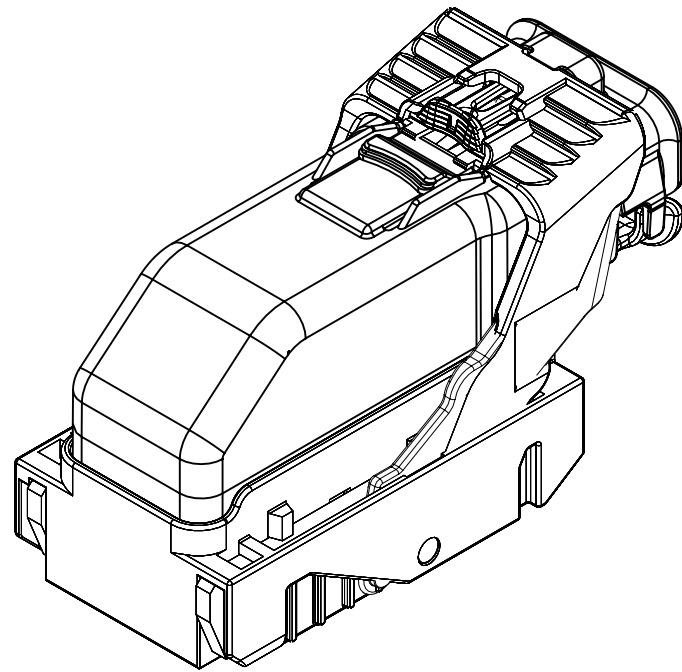

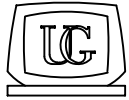


INDEX	
PAGE TITLE	PAGE
TITLE BLOCK	1
REVISION BLOCK	2
PART BLOCK	3
KPC BLOCK	4
COMPONENT TABLE	5
NOTES	6
NOTES	7
WIRE DRESS PACKAGING DIMENSIONS	8
LOCATION AND PACKAGING DIMENSIONS REFERENCING INTERFACE DATUMS B & C	9
LOCATION AND PACKAGING DIMENSIONS REFERENCING INTERFACE DATUM A	10
KEY ID REF - WIRE DRESS OPTION 0	11
KEY ID REF - WIRE DRESS OPTION 9	12
CIRCUIT CONFIGURATIONS	13
CIRCUIT CONFIGURATIONS	14
COMPONENT CONNECTOR INTERFACE	15
COMPONENT CONNECTOR INTERFACE	16
COMPONENT CONNECTOR INTERFACE	17
COMPONENT CONNECTOR INTERFACE	18
COMPONENT CONNECTOR INTERFACE	19
COMPONENT CONNECTOR INTERFACE	20
COMPONENT CONNECTOR INTERFACE	21




ISO VIEW

	<p>UNLESS OTHERWISE SPECIFIED: THIS DOCUMENT IS IN ACCORDANCE WITH ASME Y14.5M-1994 AS AMMENDED BY THE GM GLOBAL DIMENSIONING AND TOLERANCING ADDENDUM-1997. ALL GEOMETRIC TOLERANCES AND RELATED DATUMS APPLY RFS. RULE #1 (PERFECT FORM AT MMC) DOES NOT APPLY WHEN A RELATIONSHIP BETWEEN FEATURES IS ESTABLISHED BY ORIENTATION OR LOCATION TOLERANCES. SEPARATE POSITION CALLOUTS MAY BE GAGED SEPARATELY REGARDLESS OF DATUM REFERENCES.</p>			DATE						
	 CHANGE RESTRICTED NO MANUAL CHANGES	REFERENCE 12H (MOLEX AUTOMOTIVE)	DRAFTER J SZYMKOWSKI APVD1 D PFAFFINGER APVD2 B BURT APVD3 APVD4 APVD5	22DE05 22DE05 22DE05 						
DO NOT SCALE	DRAWING NAME HARNESS CONN ASM 66/73/80 CKTS									
METRIC DIMENSIONS SHOWN IN MILLIMETERS UNLESS OTHERWISE SPECIFIED	DRAWING NUMBER 12642695		DWG STATUS <table border="1"> <tr> <th>ST</th> <th>REV</th> <th>PD1</th> </tr> <tr> <td>R</td> <td>002</td> <td></td> </tr> </table>		ST	REV	PD1	R	002	
ST	REV	PD1								
R	002									
			PAGE NUMBER 1 OF 21							

PAGE	DWG STATUS					REVISION HISTORY	AUTH	DR	CK	ENG
	DATE	ST	REV	CHG	PDI					
	19DE11	R	001			RELEASED TO PRODUCTION AT DLS A	CRMRJB	SC	MRO	GF
3	08MY15	R	002	A		REORDERED PART BLOCK AND ADDED MASS CORRECTED P/N TYPO FROM 12562676 TO 12582676				
3, 5		R	002	B		ADDED 12659312, 12659313, 12653574 AND 12653575				
6		R	002	C		REMOVED NOTE 1 . D . 3 . C				
20		R	002	D		DIM 125 WAS 3.25 DIM 131 WAS 5.5	CRMRJD	DFK	MRO	GF

PAGE	DWG STATUS					REVISION HISTORY	AUTH	DR	CK	ENG
	DATE	ST	REV	CHG	PDI					

	PAGE TITLE	DRAWING NUMBER	DWG STATUS			PAGE NUMBER	
	REVISION BLOCK		12642695	ST	REV	PDI	2 OF 21
				R	002		

KEY PRODUCT CHARACTERISTICS
(IN ACCORDANCE WITH QN 1805 OR ON 1050)



SAFETY/COMPLIANCE

TOTAL ON
DRAWING

5



FIT/FUNCTION

LAST NO.
USED

5

NO	TYPE	DESCRIPTION	RATIONALE	PAGE/ZONE
1	F/F	32.68	IMPROVE CONNECTOR SYSTEM MATING	15
2	F/F	29.00	INSURE PROPER RELEASE OF LEVER	15
3	F/F	15.25	INSURE FINAL MATE POSITION	16
5	F/F	POSITIONAL TOLERANCE (2 PLACES)	INSURE CONNECTOR SYSTEM MATEABILITY	19



PAGE TITLE
KPC BLOCK

DRAWING NUMBER

12642695

DWG STATUS

ST	REV	PD1
----	-----	-----

R	002	
---	-----	--

PAGE NUMBER

4 OF 21

LINE	MFG.	MFG. P/N	GM P/N	EFFECTIVE DATE	APPLICABLE COMPONENTS	KEY OPTION	WIRE DRESS OPTION	KEY CONFIG.	COLOR	STATUS
					DESCRIPTION					
-										
1	MOLEX	34565-0003	12582676	02JN03	MX123 DRESS COVER 66/73/80 CKT	N/A	N/A	N/A	BLACK	AVAILABLE
2	MOLEX	34822-0013	12642692	01SP13	MX123 HRNS CONN ASSY 66 CKT	A	0	1458	BLACK	AVAILABLE
3	MOLEX	34822-0033	12659312	01SP13	MX123 HRNS CONN ASSY 66 CKT	C	0	2467	BLUE	AVAILABLE
4	MOLEX	34822-0023	12642693	01SP13	MX123 HRNS CONN ASSY 66 CKT	A	9	1458	BLACK	AVAILABLE
5	MOLEX	34822-0043	12659313	01SP13	MX123 HRNS CONN ASSY 66 CKT	C	9	2467	BLUE	AVAILABLE
6	MOLEX	34566-0103	12582677	11JN04	MX123 HRNS CONN ASSY 73 CKT	A	0	1458	BLACK	AVAILABLE
7	MOLEX	34566-0203	12582678	11JN04	MX123 HRNS CONN ASSY 73 CKT	B	0	1468	ST GRAY	AVAILABLE
8	MOLEX	34566-0303	12615654	09AP08	MX123 HRNS CONN ASSY 73 CKT	C	0	2467	BLUE	AVAILABLE
9	MOLEX	34566-0403	12647268	T.B.D	MX123 HRNS CONN ASSY 73 CKT	D	0	2367	BROWN	NOT ACTIVE
10	MOLEX	34566-0503	AMJ28633	T.B.D	MX123 HRNS CONN ASSY 73 CKT	E	0	2468	GREEN	NOT ACTIVE
11	MOLEX	34566-0603	12653574	05DC14	MX123 HRNS CONN ASSY 73 CKT	F	0	1357	NATURAL	AVAILABLE
12	MOLEX	34566-0703	12588057	09AP08	MX123 HRNS CONN ASSY 80 CKT	G	0	1358	BLUE	AVAILABLE
13	MOLEX	34566-0803	12588058	11JN04	MX123 HRNS CONN ASSY 80 CKT	H	0	2458	ST GRAY	AVAILABLE
14	MOLEX	34566-0903	12615656	T.B.D	MX123 HRNS CONN ASSY 80 CKT	J	0	2457	BLACK	NOT ACTIVE
15	MOLEX	34566-1003	AMJ28595	T.B.D	MX123 HRNS CONN ASSY 80 CKT	K	0	2357	BROWN	NOT ACTIVE
16	MOLEX	34566-1103	AMJ29057	T.B.D	MX123 HRNS CONN ASSY 80 CKT	L	0	2368	GREEN	NOT ACTIVE
17	MOLEX	34566-1203	AMJ28669	T.B.D	MX123 HRNS CONN ASSY 80 CKT	M	0	2358	NATURAL	NOT ACTIVE
18	MOLEX	34566-1303	12603596	11JN04	MX123 HRNS CONN ASSY 73 CKT	A	9	1458	BLACK	AVAILABLE
19	MOLEX	34566-1403	12603597	11JN04	MX123 HRNS CONN ASSY 73 CKT	B	9	1468	ST GRAY	AVAILABLE
20	MOLEX	34566-1503	12615655	09AP08	MX123 HRNS CONN ASSY 73 CKT	C	9	2467	BLUE	AVAILABLE
21	MOLEX	34566-1603	12647269	T.B.D	MX123 HRNS CONN ASSY 73 CKT	D	9	2367	BROWN	NOT ACTIVE
22	MOLEX	34566-1703	AMJ28698	T.B.D	MX123 HRNS CONN ASSY 73 CKT	E	9	2468	GREEN	NOT ACTIVE
23	MOLEX	34566-1803	12653575	05DC14	MX123 HRNS CONN ASSY 73 CKT	F	9	1357	NATURAL	AVAILABLE
24	MOLEX	34566-1903	12603598	09AP08	MX123 HRNS CONN ASSY 80 CKT	G	9	1358	BLUE	AVAILABLE
25	MOLEX	34566-2003	12603599	11JN04	MX123 HRNS CONN ASSY 80 CKT	H	9	2458	ST GRAY	AVAILABLE
26	MOLEX	34566-2103	12615657	T.B.D	MX123 HRNS CONN ASSY 80 CKT	J	9	2457	BLACK	NOT ACTIVE
27	MOLEX	34566-2203	AMJ29117	T.B.D	MX123 HRNS CONN ASSY 80 CKT	K	9	2357	BROWN	NOT ACTIVE
28	MOLEX	34566-2303	AMJ29136	T.B.D	MX123 HRNS CONN ASSY 80 CKT	L	9	2368	GREEN	NOT ACTIVE
29	MOLEX	34566-2403	AMJ29214	T.B.D	MX123 HRNS CONN ASSY 80 CKT	M	9	2358	NATURAL	NOT ACTIVE
30	MOLEX	34736-2002	12642697	01AU10	MX64 RCPT TERM Ag 18/20 GAGE B (RIGHT PAYOFF)	N/A	N/A	N/A	N/A	AVAILABLE
31	MOLEX	34736-2001	12642696	01AU10	MX64 RCPT TERM Ag 22 GAGE B (RIGHT PAYOFF)	N/A	N/A	N/A	N/A	AVAILABLE
32	MOLEX	34586-0001	T.B.D.	11JN04	MX123 0.64MM GROMMET PLUG	N/A	N/A	N/A	NATURAL	AVAILABLE
33	YAZAKI	7116-4150-02	12588066	02JN03	2.8mm YESC SEALED FEMALE TERMINAL TIN 20/22 GAGE (CABLE RANGE 0.30mm-0.60mm)	N/A	N/A	N/A	N/A	NOT ACTIVE
34	YAZAKI	7116-4151-02	12588067	02JN03	2.8mm YESC SEALED FEMALE TERMINAL TIN 16/18 GAGE (CABLE RANGE 0.75mm-1.40mm)	N/A	N/A	N/A	N/A	NOT ACTIVE
35	YAZAKI	7116-4152-02	12582685	02JN03	2.8mm YESC SEALED FEMALE TERMINAL TIN 14 GAGE (CABLE RANGE 1.50mm-2.50mm)	N/A	N/A	N/A	N/A	AVAILABLE
36	YAZAKI	7158-3111-60	12588068	02JN03	2.8mm CABLE SEAL (wire O.D. range 1.20mm-1.90mm)	N/A	N/A	N/A	GREEN	NOT ACTIVE
37	YAZAKI	7158-3112-70	12588069	02JN03	2.8mm CABLE SEAL (wire O.D. range 1.80mm-2.30mm)	N/A	N/A	N/A	YELLOW	NOT ACTIVE
38	YAZAKI	7158-3113-40	12582686	02JN03	2.8mm CABLE SEAL (wire O.D. range 2.18mm-3.00mm)	N/A	N/A	N/A	WHITE	AVAILABLE
39	YAZAKI	7158-3114-90	T.B.D	02JN03	2.8mm YESC CAVITY PLUG	N/A	N/A	N/A	BLUE	AVAILABLE
40	MOLEX	63811-4200	XX019825	02JN03	MX64 TERM HAND CRIMP TOOL	N/A	N/A	N/A	N/A	AVAILABLE
41	MOLEX	63813-1400	XX019826	02JN03	MX64 TERM SERVICE TOOL	N/A	N/A	N/A	N/A	AVAILABLE
42	MOLEX	63865-8000	XX019827	02JN03	MX64 CRIMP APPLICATOR with TOOL KIT 18/20 GAGE PAYOFF DIRECTION D (left payoff) (contact Molex for payoff detail)	N/A	N/A	N/A	N/A	AVAILABLE
43	MOLEX	63865-8070	XX019828	02JN03	MX64 APPLICATOR TOOL KIT 18/20 GAGE	N/A	N/A	N/A	N/A	AVAILABLE
44	MOLEX	63865-8100	XX019829	02JN03	MX64 CRIMP APPLICATOR with TOOL KIT 22 GAGE PAYOFF DIRECTION D (left payoff) (contact Molex for payoff detail)	N/A	N/A	N/A	N/A	AVAILABLE
45	MOLEX	63865-8170	XX019830	02JN03	MX64 APPLICATOR TOOL KIT 22 GAGE	N/A	N/A	N/A	N/A	AVAILABLE
46	SPX	J35616-64	T.B.D.	02JN03	0.64mm PROBE TOOL (for rcpt)	N/A	N/A	N/A	N/A	AVAILABLE
47	SPX	J35616-64A	T.B.D.	02JN03	0.64mm PROBE TOOL WITH EXT (for rcpt)	N/A	N/A	N/A	N/A	AVAILABLE
48	SPX	J35616-65	T.B.D.	02JN03	0.64mm PROBE TOOL WITH EXT (for pin)	N/A	N/A	N/A	N/A	AVAILABLE
49	SPX	J35616-4A	T.B.D.	02JN03	2.8mm PROBE TOOL (for rcpt)	N/A	N/A	N/A	N/A	AVAILABLE
50	YAZAKI	X39899-J374	12094430	02JN03	2.8mm TERM SERVICE TOOL	N/A	N/A	N/A	N/A	AVAILABLE

002B

* - MX123 DRESS COVER 73/80/66 CKT MATES TO ANY MX123 HARN CONN ASSY SHOWN ON TABLE ABOVE



PAGE TITLE
COMPONENT TABLE

DRAWING NUMBER
12642695

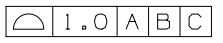
DWG STATUS			PAGE NUMBER
ST	REV	PD1	
R	002		5 OF 21

NOTES: UNLESS OTHERWISE SPECIFIED

1. MATERIAL FOR INTERFACE:

- A. RESIN:
 - 1. 30% G.F. PBT; 20% MAX. (BY WEIGHT) REGRIND.
 - 2. MATING CONNECTOR INTERFACE PART COLOR MUST BE SAME AS MATCHING KEYED HARNESS CONNECTOR ASSEMBLY.
 - 3. MUST BE VALIDATED FOR INDIVIDUAL DEVICE APPLICATION REQUIREMENTS.
- B. 0.64MM PINS:
 - 1. BASE MATERIAL: COPPER ALLOY; CONDUCTIVITY >= 28% IACS AT 20°C; TENSILE STRENGTH >= 635 N/mm²; SURFACE ROUGHNESS R_a 6 MAX.
 - 2. PLATING FINISH: SILVER (Ag). PLATING TO BE 1.9-3.3 μm ELECTRODEPOSITED SEMI-BRIGHT SILVER OVER 1.25-2.25 μm DUCTILE SULPHAMATE NICKEL PER NOTE 1(D).
 - 3. ANTI-TARNISH: SYNTHETIC HYDROCARBON CONTACT SURFACE FINISH OR EQUIVALENT APPLIED WITHOUT VOID TO CONTACT AREA (MIN 3.7mm FROM PIN TIP).
- C. 2.8MM BLADE:
 - 1. BASE MATERIAL: COPPER ALLOY; CONDUCTIVITY >= 28% IACS AT 20°C; TENSILE STRENGTH >= 350 N/mm²; SURFACE ROUGHNESS R_a 6 MAX.
 - 2. PLATING FINISH: TIN. PLATING TO BE 2.5-5.0 μm ELECTRODEPOSITED TIN, MATTE FINISH OVER 1.25-2.5 μm DUCTILE SULPHAMATE NICKEL PER NOTE 1(D).
- D. PLATING REQUIREMENTS:
 - 1. SILVER PLATING
 - a. 99.5% PURE SEMI-BRIGHT WITH NO ORGANIC BRIGHTNERS OR CHROMATES.
 - 2. NICKEL PLATING
 - a. ELECTRODEPOSITED DUCTILE SULFAMATE NICKEL WITH A NON-BRIGHTENED FINISH. NO ORGANIC OR BRIGHTENING AGENTS SHALL BE ALLOWED.
 - b. SHALL ONLY BE USED AS AN UNDERLYING PLATING AND MAY NOT BE USED AS AN ELECTRICAL CONTACT SURFACE PLATING.
 - c. SHALL BE NODULE FREE WHEN VIEWED AT 10X MAGNIFICATION IN MEASURED IN CONTACT SURFACE AREA PLUS 0.5MM PERIMETER AROUND THE CONTACT SURFACE AREA.
 - d. ALL PLATINGS SHALL HAVE A 1.0% MAXIMUM BY WEIGHT IMPURITIES. IMPURITIES ARE DEFINED AS ALL ELEMENTS NOT THE PRIMARY PLATING OR HARDENING AGENT IF APPLICABLE, AS DETERMINED BY WET CHEMICAL ANALYSIS OR AUGER METHOD. NO SINGLE IMPURITY SHALL EXCEED 0.1% MAXIMUM BY WEIGHT.
 - 3. TESTING
 - a. THICKNESS TO BE MEASURED IN CONTACT SURFACE AREA PLUS 0.5MM PERIMETER AROUND THE CONTACT SURFACE AREA AS DESIGNATED IN THE DRAWING. THICKNESS SHALL BE DETERMINED BY METHOD OF X-RAY (XRF).
 - b. PLATING ADHESION SHALL BE TESTED BY A BEND TEST FOR ALL METALS. THE TEST SAMPLE SHALL BE BENT 90 DEGREES TO DETERMINE DEPOSIT ADHESION. TESTING SHALL BE COMPLETED IN ACCORDANCE WITH ASTM SPEC B571.


2. DESIGN - GENERAL:

- A. THIS IS A 100% CAD GENERATED PART. THE CAD MATHEMATICAL DATA IS THE MASTER FOR THIS PART. FOR DIMENSIONAL OR ANY INFORMATION NOT SHOWN ON THIS DRAWING, ANALYZE THE CAD MODEL.
- B. TOLERANCES:
 - 1. LINEAR
 - 0.X ± 0.30
 - 0.XX ± 0.10
 - 0.XXX ± 0.10
 - 2. ANGULAR X° ± 3°
 - 3.  1.0 A B C
- C. MINIMUM WALL THICKNESS REQUIRED: 1.3mm.
- D. CORNERS SHOWN AS SHARP TO BE R 0.2 MAX.
- E. LETTERING SHALL BE 0.15 MAX RAISED IN 0.20 MAX RECESS PAD. THIS INCLUDES MATERIAL CODE, RECYCLING CODE, CAVITY ID AND DATE CODE.
- F-1. PARTS MUST BE FREE OF DISCOLORATION, SALT RESIDUE AND OTHER IMPERFECTIONS THAT AFFECT FIT OR FUNCTION.
- F-2. SCRATCHES OR DENTS NOT TO EXCEED 0.013mm IN DEPTH.
- G. FOLLOWING PRODUCTION CODES TO BE PERMANENTLY MARKED & HUMAN READABLE TO A LETTER HEIGHT OF 1.5 ± 0.5MM X 0.3 MAX DEEP
 - 1. MATERIAL #: XXXXX-XXXX
 - 2. DATE CODE: JJYY (JULIAN DAY, LAST DIGIT OF YEAR)
 - 3. INSPECTION MACHINE CODE + SERIAL #: X_XXXXX

3. DESIGN - MANUFACTURING:

- A. DRAFT TO BE WITHIN TOLERANCE.
- B. ALLOWABLE FLASH MAX 0.2 HIGH X MAX 0.13 THICK.
- C. ALLOWABLE PARTING LINE MISMATCH 0.2 MAX.
- D. EJECTOR PINS MARK TO BE FLUSH TO 0.25 MAX DEPRESSED.
- E. ALLOWABLE GATE VESTIGE FLUSH TO 0.25 MAX PROTRUSION.
- F. NO EXTERNAL MOLD RELEASE AGENT ALLOWED DURING MANUFACTURING.
- G. STEEL THAT FORMS THE INDICATED SURFACE MUST BE POLISHED WITH A DIAMOND FINISH (SPI A-2) OVER THE FULL PERIPHERY OF THE TOOL. SURFACE MUST HAVE NO MISMATCH.
- H. ANY PROCESS LUBRICANT REMAINING ON THE TERMINAL MUST NOT VARNISH OR DEGRADE IT'S ELECTRICAL PERFORMANCE UP TO A MAXIMUM CLASS AMBIENT TEMPERATURE PER SAE USCAR-2 FOR 1008 HOURS. PROCESS LUBRICANTS SHOULD BE APPROVED BY THE RESPONSIBLE ENGINEER.
- J. OPTIONAL FEATURES PROVIDED FOR AUTOMATION.
- K. PART MUST BE FREE FROM BURRS AND SHARP EDGES, WHICH MIGHT BE DETRIMENTAL TO SATISFACTORY ASSEMBLY, SAFE HANDLING OR FUNCTION OF PART.
- L. PARTS AS DELIVERED TO ASSEMBLY SHALL BE CLEAN AND FREE OF DEBRIS, RESIDUAL ABRASIVE MATERIAL AND CORROSION PRODUCTS ADVERESLY AFFECTING FUNCTION OR APPEARANCE.
- M. RESTRICTED AND REPORTABLE SUBSTANCES FOR PARTS PER GMW3059.

002C

	PAGE TITLE	DRAWING NUMBER 12642695	DWG STATUS			PAGE NUMBER 6 OF 21
	NOTES		ST	REV	PDI	
			R	002		

NOTES: UNLESS OTHERWISE SPECIFIED

4. SYSTEM REQUIREMENTS:

A. HARNESS CONNECTOR IS COMPATIBLE WITH THE FOLLOWING SAE WIRE SIZE NO'S:

- 14, MEETING SAE J1128
- 18, MEETING SAE J1128, MAX O.D. OF 2.06 MM
- 20, MEETING SAE J1128
- 22, MEETING SAE J1128, MIN O.D. OF 1.47 MM

B. CABLE TIE SPECIFICATIONS:

- 1. CABLE TIE:
 - TENSILE RATING: 220N / (50lbs) MIN
 - TIE LENGTH: 186mm MIN
 - TIE WIDTH: 4.75mm MAX
 - MATERIAL: NYLON
- 2. INSTALLATION:
 - CABLE TIE TENSION: 190N MIN
- 3. DRESSED WIRE BUNDLE PACKAGING: SEE FIG. 1

C. WHEN MATED WITH COMPONENT CONNECTOR INTERFACE AND/OR DRESS COVER, HARNESS CONNECTOR SYSTEM CONFORMS TO THE FOLLOWING:

- 1. SAE/USCAR-2, REV: 3 APRIL, 2001; CLASS 3
- 2. FIELD CORRELATED LIFE TEST, SAE/USCAR-20, NOV. 2001
- 3. GMW #3191 AUGUST 22, 2000 (DRAFT); TEMPERATURE CLASS 3, SEALING CLASS 1, VIBRATION CLASS 2
- 4. RESTRICTED AND REPORTABLE CHEMICALS PER GMW #3059, REV: D AUGUST 2002
- 5. TPA USER FORCES (FULLY POPULATED WITH TERMINALS)
 - a. REMOVAL FROM LOCK TO PRE-SET: <=120N

D. WIRE SPECIFICATIONS:

- 1. WIRE SURFACE MUST BE FREE OF SCRATCHES, GROOVES OR DENTS WHERE FUNCTIONAL

5. TERMINAL CURRENT RATINGS:

ALL TESTING DONE IN ACCORDANCE WITH USCAR-2 REV5 SECTION 5.3

A. MX64 RCPT TERM

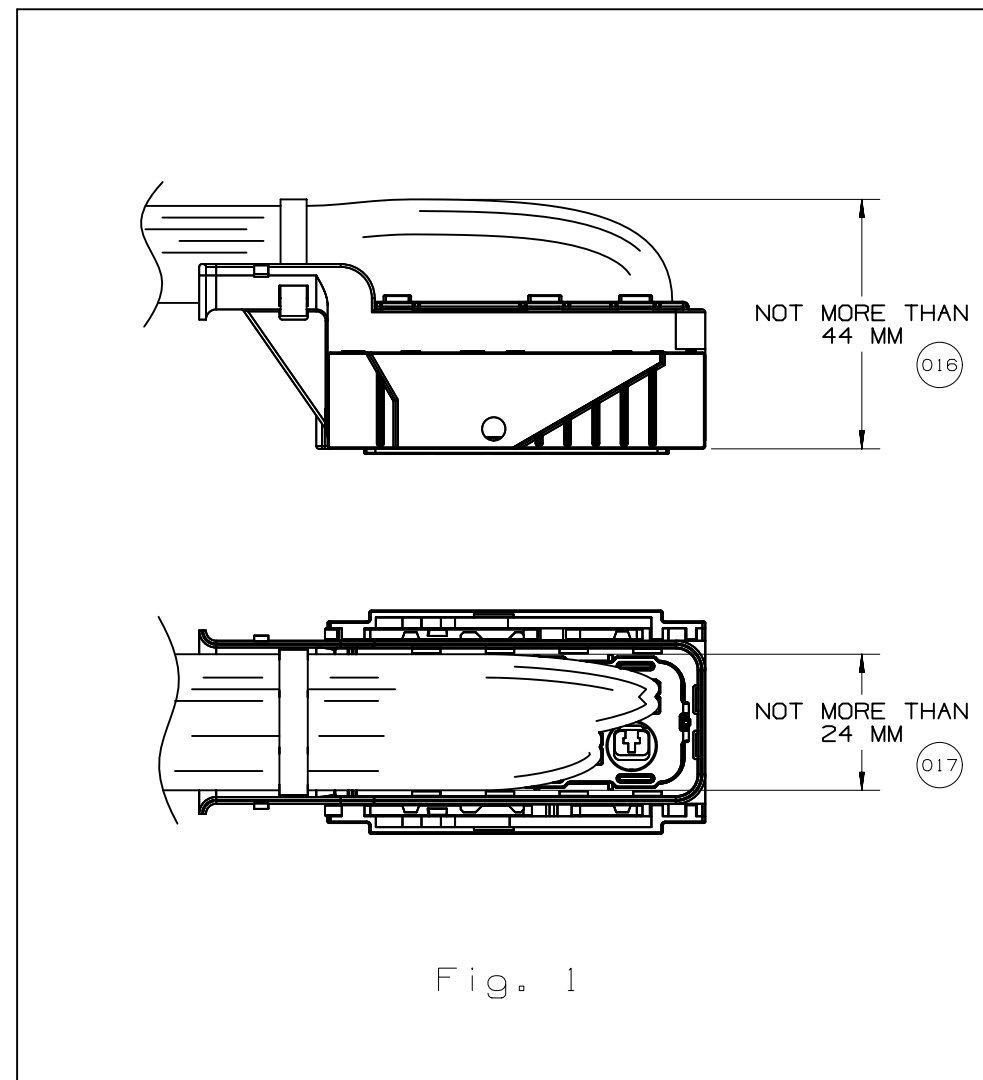
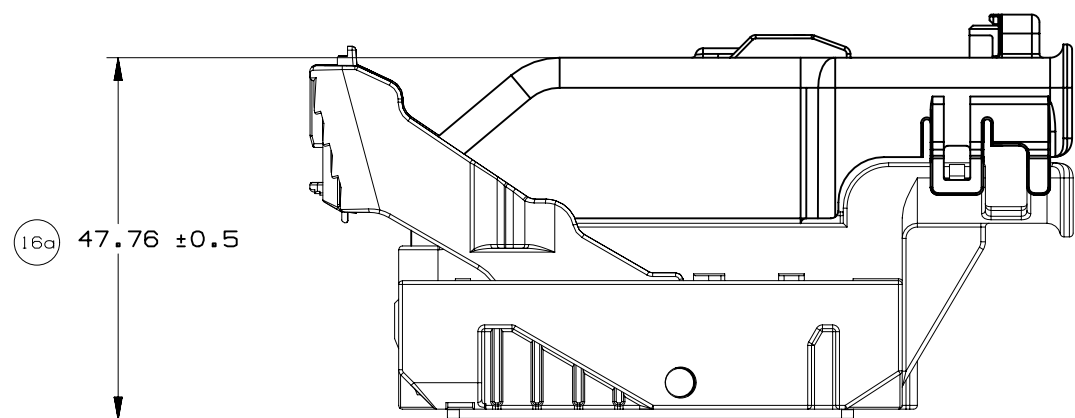
- 1. MX64 RCPT TERM Ag 18/20 GAGE CRIMPED TO SAE WIRE SIZE NO.18 AND MATED TO MX123 0.64MM PIN: 11.3 AMPS
- 2. MX64 RCPT TERM Ag 22 GAGE CRIMPED TO SAE WIRE SIZE NO.22 AND MATED TO MX123 0.64MM PIN:8.5 AMPS

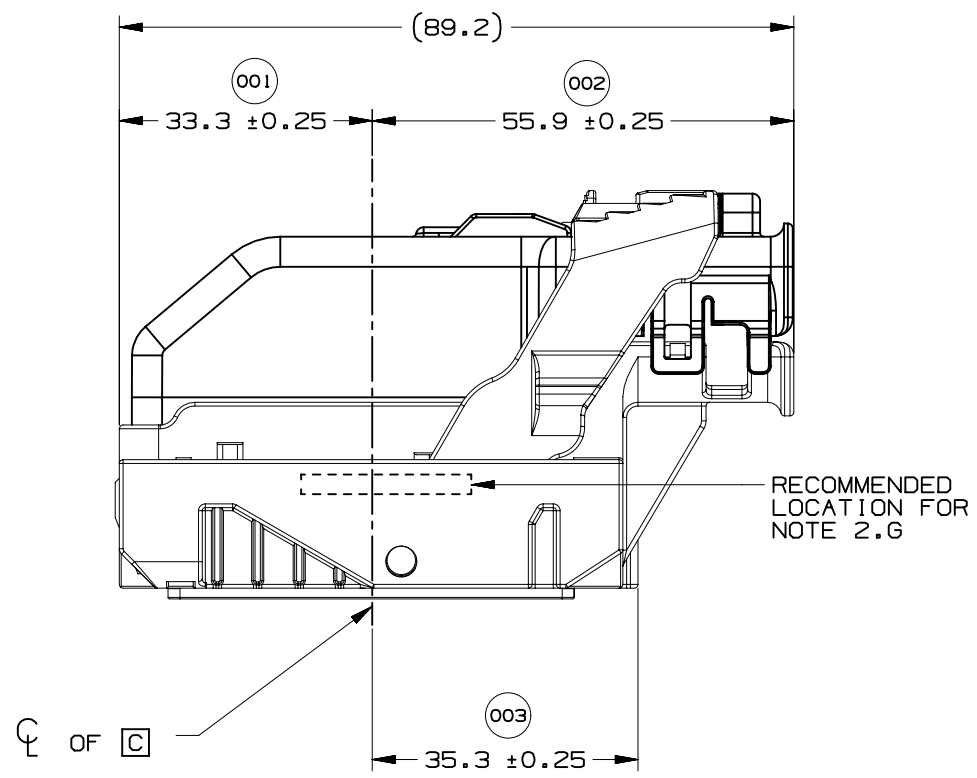
WIRE	CURRENT RATING			
	23°C	85°C	105°C	125°C
18AWG	11.3A	11.3A	9.5A	6.6A
20AWG	10.0A	10.0A	8.3A	5.7A
22AWG	8.6A	8.6A	7.1A	5.0A

B. 2.8MM RCPT TERM

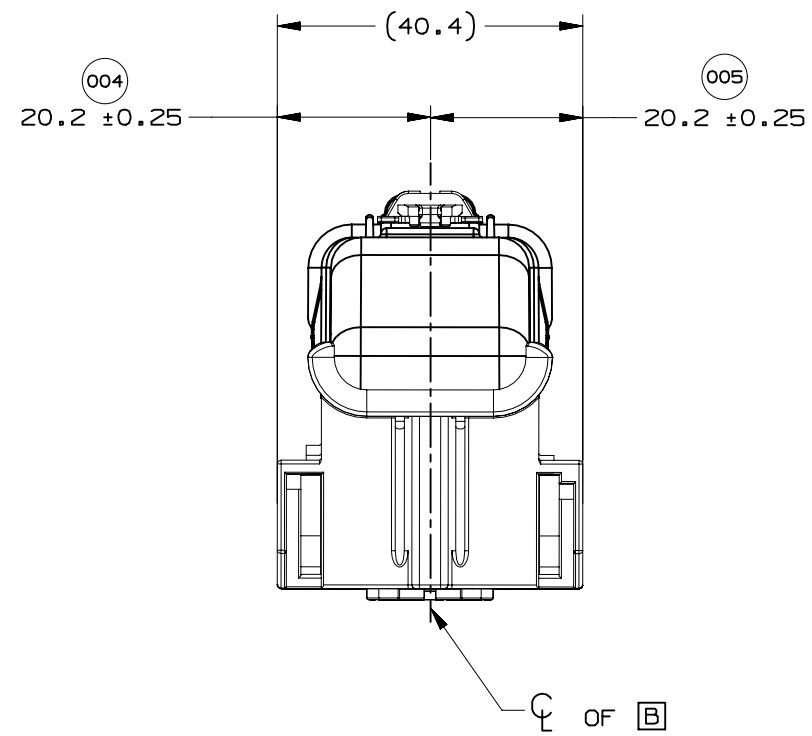
- 1. 2.8MM RCPT TERM TIN 14 GAGE CRIMPED TO SAE WIRE SIZE NO.14 AND MATED TO MX123 2.8MM BLADE: 25.6 AMPS

6. CONTACT MOLEX AUTOMOTIVE FOR AVAILABLE CUSTOM PATTERNS OF CAVITIES OPEN FOR CIRCUITS

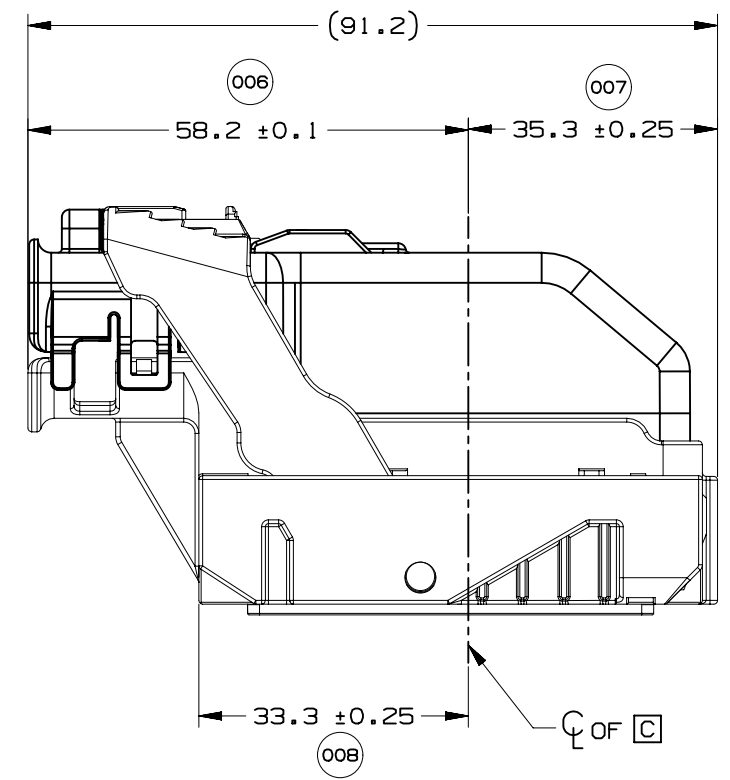




WIRE DRESS OPTION 0 SHOWN

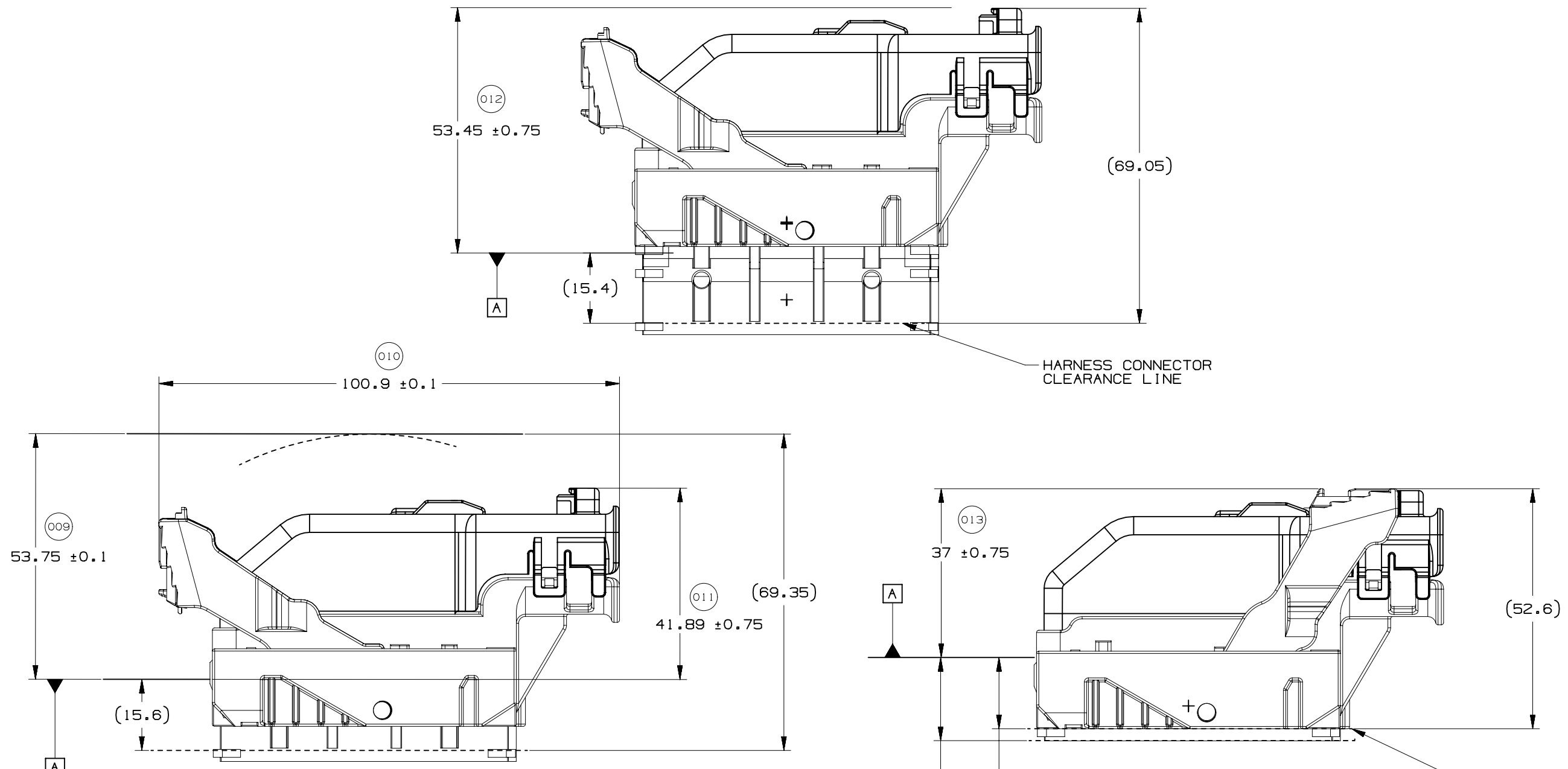


WIRE DRESS OPTION 0 SHOWN



WIRE DRESS OPTION 9 SHOWN





HARNESS CONNECTOR CLEARANCE LINE

HARNESS CONNECTOR ASSEMBLY IN FULLY-MATED POSITION

HARNESS CONNECTOR CLEARANCE LINE

15.6 MIN. ALL AROUND CLEARANCE REQUIRED FOR HARNESS CONNECTOR (014)

17.9 MIN. AT PAD LOCATION CLEARANCE REQUIRED FOR HARNESS CONNECTOR CONSTRUCTION BELOW THIS PLANE IS NOT CONTROLLED (015)

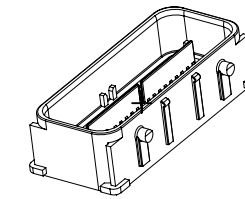
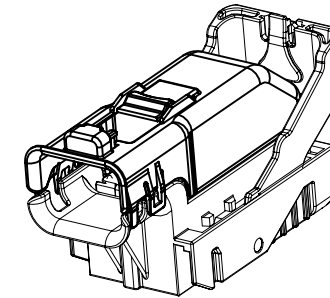
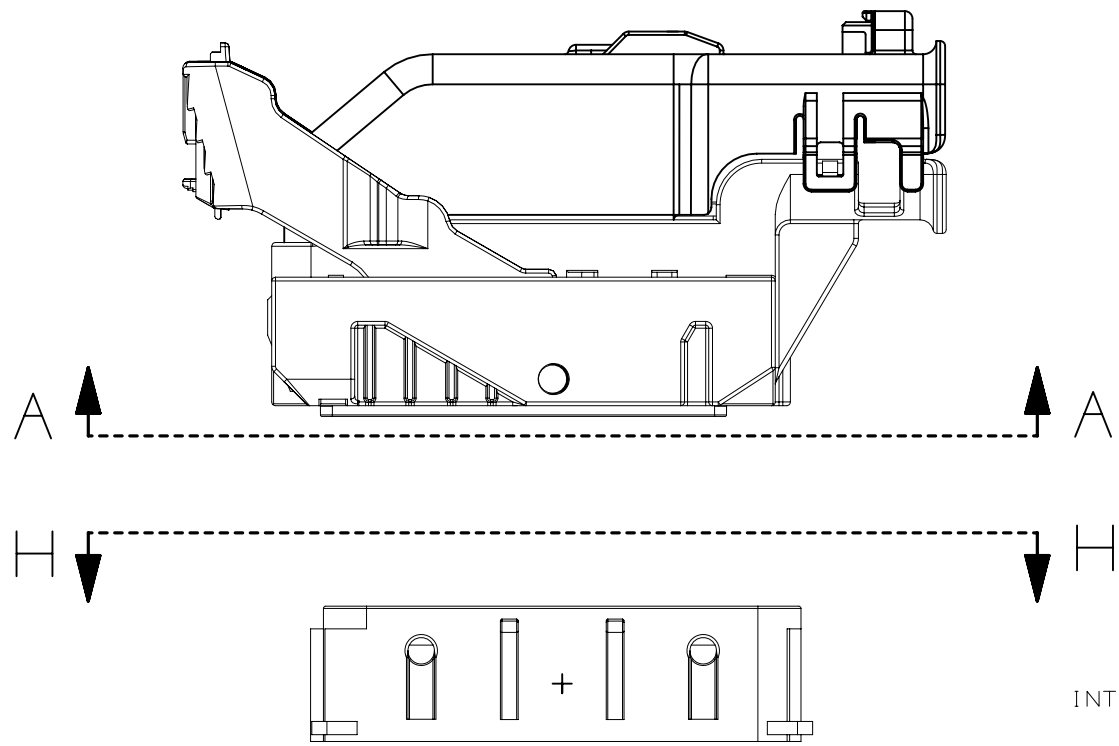


PAGE TITLE
 LOCATION AND PACKAGING DIMENSIONS
 REFERENCING INTERFACE DATUM A

DRAWING NUMBER
 12642695

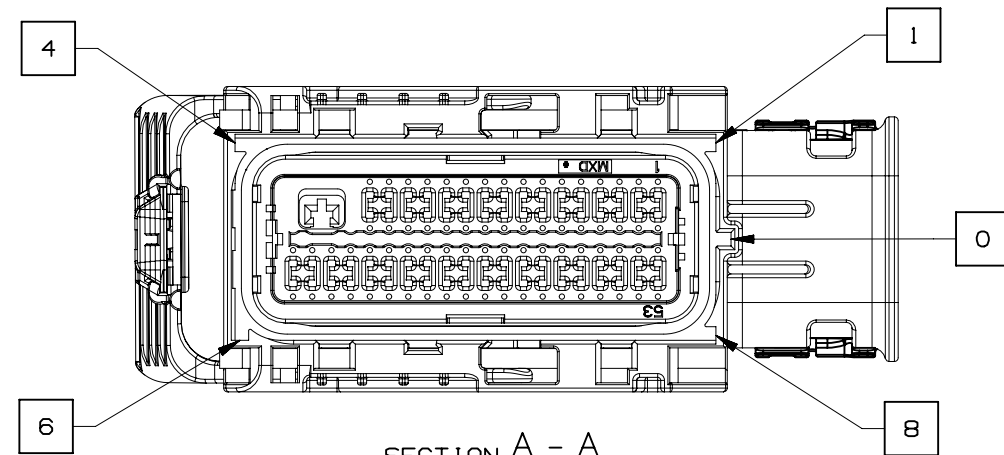
DWG STATUS		
ST	REV	PD1
R	002	

PAGE NUMBER
 10 OF 21

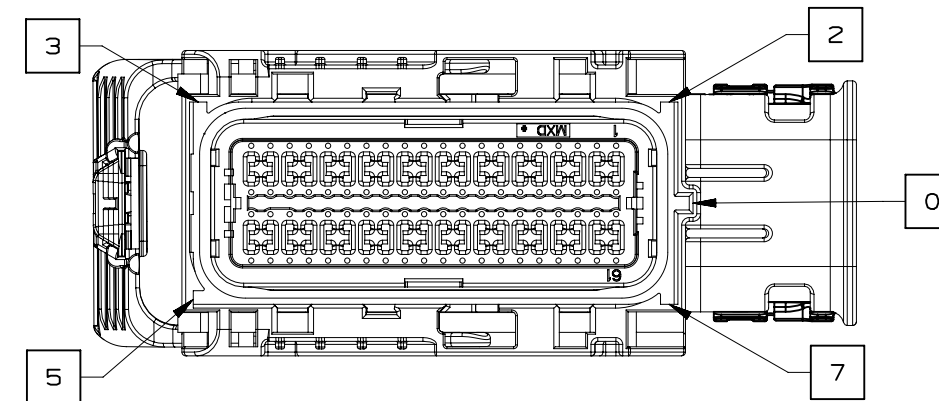


NOTE: REFERENCE THE COMPONENT TABLE FOR KEY OPTIONS AND CONFIGURATIONS

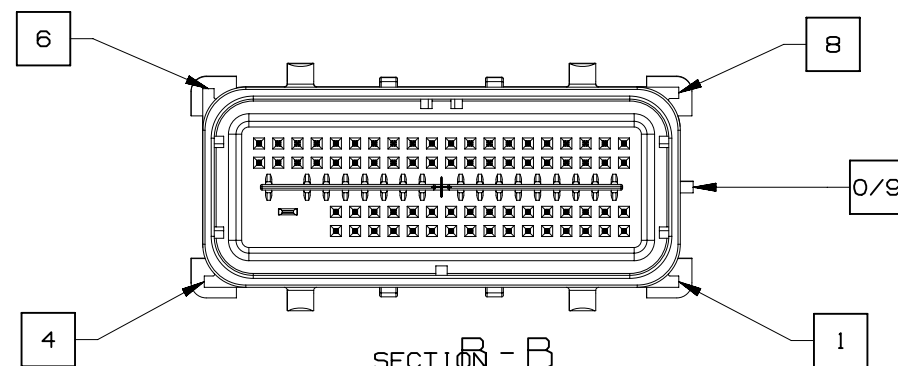
INTERFACE SIDE SHOWN ON ALL SECTION VIEWS



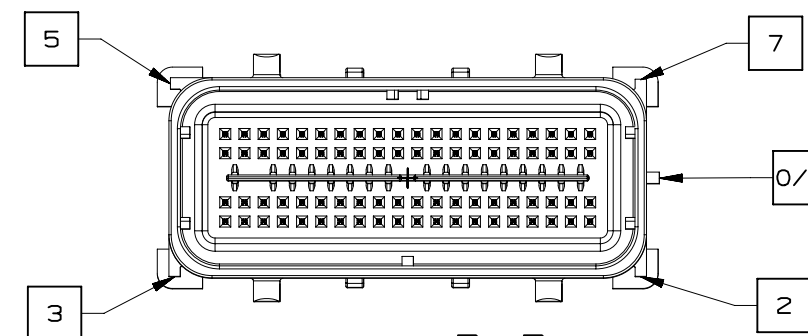
SECTION A - A
KEY OPTION B SHOWN



SECTION A - A
KEY OPTION K SHOWN



SECTION B - B
KEY OPTION B SHOWN



SECTION B - B
KEY OPTION K SHOWN

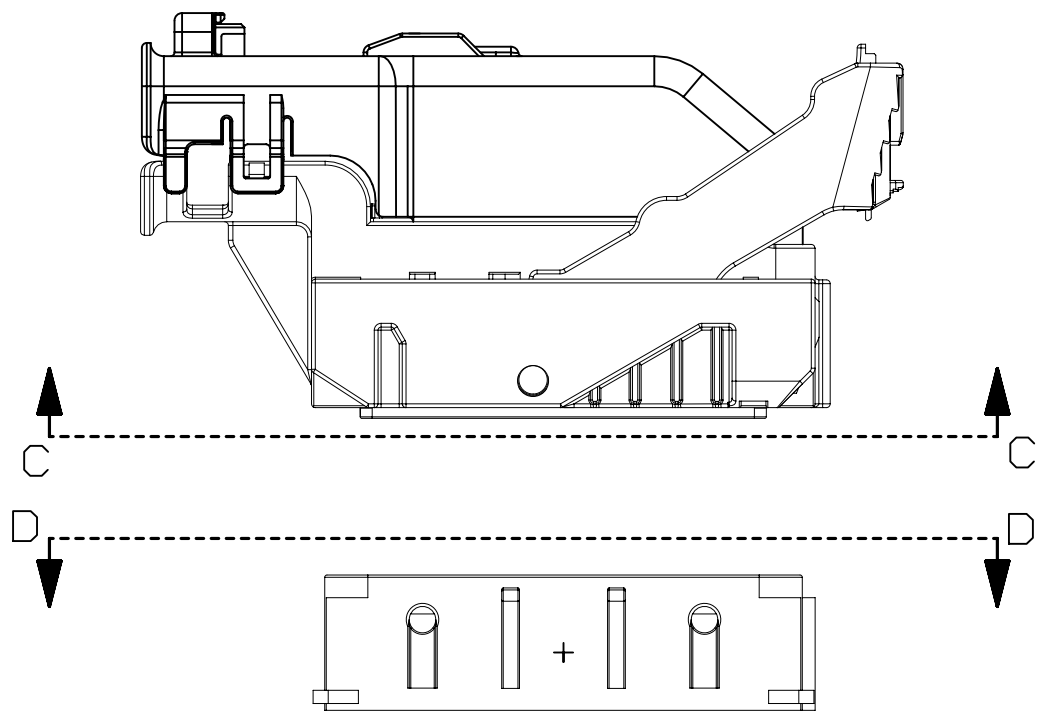


PAGE TITLE
KEY ID REF - WIRE DRESS OPTION 0

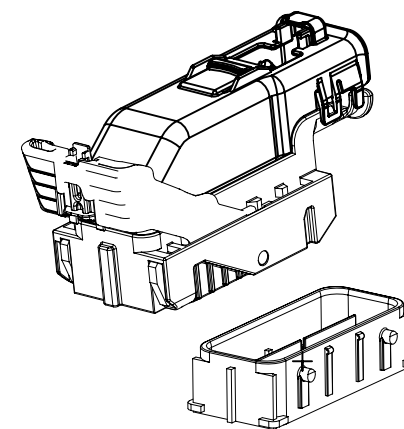
DRAWING NUMBER
12642695

DWG STATUS		
ST	REV	PD1
R	002	

PAGE NUMBER
11 OF 21

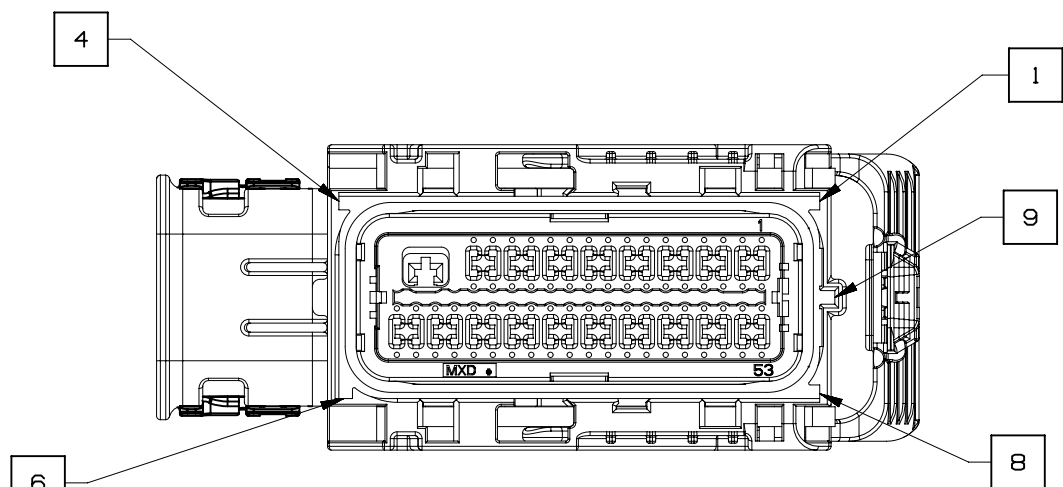


INTERFACE SIDE SHOWN ON ALL SECTION VIEWS

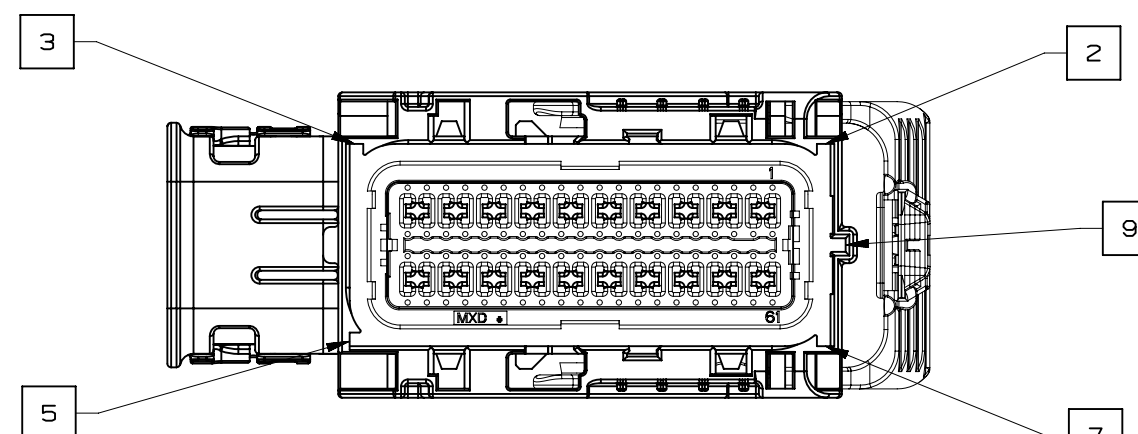


NOTE: REFERENCE THE COMPONENT TABLE FOR KEY OPTIONS AND CONFIGURATIONS

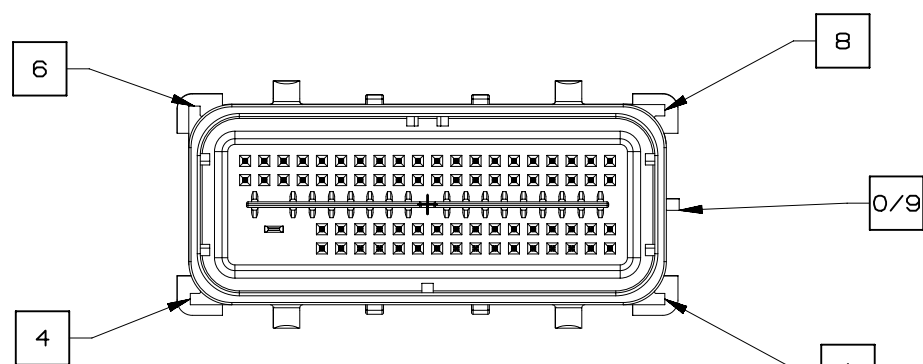
VIEW V



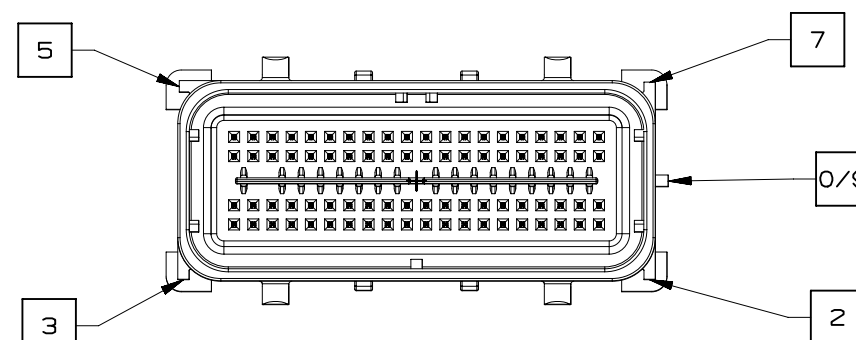
SECTION C-C
KEY OPTION B SHOWN



SECTION C-C
KEY OPTION K SHOWN



SECTION D-D
KEY OPTION B SHOWN



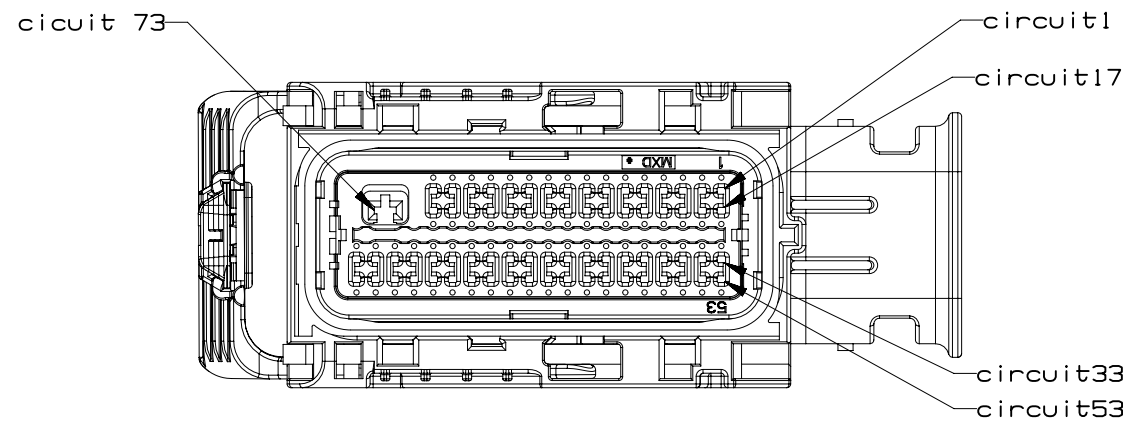
SECTION D-D
KEY OPTION K SHOWN



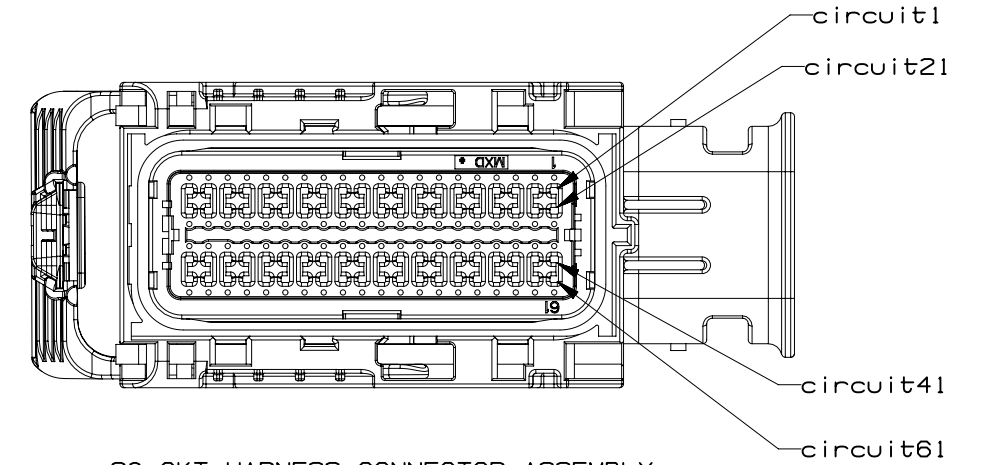
PAGE TITLE
KEY ID REF - WIRE DRESS OPTION 9

DRAWING NUMBER
12642695

DWG STATUS			PAGE NUMBER
ST	REV	PD1	
R	002		12 OF 21

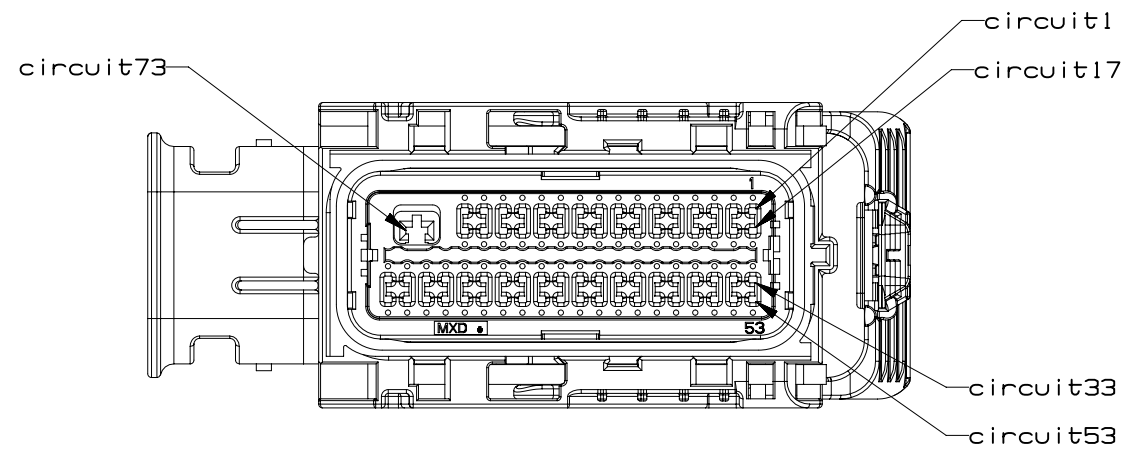


73 CKT HARNESS CONNECTOR ASSEMBLY
WIRE DRESS OPTION 0

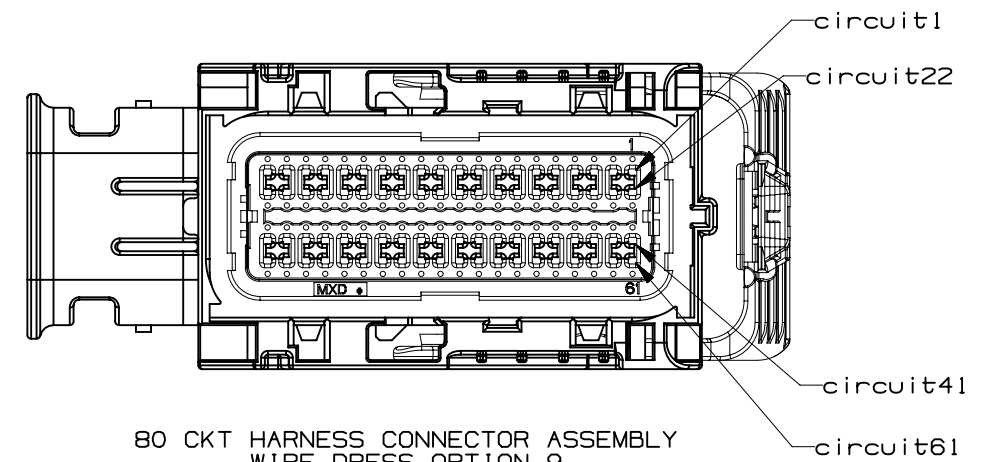


80 CKT HARNESS CONNECTOR ASSEMBLY
WIRE DRESS OPTION 0

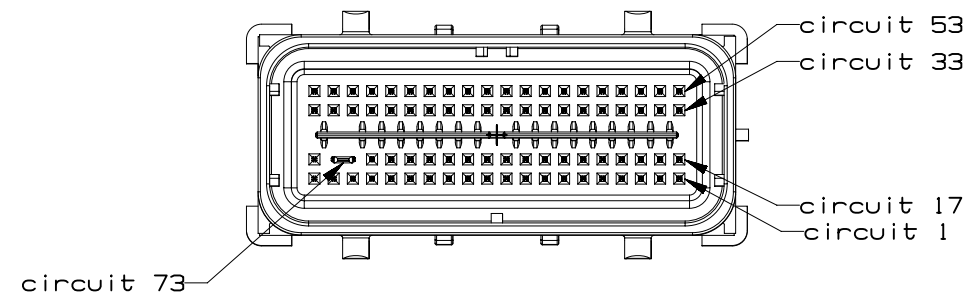
INTERFACE SIDE SHOWN ON ALL VIEWS



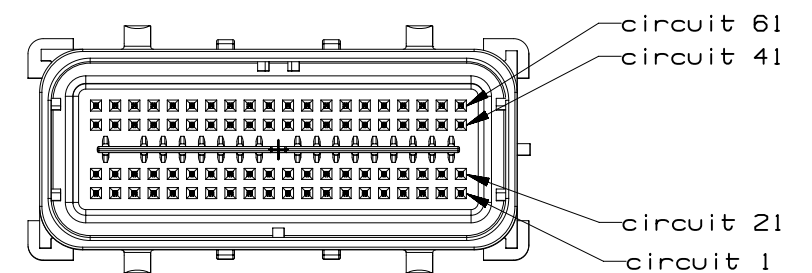
73 CKT HARNESS CONNECTOR ASSEMBLY
WIRE DRESS OPTION 9



80 CKT HARNESS CONNECTOR ASSEMBLY
WIRE DRESS OPTION 9

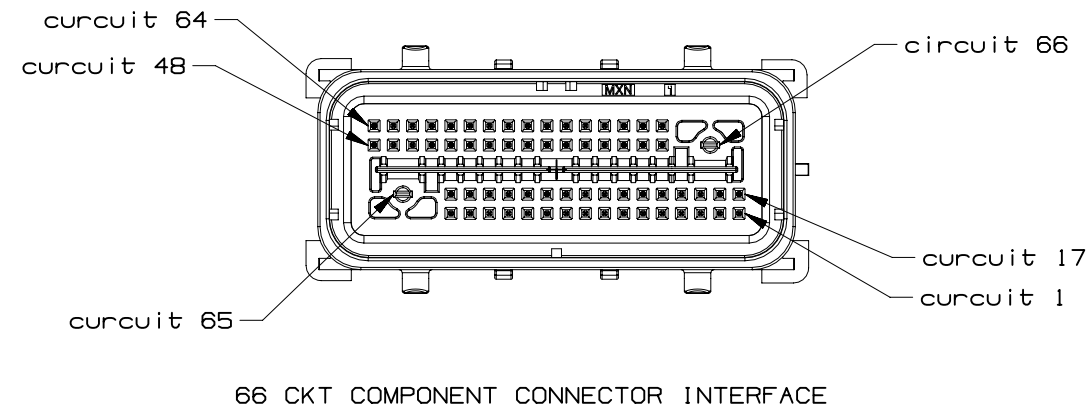
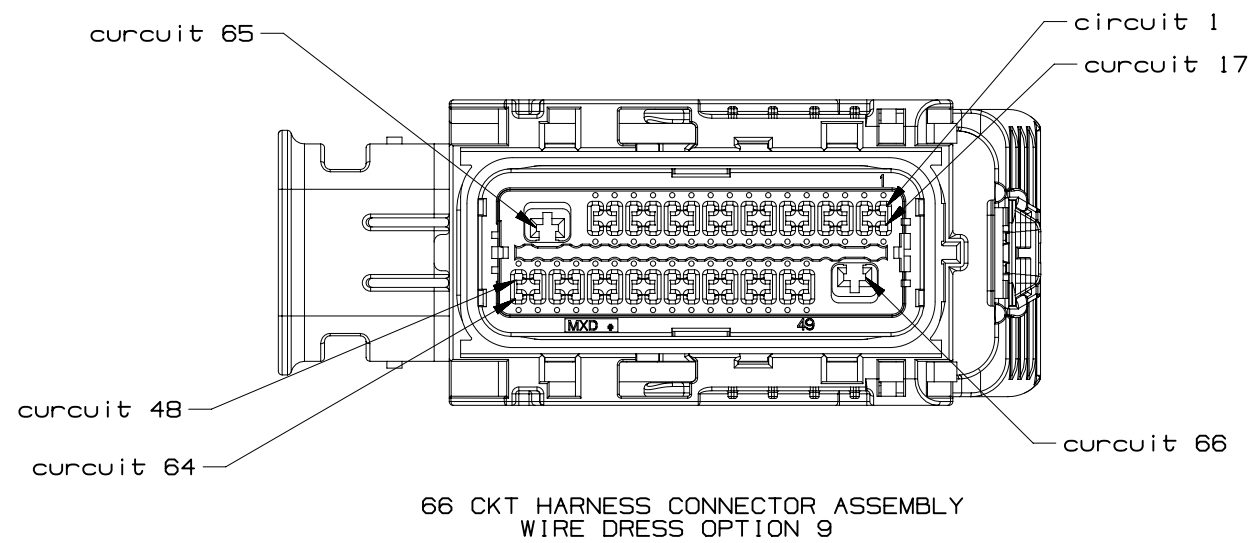
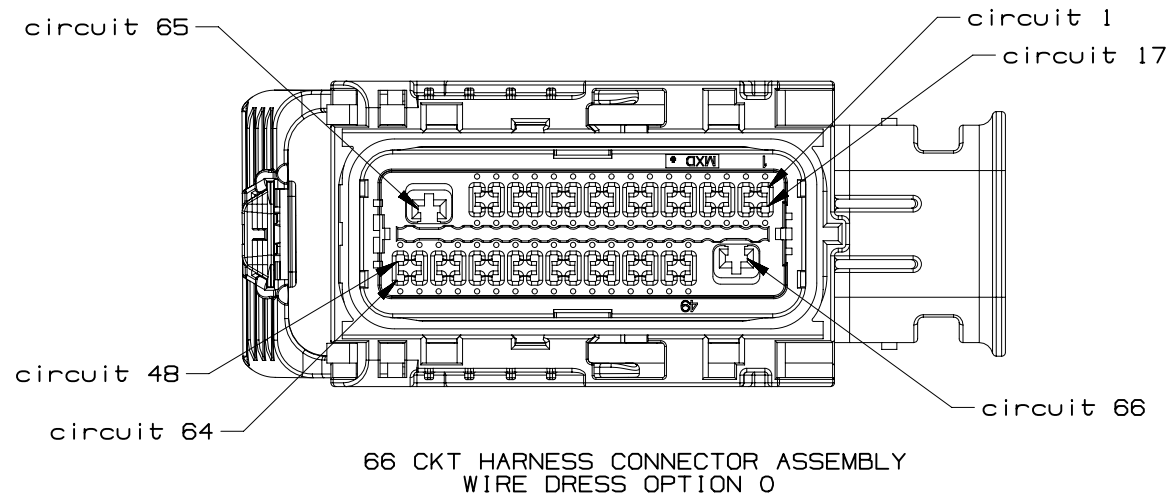


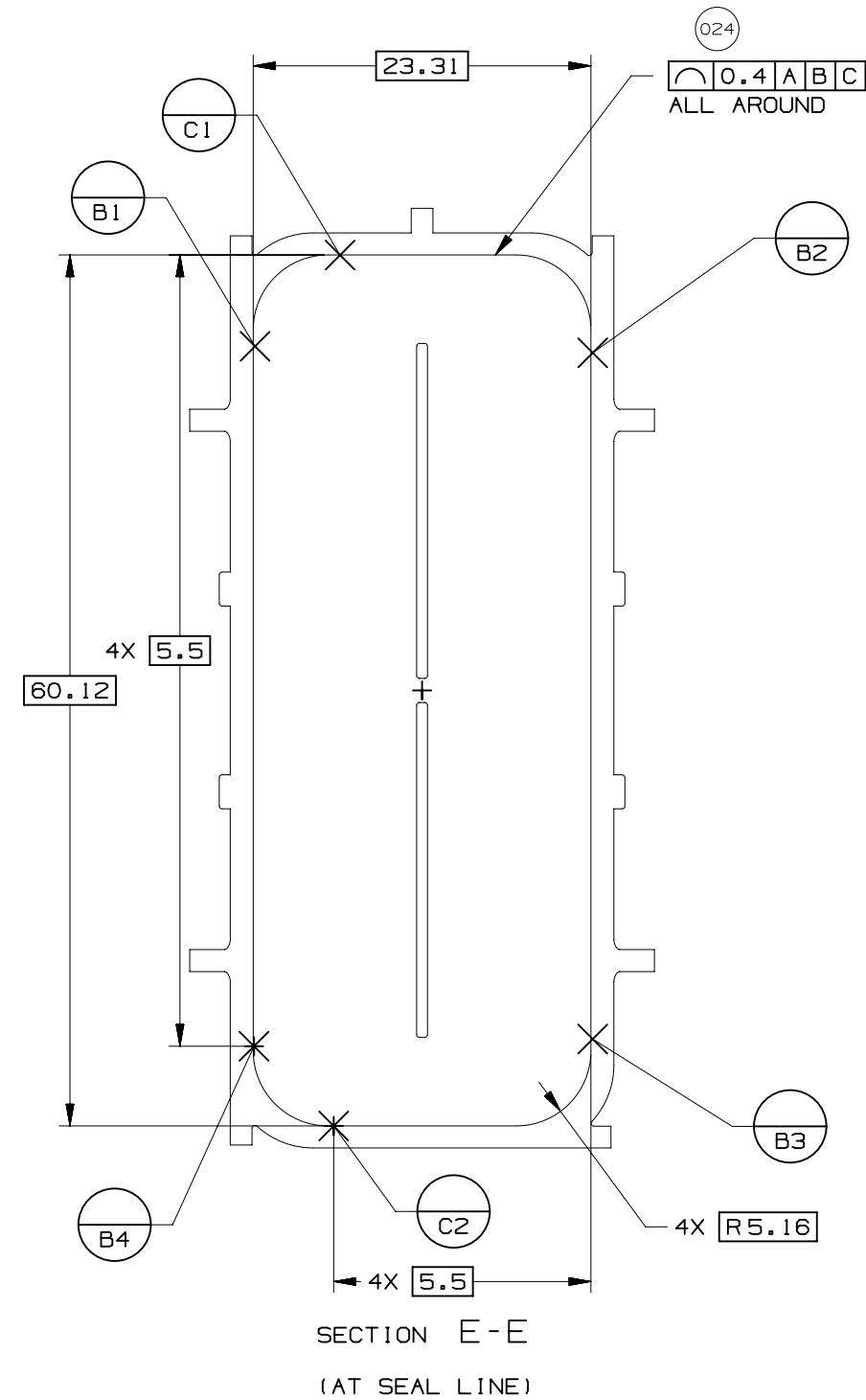
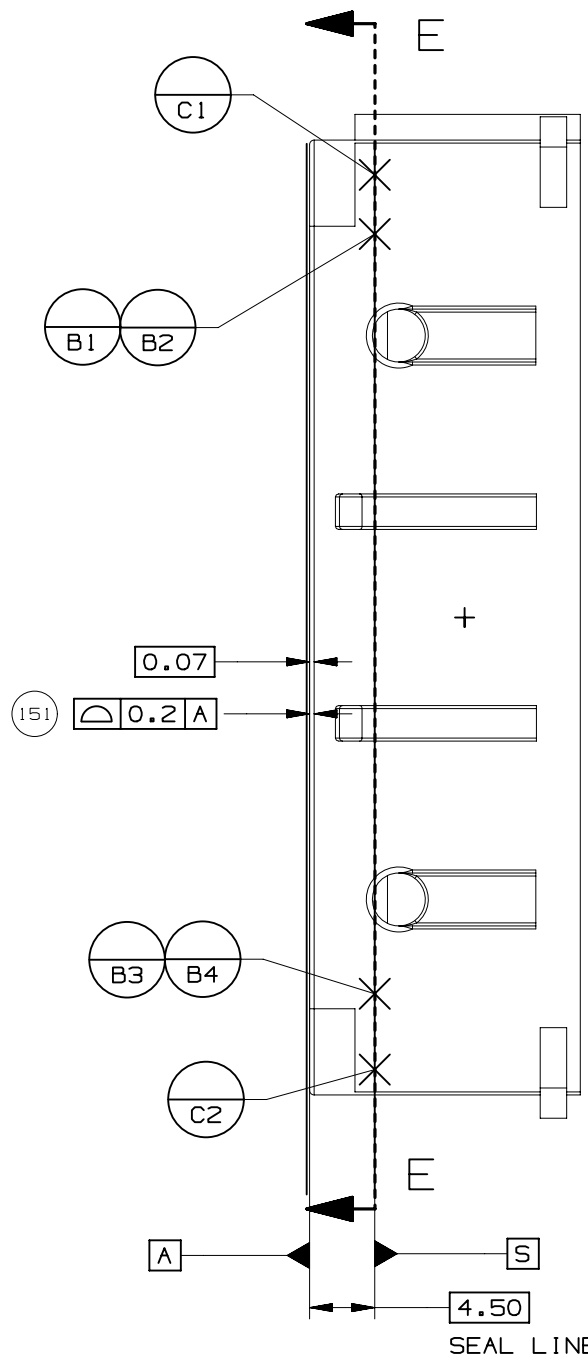
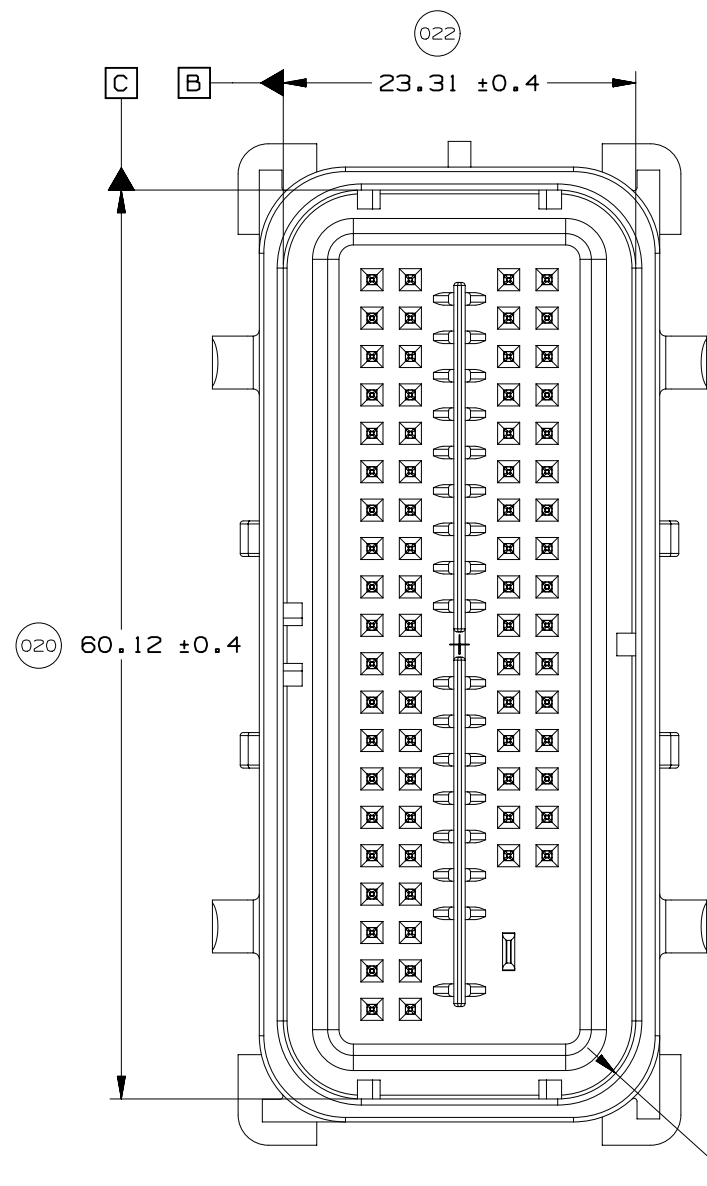
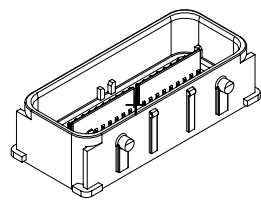
73 CKT COMPONENT CONNECTOR INTERFACE



80 CKT COMPONENT CONNECTOR INTERFACE







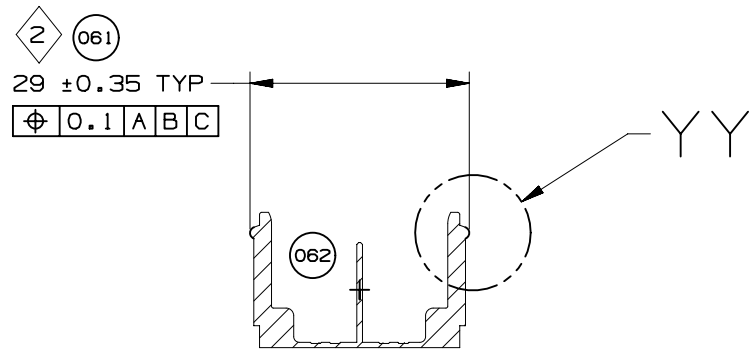
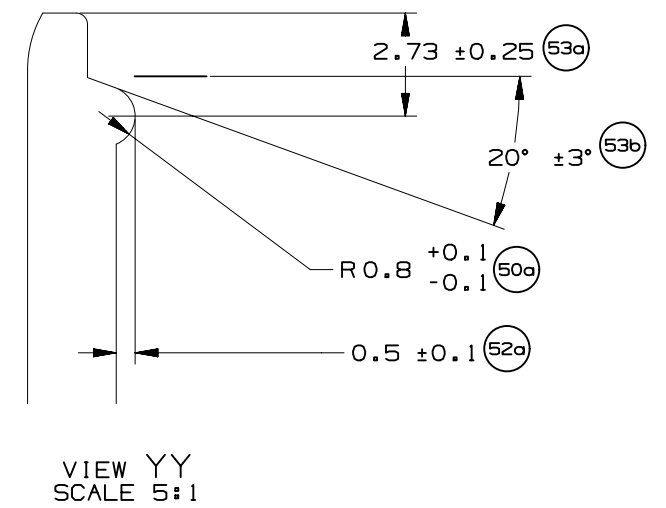
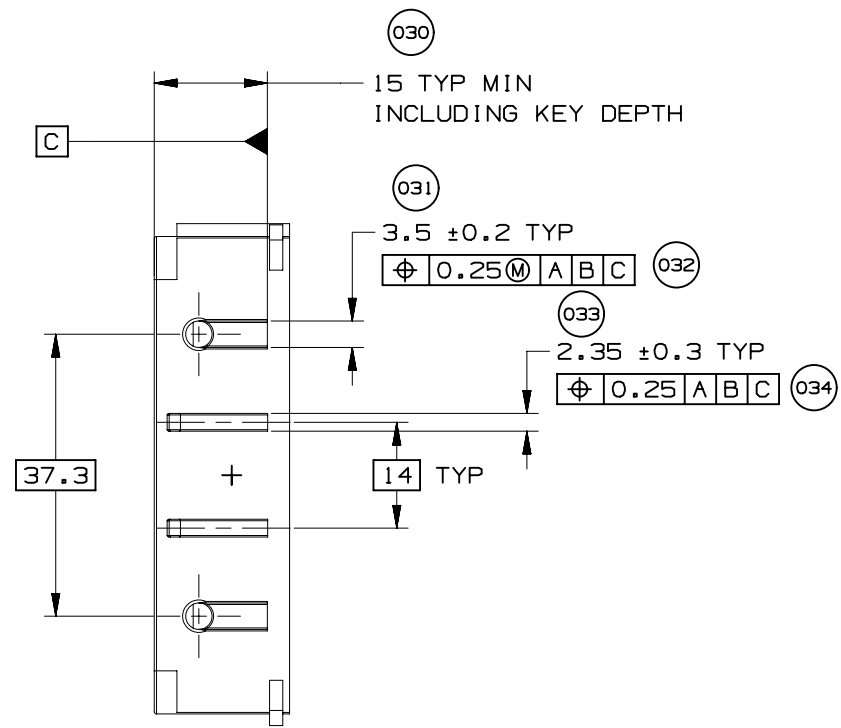
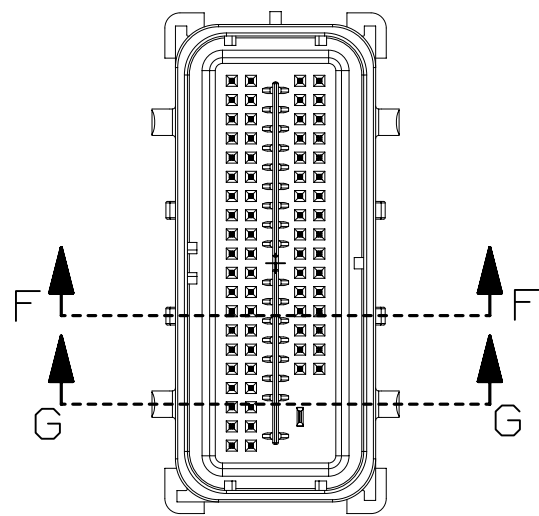
UNLESS SPECIFIED, TOLERANCE OF THE COMPONENT CONNECTOR INTERFACE TO BE $\sqrt[0.13]{A B C}$



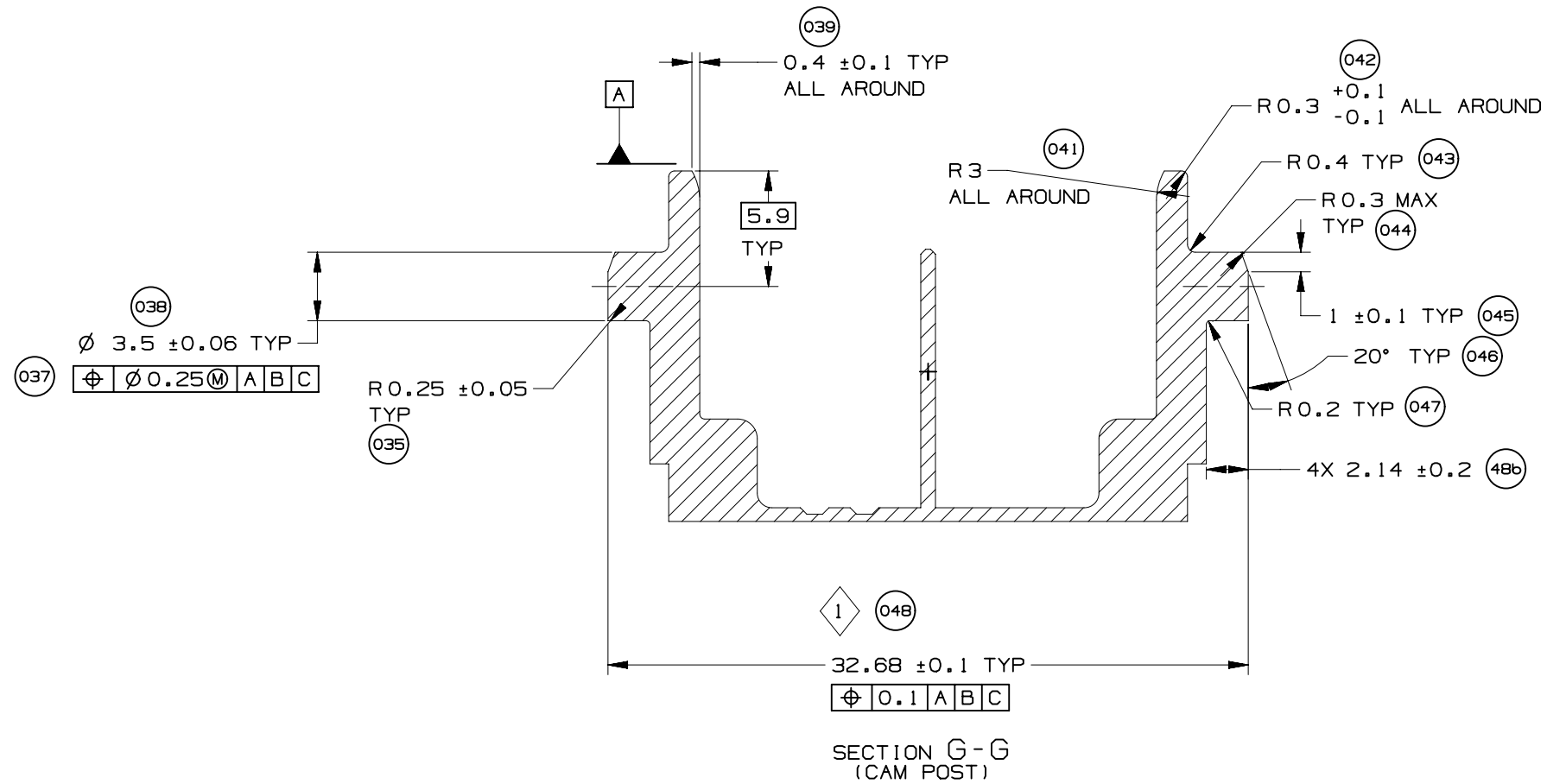
PAGE TITLE
COMPONENT CONNECTOR INTERFACE

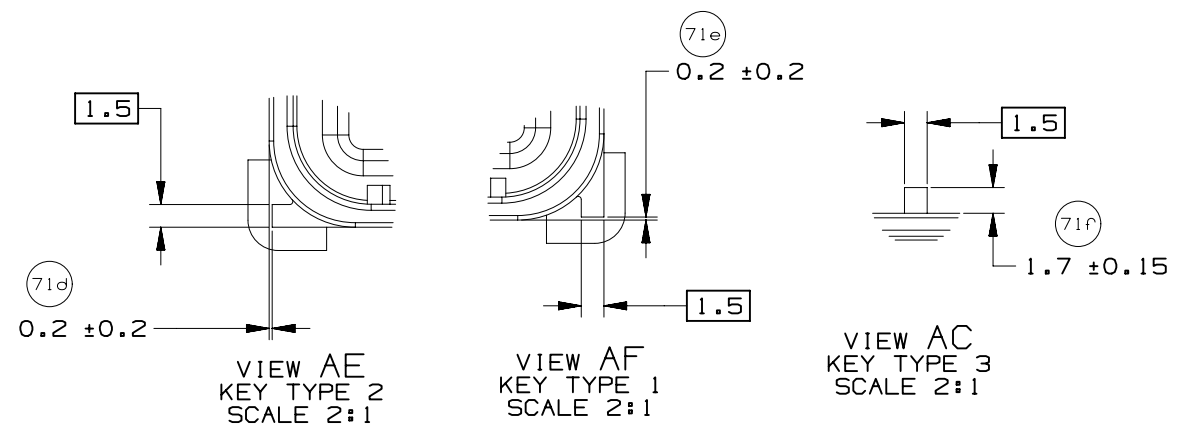
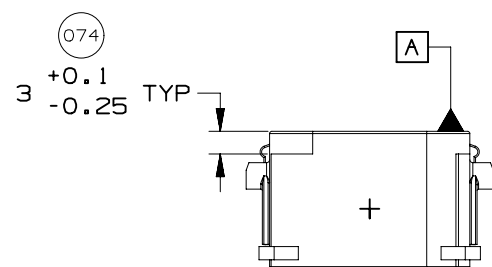
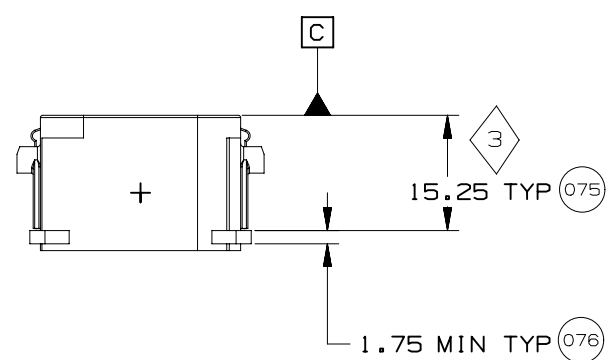
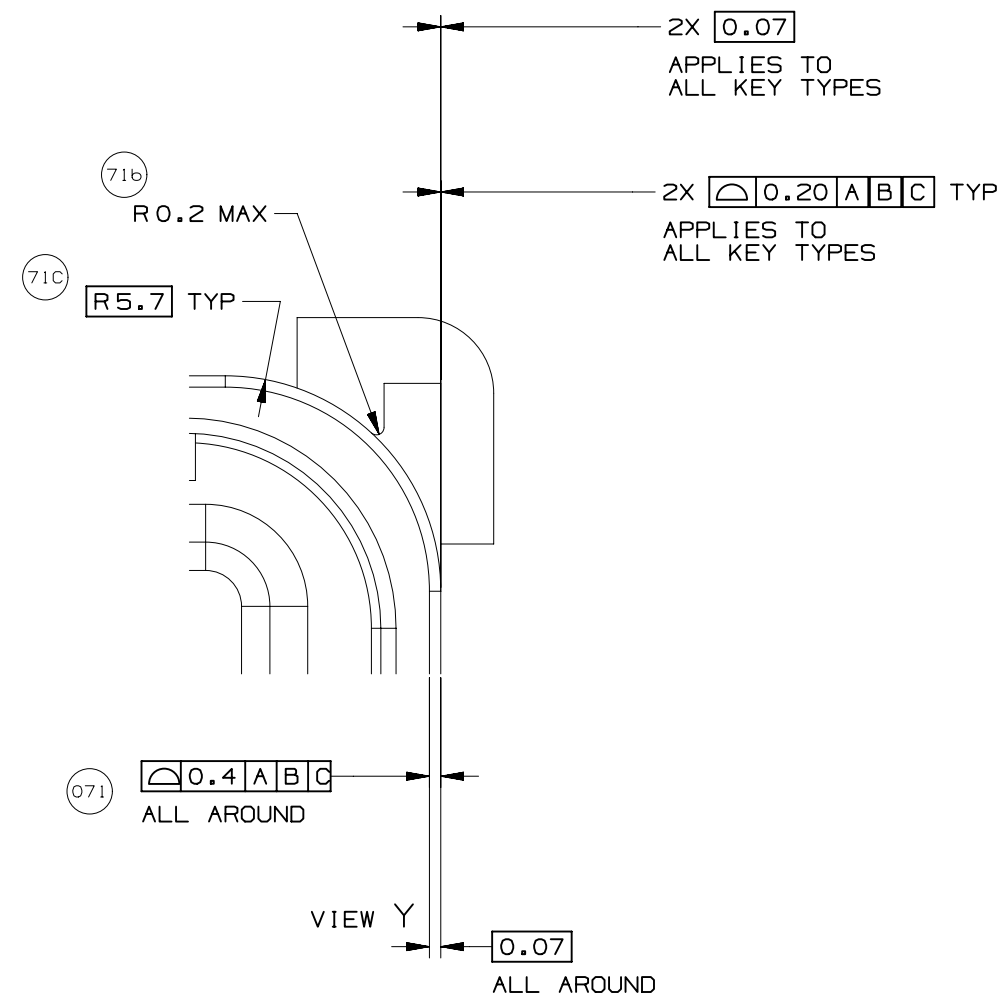
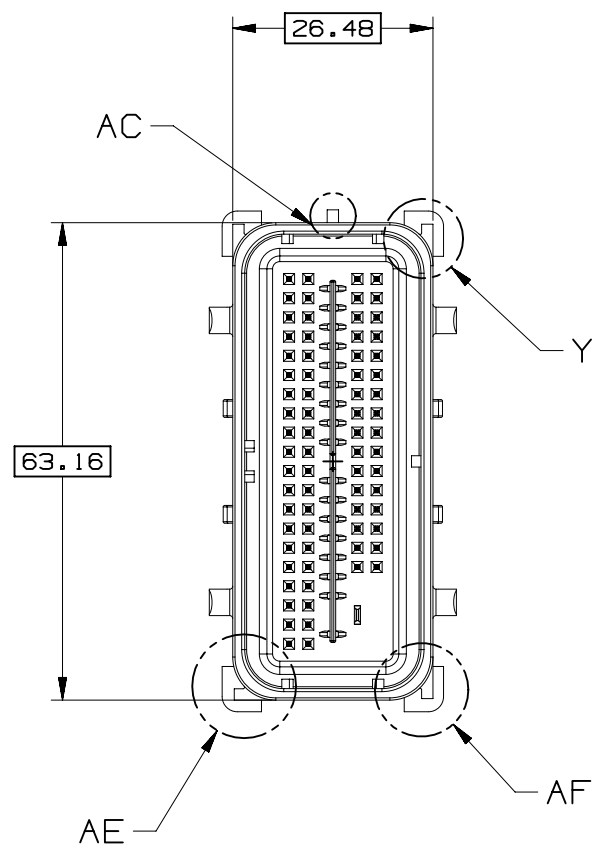
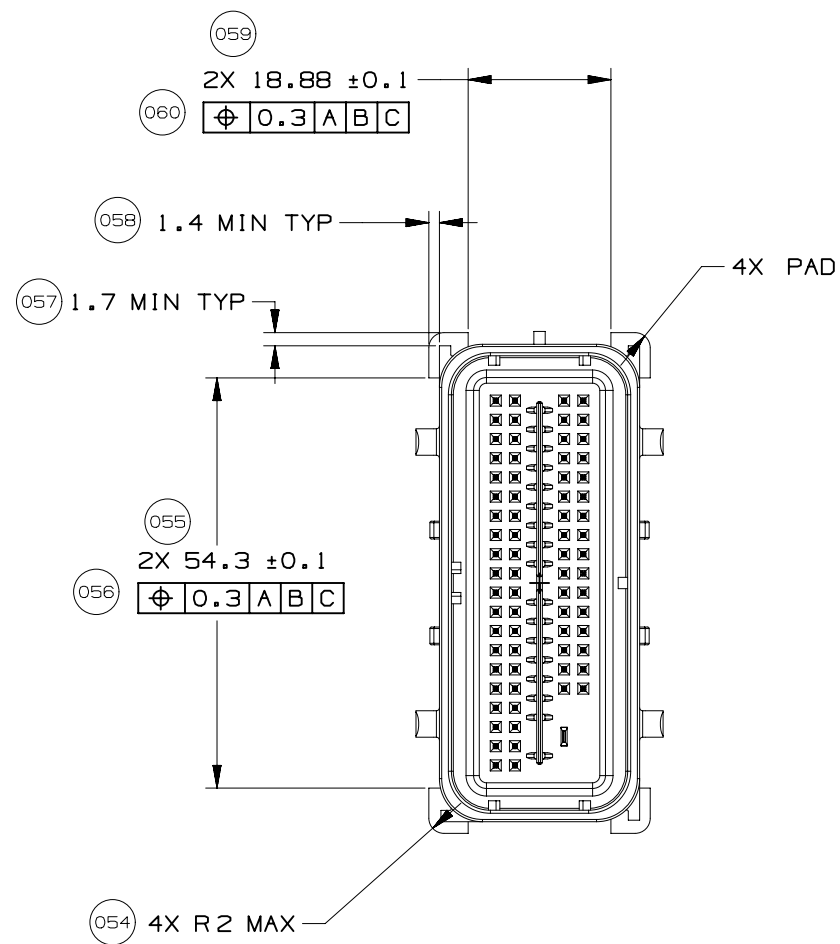
DRAWING NUMBER
12642695

DWG STATUS			PAGE NUMBER
ST	REV	PD1	
R	002		15 OF 21



SECTION F-F

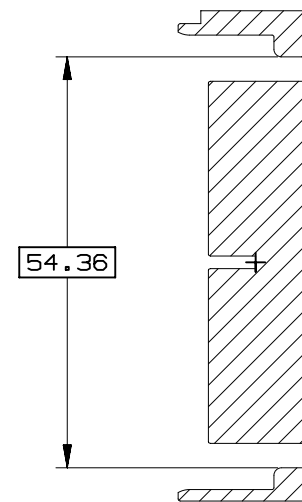
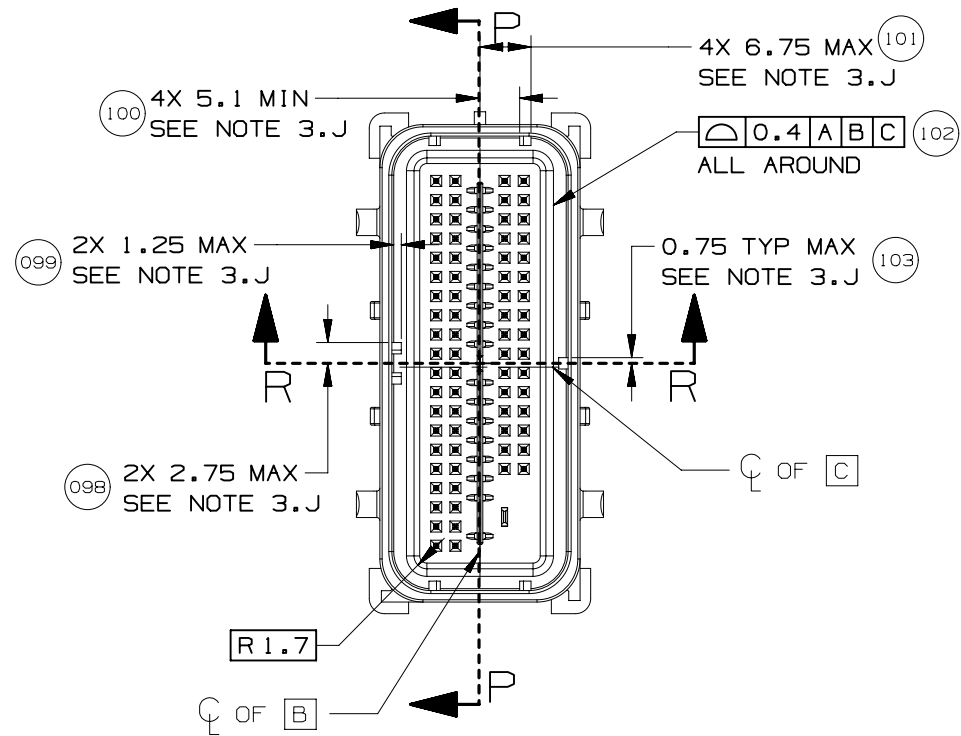




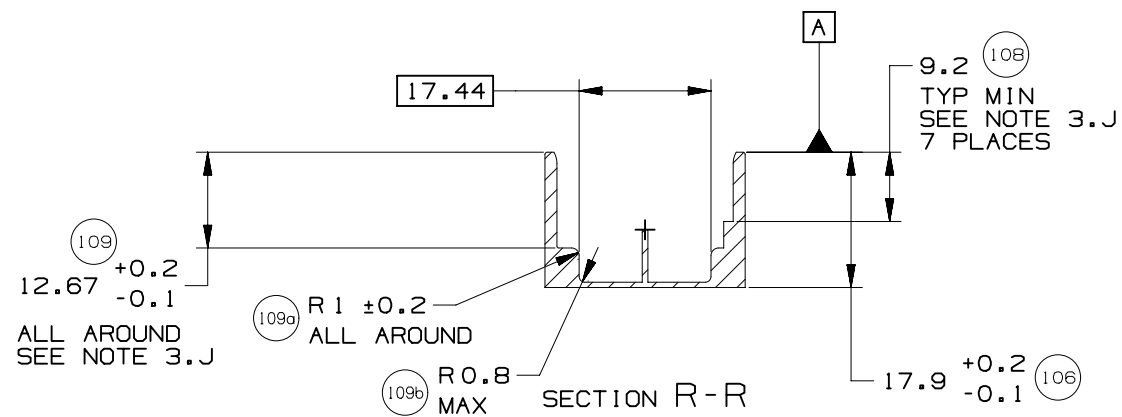
PAGE TITLE
 COMPONENT CONNECTOR INTERFACE

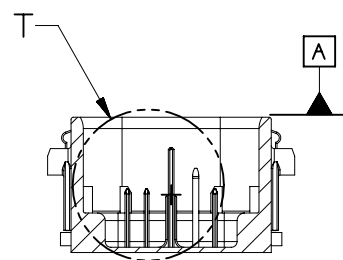
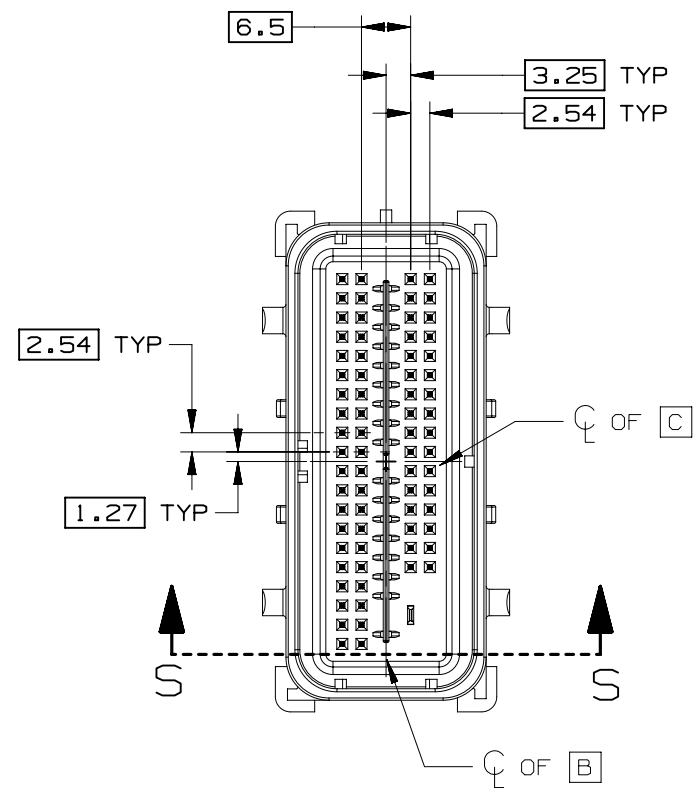
DRAWING NUMBER
 12642695

DWG STATUS			PAGE NUMBER	
ST	REV	PD1		
R	002		17	OF 21

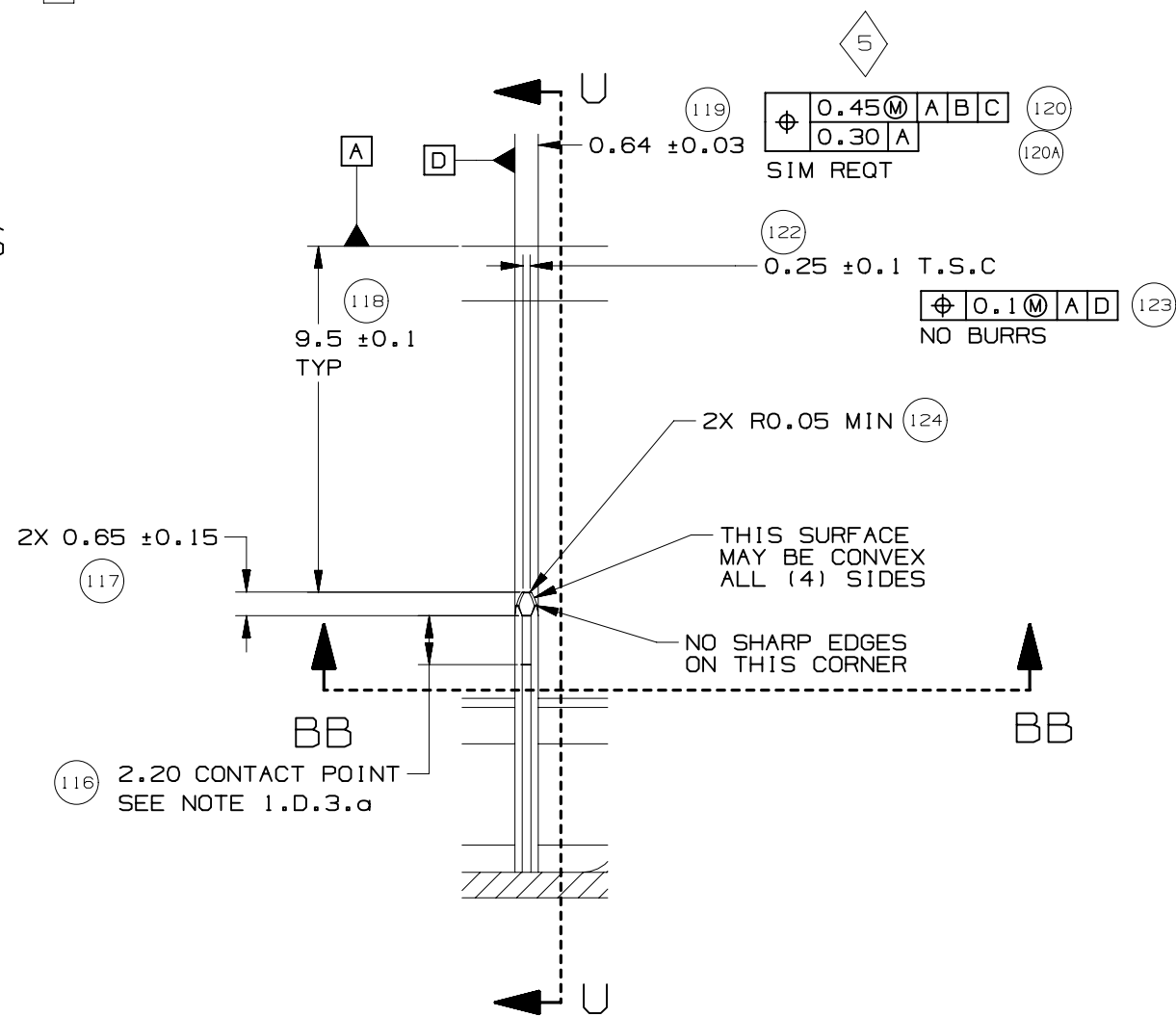


SECTION P-P

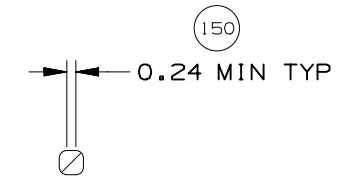




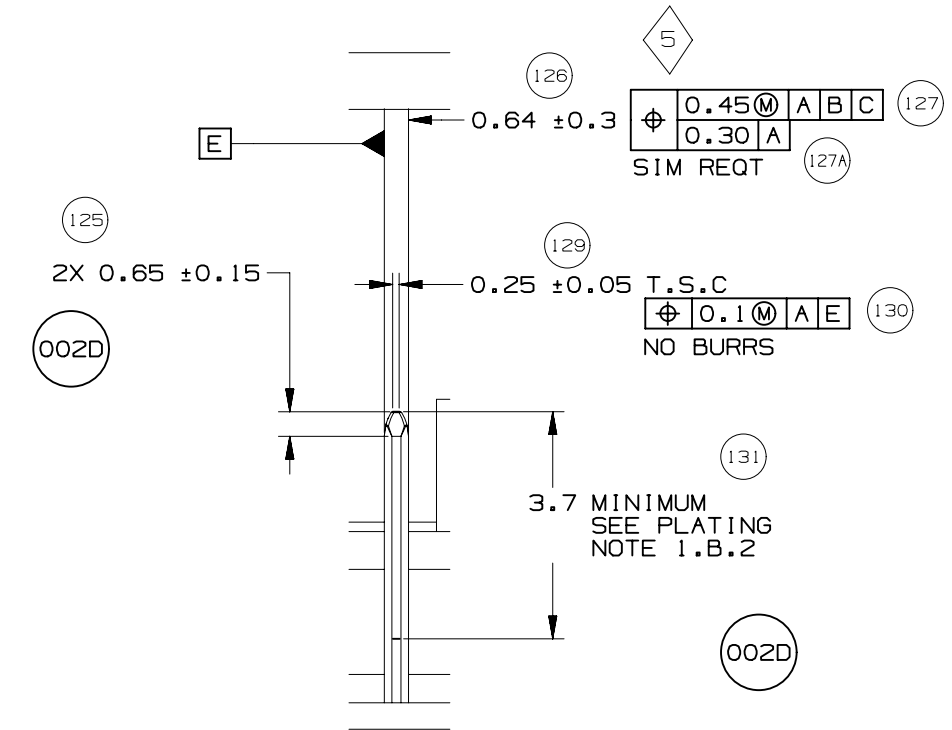
SECTION S-S



DETAIL T
TYPICAL
SCALE 5:1

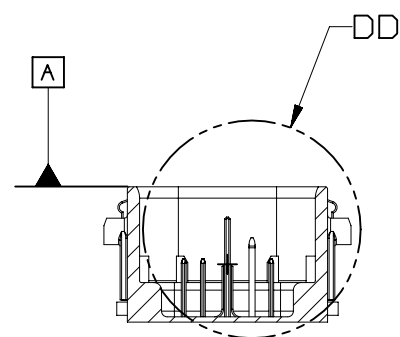
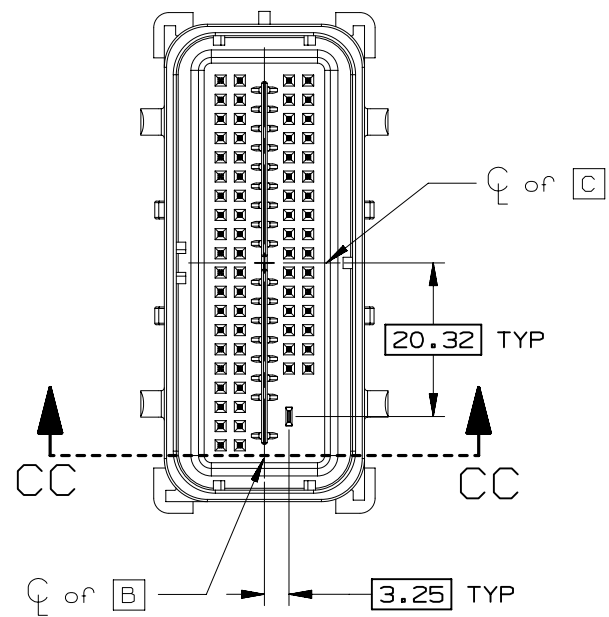


SECTION BB-BB

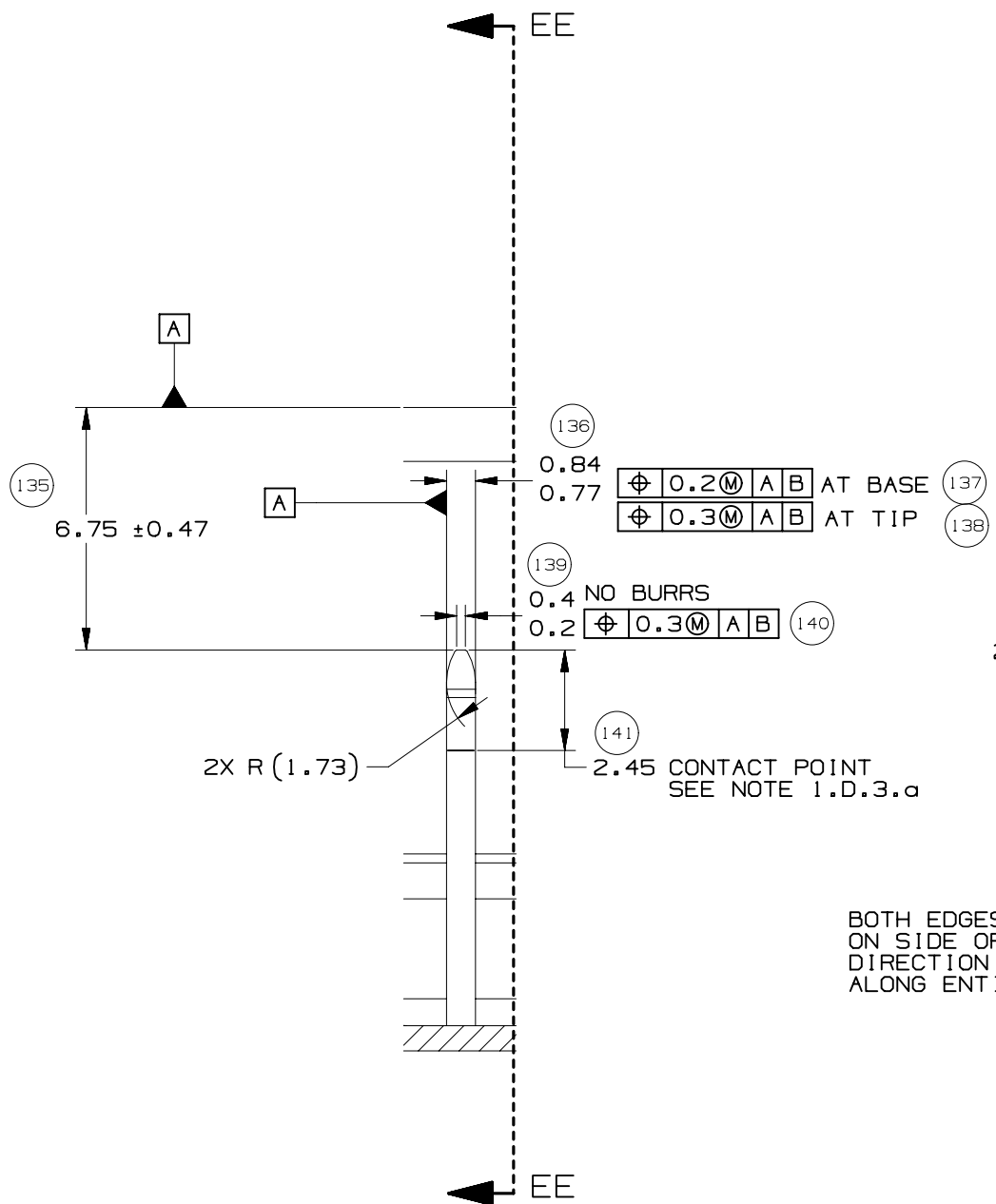


SECTION U-U

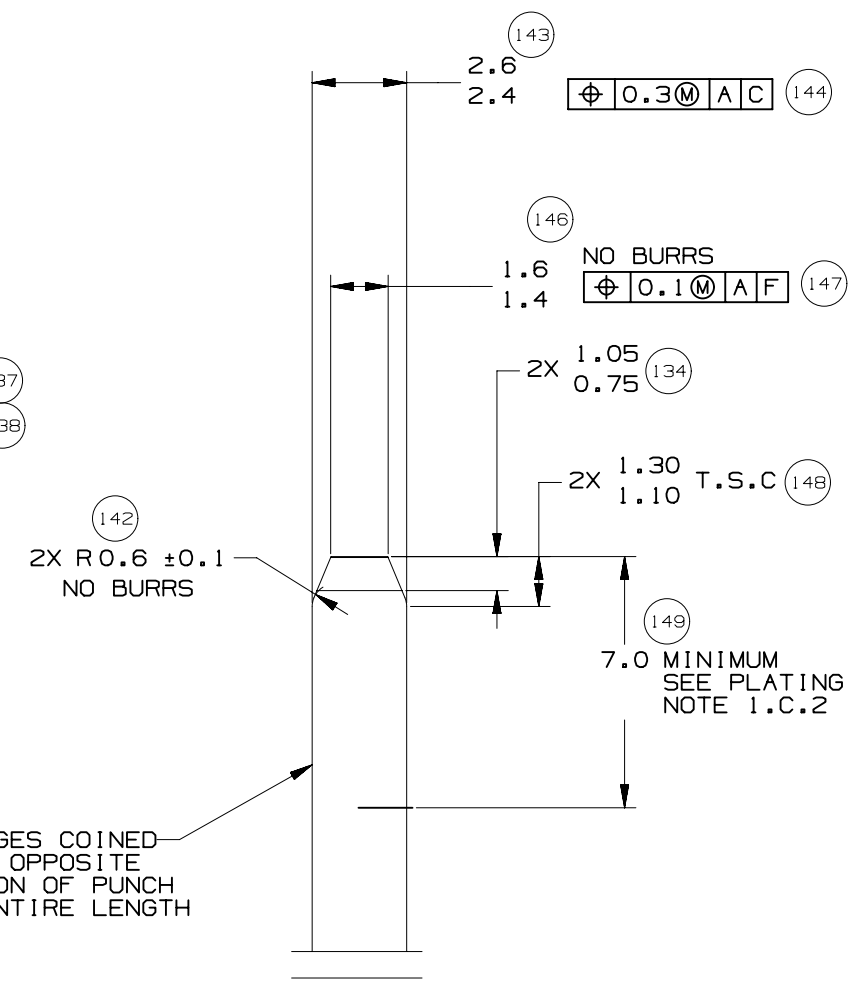




SECTION CC-CC



DETAIL DD
TYPICAL
SCALE 5:1

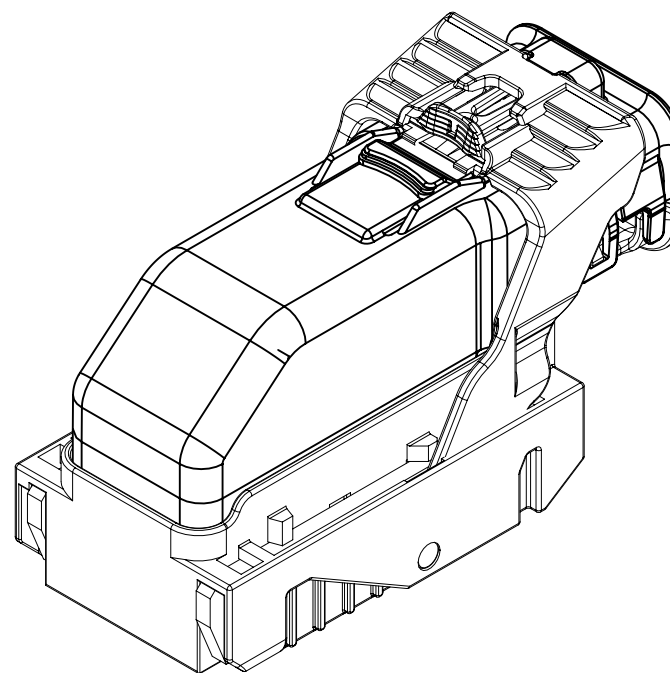


SECTION EE-EE
TYPICAL


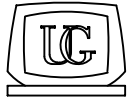
BOTH EDGES COINED
ON SIDE OPPOSITE
DIRECTION OF PUNCH
ALONG ENTIRE LENGTH



INDEX	
PAGE TITLE	PAGE
TITLE BLOCK	1
REVISION BLOCK	2
PART BLOCK	3
KPC BLOCK	4
COMPONENT TABLE	5
NOTES	6
NOTES	7
WIRE DRESS PACKAGING DIMENSIONS	8
LOCATION AND PACKAGING DIMENSIONS REFERENCING INTERFACE DATUMS B & C	9
LOCATION AND PACKAGING DIMENSIONS REFERENCING INTERFACE DATUM A	10
KEY ID REF - WIRE DRESS OPTION 0	11
KEY ID REF - WIRE DRESS OPTION 9	12
CIRCUIT CONFIGURATIONS	13
CIRCUIT CONFIGURATIONS	14
COMPONENT CONNECTOR INTERFACE	15
COMPONENT CONNECTOR INTERFACE	16
COMPONENT CONNECTOR INTERFACE	17
COMPONENT CONNECTOR INTERFACE	18
COMPONENT CONNECTOR INTERFACE	19
COMPONENT CONNECTOR INTERFACE	20
COMPONENT CONNECTOR INTERFACE	21
ADDITIONAL COMPONENTS REQUIRED	22




ISO VIEW

	<p>UNLESS OTHERWISE SPECIFIED: THIS DOCUMENT IS IN ACCORDANCE WITH ASME Y14.5M-1994 AS AMMENDED BY THE GM GLOBAL DIMENSIONING AND TOLERANCING ADDENDUM-1997. ALL GEOMETRIC TOLERANCES AND RELATED DATUMS APPLY RFS. RULE #1 (PERFECT FORM AT MMC) DOES NOT APPLY WHEN A RELATIONSHIP BETWEEN FEATURES IS ESTABLISHED BY ORIENTATION OR LOCATION TOLERANCES. SEPARATE POSITION CALLOUTS MAY BE GAGED SEPARATELY REGARDLESS OF DATUM REFERENCES.</p>			DATE
	 CHANGE RESTRICTED NO MANUAL CHANGES	REFERENCE 12H (MOLEX AUTOMOTIVE)	DRAFTER APVD1 APVD2 APVD3 APVD4 APVD5	05JN15
DO NOT SCALE		DRAWING NAME		
METRIC DIMENSIONS SHOWN IN MILLIMETERS UNLESS OTHERWISE SPECIFIED		HARNESS CONN ASM-SEALED 52/66/73/80 CKTS, MX123		
DRAWING NUMBER		DWG STATUS		PAGE NUMBER
12672833		ST	REV	PD1
		R	001	
				1 OF 22

PAGE	DWG STATUS					REVISION HISTORY	AUTH	DR	CK	ENG
	DATE	ST	REV	CHG	PDI					
	05JN15	R	001			RELEASED TO PRODUCTION AT DLS A	CRMRJE	DFK		

PAGE	DWG STATUS					REVISION HISTORY	AUTH	DR	CK	ENG
	DATE	ST	REV	CHG	PDI					

	PAGE TITLE	DRAWING NUMBER	DWG STATUS			PAGE NUMBER		
	REVISION BLOCK			12672833	ST		REV	PDI
				R	001			2 OF 22

KEY PRODUCT CHARACTERISTICS
(IN ACCORDANCE WITH QN 1805 OR ON 1050)



SAFETY/COMPLIANCE

TOTAL ON
DRAWING

4



FIT/FUNCTION

LAST NO.
USED

4

NO	TYPE	DESCRIPTION	RATIONALE	PAGE/ZONE
1	F/F	32.68	IMPROVE CONNECTOR SYSTEM MATING	16
2	F/F	29.00	INSURE PROPER RELEASE OF LEVER	16
3	F/F	15.25	INSURE FINAL MATE POSITION	17
4	F/F	POSITIONAL TOLERANCE (2 PLACES)	INSURE CONNECTOR SYSTEM MATEABILITY	20



PAGE TITLE
KPC BLOCK

DRAWING NUMBER

12672833

DWG STATUS

ST	REV	PDI
----	-----	-----

R	001	
---	-----	--

PAGE NUMBER

4 OF 22

LINE	MFG.	MFG. P/N	GM P/N	EFFECTIVE DATE	APPLICABLE COMPONENTS	KEY OPTION	WIRE DRESS OPTION	KEY CONFIG.	COLOR	STATUS
					DESCRIPTION					
-										
1	MOLEX	34565-0003	12582676	02JN03	MX123 DRESS COVER 52/66/73/80 CKT	N/A	N/A	N/A	BLACK	AVAILABLE
2	MOLEX	160094-0001	12672852	01SP13	MX123 HRNS CONN ASSY 52 CKT	A	0	1458	BLACK	AVAILABLE
3	MOLEX	160094-0003	12672854	01SP13	MX123 HRNS CONN ASSY 52 CKT	C	0	2467	BLUE	AVAILABLE
4	MOLEX	160094-0013	12672853	01SP13	MX123 HRNS CONN ASSY 52 CKT	A	9	1458	BLACK	AVAILABLE
5	MOLEX	160094-0015	12672855	01SP13	MX123 HRNS CONN ASSY 52 CKT	C	9	2467	BLUE	AVAILABLE
6	MOLEX	34822-0013	12672856	01SP13	MX123 HRNS CONN ASSY 66 CKT	A	0	1458	BLACK	AVAILABLE
7	MOLEX	34822-0033	12672858	01SP13	MX123 HRNS CONN ASSY 66 CKT	C	0	2467	BLUE	AVAILABLE
8	MOLEX	34822-0023	12672857	01SP13	MX123 HRNS CONN ASSY 66 CKT	A	9	1458	BLACK	AVAILABLE
9	MOLEX	34822-0043	12672859	01SP13	MX123 HRNS CONN ASSY 66 CKT	C	9	2467	BLUE	AVAILABLE
10	MOLEX	34566-0103	12672860	11JN04	MX123 HRNS CONN ASSY 73 CKT	A	0	1458	BLACK	AVAILABLE
11	MOLEX	34566-0203	12672862	11JN04	MX123 HRNS CONN ASSY 73 CKT	B	0	1468	ST GRAY	AVAILABLE
12	MOLEX	34566-0303	12672864	09AP08	MX123 HRNS CONN ASSY 73 CKT	C	0	2467	BLUE	AVAILABLE
13	MOLEX	34566-0603	12672866	05DC14	MX123 HRNS CONN ASSY 73 CKT	F	0	1357	NATURAL	AVAILABLE
14	MOLEX	34566-1303	12672861	11JN04	MX123 HRNS CONN ASSY 73 CKT	A	9	1458	BLACK	AVAILABLE
15	MOLEX	34566-1403	12672863	11JN04	MX123 HRNS CONN ASSY 73 CKT	B	9	1468	ST GRAY	AVAILABLE
16	MOLEX	34566-1503	12672865	09AP08	MX123 HRNS CONN ASSY 73 CKT	C	9	2467	BLUE	AVAILABLE
17	MOLEX	34566-1803	12672867	05DC14	MX123 HRNS CONN ASSY 73 CKT	F	9	1357	NATURAL	AVAILABLE
18	MOLEX	34566-0703	12672872	09AP08	MX123 HRNS CONN ASSY 80 CKT	G	0	1358	BLUE	AVAILABLE
19	MOLEX	34566-0803	12672870	11JN04	MX123 HRNS CONN ASSY 80 CKT	H	0	2458	ST GRAY	AVAILABLE
20	MOLEX	34566-0903	12672868	T.B.D	MX123 HRNS CONN ASSY 80 CKT	J	0	2457	BLACK	NOT ACTIVE
21	MOLEX	34566-1903	12672873	09AP08	MX123 HRNS CONN ASSY 80 CKT	G	9	1358	BLUE	AVAILABLE
22	MOLEX	34566-2003	12672871	11JN04	MX123 HRNS CONN ASSY 80 CKT	H	9	2458	ST GRAY	AVAILABLE
23	MOLEX	34566-2103	12672869	T.B.D	MX123 HRNS CONN ASSY 80 CKT	J	9	2457	BLACK	NOT ACTIVE
24	MOLEX	34736-0028	12672851	01AU10	MX64 RCPT TERM Ag 0.5mm/0.75mm ISO GAGE B (RIGHT PAYOFF)	N/A	N/A	N/A	N/A	AVAILABLE
25	MOLEX	34736-0026	12672850	01AU10	MX64 RCPT TERM Ag 0.35mm ISO GAGE B (RIGHT PAYOFF)	N/A	N/A	N/A	N/A	AVAILABLE
26	MOLEX	34586-0001	12674820	11JN04	MX123 0.64mm GROMMET PLUG	N/A	N/A	N/A	NATURAL	AVAILABLE
27	YAZAKI	7116-4150-02	12588066	02JN03	2.8mm YESC SEALED FEMALE TERMINAL TIN 0.35mm2-0.50mm2	N/A	N/A	N/A	N/A	NOT ACTIVE
28	YAZAKI	7116-4151-02	12588067	02JN03	2.8mm YESC SEALED FEMALE TERMINAL TIN 0.75mm2-1.0mm2	N/A	N/A	N/A	N/A	NOT ACTIVE
29	YAZAKI	7116-4152-02	12582685	02JN03	2.8mm YESC SEALED FEMALE TERMINAL TIN 1.5mm2-2.5mm2	N/A	N/A	N/A	N/A	AVAILABLE
30	YAZAKI	7158-3111-60	12588068	02JN03	2.8mm CABLE SEAL (wire O.D. range 1.2mm-1.9mm)	N/A	N/A	N/A	GREEN	NOT ACTIVE
31	YAZAKI	7158-3112-70	12588069	02JN03	2.8mm CABLE SEAL (wire O.D. range 1.8mm-2.3mm)	N/A	N/A	N/A	YELLOW	NOT ACTIVE
32	YAZAKI	7158-3113-40	12582686	02JN03	2.8mm CABLE SEAL (wire O.D. range 2.1mm-3.0mm)	N/A	N/A	N/A	WHITE	AVAILABLE
33	YAZAKI	7158-3114-90	12674821	02JN03	2.8mm YESC CAVITY PLUG	N/A	N/A	N/A	BLUE	AVAILABLE
34	MOLEX	63825-8400	N/A	02JN03	MX64 TERM HAND CRIMP TOOL	N/A	N/A	N/A	N/A	AVAILABLE
35	MOLEX	63813-1400	XX019826	02JN03	MX64 TERM SERVICE TOOL	N/A	N/A	N/A	N/A	AVAILABLE
36	MOLEX	63902-5300	N/A	02JN03	MX64 CRIMP APPLICATOR with TOOL KIT 0.5/0.75mm2 PAYOFF DIRECTION D (left payoff) (contact Molex for payoff detail)	N/A	N/A	N/A	N/A	AVAILABLE
37	MOLEX	63902-5370	N/A	02JN03	MX64 APPLICATOR TOOL KIT 0.5/0.75mm2	N/A	N/A	N/A	N/A	AVAILABLE
38	MOLEX	63902-5100	N/A	02JN03	MX64 CRIMP APPLICATOR with TOOL KIT 0.35mm2 PAYOFF DIRECTION D (left payoff) (contact Molex for payoff detail)	N/A	N/A	N/A	N/A	AVAILABLE
39	MOLEX	63902-5170	N/A	02JN03	MX64 APPLICATOR TOOL KIT 0.35mm2	N/A	N/A	N/A	N/A	AVAILABLE
40	SPX	J35616-64	T.B.D.	02JN03	0.64mm PROBE TOOL (for rcpt)	N/A	N/A	N/A	N/A	AVAILABLE
41	SPX	J35616-64A	T.B.D.	02JN03	0.64mm PROBE TOOL WITH EXT (for rcpt)	N/A	N/A	N/A	N/A	AVAILABLE
42	SPX	J35616-65	T.B.D.	02JN03	0.64mm PROBE TOOL WITH EXT (for pin)	N/A	N/A	N/A	N/A	AVAILABLE
43	SPX	J35616-4A	T.B.D.	02JN03	2.8mm PROBE TOOL (for rcpt)	N/A	N/A	N/A	N/A	AVAILABLE
44	YAZAKI	X39899-J374	12094430	02JN03	2.8mm TERM SERVICE TOOL	N/A	N/A	N/A	N/A	AVAILABLE
45	TQI	7000-1006	N/A	15JN15	52 CKT PASS THROUGH ADAPTERS	N/A	N/A	N/A	BLACK	AVAILABLE
46	TQI	7000-1002	N/A	15JN15	66 CKT PASS THROUGH ADAPTERS	N/A	N/A	N/A	BLACK	AVAILABLE
47	TQI	79917-0061	N/A	15JN15	73 CKT PASS THROUGH ADAPTERS	N/A	N/A	N/A	BLACK	AVAILABLE
48	TQI	79917-0066	N/A	15JN15	80 CKT PASS THROUGH ADAPTERS	N/A	N/A	N/A	BLACK	AVAILABLE

* - MX123 DRESS COVER 52/66/73/80 CKT MATES TO ANY MX123 HARN CONN ASSY SHOWN ON TABLE ABOVE



PAGE TITLE
COMPONENT TABLE

DRAWING NUMBER

12672833

DWG STATUS

ST REV PDI

R 001

PAGE NUMBER

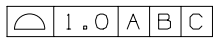
5 OF 22

NOTES: UNLESS OTHERWISE SPECIFIED

1. MATERIAL FOR INTERFACE:


- A. RESIN:
 - 1. 30% G.F. PBT; 20% MAX. (BY WEIGHT) REGRIND.
 - 2. MATING CONNECTOR INTERFACE PART COLOR MUST BE SAME AS MATCHING KEYED HARNESS CONNECTOR ASSEMBLY.
 - 3. MUST BE VALIDATED FOR INDIVIDUAL DEVICE APPLICATION REQUIREMENTS.
- B. 0.64MM PINS:
 - 1. BASE MATERIAL: COPPER ALLOY; CONDUCTIVITY >= 28% IACS AT 20°C; TENSILE STRENGTH >= 635 N/mm²; SURFACE ROUGHNESS R_a 6 MAX.
 - 2. PLATING FINISH: SILVER (Ag). PLATING TO BE 1.9-3.3 μm ELECTRODEPOSITED SEMI-BRIGHT SILVER OVER 1.25-2.25 μm DUCTILE SULPHAMATE NICKEL PER NOTE 1(D).
 - 3. ANTI-TARNISH: SYNTHETIC HYDROCARBON CONTACT SURFACE FINISH OR EQUIVALENT APPLIED WITHOUT VOID TO CONTACT AREA (MIN 3.7mm FROM PIN TIP).
- C. 2.8MM BLADE:
 - 1. BASE MATERIAL: COPPER ALLOY; CONDUCTIVITY >= 28% IACS AT 20°C; TENSILE STRENGTH >= 350 N/mm²; SURFACE ROUGHNESS R_a 6 MAX.
 - 2. PLATING FINISH: TIN. PLATING TO BE 2.5-5.0 μm ELECTRODEPOSITED TIN, MATTE FINISH OVER 1.25-2.5 μm DUCTILE SULPHAMATE NICKEL PER NOTE 1(D).
- D. PLATING REQUIREMENTS:
 - 1. SILVER PLATING
 - a. 99.5% PURE SEMI-BRIGHT WITH NO ORGANIC BRIGHTNERS OR CHROMATES.
 - 2. NICKEL PLATING
 - a. ELECTRODEPOSITED DUCTILE SULFAMATE NICKEL WITH A NON-BRIGHTENED FINISH. NO ORGANIC OR BRIGHTENING AGENTS SHALL BE ALLOWED.
 - b. SHALL ONLY BE USED AS AN UNDERLYING PLATING AND MAY NOT BE USED AS AN ELECTRICAL CONTACT SURFACE PLATING.
 - c. SHALL BE NODULE FREE WHEN VIEWED AT 10X MAGNIFICATION IN MEASURED IN CONTACT SURFACE AREA PLUS 0.5MM PERIMETER AROUND THE CONTACT SURFACE AREA.
 - d. ALL PLATINGS SHALL HAVE A 1.0% MAXIMUM BY WEIGHT IMPURITIES. IMPURITIES ARE DEFINED AS ALL ELEMENTS NOT THE PRIMARY PLATING OR HARDENING AGENT IF APPLICABLE, AS DETERMINED BY WET CHEMICAL ANALYSIS OR AUGER METHOD. NO SINGLE IMPURITY SHALL EXCEED 0.1% MAXIMUM BY WEIGHT.
 - 3. TESTING
 - a. THICKNESS TO BE MEASURED IN CONTACT SURFACE AREA PLUS 0.5MM PERIMETER AROUND THE CONTACT SURFACE AREA AS DESIGNATED IN THE DRAWING. THICKNESS SHALL BE DETERMINED BY METHOD OF X-RAY (XRF).
 - b. PLATING ADHESION SHALL BE TESTED BY A BEND TEST FOR ALL METALS. THE TEST SAMPLE SHALL BE BENT 90 DEGREES TO DETERMINE DEPOSIT ADHESION. TESTING SHALL BE COMPLETED IN ACCORDANCE WITH ASTM SPEC B571.

2. DESIGN - GENERAL:

- A. THIS IS A 100% CAD GENERATED PART. THE CAD MATHEMATICAL DATA IS THE MASTER FOR THIS PART. FOR DIMENSIONAL OR ANY INFORMATION NOT SHOWN ON THIS DRAWING, ANALYZE THE CAD MODEL.
- B. TOLERANCES:
 - 1. LINEAR
 - 0.X ± 0.30
 - 0.XX ± 0.10
 - 0.XXX ± 0.10
 - 2. ANGULAR X° ± 3°
 - 3. 
- C. MINIMUM WALL THICKNESS REQUIRED: 1.3mm.
- D. CORNERS SHOWN AS SHARP TO BE R 0.2 MAX.
- E. LETTERING SHALL BE 0.15 MAX RAISED IN 0.20 MAX RECESS PAD. THIS INCLUDES MATERIAL CODE, RECYCLING CODE, CAVITY ID AND DATE CODE.
- F-1. PARTS MUST BE FREE OF DISCOLORATION, SALT RESIDUE AND OTHER IMPERFECTIONS THAT AFFECT FIT OR FUNCTION.
- F-2. SCRATCHES OR DENTS NOT TO EXCEED 0.013mm IN DEPTH.
- G. FOLLOWING PRODUCTION CODES TO BE PERMANENTLY MARKED & HUMAN READABLE TO A LETTER HEIGHT OF 1.5 ± 0.5MM X 0.3 MAX DEEP
 - 1. MATERIAL #: XXXXX-XXXX
 - 2. DATE CODE: JJJY (JULIAN DAY, LAST DIGIT OF YEAR)
 - 3. INSPECTION MACHINE CODE + SERIAL #: X_XXXXX

3. DESIGN - MANUFACTURING:

- A. DRAFT TO BE WITHIN TOLERANCE.
- B. ALLOWABLE FLASH MAX 0.2 HIGH X MAX 0.13 THICK.
- C. ALLOWABLE PARTING LINE MISMATCH 0.2 MAX.
- D. EJECTOR PINS MARK TO BE FLUSH TO 0.25 MAX DEPRESSED.
- E. ALLOWABLE GATE VESTIGE FLUSH TO 0.25 MAX PROTRUSION.
- F. NO EXTERNAL MOLD RELEASE AGENT ALLOWED DURING MANUFACTURING.
- G. STEEL THAT FORMS THE INDICATED SURFACE MUST BE POLISHED WITH A DIAMOND FINISH (SPI A-2) OVER THE FULL PERIPHERY OF THE TOOL. SURFACE MUST HAVE NO MISMATCH.
- H. ANY PROCESS LUBRICANT REMAINING ON THE TERMINAL MUST NOT VARNISH OR DEGRADE IT'S ELECTRICAL PERFORMANCE UP TO A MAXIMUM CLASS AMBIENT TEMPERATURE PER SAE USCAR-2 FOR 1008 HOURS. PROCESS LUBRICANTS SHOULD BE APPROVED BY THE RESPONSIBLE ENGINEER.
- J. OPTIONAL FEATURES PROVIDED FOR AUTOMATION.
- K. PART MUST BE FREE FROM BURRS AND SHARP EDGES, WHICH MIGHT BE DETRIMENTAL TO SATISFACTORY ASSEMBLY, SAFE HANDLING OR FUNCTION OF PART.
- L. PARTS AS DELIVERED TO ASSEMBLY SHALL BE CLEAN AND FREE OF DEBRIS, RESIDUAL ABRASIVE MATERIAL AND CORROSION PRODUCTS ADVERESLY AFFECTING FUNCTION OR APPEARENCE.
- M. RESTRICTED AND REPORTABLE SUBSTANCES FOR PARTS PER GMW3059.

	PAGE TITLE	DRAWING NUMBER	DWG STATUS			PAGE NUMBER	
	NOTES		12672833	ST	REV	PDI	6 OF 22
				R	001		

NOTES: UNLESS OTHERWISE SPECIFIED

4. SYSTEM REQUIREMENTS:

- A. HARNESS CONNECTOR IS COMPATIBLE WITH THE FOLLOWING ISO WIRE SIZE NO'S:
 0.35mm², MEETING GMW15626 - MIN OD OF 1.30MM
 0.50mm², MEETING GMW15626
 0.75mm², MEETING GMW15626 - MAX OD OF 2.06MM

B. CABLE TIE SPECIFICATIONS:

1. CABLE TIE:
 - TENSILE RATING: 220N / (50lbs) MIN
 - TIE LENGTH: 186mm MIN
 - TIE WIDTH: 4.75mm MAX
 - MATERIAL: NYLON
2. INSTALLATION:
 - CABLE TIE TENSION: 190N MIN
3. DRESSED WIRE BUNDLE PACKAGING: SEE FIG. 1

C. WHEN MATED WITH COMPONENT CONNECTOR INTERFACE AND/OR DRESS COVER, HARNESS CONNECTOR SYSTEM CONFORMS TO THE FOLLOWING:

1. SAE/USCAR-2, REV: 3 APRIL, 2001; CLASS 3
2. FIELD CORRELATED LIFE TEST, SAE/USCAR-20, NOV. 2001
3. GMW #3191 AUGUST 22, 2000 (DRAFT); TEMPERATURE CLASS 3, SEALING CLASS 1, VIBRATION CLASS 2
4. RESTRICTED AND REPORTABLE CHEMICALS PER GMW #3059, REV: D AUGUST 2002
5. TPA USER FORCES (FULLY POPULATED WITH TERMINALS)
 - a. REMOVAL FROM LOCK TO PRE-SET: <=120N

D. WIRE SPECIFICATIONS:

1. WIRE SURFACE MUST BE FREE OF SCRATCHES, GROOVES OR DENTS WHERE FUNCTIONAL

5. TERMINAL CURRENT RATINGS:

A. MX64 RCPT TERM

ALL TESTING DONE IN ACCORDANCE WITH USCAR-2 REV5 SECTION 5.3

1. MX64 RCPT TERM Ag 0.50/0.75mm² CRIMPED TO 0.75mm² ISO WIRE AND MATED TO MX123 0.64MM PIN: SEE TABLE BELOW
2. MX64 RCPT TERM Ag 0.35mm² CRIMPED TO 0.35mm² ISO WIRE AND MATED TO MX123 0.64MM PIN: SEE TABLE BELOW

WIRE	CURRENT RATING			
	23°C	85°C	105°C	125°C
0.75mm ²	11.3A	11.3A	9.5A	6.6A
0.50mm ²	10.0A	10.0A	8.3A	5.7A
0.35mm ²	8.5A	8.5A	7.1A	5.0A

B. 2.8MM RCPT TERM

ALL TESTING DONE IN ACCORDANCE WITH MOLEX DVP&R 0279 (TR # 7125)

1. 2.8MM RCPT TERM TIN 2.0mm² CRIMPED TO 2.0mm² ISO WIRE AND MATED TO MX123 2.8MM BLADE: 25.6 AMPS AT 125°C

6. CONTACT MOLEX AUTOMOTIVE FOR AVAILABLE CUSTOM PATTERNS OF CAVITIES OPEN FOR CIRCUITS - SEE GM DRAWING 13507496



PAGE TITLE
NOTES

DRAWING NUMBER

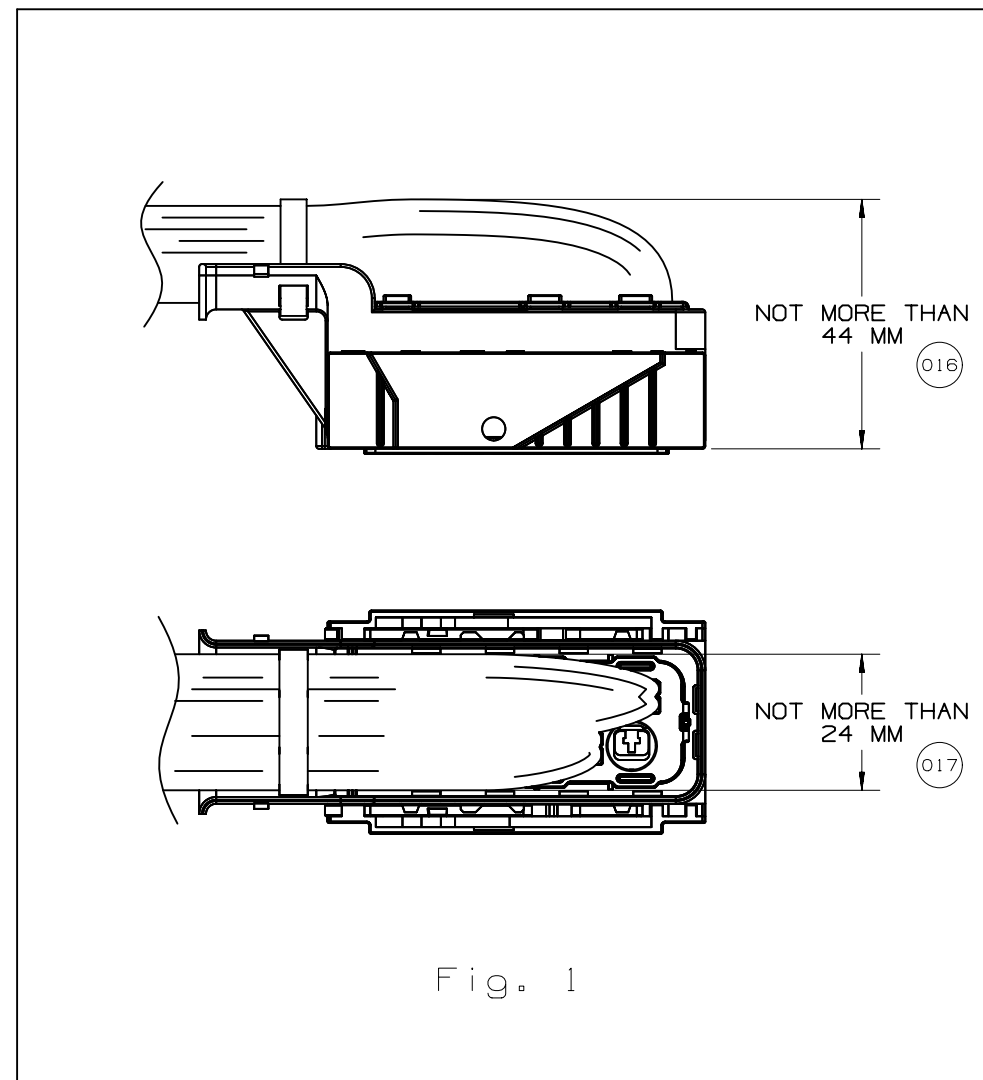
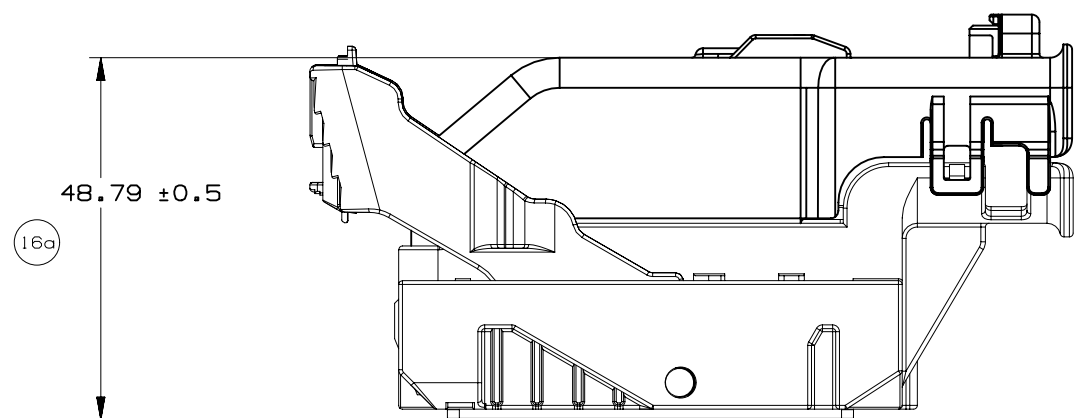
12672833

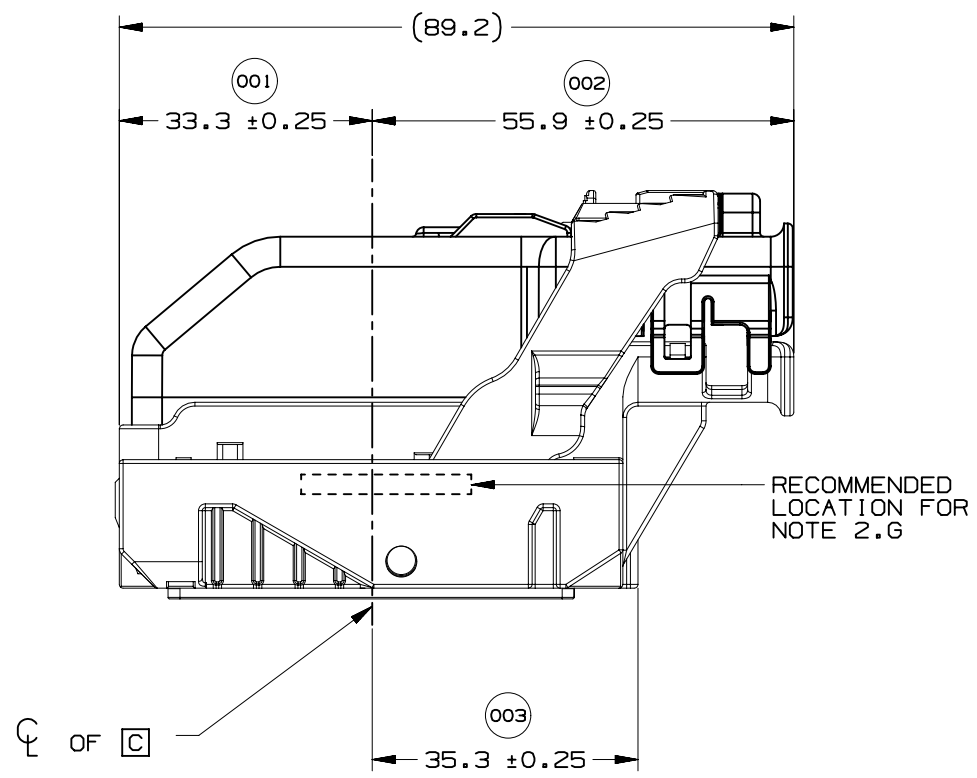
DWG STATUS

ST	REV	PDI
R	001	

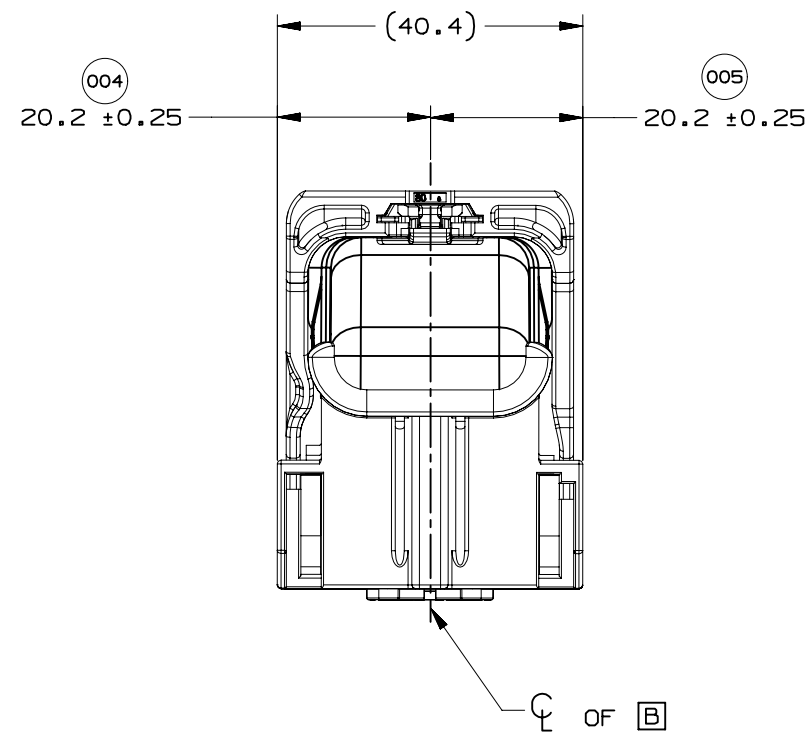
PAGE NUMBER

7 OF 22

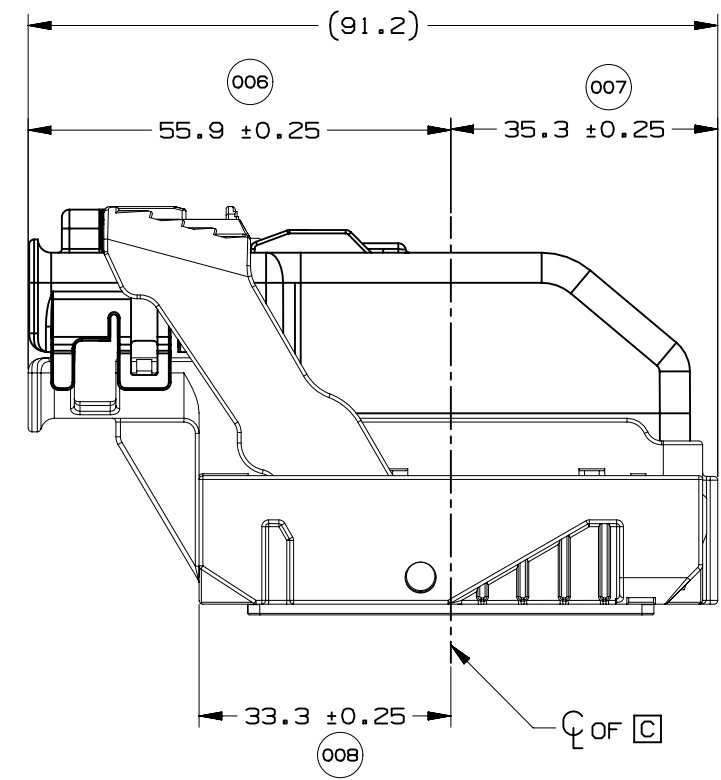




WIRE DRESS OPTION 0 SHOWN

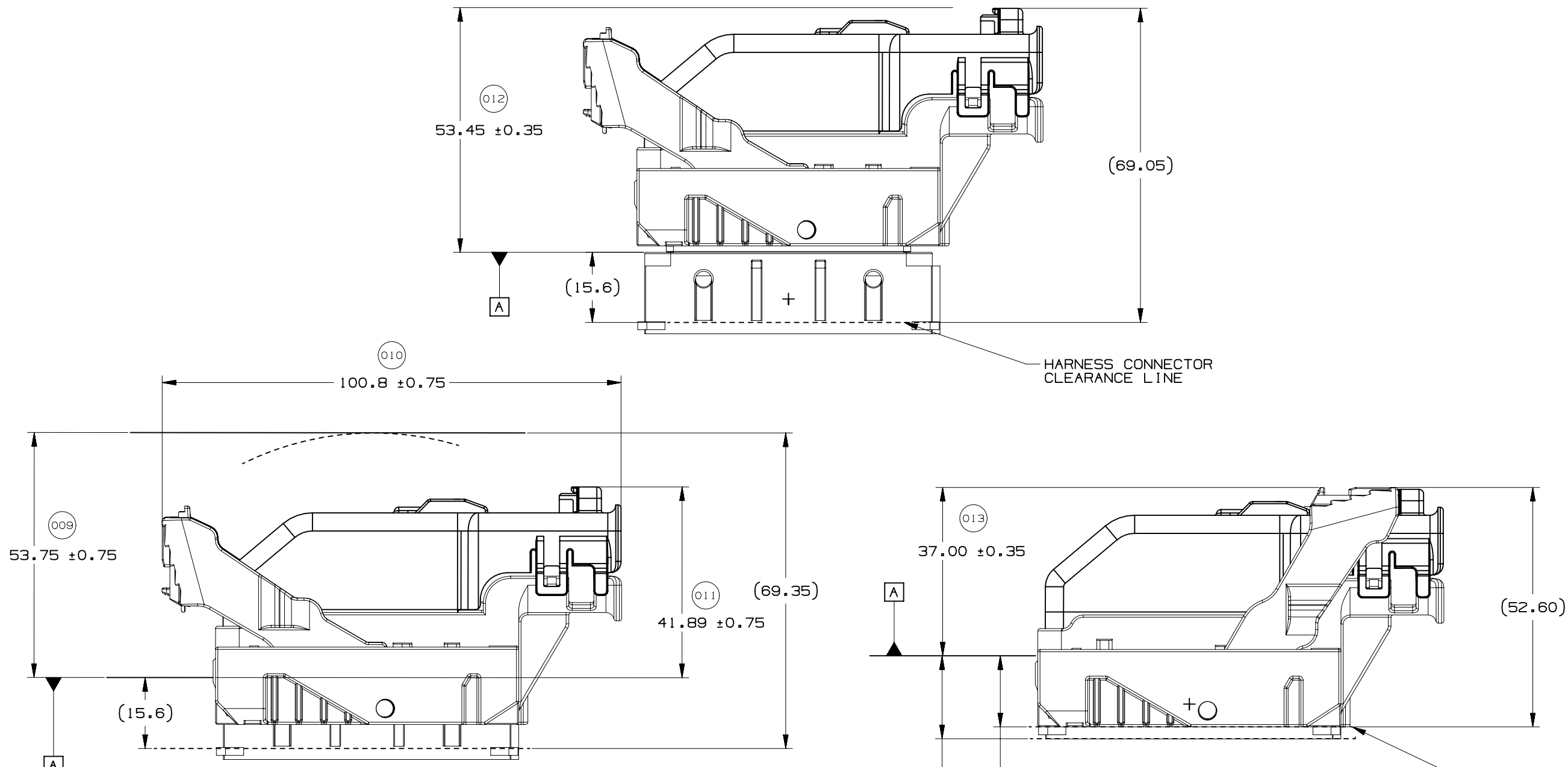


WIRE DRESS OPTION 0 SHOWN



WIRE DRESS OPTION 9 SHOWN





HARNESS CONNECTOR CLEARANCE LINE

HARNESS CONNECTOR ASSEMBLY IN FULLY-MATED POSITION

HARNESS CONNECTOR CLEARANCE LINE

15.6 MIN. ALL AROUND CLEARANCE REQUIRED FOR HARNESS CONNECTOR (014)

17.9 MIN. AT PAD LOCATION CLEARANCE REQUIRED FOR HARNESS CONNECTOR CONSTRUCTION BELOW THIS PLANE IS NOT CONTROLLED (015)

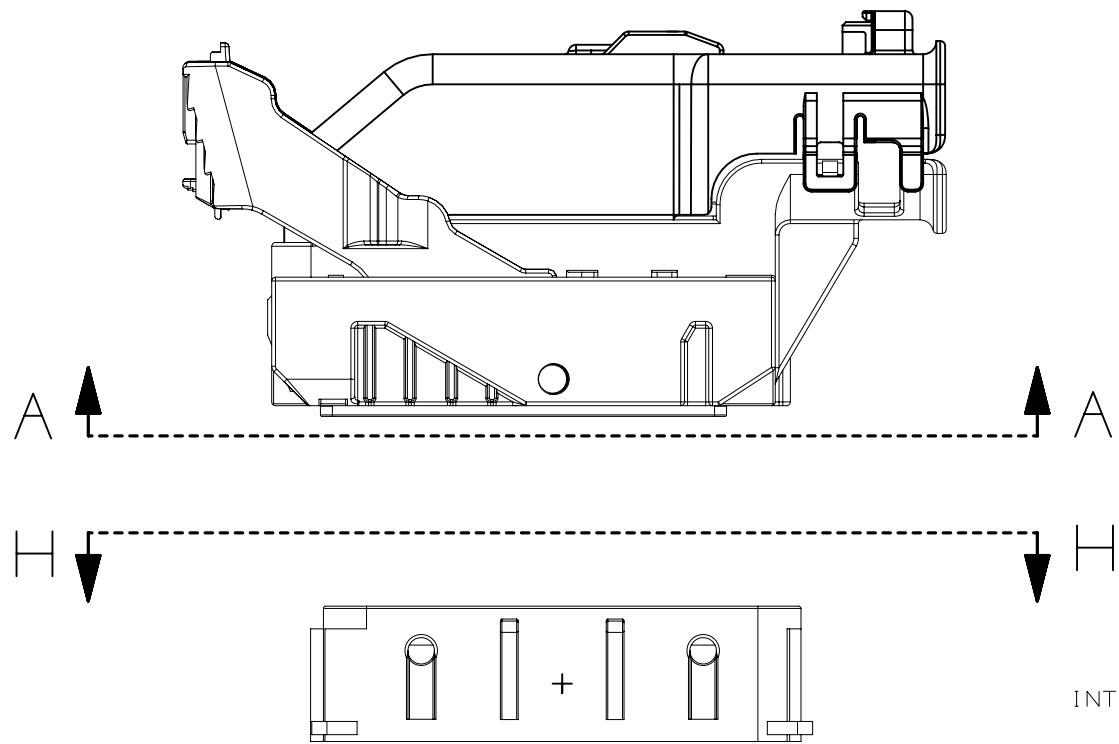


PAGE TITLE
LOCATION AND PACKAGING DIMENSIONS
REFERENCING INTERFACE DATUM A

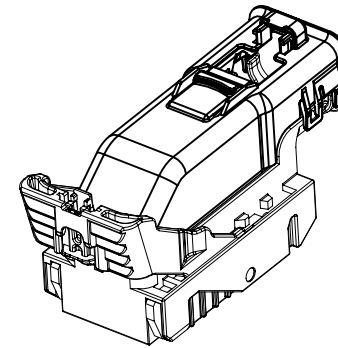
DRAWING NUMBER
12672833

DWG STATUS		
ST	REV	PD1
R	001	

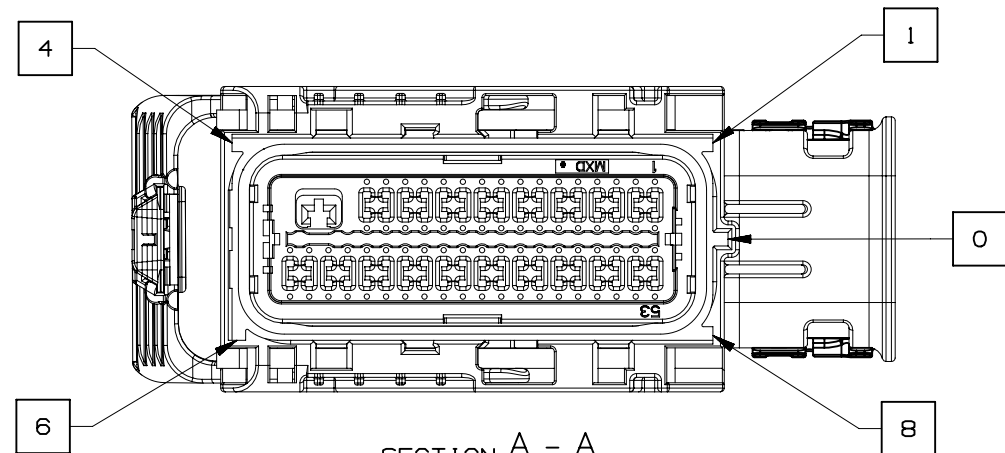
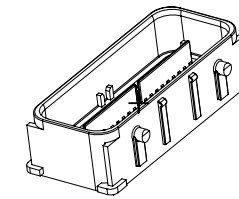
PAGE NUMBER
10 OF 22



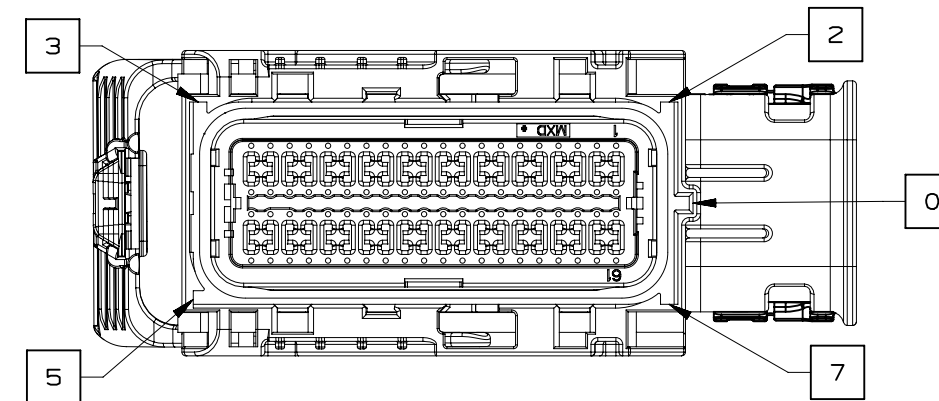
INTERFACE SIDE SHOWN ON ALL SECTION VIEWS



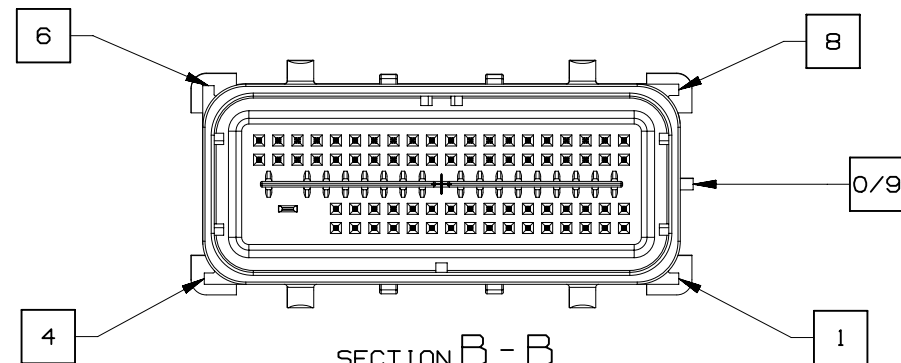
NOTE: REFERENCE THE COMPONENT TABLE FOR KEY OPTIONS AND CONFIGURATIONS



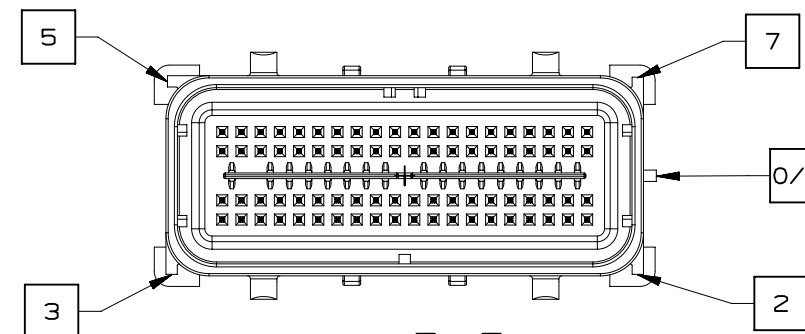
SECTION A - A
73 CKT HARNESS CONNECTOR ASSEMBLY
KEY OPTION B SHOWN



SECTION A - A
80 CKT HARNESS CONNECTOR ASSEMBLY
KEY OPTION K SHOWN



SECTION B - B
73 CKT HARNESS CONNECTOR ASSEMBLY
KEY OPTION B SHOWN



SECTION B - B
80 CKT HARNESS CONNECTOR ASSEMBLY
KEY OPTION K SHOWN

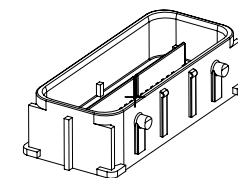
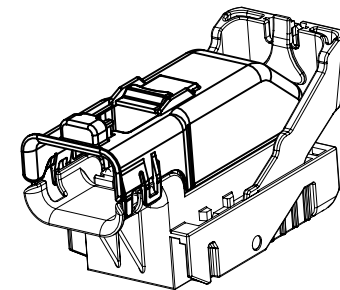
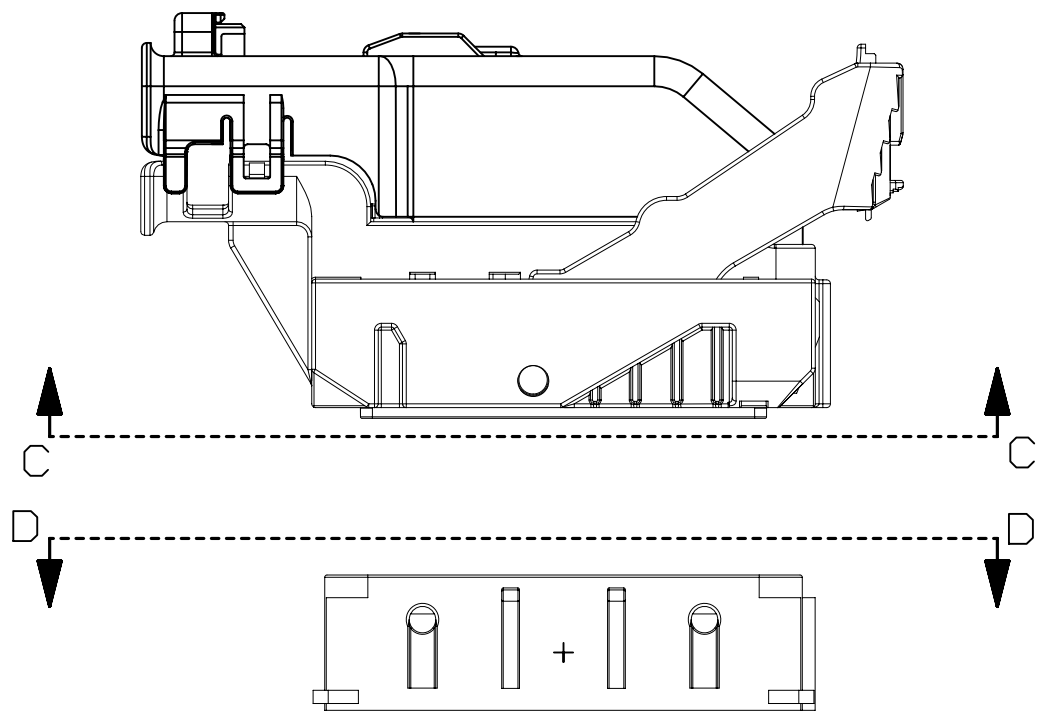


PAGE TITLE
KEY ID REF - WIRE DRESS OPTION 0

DRAWING NUMBER
12672833

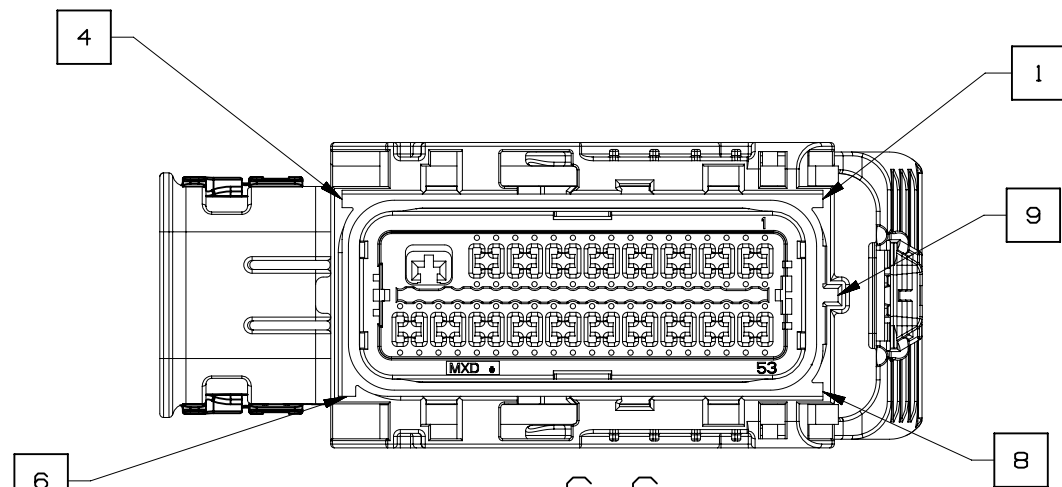
DWG STATUS		
ST	REV	PD1
R	001	

PAGE NUMBER
11 OF 22

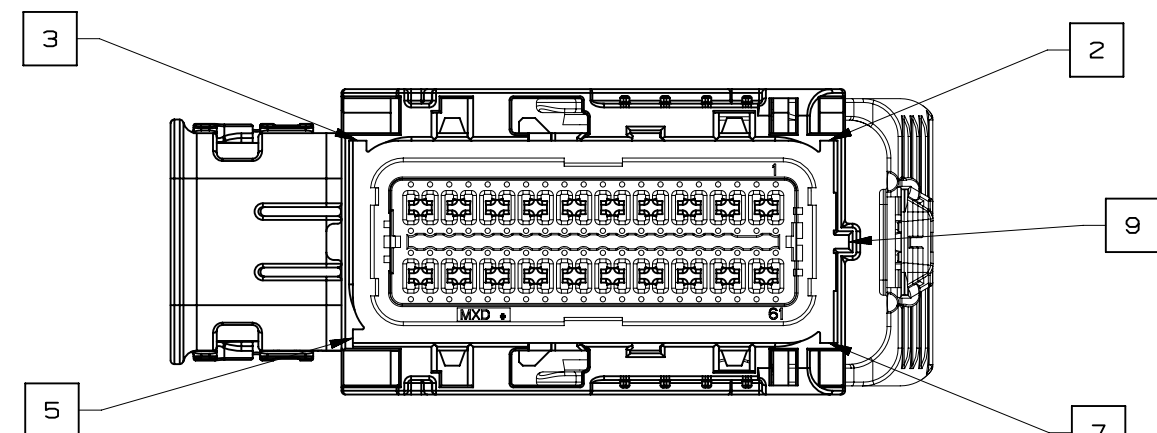


NOTE: REFERENCE THE COMPONENT TABLE FOR KEY OPTIONS AND CONFIGURATIONS

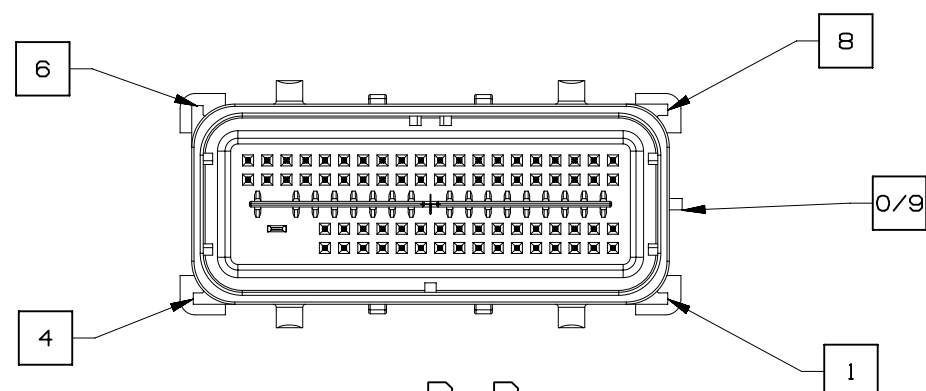
INTERFACE SIDE SHOWN ON ALL SECTION VIEWS



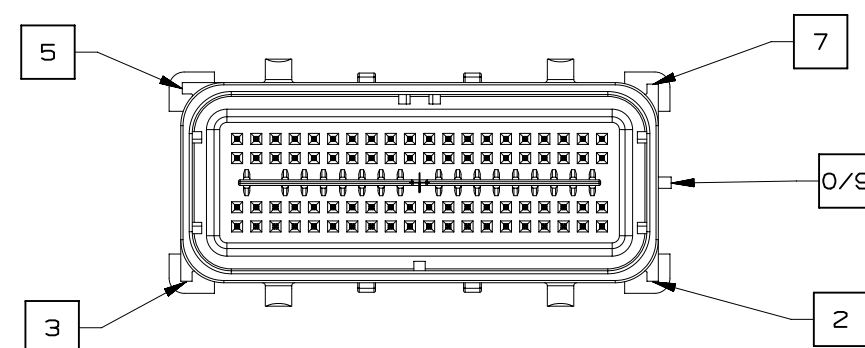
SECTION C-C
73 CKT HARNESS CONNECTOR ASSEMBLY
KEY OPTION B SHOWN



SECTION C-C
80 CKT HARNESS CONNECTOR ASSEMBLY
KEY OPTION K SHOWN



SECTION D-D
73 CKT HARNESS CONNECTOR ASSEMBLY
KEY OPTION B SHOWN



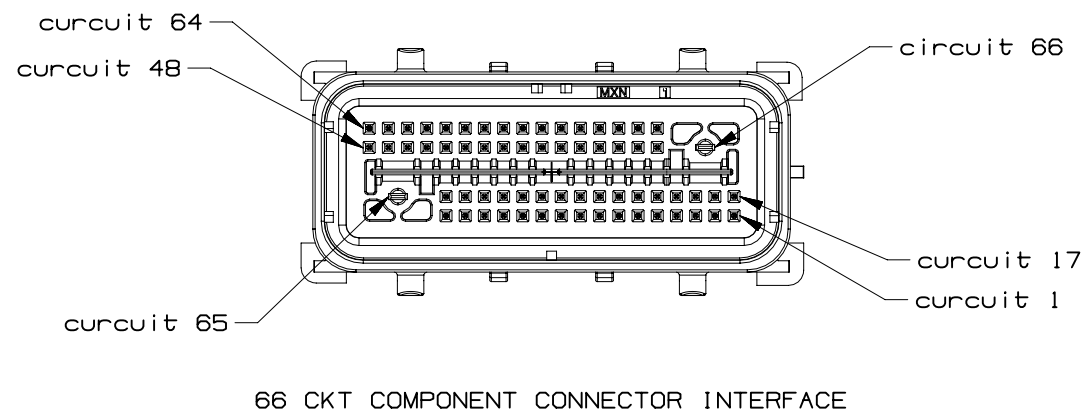
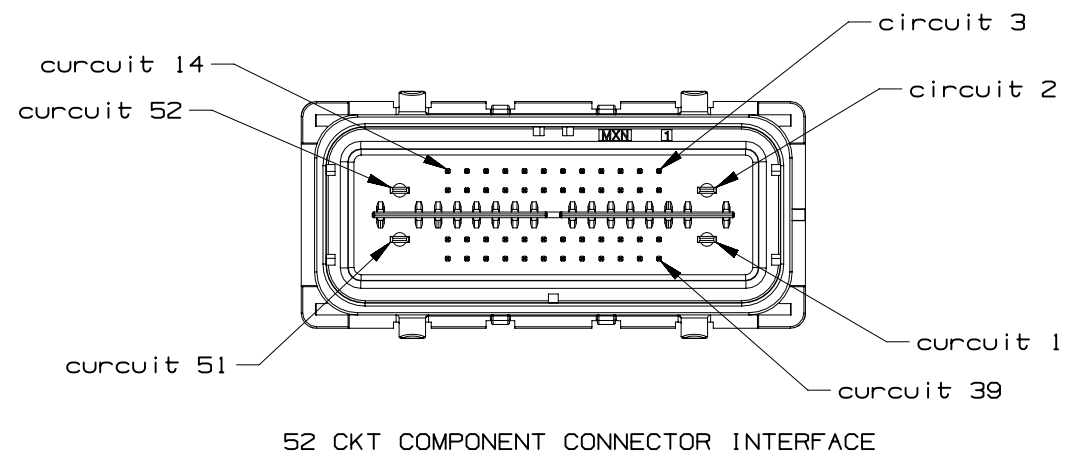
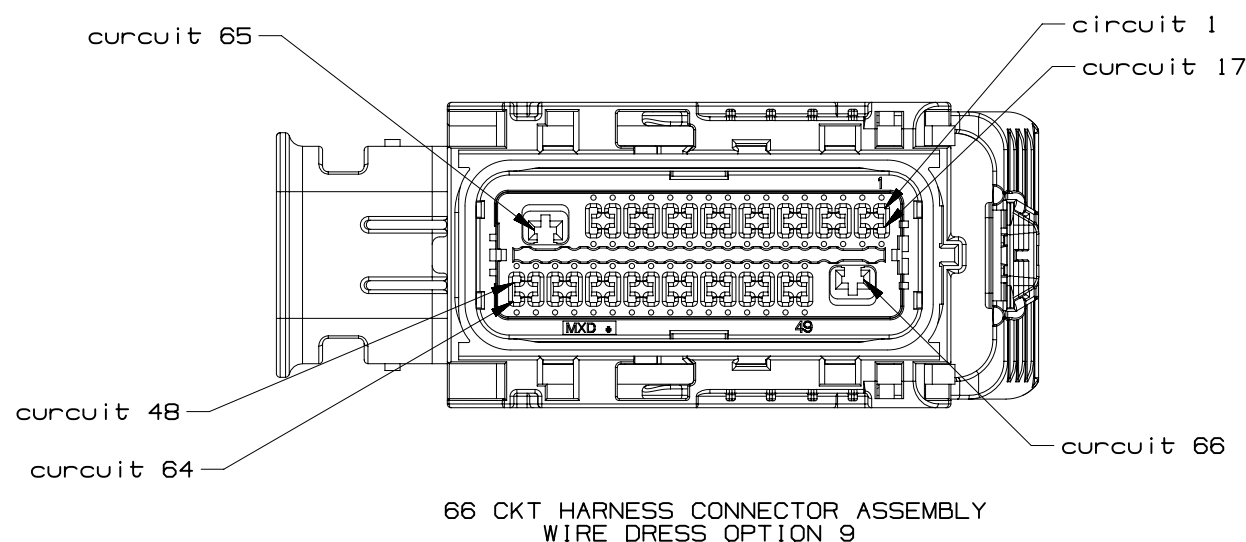
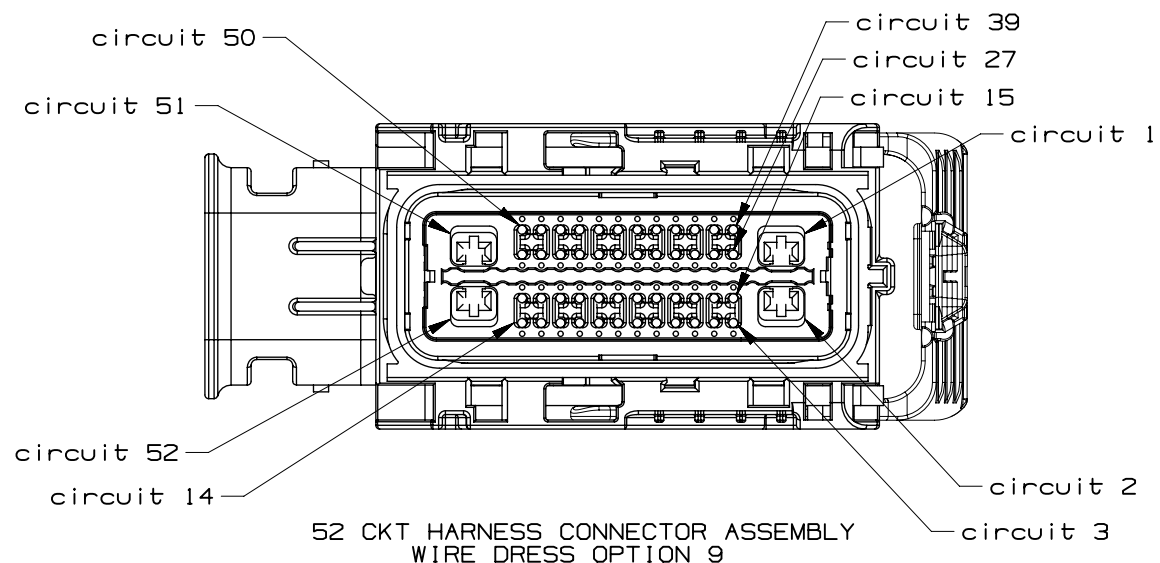
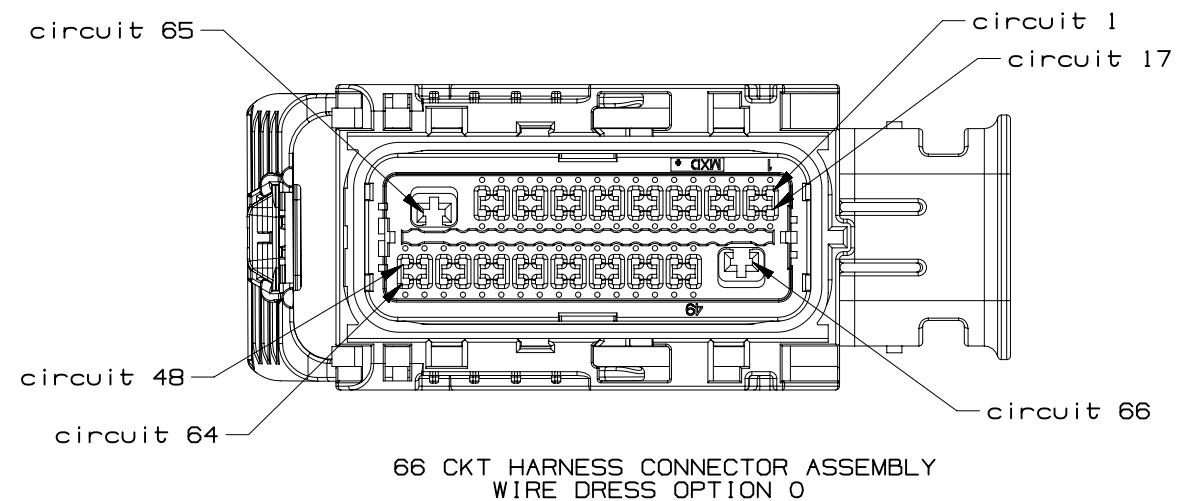
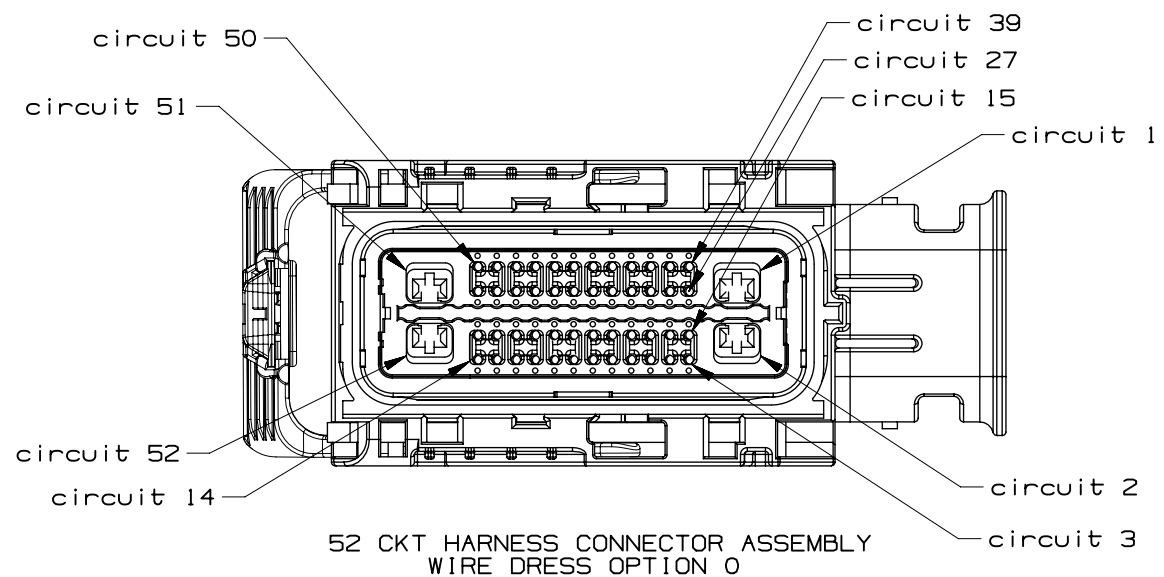
SECTION D-D
80 CKT HARNESS CONNECTOR ASSEMBLY
KEY OPTION K SHOWN



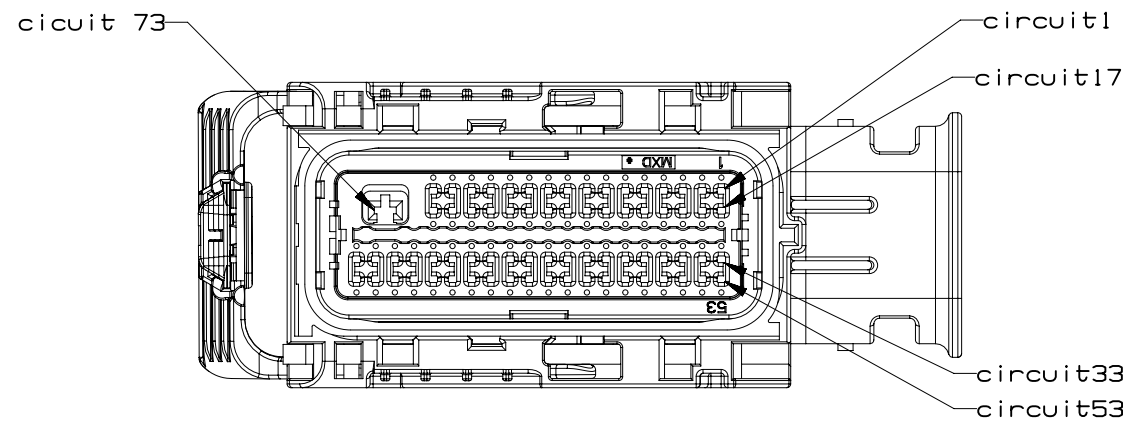
PAGE TITLE
KEY ID REF - WIRE DRESS OPTION 9

DRAWING NUMBER
12672833

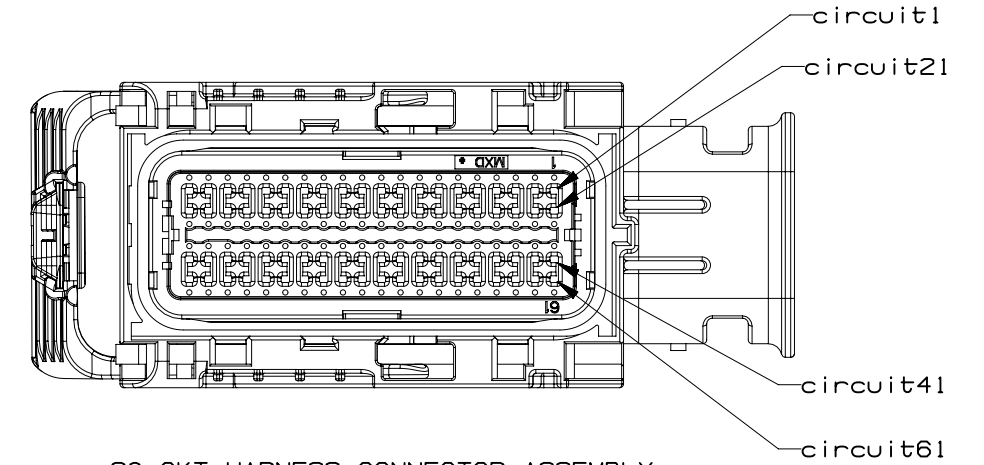
DWG STATUS			PAGE NUMBER
ST	REV	PD1	
R	001		12 OF 22



	PAGE TITLE		DRAWING NUMBER		DWG STATUS			PAGE NUMBER			
	CIRCUIT CONFIGURATIONS				12672833			ST	REV	PDI	13 of 22
					R	001					

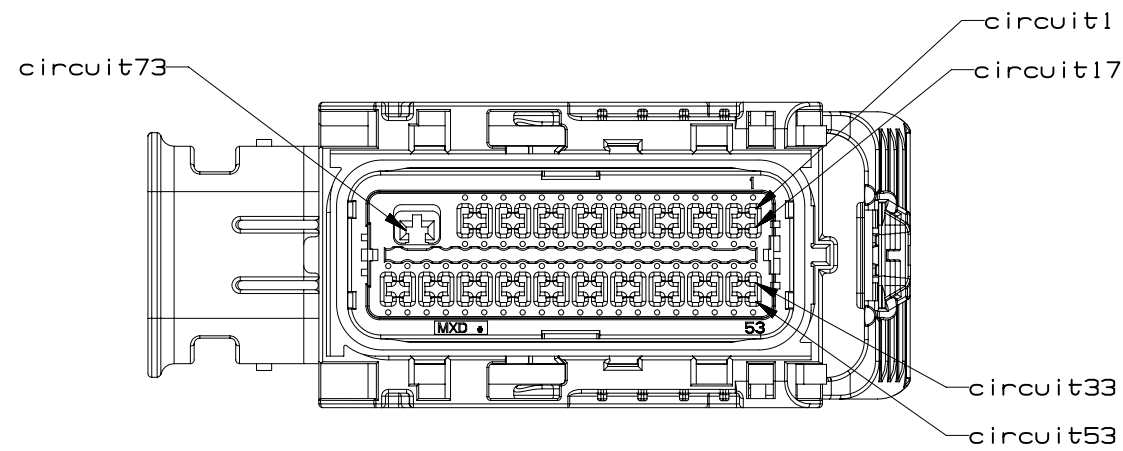


73 CKT HARNESS CONNECTOR ASSEMBLY
WIRE DRESS OPTION 0

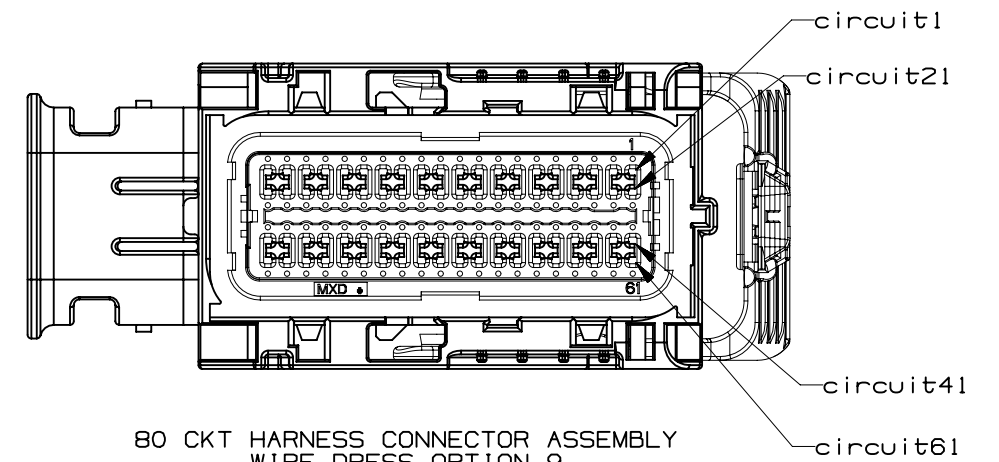


80 CKT HARNESS CONNECTOR ASSEMBLY
WIRE DRESS OPTION 0

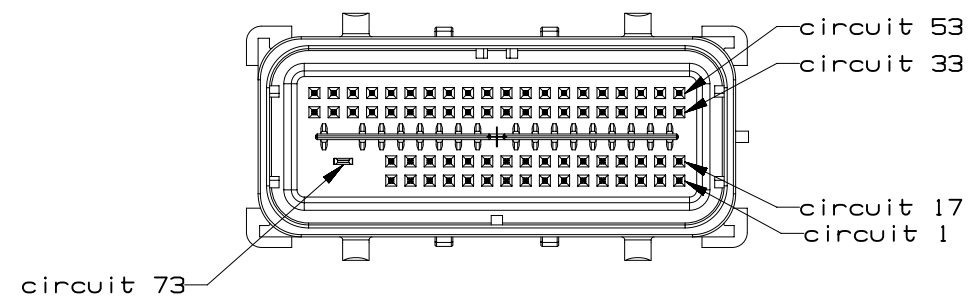
INTERFACE SIDE SHOWN ON ALL VIEWS



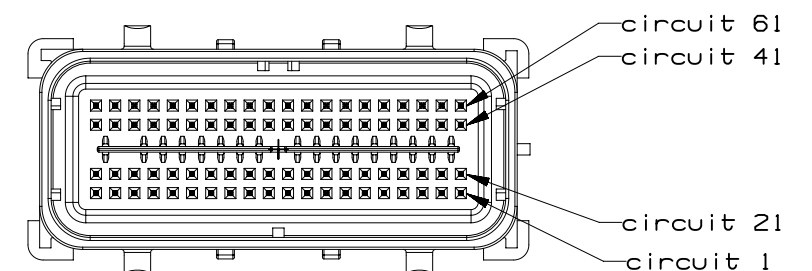
73 CKT HARNESS CONNECTOR ASSEMBLY
WIRE DRESS OPTION 9



80 CKT HARNESS CONNECTOR ASSEMBLY
WIRE DRESS OPTION 9

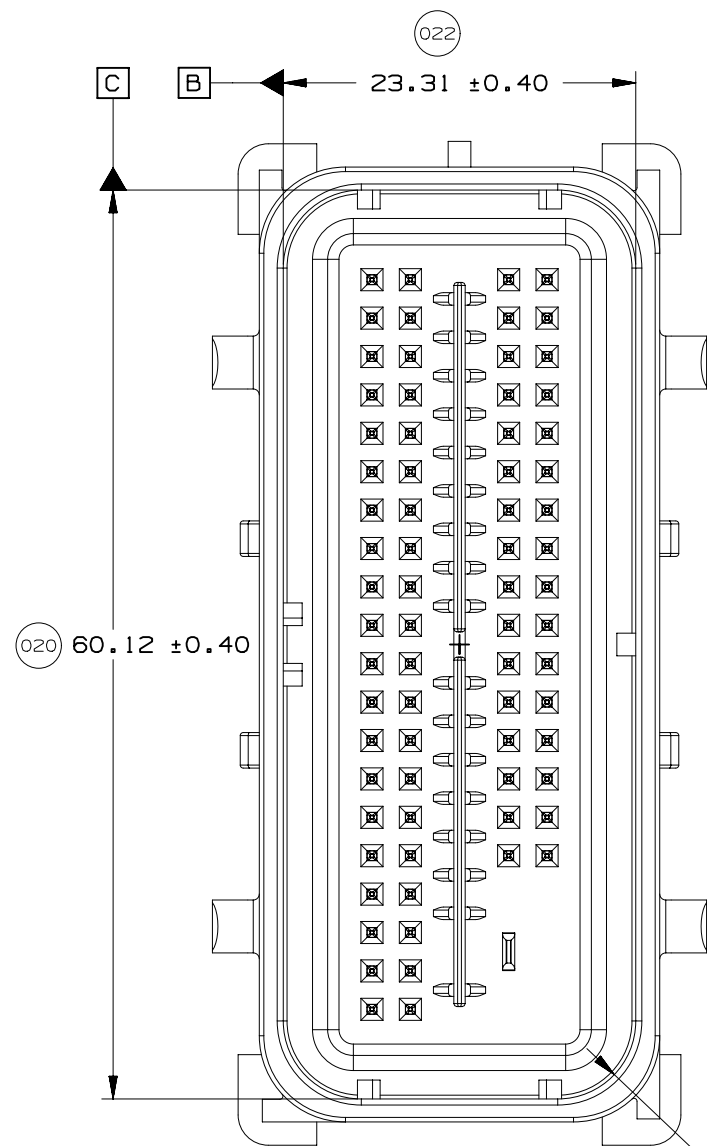
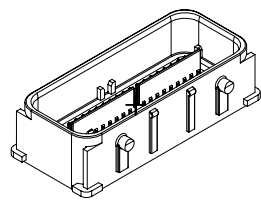


73 CKT COMPONENT CONNECTOR INTERFACE

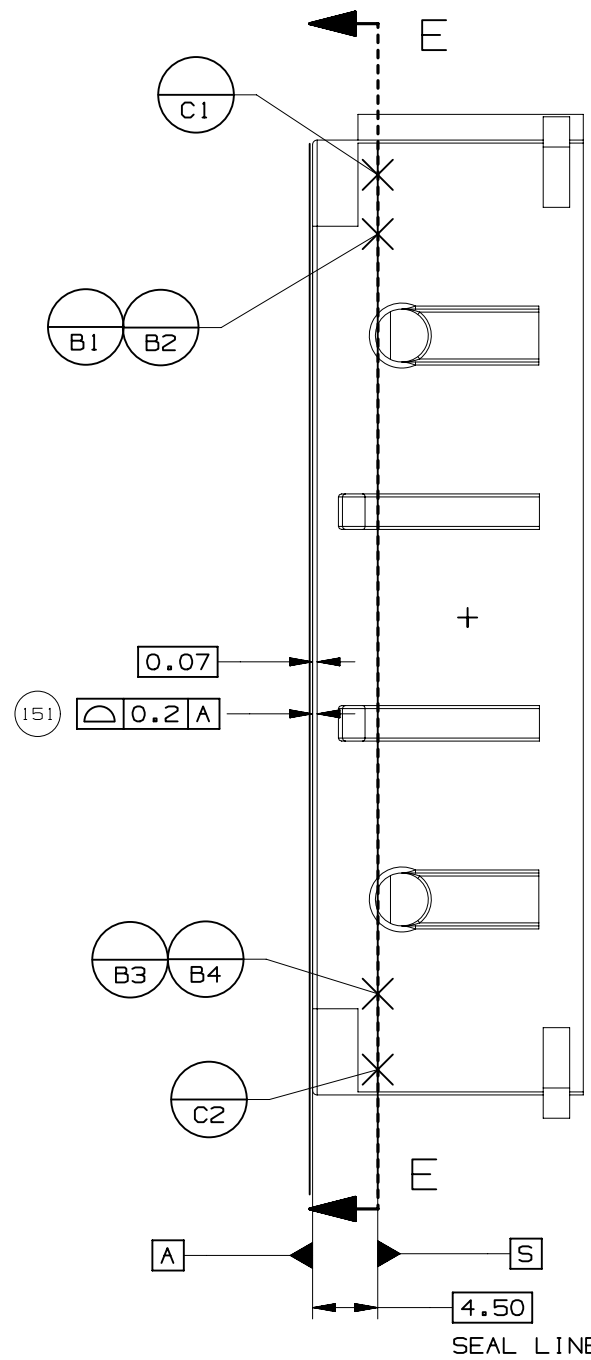


80 CKT COMPONENT CONNECTOR INTERFACE

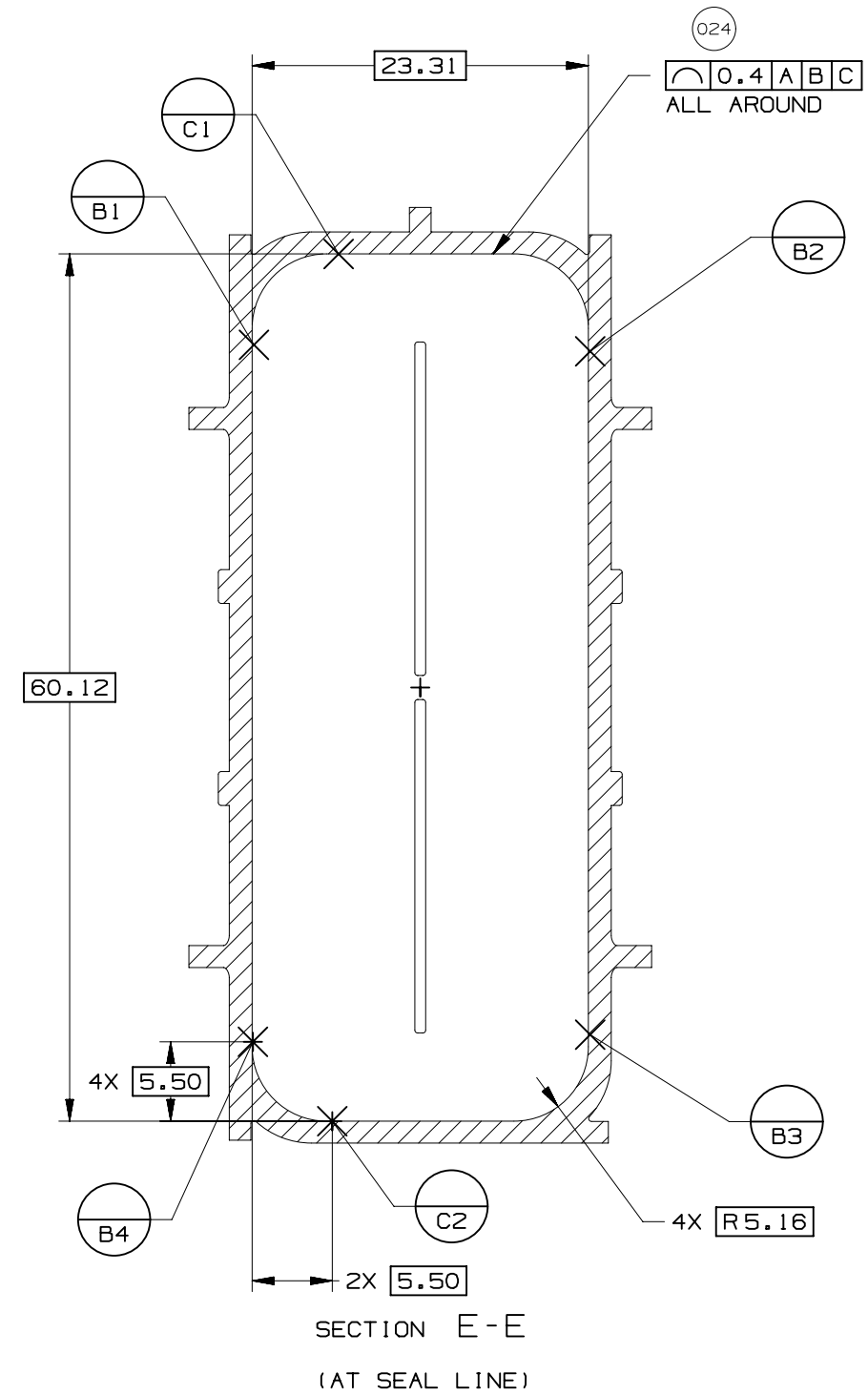




4X R5.16 ± 0.30



SEAL LINE



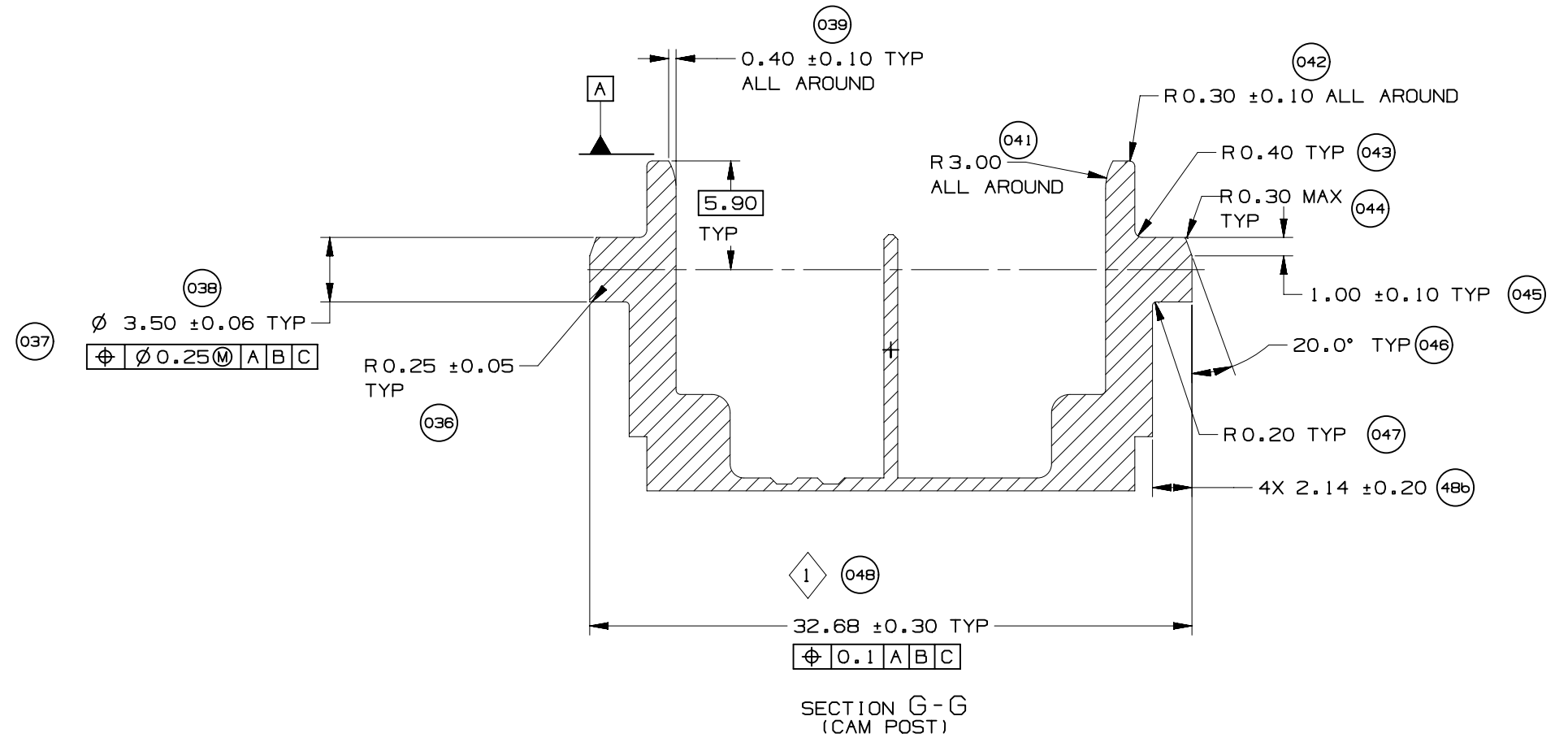
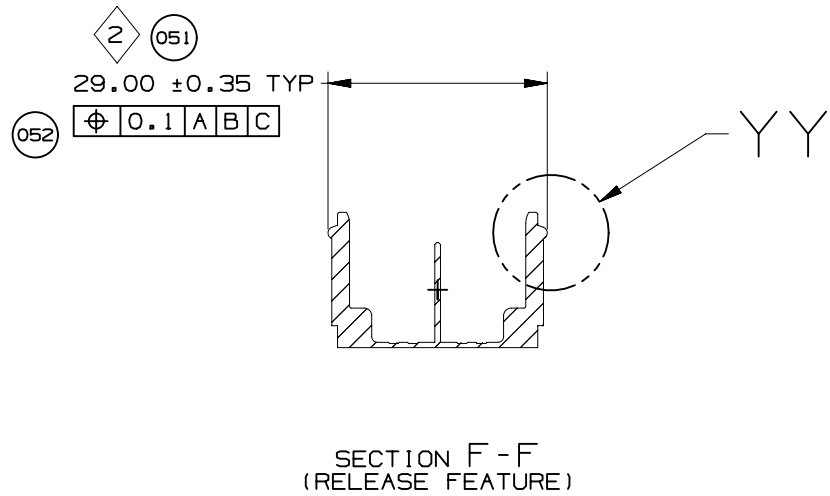
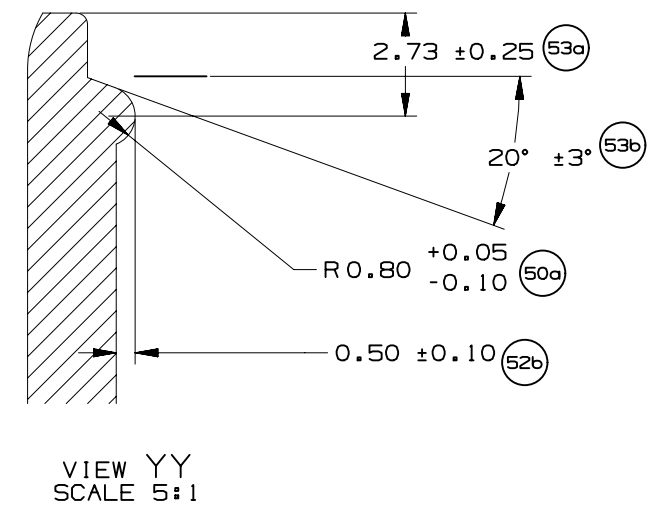
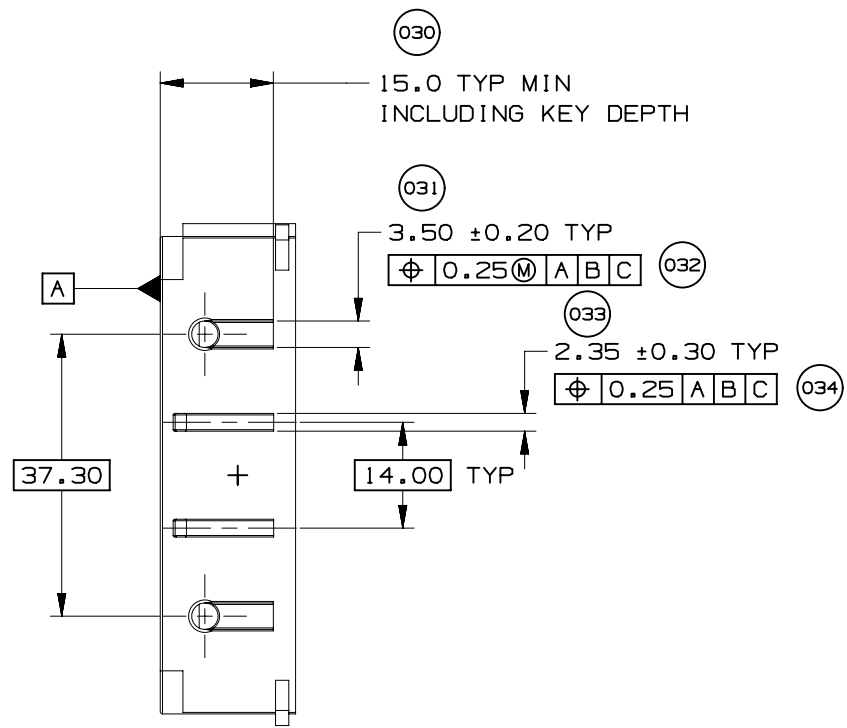
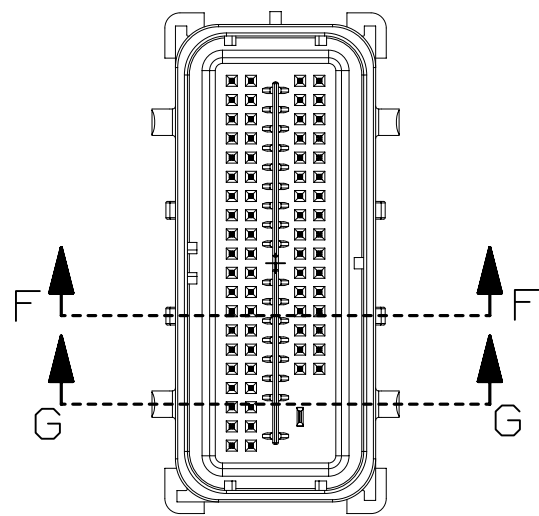
UNLESS SPECIFIED, TOLERANCE OF THE COMPONENT CONNECTOR INTERFACE TO BE $\sqrt[0.13]{A B C}$



PAGE TITLE
COMPONENT CONNECTOR INTERFACE

DRAWING NUMBER
12672833

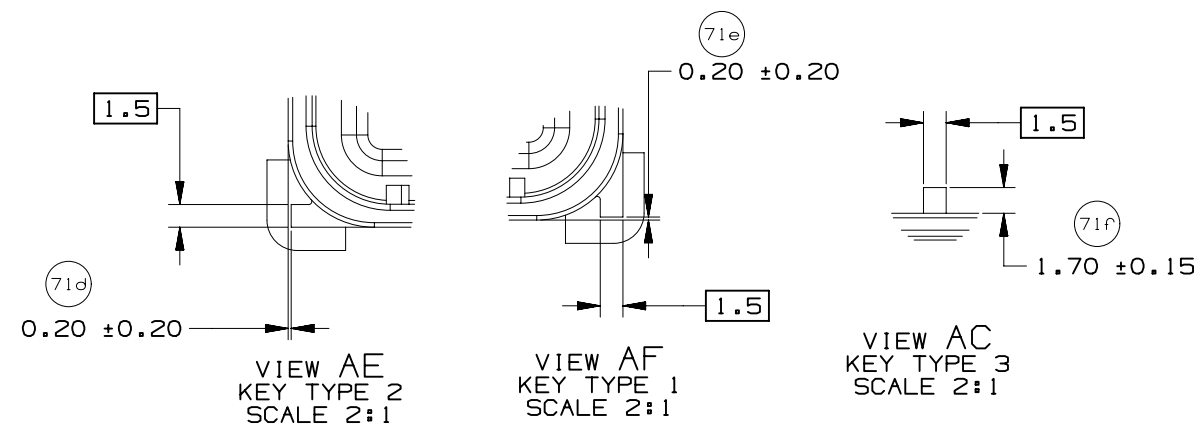
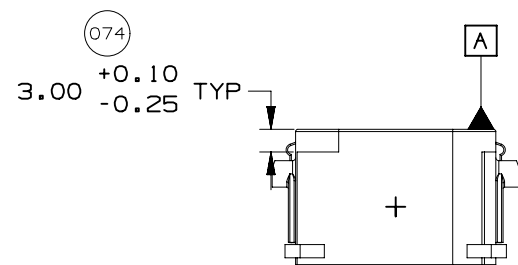
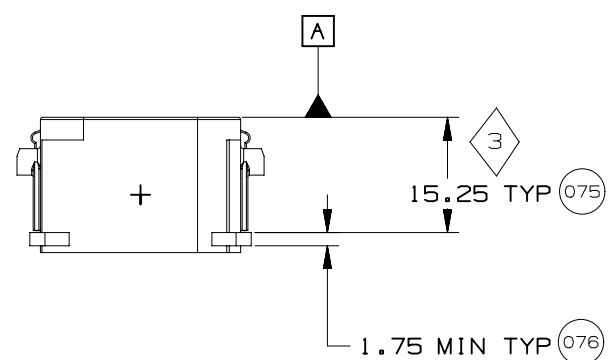
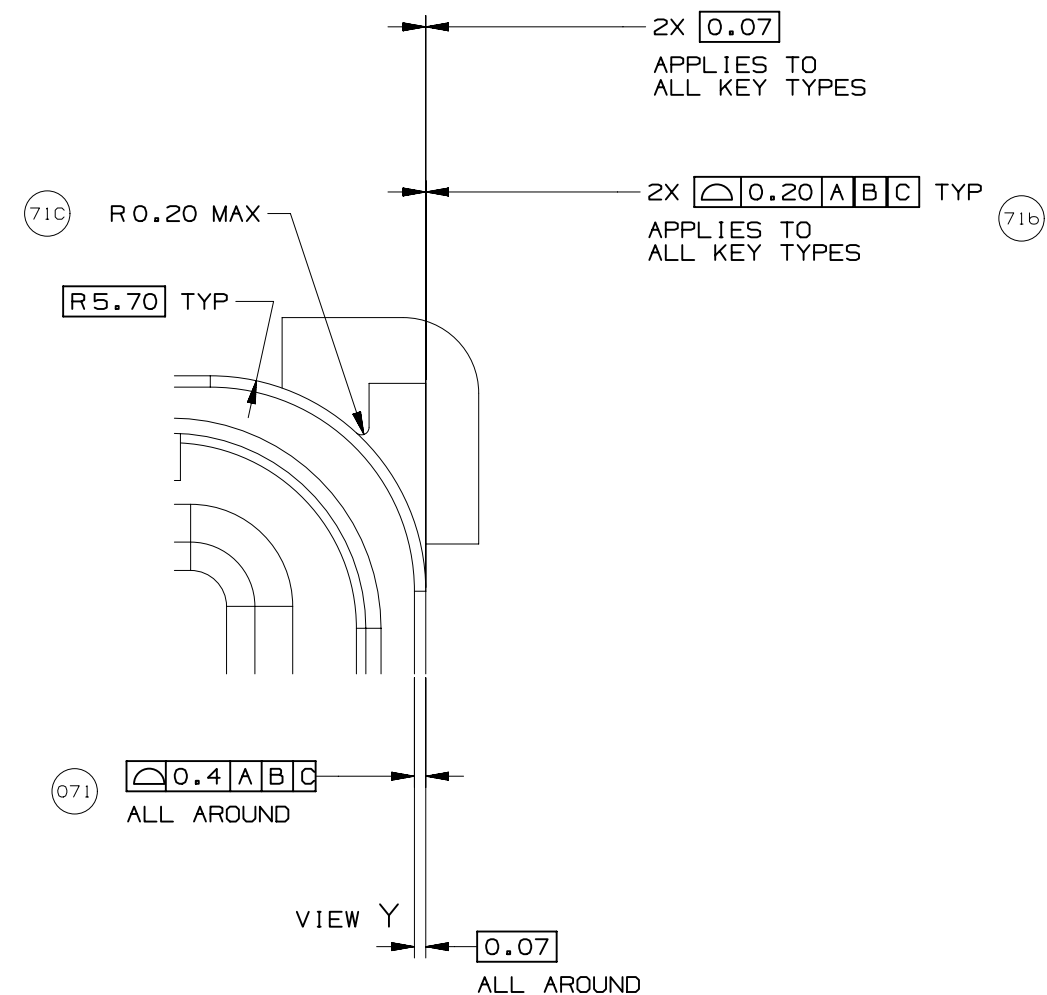
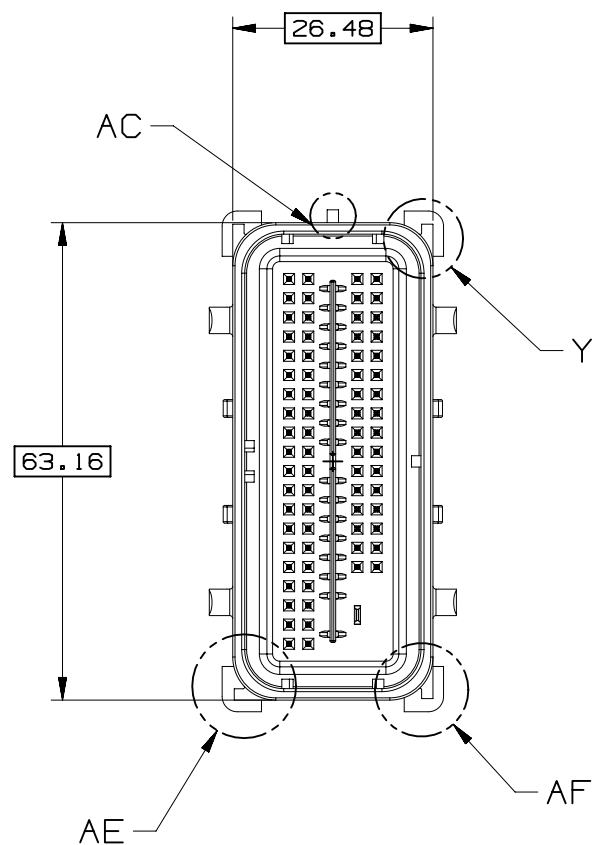
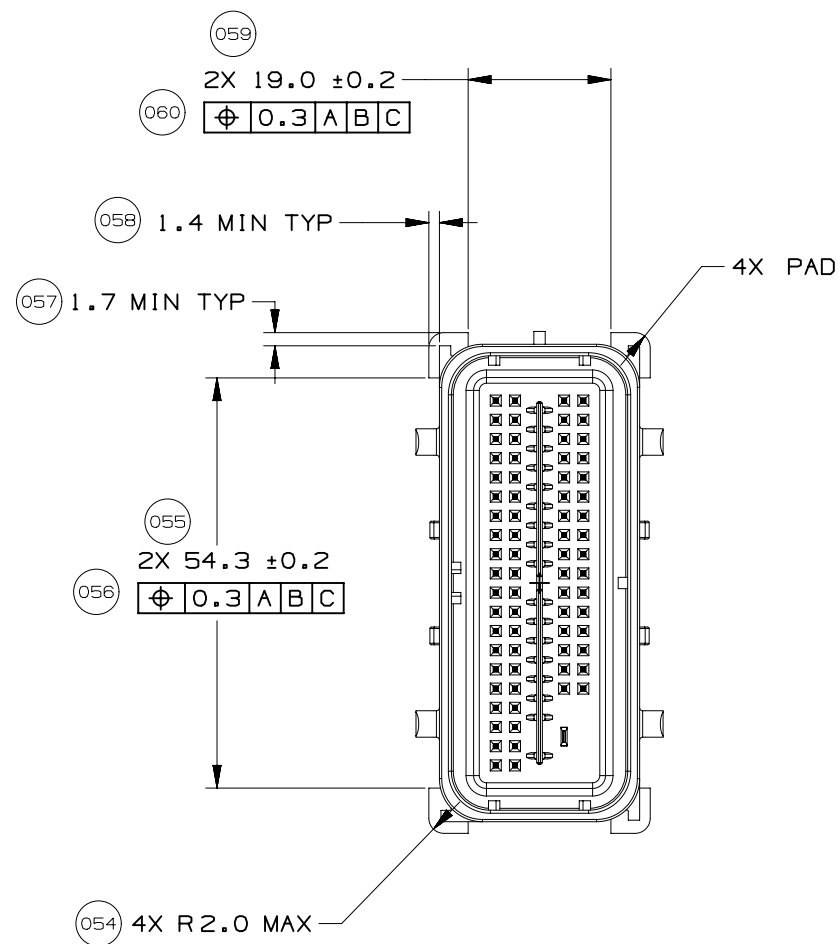
DWG STATUS			PAGE NUMBER
ST	REV	PD1	
R	001		15 OF 22



PAGE TITLE
COMPONENT CONNECTOR INTERFACE

DRAWING NUMBER
12672833

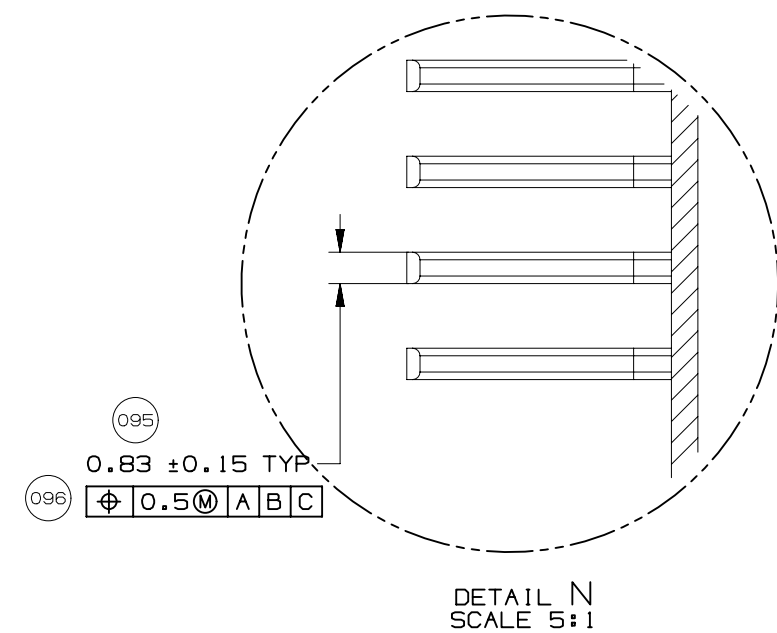
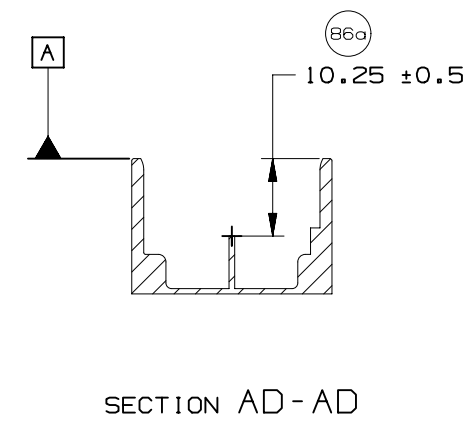
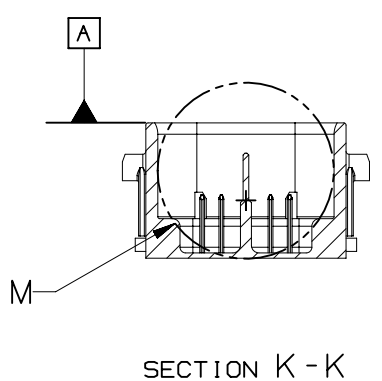
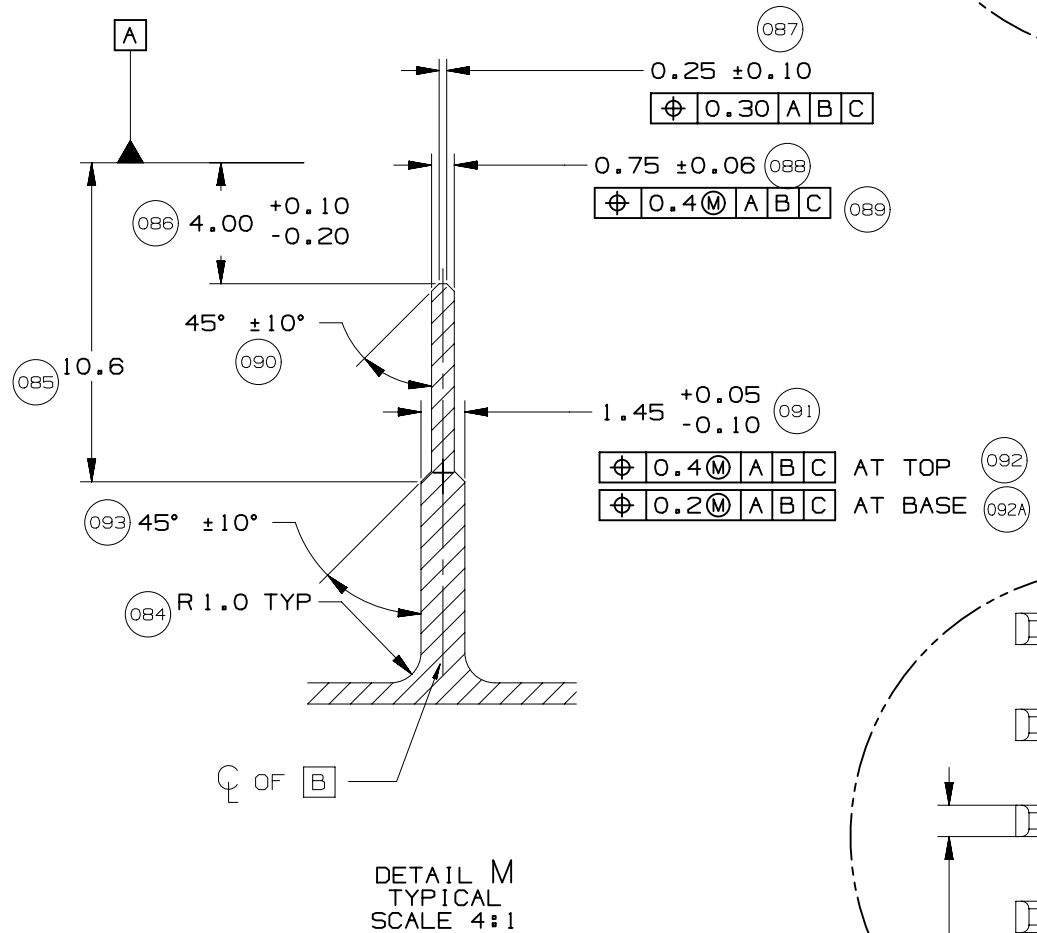
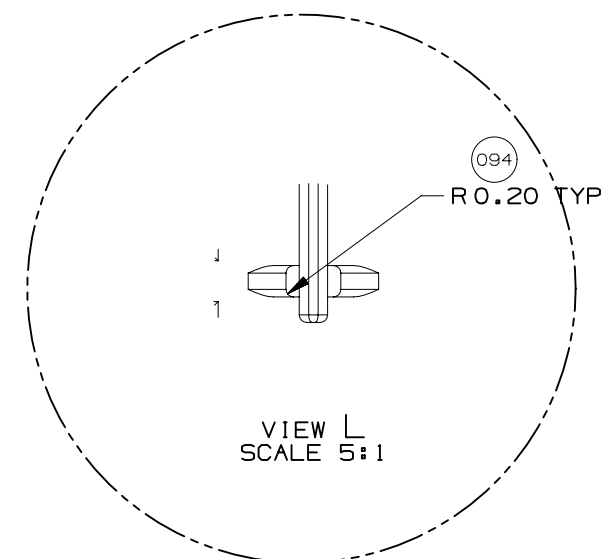
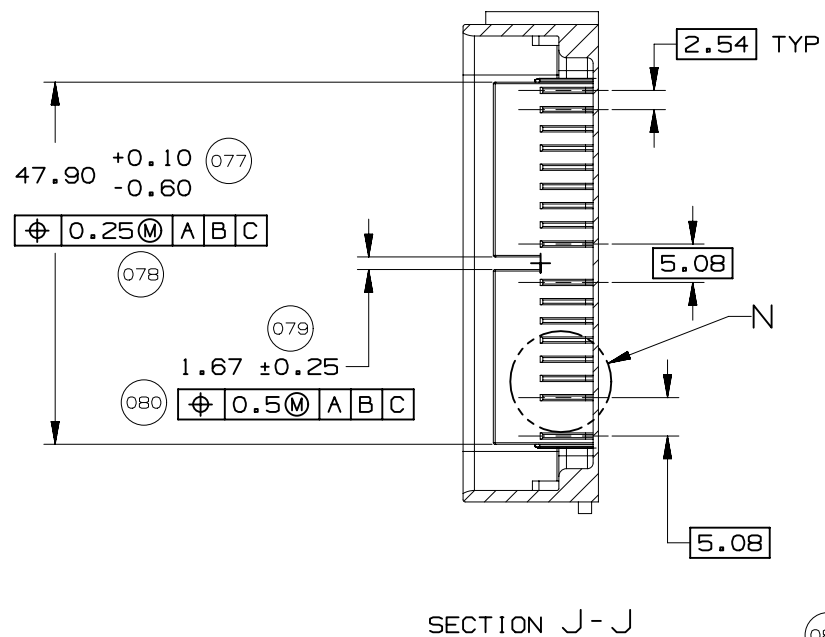
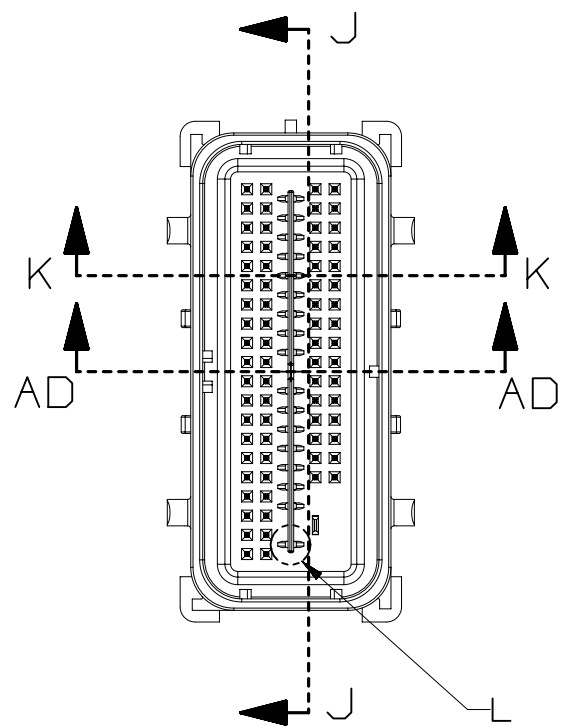
DWG STATUS			PAGE NUMBER
ST	REV	PDI	
R	001		16 OF 22

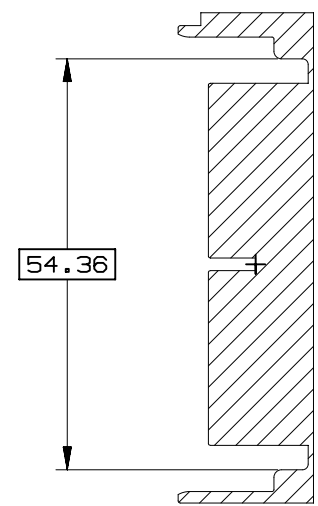
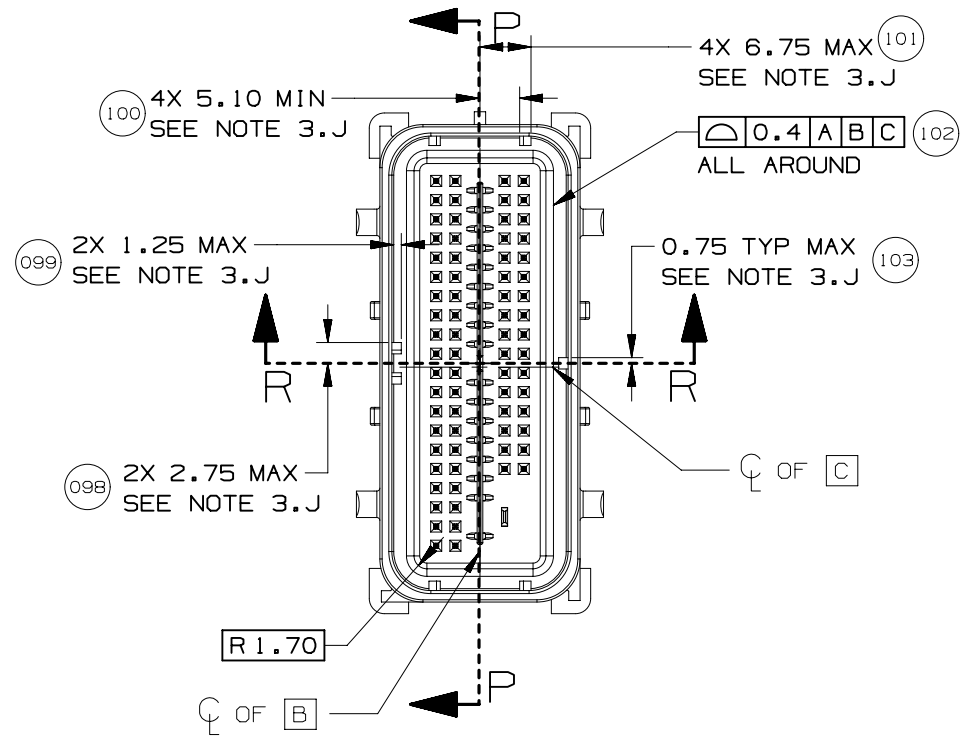


PAGE TITLE
 COMPONENT CONNECTOR INTERFACE

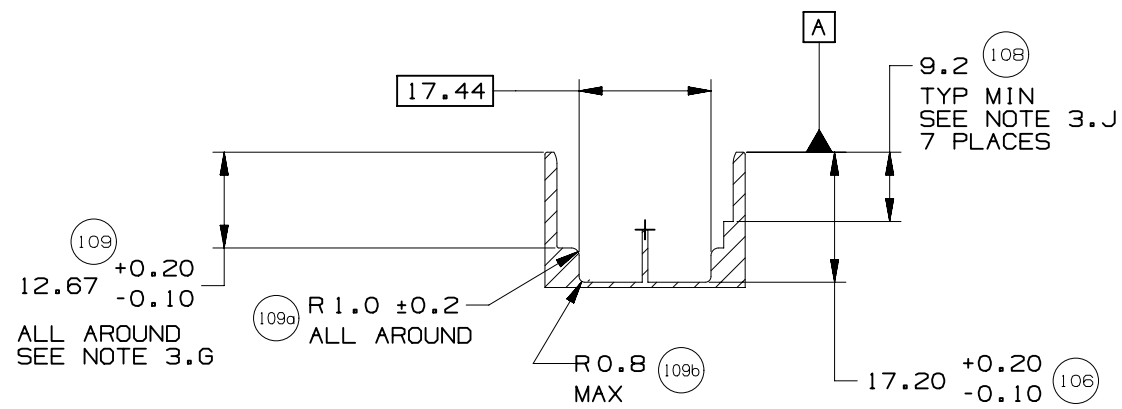
DRAWING NUMBER
 12672833

DWG STATUS			PAGE NUMBER
ST	REV	PD1	
R	001		17 OF 22





SECTION P-P



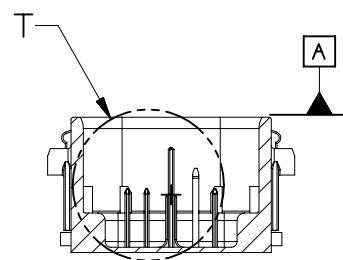
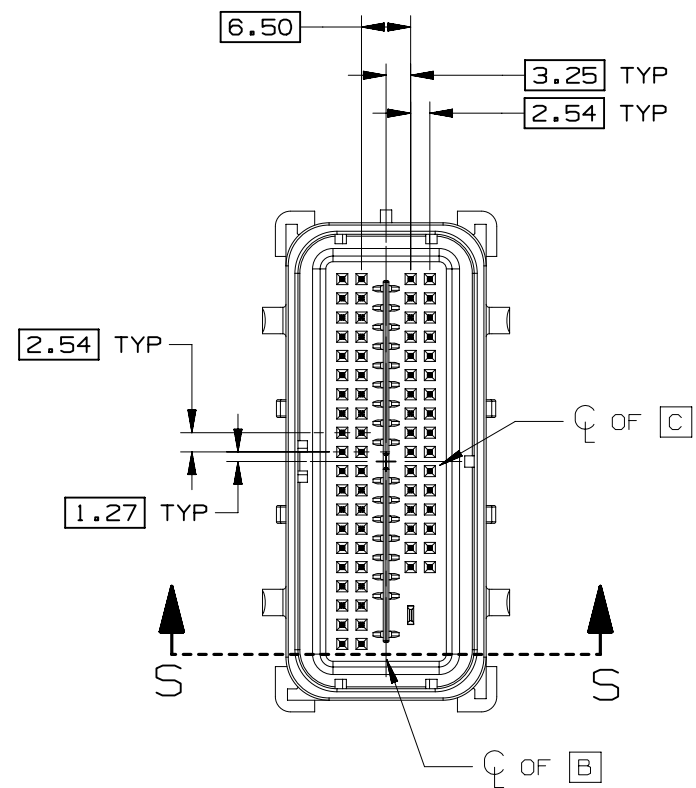
SECTION R-R



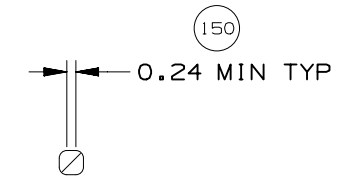
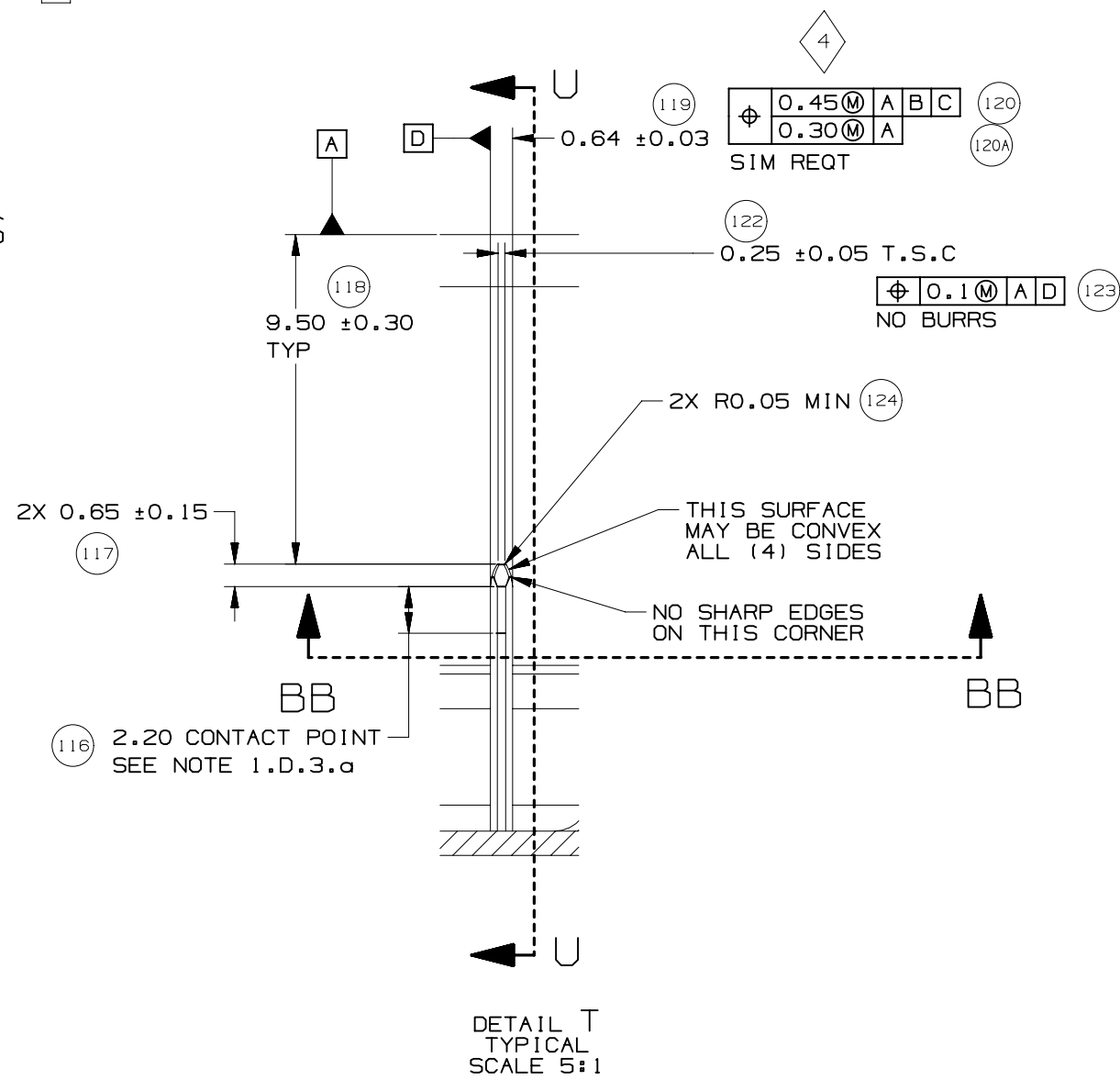
PAGE TITLE
COMPONENT CONNECTOR INTERFACE

DRAWING NUMBER
12672833

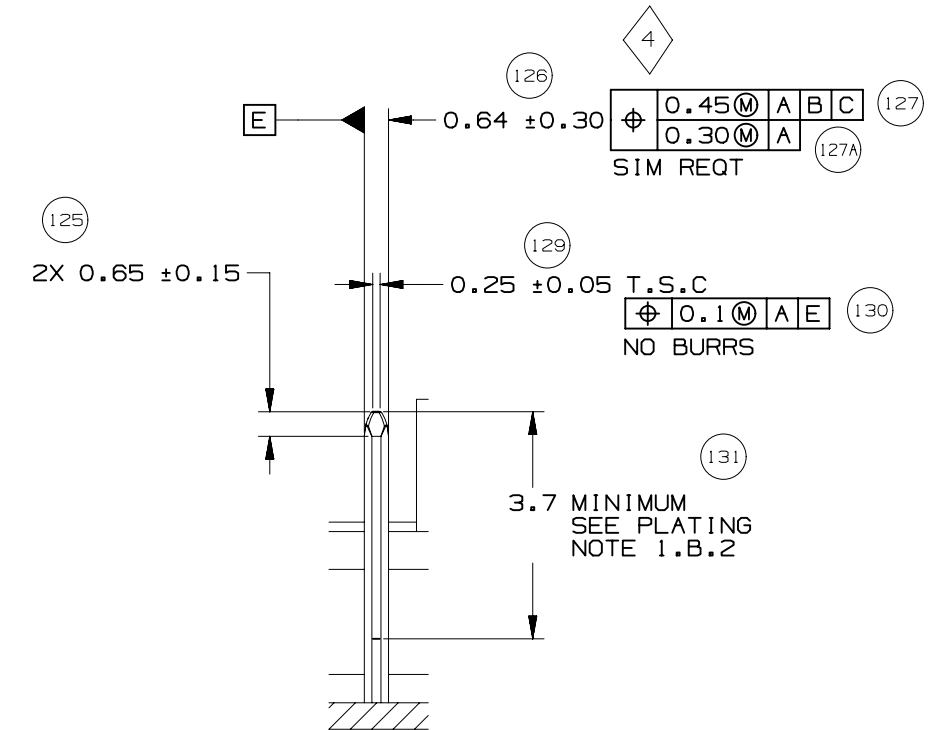
DWG STATUS			PAGE NUMBER	
ST	REV	PD1	19	OF 22
R	001			



SECTION S-S

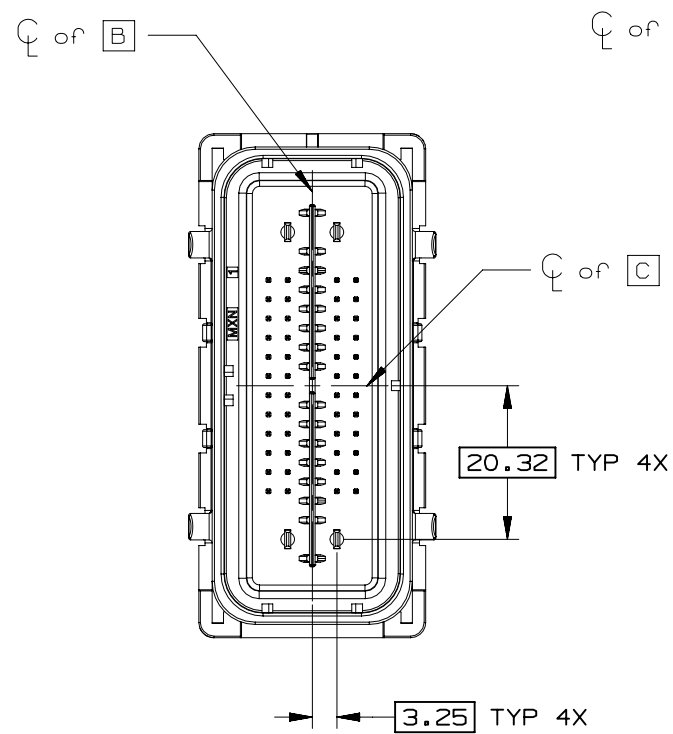


SECTION BB-BB

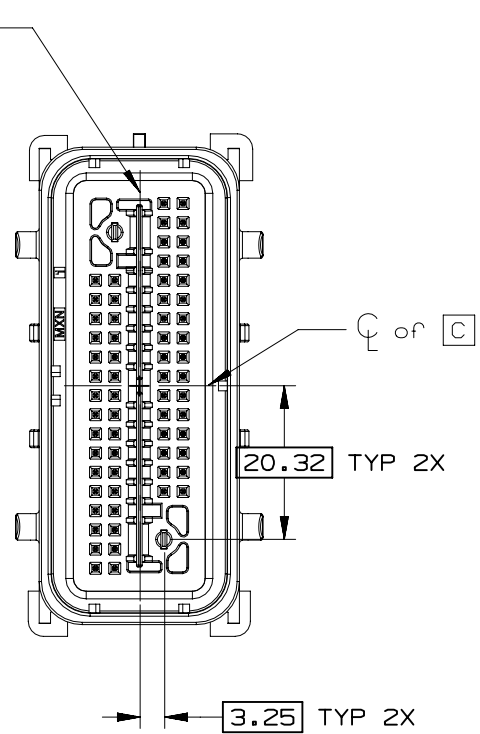


SECTION U-U TYPICAL

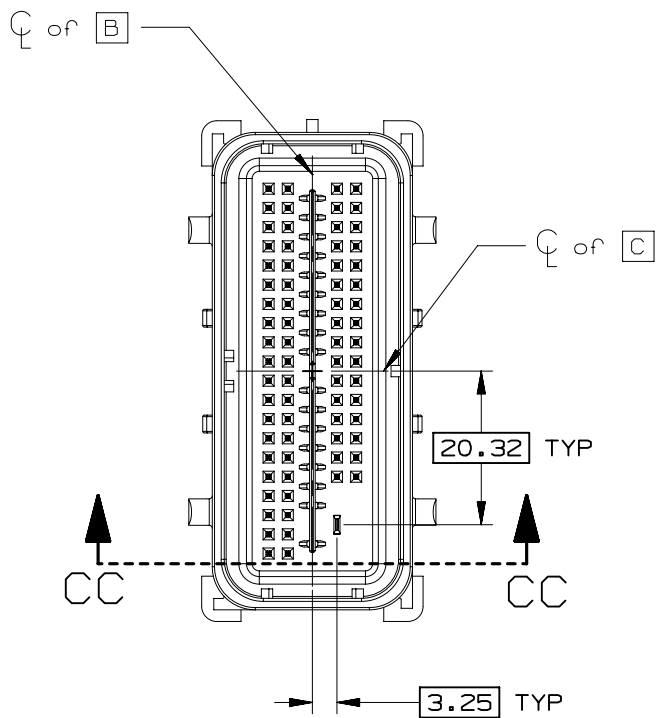




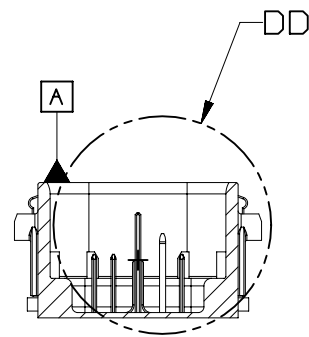
52 CKT COMPONENT
CONNECTOR INTERFACE



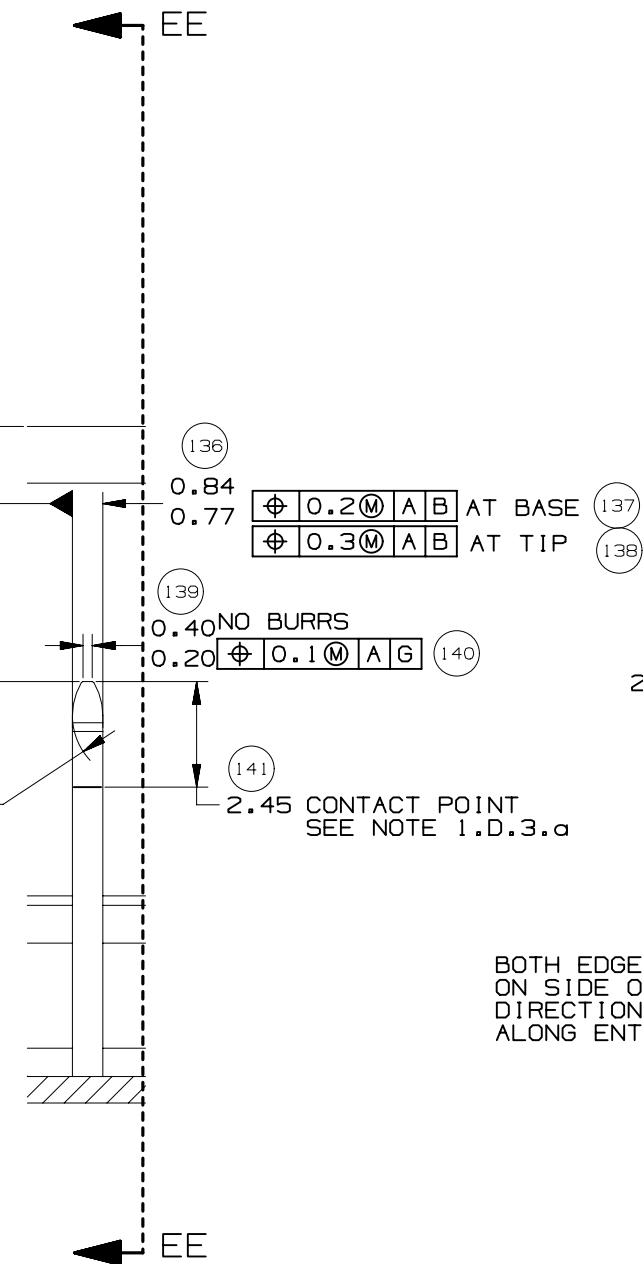
66 CKT COMPONENT
CONNECTOR INTERFACE



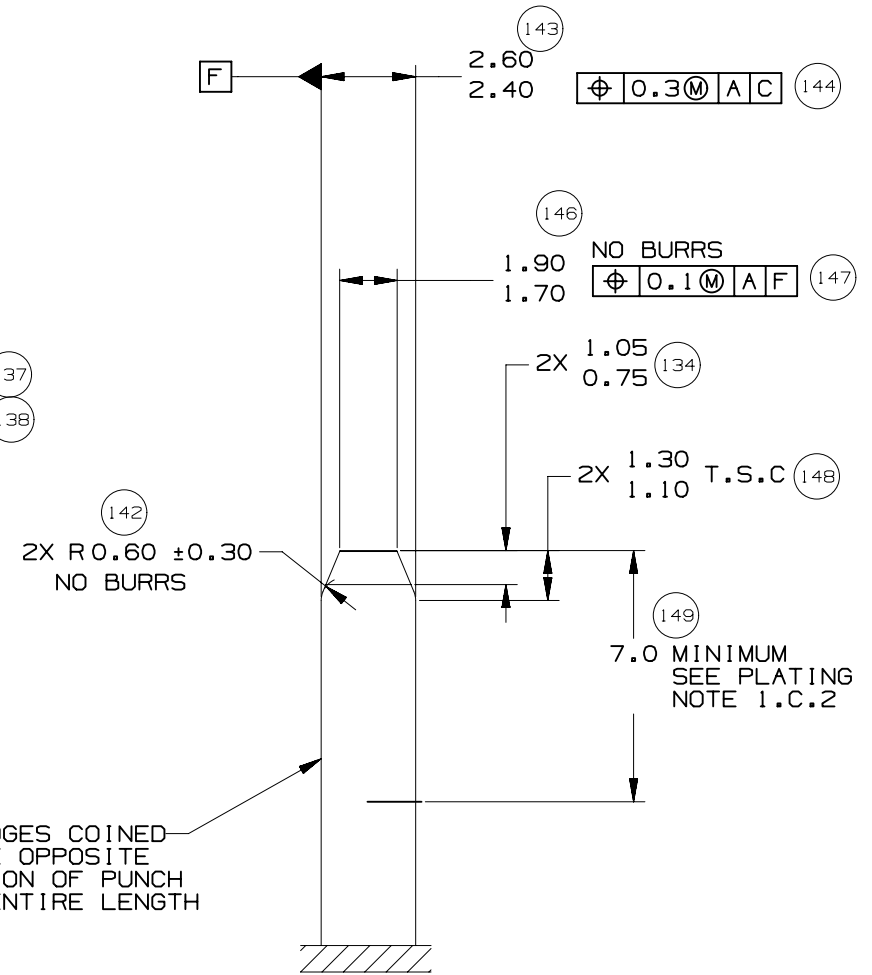
73 CKT COMPONENT
CONNECTOR INTERFACE



SECTION CC-CC



DETAIL DD
TYPICAL
SCALE 5:1



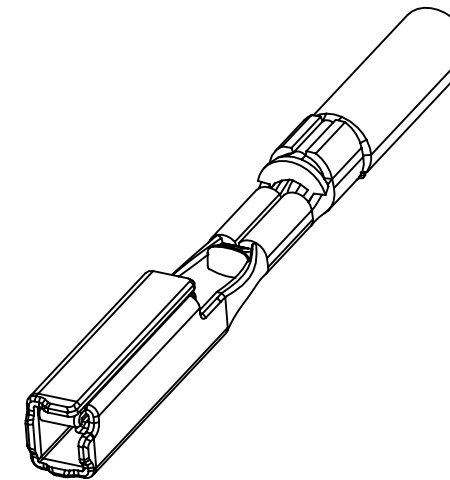
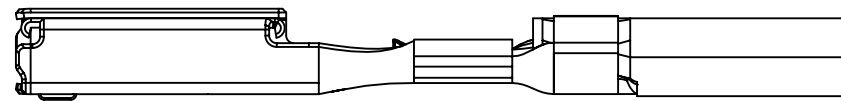
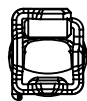
SECTION EE-EE
TYPICAL

BOTH EDGES COINED
ON SIDE OPPOSITE
DIRECTION OF PUNCH
ALONG ENTIRE LENGTH



MOLEX MX64 RECEPTACLE TERMINAL INFORMATION

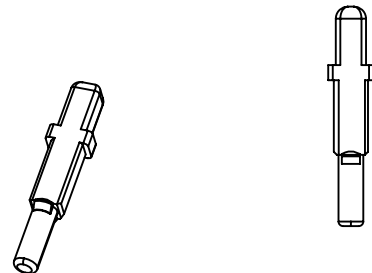
ITEM	MOLEX P/N	GM P/N	WIRE SIZE MM2	TYPE	PLATING	REEL WIND DIRECTION	COMMENTS
1	34736-0025		0.35	ISO	SILVER	LEFT	
2	34736-0026	12672850	0.35	ISO	SILVER	RIGHT	
3	34736-0027		0.5 / 0.75	ISO	SILVER	LEFT	
4	34736-0028	12672851	0.5 / 0.75	ISO	SILVER	RIGHT	



CAVITY PLUGS

ITEM	MFG	MFG P/N	GM P/N RD	SIZE	COLOR	MFG DRAWING	PROD SPEC	APP SPEC	COMMENTS
1	MOLEX	34586-0001	12674820	0.64	NATURAL	SD-34586-001	PS-34566-0000	AS-34566-001	
2	YAZAKI	7158-3114-90	12674821	2.8	BLUE	7158-3114-90	YPES-11-04-062	YPES-15-299	

ITEM 1



ITEM 2



PAGE TITLE
ADDITIONAL COMPONENTS REQUIRED

DRAWING NUMBER
12672833

DWG STATUS		
ST	REV	PD1
R	001	

PAGE NUMBER
22 OF 22

MX123 52/66/73/80-WAY RECEPTACLE ASSY SEALED PIN OUT SHEET

UNCHECKED cavity number(s) are OPEN																							
72	71	70	69	68	67	66	65	64	63	62	61	60	59	58	57	56	55	54	53				
<input checked="" type="checkbox"/>	<input checked="" type="checkbox"/>	<input checked="" type="checkbox"/>	<input type="checkbox"/>	<input type="checkbox"/>	<input type="checkbox"/>	<input checked="" type="checkbox"/>	<input type="checkbox"/>	<input type="checkbox"/>	<input checked="" type="checkbox"/>	<input checked="" type="checkbox"/>	<input checked="" type="checkbox"/>	<input checked="" type="checkbox"/>	<input checked="" type="checkbox"/>	<input type="checkbox"/>	<input checked="" type="checkbox"/>	<input checked="" type="checkbox"/>	<input checked="" type="checkbox"/>	<input checked="" type="checkbox"/>	<input checked="" type="checkbox"/>	<input checked="" type="checkbox"/>	<input checked="" type="checkbox"/>	<input checked="" type="checkbox"/>	
52	51	50	49	48	47	46	45	44	43	42	41	40	39	38	37	36	35	34	33				
<input checked="" type="checkbox"/>	<input checked="" type="checkbox"/>	<input checked="" type="checkbox"/>	<input checked="" type="checkbox"/>	<input checked="" type="checkbox"/>	<input checked="" type="checkbox"/>	<input checked="" type="checkbox"/>	<input type="checkbox"/>	<input type="checkbox"/>	<input checked="" type="checkbox"/>	<input checked="" type="checkbox"/>	<input checked="" type="checkbox"/>	<input checked="" type="checkbox"/>	<input checked="" type="checkbox"/>	<input checked="" type="checkbox"/>	<input checked="" type="checkbox"/>	<input checked="" type="checkbox"/>	<input checked="" type="checkbox"/>	<input checked="" type="checkbox"/>	<input checked="" type="checkbox"/>	<input checked="" type="checkbox"/>	<input checked="" type="checkbox"/>	<input checked="" type="checkbox"/>	
		32	31	30	29	28	27	26	25	24	23	22	21	20	19	18	17						
73			<input type="checkbox"/>	<input checked="" type="checkbox"/>	<input type="checkbox"/>	<input type="checkbox"/>	<input type="checkbox"/>	<input checked="" type="checkbox"/>	<input checked="" type="checkbox"/>	<input checked="" type="checkbox"/>	<input checked="" type="checkbox"/>	<input checked="" type="checkbox"/>	<input checked="" type="checkbox"/>	<input checked="" type="checkbox"/>	<input checked="" type="checkbox"/>	<input checked="" type="checkbox"/>	<input checked="" type="checkbox"/>	<input checked="" type="checkbox"/>	<input checked="" type="checkbox"/>	<input checked="" type="checkbox"/>	<input checked="" type="checkbox"/>	<input checked="" type="checkbox"/>	
<input checked="" type="checkbox"/>			16	15	14	13	12	11	10	9	8	7	6	5	4	3	2	1					
<input checked="" type="checkbox"/>	<input checked="" type="checkbox"/>	<input checked="" type="checkbox"/>	<input checked="" type="checkbox"/>	<input checked="" type="checkbox"/>	<input checked="" type="checkbox"/>	<input checked="" type="checkbox"/>	<input type="checkbox"/>	<input type="checkbox"/>	<input checked="" type="checkbox"/>	<input checked="" type="checkbox"/>	<input checked="" type="checkbox"/>	<input checked="" type="checkbox"/>	<input checked="" type="checkbox"/>	<input checked="" type="checkbox"/>	<input checked="" type="checkbox"/>	<input checked="" type="checkbox"/>	<input checked="" type="checkbox"/>	<input checked="" type="checkbox"/>	<input checked="" type="checkbox"/>	<input checked="" type="checkbox"/>	<input checked="" type="checkbox"/>	<input checked="" type="checkbox"/>	

FOR ADDITIONAL INFORMATION SEE SD-34566-001

STATUS	GM PART #	HRNS CONN ASSY			TPA	GROMMET CAP																			
		MATERIAL/PART	WIRE DRESS OPTION	KEY OPTION	COLOR OPTION	NUMBERS INDICATE CAVITIES OPEN FOR CIRCUITS																			
		NUMBER																							
SALEABLE	12672860	34566-0103	0	A	BLACK																				
SALEABLE	12672862	34566-0203	0	B	ST GRY	72	71	70	69	68	67	66	65	64	63	62	61	60	59	58	57	56	55	54	53
SALEABLE	12672864	34566-0303	0	C	BLUE	52	51	50	49	48	47	46	45	44	43	42	41	40	39	38	37	36	35	34	33
TOOL DES. REL.	12615660	34566-0403	0	D	BROWN	73				32	31	30	29	28	27	26	25	24	23	22	21	20	19	18	17
TOOL DES. REL.	12615661	34566-0503	0	E	GREEN	73				16	15	14	13	12	11	10	9	8	7	6	5	4	3	2	1
SALEABLE	12672866	34566-0603	0	F	NATURAL																				
SALEABLE	12672872	34566-0703	0	G	BLUE																				
SALEABLE	12672870	34566-0803	0	H	ST GRY	80	79	78	77	76	75	74	73	72	71	70	69	68	67	66	65	64	63	62	61
TOOL DES. REL.	12672868	34566-0903	0	J	BLACK	60	61	62	63	64	65	66	67	68	69	70	71	72	73	74	75	76	77	78	79
TOOL DES. REL.	TBD	34566-1003	0	K	BROWN	40	39	38	37	36	35	34	33	32	31	30	29	28	27	26	25	24	23	22	21
TOOL DES. REL.	TBD	34566-1103	0	L	GREEN	20	19	18	17	16	15	14	13	12	11	10	9	8	7	6	5	4	3	2	1
TOOL DES. REL.	TBD	34566-1203	0	M	NATURAL																				
SALEABLE	12672861	34566-1303	9	A	BLACK																				
SALEABLE	12672863	34566-1403	9	B	ST GRY	72	71	70	69	68	67	66	65	64	63	62	61	60	59	58	57	56	55	54	53
SALEABLE	12672865	34566-1503	9	C	BLUE	52	51	50	49	48	47	46	45	44	43	42	41	40	39	38	37	36	35	34	33
TOOL DES. REL.	12615663	34566-1603	9	D	BROWN	73				32	31	30	29	28	27	26	25	24	23	22	21	20	19	18	17
TOOL DES. REL.	12615664	34566-1703	9	E	GREEN	73				16	15	14	13	12	11	10	9	8	7	6	5	4	3	2	1
SALEABLE	12672867	34566-1803	9	F	NATURAL																				
SALEABLE	12672873	34566-1903	9	G	BLUE																				
SALEABLE	12672871	34566-2003	9	H	ST GRY	80	79	78	77	76	75	74	73	72	71	70	69	68	67	66	65	64	63	62	61
TOOL DES. REL.	12672869	34566-2103	9	J	BLACK	60	61	62	63	64	65	66	67	68	69	70	71	72	73	74	75	76	77	78	79
TOOL DES. REL.	TBD	34566-2203	9	K	BROWN	40	39	38	37	36	35	34	33	32	31	30	29	28	27	26	25	24	23	22	21
TOOL DES. REL.	TBD	34566-2303	9	L	GREEN	20	19	18	17	16	15	14	13	12	11	10	9	8	7	6	5	4	3	2	1
TOOL DES. REL.	TBD	34566-2403	9	M	NATURAL																				
SALEABLE	12672856	34822-0013	0	A	BLACK	64	63	62	61	60	59	58	57	56	55	54	53	52	51	50	49	66			
						48	47	46	45	44	43	42	41	40	39	38	37	36	35	34	33				
SALEABLE	12672858	34822-0033	0	C	BLUE	65				32	31	30	29	28	27	26	25	24	23	22	21	20	19	18	17
						65				16	15	14	13	12	11	10	9	8	7	6	5	4	3	2	1
SALEABLE	12672857	34822-0023	9	A	BLACK	64	63	62	61	60	59	58	57	56	55	54	53	52	51	50	49	66			
						48	47	46	45	44	43	42	41	40	39	38	37	36	35	34	33				
SALEABLE	12672859	34822-0043	9	C	BLUE	65				32	31	30	29	28	27	26	25	24	23	22	21	20	19	18	17
						65				16	15	14	13	12	11	10	9	8	7	6	5	4	3	2	1

MX123 52/66/73/80-WAY RECEPTACLE ASSY SEALED PIN OUT SHEET

STATUS	GM PART #	HRNS CONN ASSY				TPA	GROMMET CAP																																																																						
		MATERIAL/PART	WIRE DRESS OPTION	KEY OPTION ▽ Fp	COLOR OPTION ▽ Fp	NUMBERS INDICATE CAVITIES OPEN FOR CIRCUITS																																																																							
		NUMBER				▽ Fp																																																																							
TOOL DES. REL.	12672852	160094-0001	0	A	BLACK	<table border="1"> <tr> <td>52</td> <td>14</td><td>13</td><td>12</td><td>11</td><td>10</td><td>9</td><td>8</td><td>7</td><td>6</td><td>5</td><td>4</td><td>3</td> <td>2</td> </tr> <tr> <td></td> <td>26</td><td>25</td><td>24</td><td>23</td><td>22</td><td>21</td><td>20</td><td>19</td><td>18</td><td>17</td><td>16</td><td>15</td> <td></td> </tr> <tr> <td>51</td> <td>38</td><td>37</td><td>36</td><td>35</td><td>34</td><td>33</td><td>32</td><td>31</td><td>30</td><td>29</td><td>28</td><td>27</td> <td>1</td> </tr> <tr> <td></td> <td>50</td><td>49</td><td>48</td><td>47</td><td>46</td><td>45</td><td>44</td><td>43</td><td>42</td><td>41</td><td>40</td><td>39</td> <td></td> </tr> </table>																52	14	13	12	11	10	9	8	7	6	5	4	3	2		26	25	24	23	22	21	20	19	18	17	16	15		51	38	37	36	35	34	33	32	31	30	29	28	27	1		50	49	48	47	46	45	44	43	42	41	40	39	
52	14	13	12	11	10																	9	8	7	6	5	4	3	2																																																
	26	25	24	23	22																	21	20	19	18	17	16	15																																																	
51	38	37	36	35	34																	33	32	31	30	29	28	27	1																																																
	50	49	48	47	46																	45	44	43	42	41	40	39																																																	
TOOL DES. REL.	N/A	160094-0002	0	B	ST GRY																																																																								
TOOL DES. REL.	12672854	160094-0003	0	C	BLUE																																																																								
TOOL DES. REL.	N/A	160094-0004	0	D	BROWN																																																																								
TOOL DES. REL.	N/A	160094-0005	0	E	GREEN																																																																								
TOOL DES. REL.	N/A	160094-0006	0	F	NATURAL																																																																								
TOOL DES. REL.	12672853	160094-0013	9	A	BLACK	<table border="1"> <tr> <td>52</td> <td>14</td><td>13</td><td>12</td><td>11</td><td>10</td><td>9</td><td>8</td><td>7</td><td>6</td><td>5</td><td>4</td><td>3</td> <td>2</td> </tr> <tr> <td></td> <td>26</td><td>25</td><td>24</td><td>23</td><td>22</td><td>21</td><td>20</td><td>19</td><td>18</td><td>17</td><td>16</td><td>15</td> <td></td> </tr> <tr> <td>51</td> <td>38</td><td>37</td><td>36</td><td>35</td><td>34</td><td>33</td><td>32</td><td>31</td><td>30</td><td>29</td><td>28</td><td>27</td> <td>1</td> </tr> <tr> <td></td> <td>50</td><td>49</td><td>48</td><td>47</td><td>46</td><td>45</td><td>44</td><td>43</td><td>42</td><td>41</td><td>40</td><td>39</td> <td></td> </tr> </table>																52	14	13	12	11	10	9	8	7	6	5	4	3	2		26	25	24	23	22	21	20	19	18	17	16	15		51	38	37	36	35	34	33	32	31	30	29	28	27	1		50	49	48	47	46	45	44	43	42	41	40	39	
52	14	13	12	11	10																	9	8	7	6	5	4	3	2																																																
	26	25	24	23	22																	21	20	19	18	17	16	15																																																	
51	38	37	36	35	34																	33	32	31	30	29	28	27	1																																																
	50	49	48	47	46																	45	44	43	42	41	40	39																																																	
TOOL DES. REL.	N/A	160094-0014	9	B	ST GRY																																																																								
TOOL DES. REL.	12672855	160094-0015	9	C	BLUE																																																																								
TOOL DES. REL.	N/A	160094-0016	9	D	BROWN																																																																								
TOOL DES. REL.	N/A	160094-0017	9	E	GREEN																																																																								
TOOL DES. REL.	N/A	160094-0018	9	F	NATURAL																																																																								
NA	NA	NA	NA	NA	NA	<table border="1"> <tr> <td colspan="16">73</td> </tr> </table>																73																																																							
73																																																																													
SALEABLE	NOT APPLICABLE	34566-2503	0	A	BLACK	72	71	70	69	68	67	66	65	64	63	62	61	60	59	58	57	56	55	54	53																																																				
									50	49	48	47	46	44	43	42	41	39	38	37	36	35	34	33																																																					
						73																																																																							
											32	31	30	29	27	25	23	21	20	19	18	17	16	15																																																					
												14	13	12	11	9	8	7	6	5	4	3	2	1																																																					
SALEABLE	NOT APPLICABLE	34566-2603	0	B	ST GRY				49	48	47	46	44	43	42	41	39	38	37	36	35	34	33	32																																																					
						73																																																																							
																	7	6	5	4	3	2	1																																																						
SALEABLE	NOT APPLICABLE	34566-2703	0	B	ST GRY				49	48	47	46	44	43	42	41	39	38	37	36	35	34	33	32																																																					
						73																																																																							
																	7	6	5	4	3	2	1																																																						
SALEABLE	TBD	34566-2803	0	H	ST GRY																																																																								
SALEABLE	NOT APPLICABLE	34566-2903	0	A	BLACK	72	71	70	69	68	67	66	65	64	63	62	61	60	59	58	57	56	55	54	53																																																				
						52	51	50	49	48	47	46	44	43	42	41	39	38	37	36	35	34	33	32																																																					
						73																																																																							
											32	31	30	29	27	25	23	21	20	19	18	17	16	15																																																					
												16	15	14	13	12	11	9	8	7	6	5	4	3	2	1																																																			
SALEABLE	NOT APPLICABLE	34566-3003	0	A	BLACK	72	71	70	69	68	67	66	65	64	63	62	61	60	59	58	57	56	55	54	53																																																				
						52	51	50	49	48	47	46	44	43	42	41	40	39	38	37	36	35	34	33																																																					
						73																																																																							
											32	31	30	29	28	27	25	24	23	22	21	20	19	18	17																																																				
												16	15	14	13	12	11	9	8	7	6	5	4	3	2	1																																																			
SALEABLE	NOT APPLICABLE	34566-3103	0	B	ST GRY				49	48	47	46	44	43	42	41	39	38	37	36	35	34	33	32																																																					
						73																																																																							
																	9	8	7	6	5	4	3	2	1																																																				
SALEABLE	NOT APPLICABLE	34566-3203	0	B	ST GRY				50	49	48	47	46	44	43	42	41	39	38	37	36	35	34	33																																																					
						73																																																																							
																	7	6	5	4	3	2	1																																																						
SALEABLE	NOT APPLICABLE	34566-3303	0	B	ST GRY				50	49	48	47	46	44	43	42	41	39	38	37	36	35	34	33																																																					
						73																																																																							
																	7	6	5	4	3	2	1																																																						
SALEABLE	NOT APPLICABLE	34566-3403				SEE 34566-3003																																																																							
SALEABLE	NOT APPLICABLE	34566-3503	0	A	BLACK	72	71	70	69	68	67	66	65	64	63	62	61	60	59	58	57	56	55	54	53																																																				
						52	51	50	49	48	47	46	44	43	42	41	40	39	38	37	36	35	34	33																																																					
						73																																																																							
																	24	23	22	21	20	19	18	17																																																					
													14	13	12	11	9	8	7	6	5	4	3	2	1																																																				

MX123 52/66/73/80-WAY RECEPTACLE ASSY SEALED PIN OUT SHEET

STATUS	GM PART #	HRNS CONN ASSY			TPA	GROMMET CAP																						
		MATERIAL/PART	WIRE DRESS OPTION	KEY OPTION Fp	COLOR OPTION Fp	NUMBERS INDICATE CAVITIES OPEN FOR CIRCUITS																						
		NUMBER				Fp																						
SALEABLE	NOT APPLICABLE	34566-3603	0	B	ST GRY					68				64					59		57		55		53			
									49	48		46							39		37			35			33	
						73				32			29						23		21						18	
SALEABLE	NOT APPLICABLE	34566-3703	0	A	BLACK					68	67	66	65					59					55		53			
									49	48	47			44				39						35			33	
						73							29	28					23									
SALEABLE	NOT APPLICABLE	34566-3803	0	A	BLACK	72	71		69	68	67	66		64	63	62			59				56			53		
									50		48		46		44	43	42			39				36	35		33	
						73				32			30	29			27			23					20			17
SALEABLE	NOT APPLICABLE	34566-3903	0	B	ST GRY									65					59		57		55		53			
									49	48		46		44				39		37				35			33	
						73							29	28					24	23		21						
SALEABLE	NOT APPLICABLE	34566-4003	0	B	ST GRY						67	66		64	63			59		57		55			53			
									50	49	48				43			39		37				35			33	
						73				32			29			27			24	23		21						18
SALEABLE	NOT APPLICABLE	34566-4103	0	A	BLACK	72	71		69	68	67	66		64	63	62		60	59					35		33		
						52			49	48		46	45	44	43	42		40	39									33
						73				32			29			27	26		24	23								
SALEABLE	NOT APPLICABLE	34566-4203	0	B	ST GRY									64				59		57		55			53			
									50	49	48		46					39		37				35			33	
						73				32			29					24	23		21							18
SALEABLE	NOT APPLICABLE	34566-4303	0	A	BLACK				70	69	68	67		65	64	63		61	59	58	57	56				53		
									50	49	48	47					41			38	37	36			34	33		
						73				32	31	30	29	28	27			24	23				20	19	18			
SALEABLE	NOT APPLICABLE	34566-4403	0	A	BLACK	72	71		70	69	68	67	66	65	64	63		61	59	58	57	56				53		
									50	49	48	47					41			38	37	36			34	33		
						73				32	31	30	29	28	27			24	23				20	19	18			
SALEABLE	NOT APPLICABLE	34566-4503	0	H	ST GRY		79	78	77	76	75	74	73	72	71	70	69	68		66	65	64	63			61		
						60	59	58	57	56				53			50							44	43			41
						40	39	38	37		35	34	33	32			30	29			27	26			24	23	22	21
SALEABLE	NOT APPLICABLE	34566-4603	0	H	ST GRY		79	78	77	76	75	74	73	72	71	70	69	68		66	65	64	63			61		
						60	59	58	57	56				53			50							44	43			41
						40	39	38	37		35	34	33	32			30	29			27	26					22	21
SALEABLE	NOT APPLICABLE	34566-4703	0	B	ST GRY						67	66	65	64					59	58	57		55			53		
									49	48	47			44				39	38	37			35					33
						73							29						23	22	21							
SALEABLE	NOT APPLICABLE	34566-4803	0	A	BLACK	72	71		69	68	67	66		64	63	62	61		59							53		
										48				44		42	41		39						35			33
						73				32			29			27		25		23								
SALEABLE	NOT APPLICABLE	34566-4903	0	A	BLACK	72	71		70	69	68		66	65	64	63	62	61		59	58	57	56	55		53		
						52	51	50	49		47			44	43		41			38	37	36	35	34			33	
						73				32	31	30	29	28	27			24	23					20	19	18	17	
SALEABLE	NOT APPLICABLE	34566-5003	0	H	ST GRY		79	78	77	76	75	74	73	72	71	70	69	68		66	65	64	63			61		
						60	59	58	57	56				53	52		50						44	43			41	
						40	39	38	37		35	34	33	32			30	29			27	26					22	21
SALEABLE	NOT APPLICABLE	34566-5003	0	H	ST GRY		79	78	77	76	75	74	73	72	71	70	69	68		66	65	64	63			61		
						60	59	58	57	56				53	52		50						44	43			41	
						40	39	38	37		35	34	33	32			30	29			27	26					22	21

MX123 52/66/73/80-WAY RECEPTACLE ASSY SEALED PIN OUT SHEET

STATUS	GM PART #	HRNS CONN ASSY			TPA	GROMMET CAP																								
		MATERIAL/PART	WIRE DRESS OPTION	KEY OPTION Fp	COLOR OPTION Fp	NUMBERS INDICATE CAVITIES OPEN FOR CIRCUITS																								
		NUMBER				Fp																								
SALEABLE	NOT APPLICABLE	34566-8103	0	H	ST GRY			78							72	71	70	69	68		66	65	64	63		61				
						60	59	58	57	56			53	52		50										44	43		41	
						40			37		35	34	33	32		30	29						27	26			24		22	21
						20	19	18	17	16				13	12								8		6	5		3	2	
SALEABLE	NOT APPLICABLE	34566-8203	0	A	BLACK						67	66								58		56	55	54						
											47			44	43	42	41		39				37	36		34				
						73					31	30			27		25	24						21	20	19	18			
													13										6	5	4	3			1	
SALEABLE	NOT APPLICABLE	34566-8303	0	A	BLACK	72	71		69	68	67	66		64	63	62				59	58	57	56		54	53				
						52	51	50	49	48	47	46		44	43	42				39	38	37	36	35	34	33				
						73					32	31	30	29		27			24	23	22	21	20	19			17			
											15	14	13	12	11		9	8	7	6	5	4	3	2	1					
SALEABLE	NOT APPLICABLE	34566-8403	0	B	ST GRY								65	64					59		57		55		53					
								50	49	48		46							39		37		35		33					
						73					32			29					24	23		21								
													15							7	6	5	4	3						
SALEABLE	NOT APPLICABLE	34566-8503	0	B	ST GRY	72	71	70	69	68	67	66	65	64	63	62			60	59				55	54	53				
						52			49	48				44	43	42				39					35	34	33			
						73					32			29		27			24	23					19	18	17			
													13	12	11		9	8	7	6	5	4	3	2	1					
SALEABLE	NOT APPLICABLE	34566-8603	0	A	BLACK				69	68		66		64					59		57		55		53					
									49	48		46		44					39	38	37		35		33					
						73							29	28					23		21					18	17			
														12	11	10				7										
SALEABLE	NOT APPLICABLE	34566-8703	0	B	ST GRY				69	68		66		64					59		57		55		53					
								50	49	48	47		44						39		37		35		33					
						73							29	28					23		21					17				
													15			12	11	10			7	6	5	4	3					
SALEABLE	NOT APPLICABLE	34566-8803	0	B	ST GRY					68	67	66	65					59	58	57				54	53					
							51	50	49	48		46	45		43	42		40	39	38	37						33			
						73					32	31	30				26		24	23	22		20							
											16			13			10	9	8	7	6	5	4							
SALEABLE	NOT APPLICABLE	34566-8903	0	H	ST GRY			78							71	70	69	68	67	66	65	64	63		61					
								58	57	56			53	52		51	50								44	43		41		
						40			37		35	34	33	32		30	29					27	26					22	21	
						20	19	18	17	16		14		12		10	9	8	7	6	5					3	2	1		
SALEABLE	NOT APPLICABLE	34566-9003	0	B	ST GRY				69	68		66		64					59		57		55		53					
									49	48		46		44					39		37		35		33					
						73							29	28					23		21					18				
																11	10													
SALEABLE	NOT APPLICABLE	34566-9103	0	A	BLACK					68			65		63		61		59	58		56			53					
						52	51	50			47						41			38	37	36	35	34	33					
						73					32	31	30	29	28	27		25	24	23	22	21	20	19	18	17				
											16	15	14	13	12	11	10	9											1	
SALEABLE	NOT APPLICABLE	34566-9203	0	A	BLACK	72	71	70	69	68	67	66		64	63	62			60	59				55	54	53				
						52			49	48				44	43	42			40	39	38				35	34	33			
						73							30	29	28	27			24	23					19	18	17			
											16			13	12	11		9	8	7	6	5	4	3	2	1				
SALEABLE	NOT APPLICABLE	34566-9303	0	A	BLACK	72	71		69	68	67	66		64	63	62				59	58	57	56	55	54	53				
						52	51	50	49	48	47	46		44	43	42				39	38	37	36	35	34	33				
						73					32	31	30	29		27			24	23	22	21	20	19			17			
											15	14	13	12	11		9	8	7	6	5	4	3	2	1					
SALEABLE	NOT APPLICABLE	34566-9403	0	B	ST GRY					68	67	66	65			43	42	41	40	39	38	37		35		33				
							51	50	49	48		46	45																	
						73					32	31	30					26		24	23	22		20						
											16			13			10	9	8	7	6	5	4							
SALEABLE	NOT APPLICABLE	34566-9503	0	A	BLACK	72	71	70	69	68			65	64	63			61		59	58	57	56							
						52	51		49		47							41			38	37	36		34	33				
						73					32	31	30	29	28	27			24	23					20	19	18	17		
											16			13	12	11	10	9											1	

MX123 52/66/73/80-WAY RECEPTACLE ASSY SEALED PIN OUT SHEET

STATUS	GM PART #	HRNS CONN ASSY			TPA	GROMMET CAP																					
		MATERIAL/PART	WIRE DRESS OPTION	KEY OPTION Fp	COLOR OPTION Fp	NUMBERS INDICATE CAVITIES OPEN FOR CIRCUITS																					
		NUMBER				Fp																					
SALEABLE	NOT APPLICABLE	34566-9603	0	A	BLACK	52	71	70	69	68		66	65	64	63		61		59	58	57	56					
								50	49		47							41				38	37	36	35	34	33
						73			32	31	30	29	28	27				24	23					20	19	18	17
SALEABLE	NOT APPLICABLE	34566-9703	0	A	BLACK	72	71	70	69	68			65	64	63		61		59		57	56					
						52	51	50	49		47						41				38	37	36		34	33	
						73			32	31	30	29	28	27				24	23					20	19	18	
SALEABLE	NOT APPLICABLE	34566-9803	0	A	BLACK	72	71	70	69	68			65	64	63		61		59		57	56					
						52	51	50	49		47						41				38	37	36		34	33	
						73			32	31	30	29	28	27				24	23					20	19	18	
SALEABLE	NOT APPLICABLE	34566-9903	0	A	BLACK		71		69	68			65	64	63		61		59	58	57	56					
						52		50	49		47						41				38	37	36		34	33	
						73			32	31	30	29	28	27				24	23					20	19	18	17
SALEABLE	NOT APPLICABLE	34566-1013	0	A	BLACK		71		69	68			65	64	63		61		59	58	57	56					
						52		50	49		47						41				38	37	36		34	33	
						73			32	31	30	29	28	27				24	23					20	19	18	17
SALEABLE	NOT APPLICABLE	34566-1023	0	A	BLACK			70		68			66	65					58	57		55	54				
								50	49		47			44	43	42	41		39		37		35				
						73			32		30			27		25	24				21	20	19	18	17		
SALEABLE	NOT APPLICABLE	34566-1033	0	A	BLACK			70		67	66	65						58	57		55	54					
								50	49		47			44	43	42	41		39		37		35				
						73			32		30			27		26	25	24			21	20	19	18	17		
SALEABLE	NOT APPLICABLE	34566-1043	0	B	ST GRAY		71	70		68			66	65				59	58	57				54	53		
							51	50	49	48		46	45		43		41	40	39	38	37	36	35				
						73			32	31	30						24	23	22		20						
SALEABLE	NOT APPLICABLE	34566-1053	0	H	ST GRAY		79	78	77	76	75	74	73	72	71	70	69	68		66	65	64	63			61	
						60	59	58	57	56			53	52		50							44	43			41
						40	39	38	37		35	34	33	32		30	29		27	26							22
SALEABLE	NOT APPLICABLE	34566-1063	0	B	ST GRAY								65				60	59		57	56	55		53			
								49	48	47			44			40	39		37	36	35						
						73						29	28				24	23		21							2
SALEABLE	NOT APPLICABLE	34566-1073	0	A	BLACK	72	71	70	69	68	67	66	65	64	63		61		59	58	57	56			54		
								50	49	48	47					42	41			38	37	36		34	33		
						73			32	31	30	29	28	27	26		24	23			20	19	18				
SALEABLE	NOT APPLICABLE	34566-1083	0	B	ST GRAY					68	67	66	65	64				59	58	57		55	54	53			
							51	50	49	48		46	45		43	42	41	40	39	38	37		35			33	
						73			32	31	30			26		24	23	22		20							
SALEABLE	NOT APPLICABLE	34566-1093	0	A	BLACK			70		68	67	66						58		56	55	54					
								49		47			44	43	42	41		39		37	36		34				
						73				31	30			27		25	24			21	20	19	18				
SALEABLE	NOT APPLICABLE	34566-1123	0	H	ST GRAY			78					72	71	70	69	68	67	66	65	64	63			61		
								58	57	56			53	52	51	50						44	43			41	
						40			37		35	34	33	32		30	29		27	26						22	21
SALEABLE	NOT APPLICABLE	34566-1133	0	A	BLACK			70		68	67	66				61		58	57		55	54					
								49		47		45	44	43	42	41		39		37		34					
						73			32		30			27		25	24			21	20	19	18				

MX123 52/66/73/80-WAY RECEPTACLE ASSY SEALED PIN OUT SHEET

STATUS	GM PART #	HRNS CONN ASSY			TPA	GROMMET CAP																						
		MATERIAL/PART	WIRE DRESS OPTION	KEY OPTION Fp	COLOR OPTION Fp	NUMBERS INDICATE CAVITIES OPEN FOR CIRCUITS																						
		NUMBER				Fp																						
SALEABLE	NOT APPLICABLE	34566-1143	0	A	BLACK	52		50		68			65		63		61		59	58		56			53			
										47																		
						73			32	31	30	29	28	27		25	24	23	22	21	20	19	18	17				1
SALEABLE	NOT APPLICABLE	34566-1153	0	A	BLACK			70				67	66	65						58	57		55					
									49					44	43	42	41		39		37							
						73			32		30				27		25	24	23		21	20	19	18				1
SALEABLE	NOT APPLICABLE	34566-1163	0	H	ST GRAY			78						72	71	70	69	68		66	65	64	63		61			
						60	59	58	57	56			53	52		50								44	43		41	
						40			37		35	34		32		30	29		27	26							22	21
SALEABLE	NOT APPLICABLE	34566-1173	0	A	BLACK	20	19	18	17	16			13	12				8		6	5		3	2				
						72	71		69	68			65	64	63	62	61	60	59	58		56		54				
						52		50	49	48	47		45			42	41		38	37	36		34	33				
SALEABLE	NOT APPLICABLE	34566-1183	0	B	ST GRAY	73			32	31	30	29	28	27	26		24	23		20	19	18	17					
SALEABLE	NOT APPLICABLE	34566-1193	0	A	BLACK				49	48	47			44		42				39		37		35				
						73							29	28					23		21							
SALEABLE	NOT APPLICABLE	34566-1213	0	A	BLACK	72	71		69	68	67	66		64	63	62		60	59					54	53			
						52			49	48		46		44	43	42			39							34	33	
						73			32			29		27				23										17
SALEABLE	NOT APPLICABLE	34566-1223	0	B	ST GRAY	72	71		69	68	67	66		64	63	62		59						54	53			
						52			49	48		46		44	43	42			39							34	33	
						73			32			29		27				23										17
SALEABLE	NOT APPLICABLE	34566-1233	0	B	ST GRAY																							
						73																						
SALEABLE	NOT APPLICABLE	34566-1243	0	B	ST GRAY																							
						73																						
SALEABLE	NOT APPLICABLE	34566-1253	9	B	ST GRAY																							
						73																						
SALEABLE	NOT APPLICABLE	34566-1263	9	A	BLACK	NUMBERS IN BOLD MUST USE SAE WIRE MEETING SAE J1128, WIRE SIZE (NO.20) OR (NO.18 MAX. O.D. OF 2.06 MM) PER G.M. DRAWING NUMBER 12582682.																						
						72	71		69	68	67	66		64	63	62		59				56				53		
								50		48		46		44	43	42			39				36	35				33
SALEABLE	NOT APPLICABLE	34566-1273	0	A	BLACK	73			32		30	29		27		24	23		20				17					
SALEABLE	NOT APPLICABLE	34566-1283	0	A	BLACK			70	69	68			65	64	63		61		59	58	57	56						
						52		50	49	48	47						41		38	37	36		34	33				
						73			32	31	30	29	28	27		24	23											1

MX123 52/66/73/80-WAY RECEPTACLE ASSY SEALED PIN OUT SHEET

STATUS	GM PART #	HRNS CONN ASSY			TPA	GROMMET CAP																						
		MATERIAL/PART	WIRE DRESS OPTION	KEY OPTION Fp	COLOR OPTION Fp	NUMBERS INDICATE CAVITIES OPEN FOR CIRCUITS																						
		NUMBER				Fp																						
SALEABLE	NOT APPLICABLE	34566-1293	0	A	BLACK	52		50		68			65		63		61		59	58		56			34	33		
						73				32	31	30	29	28	27			24	23					20	19	18	17	
						73				16				13	12	11	10	9										
SALEABLE	NOT APPLICABLE	34566-1313	0	H	ST GRY	80		78						72	71	70	69	68			66	65	64	63		61		
								58	57	56	55	54	53										46		44	43	42	
						40			37		35				32			30	29				27	26				
SALEABLE	NOT APPLICABLE	34566-1323	0	A	BLACK	72	71	70	69	68	67	66	65	64	63	62		60	59	58	57	56	55	54	53			
						52	51	50	49	48	47	46	45	44	43	42	41	40	39	38	37	36	35	34	33			
						73				32	31	30	29	28	27			25	24	23	22	21	20	19	18	17		
SALEABLE	NOT APPLICABLE	34566-1333	0	A	BLACK			70	69	68			65	64					59	58		56						
						52		50	49		47						41					38	37	36			34	
						73				32	31	30	29	28	27					23					20	19	18	17
SALEABLE	NOT APPLICABLE	34566-1343	0	A	BLACK																							
								70	69	68																		
						73				32	31	30	29	28	27					23					20	19	18	17
SALEABLE	NOT APPLICABLE	34566-1353	0	H	ST GRY	72	71		69		67		65	64	63				59	58	57	56						
								50	49	48	47						41				38	37	36			34		
						73				32	31	30	29	28	27					23					20	19	18	17
SALEABLE	NOT APPLICABLE	34566-1363	0	A	BLACK																							
						73				32				29					24	23								
SALEABLE	NOT APPLICABLE	34566-1373	0	B	ST GRY							66	65			62			59		57		55		53			
										48		46				42			39		37		35		33			
						73							29			26			23		21							
SALEABLE	NOT APPLICABLE	34566-1383	0	B	ST GRY																							
									49	48	47	46									59	58	57		55		53	
						73							29						23	22	21							
SALEABLE	NOT APPLICABLE	34566-1393	0	A	BLACK			70			67	66				61			58	57		55	54					
											47		45	44	43	42	41		39		37				34			
						73				32		30				27		25	24			21	20	19	18			
SALEABLE	NOT APPLICABLE	34566-1423	0	B	ST GRY					68	67	66	65				61	60	59	58	57			54	53			
							51	50	49	48	47	46	45		43	42	41	40	39	38	37		35	34	33			
						73				32	31	30				26		24	23	22	21	20						
SALEABLE	NOT APPLICABLE	34566-1433	0	B	ST GRY							66		64					59		57		55		53			
									49	48		46							39		37		35		33			
						73				32			29						23		21				18	17		
SALEABLE	NOT APPLICABLE	34566-1443	0	B	ST GRY				69	68		66						59		57		55		53				
									49	48		46							39		37		35		33			
						73							29						23		21							
SALEABLE	NOT APPLICABLE	34566-1453	0	B	ST GRY							66	65	64		62			59		57		55		53			
									49	48	47			44		42			39		37		35		33			
						73							29	28		26			23		21							
SALEABLE	NOT APPLICABLE	34566-1463	0	A	BLACK				69	68			65	64	63	62	61	60	59	58		56			34	33		
						52		50	49	48	47		45				41			38	37	36						
						73				32	31	30	29	28	27			24	23					20	19	18	17	

MX123 52/66/73/80-WAY RECEPTACLE ASSY SEALED PIN OUT SHEET

STATUS	GM PART #	HRNS CONN ASSY			TPA	GROMMET CAP																					
		MATERIAL/PART	WIRE DRESS OPTION	KEY OPTION Fp	COLOR OPTION Fp	NUMBERS INDICATE CAVITIES OPEN FOR CIRCUITS																					
		NUMBER				Fp																					
SALEABLE	NOT APPLICABLE	34566-1473	0	A	BLACK	72	71		69	68	67	66		64	63	62			59					54	53		
						52			49	48		46		44	43	42			39							34	33
						73				32			29		27			24	23								
SALEABLE	NOT APPLICABLE	34566-1483	0	A	BLACK	72	71		69	68			65	64	63		61		59	58		56					
						52		50	49		47					41			38	37	36				34	33	
						73				32	31	30	29	28	27			24	23					20	19	18	17
SALEABLE	NOT APPLICABLE	34566-1493	0	B	ST GRAY				68								59	58	57		55			53			
									49	48		46						39	38	37		35				33	
						73							29					23	22	21						18	17
SALEABLE	NOT APPLICABLE	34566-1513	0	B	ST GRAY								65				59		57		55			53			
									49	48		46					39	37	36		35					33	
						73							29					23		21							17
SALEABLE	NOT APPLICABLE	34566-1523	0	A	BLACK			70	69	68			65	64			59	58		56			54				
						52		50	49		47				42	41		38	37	36				34			
						73				32	31	30	29	28	27	26			23				20	19	18	17	
SALEABLE	NOT APPLICABLE	34566-1533	0	A	BLACK																						
						52	51	50	49		47					41			38	37	36				34	33	
						73				32	31	30	29	28	27			24	23						3	2	1
SALEABLE	NOT APPLICABLE	34566-1543	0	B	ST GRAY				69	68		66					59		57		55			53			
									49	48		46					39		37		35					33	
						73							29					23		21							
SALEABLE	12582677	34566-1553	0	A	BLACK																						
						73																					
TOOL DESIGN SALEABLE	NOT APPLICABLE	34566-1563	9	A	BLACK																						
73																											
TOOL DESIGN SALEABLE	NOT APPLICABLE	34566-1573	9	H	ST GRAY																						
73																											
SALEABLE	NOT APPLICABLE	34566-1583	0	A	BLACK			70			67	66	65			61		58	57		55	54					
									49		47		45	44	43	42	41		39		37				34		
						73				32		30			27		25	24			21	20	19	18	17		
SALEABLE	NOT APPLICABLE	34566-1593	0	B	ST GRAY					67		65			61	60	59	58	57			54	53				
							51	50	49	48	47	46	45		43	42		40	39		37				34	33	
						73				32	31	30				26		24	23	22	21	20					
SALEABLE	NOT APPLICABLE	34566-1613	0	H	ST GRAY		79	78	77	76	75	74	73	72	71	70	69	68		66	65	64	63		61		
						60	59	58	57	56			53			50							44	43		41	
						40	39	38	37		35	34	33	32		30	29		27	26			24	23	22	21	
SALEABLE	NOT APPLICABLE	34566-1623	0	B	ST GRAY							66	65			62		59		57		55		53			
										48	47				42		39		37		35					33	
						73							29			26		23		21							17
SALEABLE	NOT APPLICABLE	34566-1633	0	B	ST GRAY				69	68		66					59		57		55			53			
								50		48	47						39		37		35					33	
						73							29			12	11	10			7	6	5	4	3		17

MX123 52/66/73/80-WAY RECEPTACLE ASSY SEALED PIN OUT SHEET

STATUS	GM PART #	HRNS CONN ASSY			TPA	GROMMET CAP																									
		MATERIAL/PART	WIRE DRESS OPTION	KEY OPTION Fp	COLOR OPTION Fp	NUMBERS INDICATE CAVITIES OPEN FOR CIRCUITS																									
		NUMBER				Fp																									
SALEABLE	NOT APPLICABLE	34566-1643	0	B	ST GRAY				69	68		66								59		57		55		53					
								50		48		46										39		37		35		33			
						73								29									23		21				17		
SALEABLE	NOT APPLICABLE	34566-1653	0	B	ST GRAY							66								59		57		55		53					
								50		48		46										39		37		35		33			
						73								29									23		21				17		
SALEABLE	NOT APPLICABLE	34566-1663	0	B	ST GRAY							66								59		57		55		53					
								50		48		46										39		37		35		33			
						73								29									23		21				17		
SALEABLE	NOT APPLICABLE	34566-1673	0	A	BLACK	72	71	70	69	68	67	66	65	64	63	62		60	59						55	54	53				
						52			49	48			45	44	43	42	41	40	39								35	34	33		
						73								29									25	24	23				19	18	17
SALEABLE	NOT APPLICABLE	34566-1683	0	B	ST GRAY							67	66			63				59	58	57	56	55		53					
								50	49	48												39	38	37	36	35		33			
						73								29									23	22	21						
SALEABLE	NOT APPLICABLE	34566-1693	0	B	ST GRAY							66		64						59		57		55		53					
								49	48		46											39		37		35		33			
						73								29									23		21				17		
SALEABLE	NOT APPLICABLE	34566-1713	0	B	ST GRAY		71	70		68		66	65	64	63			60	59	58	57	56	55	54	53						
							51	50	49	48		46	45		43		41	40	39	38	37	36	35				33				
						73								32	31	30							24	23	22		20	19			
SALEABLE	NOT APPLICABLE	34566-1723	0	B	ST GRAY		71	70		68		66	65					60	59	58	57				54	53					
							51	50	49	48		46	45		43		41	40	39	38	37	36	35				33				
						73								32	31	30							24	23	22		20				
SALEABLE	NOT APPLICABLE	34566-1733	0	A	BLACK			70		68	67	66	65							58	57			55							
								49	48		47			44	43	42	41		39							37	35				
						73								32		30							27		25	24		21	20	19	18
SALEABLE	NOT APPLICABLE	34566-1743	0	A	BLACK			70		67	66	65								58	57			55							
								49	48		47			44	43	42	41		39							37	35				
						73								32		30							27		25	24		21	20	19	18
SALEABLE	NOT APPLICABLE	34566-1753	0	A	BLACK			70		67	66	65									58	57			55						
								49	48		47			44	43	42	41		39							37	35				
						73								32									27		25	24		21	20	19	18
SALEABLE	NOT APPLICABLE	34566-1763	0	B	ST GRAY					67		65						61	60	59	58	57			54	53					
							51	50	49	48	47	46	45		43				40	39						37		34	33		
						73								32	31	30							26		24	23	22	21	20		
SALEABLE	NOT APPLICABLE	34566-1773	0	C	BLUE	72		70				67	66			63	62			59		57				53					
						52	51					46		44		42		40	39									34	33		
						73								30									27	26	25			22	21	20	
SALEABLE	NOT APPLICABLE	34566-1783	0	C	BLUE			70				67	66			63	62			59		57				53					
						52	51					46		44		42		40	39									34	33		
						73								30									26	25			22	21	20		
SALEABLE	NOT APPLICABLE	34566-1793	0	A	BLACK				69																	53					
						52	51		49					44	43	42	41										37	36	35	34	33
						73								32			29	28	27	26									19	18	

MX123 52/66/73/80-WAY RECEPTACLE ASSY SEALED PIN OUT SHEET

STATUS	GM PART #	HRNS CONN ASSY			TPA	GROMMET CAP																				
		MATERIAL/PART	WIRE DRESS OPTION	KEY OPTION Fp	COLOR OPTION Fp	NUMBERS INDICATE CAVITIES OPEN FOR CIRCUITS																				
		NUMBER				Fp																				
SALEABLE	NOT APPLICABLE	34566-1813	0	B	ST GRAY	72	71	70		68	67	66				62	61	60	59	58	57	56	55	54	53	
						52	51	50		48	47	46				42	41	40	39	38	37	36	35	34	33	
						73				32	31	30	29	28	27	26	25	24	23							
SALEABLE	NOT APPLICABLE	34566-1823	0	A	BLACK	72	71	70	69	68		66	65	64			61		59	58		56		54	53	
						52		50	49		47					42	41			38	37	36		34	33	
						73				32	31	30	29	28	27	26		24	23	22	21	20	19	18	17	
SALEABLE	NOT APPLICABLE	34566-1833	0	A	BLACK					68		65		63		61		59	58		56					
						52		50			47					41			38	37	36		34	33		
						73				32	31	30	29	28	27		25	24	23			20	19	18	17	
SALEABLE	NOT APPLICABLE	34566-1843	0	A	BLACK					68		65		63		61		59	58		56					
						52		50			47					41			38	37	36		34	33		
						73				32	31	30	29	28	27		25	24	23			20	19	18	17	
SALEABLE	NOT APPLICABLE	34566-1853	0	A	BLACK			70	69	68	67		65		63		61	60			57	56	55	54	53	
						52		50	49	48	47			44	43		41	40			37	36	35	34	33	
						73						30	29	28			25	24			21	20	19	18	17	
SALEABLE	NOT APPLICABLE	34566-1863	0	B	ST GRAY					68	67		65	64	63											
												46	45		43											
						73				32		30	29	28	27											
SALEABLE	NOT APPLICABLE	34566-1873	0	C	BLUE	72		70			67	66			63	62			59		57				53	
						52	51					46		44		42		40	39						34	33
						73				32		30			27	26	25			22	21	20				
SALEABLE	NOT APPLICABLE	34566-1883	0	A	BLACK			70		68	67	66	65						58	57		55				
									49		47			44	43	42	41	40	39		37		35			
						73				32		30			27		25	24			21	20	19	18	17	
SALEABLE	NOT APPLICABLE	34566-1893	0	C	BLUE										63											
						52	51	70				46		44		42		40	39						34	33
						73				32		30			27	26	25			22	21	20				
SALEABLE	NOT APPLICABLE	34566-1913	0	B	ST GRAY			70		68		66					60	59					55	54	53	
						52		50		48		46					40	39						35	34	33
						73				32	31	30	29	28	27	26	25	24								
SALEABLE	NOT APPLICABLE	34566-1923	0	A	BLACK				69						63					58		56	55	54	53	
						52	51		49					44	43	42	41						36	35	34	33
						73				32				28		26								19	18	
SALEABLE	NOT APPLICABLE	34566-1933	0	A	BLACK			70			67	66	65						58	57		55				
									49		47			44	43	42	41	40	39		37		35			
						73				32		30			27		25	24			21	20	19	18	17	
SALEABLE	NOT APPLICABLE	34566-1943	0	A	BLACK			70			67	66	65						58	57		55				
							51		49		47			44	43	42	41	40	39		37		35			
						73				32		30			27		25	24			21	20	19	18	17	
SALEABLE	NOT APPLICABLE	34566-1953	0	C	BLUE										63											
						52	51	70		48	47	46		44		42		40	39						34	33
						73						30				26	25			22	21	20				
SALEABLE	NOT APPLICABLE	34566-1963	0	C	BLUE										63											
						52	51	70				46		44		42		40	39						34	33
						73						30				26	25			22	21	20				

MX123 52/66/73/80-WAY RECEPTACLE ASSY SEALED PIN OUT SHEET

STATUS	GM PART #	HRNS CONN ASSY			TPA	GROMMET CAP																						
		MATERIAL/PART	WIRE DRESS OPTION	KEY OPTION Fp	COLOR OPTION Fp	NUMBERS INDICATE CAVITIES OPEN FOR CIRCUITS																						
		NUMBER				Fp																						
SALEABLE	NOT APPLICABLE	34566-1973	0	A	BLACK	52	51		69														56	55	54	53		
									49						44	63	42	41							36	35	34	33
						73				32				28		26			23					21			19	18
SALEABLE	NOT APPLICABLE	34566-1983	0	B	ST GRAY																							
						73																						
SALEABLE	NOT APPLICABLE	34566-1993	0	C	BLUE																							
						73																						
SALEABLE	NOT APPLICABLE	34566-2013	0	A	BLACK		71	70					65					60	59	58	57				54	53		
							51	50	49	48		46	45		43		41	40	39		37	36	35					33
						73				32	31	30						24	23	22		20						
SALEABLE	NOT APPLICABLE	34566-2023	0	A	BLACK			70		68	67	66	65							58	57				55			
									49		47			44	43	42	41		39		37		35					
						73				32		30				27		25	24			21	20	19	18	17		
SALEABLE	NOT APPLICABLE	34566-2033	0	A	BLACK		71	70					65	64				60	59	58	57				54	53		
							51	50	49	48		46	45		43		41	40	39		37	36	35					33
						73				32	31	30						24	23	22		20						
SALEABLE	NOT APPLICABLE	34566-2043	0	A	BLACK			70			67	66	65						58	57				55				
									49		47			44	43	42	41		39		37		35					
						73				32		30				27		25	24			21	20	19	18	17		
SALEABLE	NOT APPLICABLE	34566-2053	0	B	ST GRAY			70		68	67	66	65						58	57				55				
									49		47			44	43	42	41		39		37		35					
						73				32		30				27		25	24	23		21	20	19	18			
SALEABLE	NOT APPLICABLE	34566-2063	0	H	ST GRAY			78						72	71	70	69	68		66	65	64	63		61			
								58	57	56			53	52		50						44	43				41	
						40			37		35	34			32		30	29		27	26						22	21
SALEABLE	NOT APPLICABLE	34566-2073	0	H	ST GRAY			78						72	71	70	69	68		66	65	64	63		61			
								58	57	56			53	52		50						44	43				41	
						40			37		35	34			32		30	29		27	26						22	21
SALEABLE	NOT APPLICABLE	34566-2083	0	H	ST GRAY			78						72	71	70	69	68	67	66	65	64	63		61			
								58	57	56			53	52	51	50						44	43				41	
						40			37		35	34			32		30	29		27	26						22	21
SALEABLE	NOT APPLICABLE	34566-2093	0	A	BLACK					68			65		63		61		59	58			56					
								50			47					41			38	37	36			34	33			
						73				32	31	30	29	28	27		25	24	23			20	19	18	17			
SALEABLE	NOT APPLICABLE	34566-2113	0	H	ST GRAY		79	78	77	76	75	74	73	72	71	70	69	68		66	65	64	63		61			
							60	59	58	57	56	55		53	52		50					44	43	42	41			
						40	39	38	37		35	34	33	32		30	29		27	26							22	21
SALEABLE	NOT APPLICABLE	34566-2123	0	H	ST GRAY			79	78	77	76	75	74	73	72	71	70	69	68		66	65	64	63		61		
								58	57	56	55		53	52		50						44	43	42	41			
						40	39	38	37		35	34	33	32		30	29		27	26							22	21
SALEABLE	NOT APPLICABLE	34566-2133	0	B	ST GRAY		71	70					65	64				60	59	58	57			55	54	53		
							51	50	49	48		46	45		43		41	40	39		37	36	35					33
						73				32	31	30						24	23	22		20						

MX123 52/66/73/80-WAY RECEPTACLE ASSY SEALED PIN OUT SHEET

STATUS	GM PART #	HRNS CONN ASSY			TPA	GROMMET CAP																				
		MATERIAL/PART	WIRE DRESS OPTION	KEY OPTION Fp	COLOR OPTION Fp	NUMBERS INDICATE CAVITIES OPEN FOR CIRCUITS																				
		NUMBER				Fp																				
SALEABLE	NOT APPLICABLE	34566-2143	0	B	ST GRY	71	70					65				60	59	58	57			54	53			
						51	50	49	48		46	45		43		41	40	39		37	36	35			33	
						73			32	31	30					24	23	22		20						
SALEABLE	NOT APPLICABLE	34566-2153	0	A	BLACK	70			68	67	66	65						58	57		55					
								49		47			44	43	42	41		39		37						
						73			32		30			27		25	24	23		21	20	19	18			
SALEABLE	NOT APPLICABLE	34566-2163	0	A	BLACK	70			67	66					61		58		55	54						
								49		47		45	44	43	42	41		39		37						
						73			32					27		24			21	20	19	18	17			
SALEABLE	NOT APPLICABLE	34566-2173	0	A	BLACK	70			67	66	65				61		58		55	54						
								49		47		45	44	43	42	41		39		37						
						73			32		30			27		25	24		21	20	19	18	17			
SALEABLE	NOT APPLICABLE	34566-2183	0	A	BLACK	70			67	66					61		58	57		55	54					
								49		47			44	43	42	41		39		37						
						73			32					27		24			21	20	19	18	17			
SALEABLE	NOT APPLICABLE	34566-2193	0	A	BLACK	70			67	66	65				61		58	57		55	54					
								49		47			44	43	42	41		39		37						
						73			32		30			27		25	24		21	20	19	18	17			
SALEABLE	NOT APPLICABLE	34566-2213	9	H	ST GRY	79	78	77	76	75	74	73	72	71	70	69	68		66	65	64	63		61		
						60	59	58	57	56			53		50							44	43		41	
						40	39	38	37		35	34	33	32		30	29		27	26		24	23	22	21	
SALEABLE	NOT APPLICABLE	34566-2223	0	A	BLACK	72	71	70	69	68	67	66		64	63	62		60	59			55	54	53		
						52			49	48		46		44	43	42		40	39				35	34	33	
						73			32			29		27		24	23				19	18	17			
SALEABLE	NOT APPLICABLE	34566-2233	0	A	BLACK	69								63				58		56	54					
						52	51		49				44	43	42	41					36	35	34	33		
						73			32				28		26						19	18				
SALEABLE	NOT APPLICABLE	34566-2243	0	H	ST GRY	79	78	77	76	75	74	73	72	71	70	69	68		66	65	64	63		61		
						60	59	58	57	56			53	52		50						44	43		41	
						40	39	38	37		35	34	33	32		30	29		27	26		24	23	22	21	
SALEABLE	NOT APPLICABLE	34566-2253	0	A	BLACK	72	71	70	69	68		66	65	64	63		61		59	58		56	54	53		
						52		50	49		47				42	41			38	37	36		34	33		
						73			32	31	30	29	28	27	26		24	23	22	21	20	19	18	17		
SALEABLE	NOT APPLICABLE	34566-2263	0	A	BLACK	69								63				58		56	55	54	53			
						52	51	50	49				44	43	42	41					36	35	34	33		
						73			32				28		26						19	18				
SALEABLE	NOT APPLICABLE	34566-2273	0	A	BLACK	69								63	62	61		58	57	56	55	54	53			
						52	51	50	49				44	43	42	41				37	36	35	34	33		
						73			32			29	28	27	26						19	18				
SALEABLE	NOT APPLICABLE	34566-2283	0	B	ST GRY	49			68	67	66	65	64	63						55						
									48		46	45	44	43												
						73			32		30	29	28	27												
SALEABLE	NOT APPLICABLE	34566-2293	0	C	BLUE	72		70		68		66		63				59		57				53		
						52	51			48	47	46		44		42		40	39					34	33	
						73					30				26	25			22	21						

MX123 52/66/73/80-WAY RECEPTACLE ASSY SEALED PIN OUT SHEET

STATUS	GM PART #	HRNS CONN ASSY			TPA	GROMMET CAP																					
		MATERIAL/PART	WIRE DRESS OPTION	KEY OPTION Fp	COLOR OPTION Fp	NUMBERS INDICATE CAVITIES OPEN FOR CIRCUITS																					
		NUMBER				Fp																					
SALEABLE	NOT APPLICABLE	34566-2473	0	A	BLACK			70		68	67	66	65						58	57		55					
								49			47		30			44	43	42	41		39			35			
						73				32							27		25	24			21	20	19	18	17
SALEABLE	NOT APPLICABLE	34566-2483	0	A	BLACK				69							63	62	61			58	57	56	55	54	53	
						52	51		49					44	43	42	41				37	36	35	34	33		
						73				32			29	28	27	26			23					19	18		
SALEABLE	NOT APPLICABLE	34566-2493 SAME AS P/N 34566-3863	0	B	ST GRN	72	71	70		68	67	66				62	61	60	59	58	57	56	55	54	53		
						52	51	50		48	47	46				42	41	40	39	38	37	36	35	34	33		
						73				32	31	30	29	28	27	26	25	24									
SALEABLE	NOT APPLICABLE	34566-2513	0	C	BLUE	72		70		68	67	66			63	62			59		57				53		
						52	51			48	47	46		44		42		40	39							34	33
						73				32		30			27	26	25				22	21	20				
SALEABLE	NOT APPLICABLE	34566-2523	0	A	BLACK	72	71	70	69	68	67	66	65	64	63	62		60	59				55	54	53		
						52			49	48			45	44	43	42	41	40	39					35	34	33	
						73				32			29	28	27		25	24	23						19	18	17
SALEABLE	NOT APPLICABLE	34566-2533	0	B	ST GRN						67	66	65		63				59	58	57	56	55	54	53		
								50	49	48		46	45		43				39	38	37	36	35	34	33		
						73							29		27				23	22	21						18
SALEABLE	NOT APPLICABLE	34566-2543	0	C	BLUE	72		70				66			63			59		57					53		
						52	51					46		44		42		40	39							34	33
						73				32		30			27	26	25			22	21						
SALEABLE	NOT APPLICABLE	34566-2553	9	B	ST GRN	72	71	70		68	67	66				62	61	60	59	58	57	56	55	54	53		
						52	51	50		48	47	46				42	41	40	39	38	37	36	35	34	33		
						73				32	31	30	29	28	27	26	25	24	23								
SALEABLE	NOT APPLICABLE	34566-2563	9	A	BLACK				69						63	62	61			58	57	56	55	54	53		
						52	51	50	49					44	43	42	41		39			37	36	35	34	33	
						73				32			29	28	27	26									19	18	
SALEABLE	NOT APPLICABLE	34566-2573	9	C	BLUE	72		70			67	66			63	62			59		57				53		
						52	51					46		44		42		40	39							34	33
						73						30			27	26	25			22	21	20					
SALEABLE	NOT APPLICABLE	34566-2583	0	A	BLACK				69						63					58	57	56	55	54	53		
						52	51	50	49					44	43	42	41		39				36	35	34	33	
						73				32				28		26									19	18	
SALEABLE	NOT APPLICABLE	34566-2593	0	C	BLUE	72		70				66			63	62			59		57				53		
						52	51					46		44		42		40	39							34	33
						73				32		30			27	26	25			22	21						
SALEABLE	NOT APPLICABLE	34566-2613	9	C	BLUE	72		70			67	66			63	62			59		57				53		
						52	51					46		44		42		40	39							34	33
						73						30			27	26	25			22	21	20					
SALEABLE	NOT APPLICABLE	34566-2623	0	A	BLACK		71		69	68	67		65	64	63		61		59		57	56					
								50	49		47					41			38	37	36					34	33
						73				32	31	30	29	28	27		24	23					20	19	18		
SALEABLE	NOT APPLICABLE	34566-2633	0	A	BLACK		71		69	68	67		65	64			61		59		57	56					
								50	49		47					41			38	37	36					33	
						73				32	31	30	29	28	27		24	23					20	19	18		

MX123 52/66/73/80-WAY RECEPTACLE ASSY SEALED PIN OUT SHEET

STATUS	GM PART #	HRNS CONN ASSY			TPA	GROMMET CAP																						
		MATERIAL/PART	WIRE DRESS OPTION	KEY OPTION Fp	COLOR OPTION Fp	NUMBERS INDICATE CAVITIES OPEN FOR CIRCUITS																						
		NUMBER				Fp																						
SALEABLE	NOT APPLICABLE	34566-2813	9	B	ST GRAY	72	71	70	69	68	67	66	65	64		62	61	60	59	58	57	56	55	54				
						52	51	50	49	48		46		44				40				37	36					
						73				32	31	30	29	28	27		25	24					21	20			18	
SALEABLE	NOT APPLICABLE	34566-2823	0	A	BLACK						67	66																
																	41											
						73				32	31	30	29		27		25				22	21			19	18	17	
SALEABLE	NOT APPLICABLE	34566-2833	0	B	ST GRAY	72	71	70	69	68	67	66	65			61	60				57	56	55	54				
						52	51	50	49	48		46		44				40				37	36					
						73				32	31	30	29	28	27			24				21	20	19	18	17		
SALEABLE	NOT APPLICABLE	34566-2843	0	A	BLACK						67	66																
																	41											
						73				32	31	30	29		27		25			22	21			19	18	17		
SALEABLE	NOT APPLICABLE	34566-2853	0	B	ST GRAY	72	71	70	69	68	67	66	65	64	63		61	60				57	56	55	54			
						52	51	50	49	48		46		44				40				37	36					
						73				32	31	30	29	28	27			24				21	20	19	18	17		
SALEABLE	NOT APPLICABLE	34566-2863	0	A	BLACK	72	71	70	69	68	67	66		64	63	62		60	59				55	54	53			
						52			49	48		46		44	43	42		40	39					35	34	33		
						73				32			29	28	27			24	23					19	18	17		
SALEABLE	NOT APPLICABLE	34566-2873	0	B	ST GRAY						67	66																
						73				32																		
SALEABLE	NOT APPLICABLE	34566-2883	0	A	BLACK	72	71	70	69						63	62	61			58	57	56	55	54	53			
						52	51		49					44	43	42	41					37	36			34		
						73				32			29	28	27	26									19	18		
SALEABLE	NOT APPLICABLE	34566-2893	0	A	BLACK			70	69																			
						52	51		49					44	43	42	41					37	36			34		
						73				32			29	28	27	26									19	18		
SALEABLE	NOT APPLICABLE	34566-2913	0	B	ST GRAY						67	66																
						73				32		30	29	28	27													
SALEABLE	NOT APPLICABLE	34566-2923	0	B	ST GRAY						67	66																
						73				32		30	29	28	27													
SALEABLE	NOT APPLICABLE	34566-2933	0	A	BLACK	72			69		67		65		63		60			57	56			53				
									49		47		44	43		40			37	36	35							
						73				32	31	30	29	28			24						21	20			17	
SALEABLE	NOT APPLICABLE	34566-2943	0	B	ST GRAY					68	67			64	63			59		57								
						73				32		30	29	28	27								21					
SALEABLE	NOT APPLICABLE	34566-2953	0	B	ST GRAY					68	67			64	63			59										
						73				32		30	29	28	27												34	
SALEABLE	NOT APPLICABLE	34566-2963	0	H	ST GRAY		79						74	73	72	71		69	68	67			64		62	61		
							59																				42	41
								38						33							29	28	27			25		

MX123 52/66/73/80-WAY RECEPTACLE ASSY SEALED PIN OUT SHEET

STATUS	GM PART #	HRNS CONN ASSY			TPA	GROMMET CAP																						
		MATERIAL/PART	WIRE DRESS OPTION	KEY OPTION Fp	COLOR OPTION Fp	NUMBERS INDICATE CAVITIES OPEN FOR CIRCUITS																						
		NUMBER				Fp																						
SALEABLE	NOT APPLICABLE	34566-2973	0	G	BLUE	80		78	77		75	74	73	72		70	69		67		65	64	63	62				
						60		58	57		55	54		52	51	50	49		47		45							
						40		38	37					33	32	31				27	26	25	24					
						20		18	17									10	9	8		6	5			3	2	1
SALEABLE	NOT APPLICABLE	34566-9913	0	A	BLACK	72	71			68	67	66	65	64					59									
								50		48	47	46	45					40	39	38								
						73					31	30						25	24		22	21	20				17	
												14						9	7	6	5	4				2	1	
SALEABLE	NOT APPLICABLE	34566-9923	0	A	BLACK	72	71				67	66				62	61	60			57			55	54			
							51			48		46	45	44	43	42			39						35		33	
						73												26	25	24								
												15	14							8	7	6	5	4	3	2		
SALEABLE	NOT APPLICABLE	34566-9933	0	B	ST GRAY				69				65	64	63													
									49				45	44	43													
						73										12	11					22	21	20	19	18	17	
																						6	5	4	3	2	1	
SALEABLE	NOT APPLICABLE	34566-9943	0	C	BLUE		71		69				65	64			61	60			58		56	55	54			
								50	49			45		43		41					37	36	35					
						73					31		29	28				24	23						19	18	17	
												16		13	12	11				8	7					3	2	1
SALEABLE	NOT APPLICABLE	34566-9953	0	A	BLACK					67						62		60			57			55				
							51			48		46	45	44	43				39						35			
						73													25									
												15	14							7	6	5	4	3	2			
SALEABLE	NOT APPLICABLE	34566-9963	0	B	ST GRAY					68	67			64	63					58			55					
												46	45		43						38			35				
						73					32		30	29	28	27				22				19		17		
												15		13				10									1	
SALEABLE	NOT APPLICABLE	34566-9973	0	B	ST GRAY					68	67			64	63					58								
												46	45		43						38							
						73					32		30	29	28	27				22							17	
												15		13				10										
SALEABLE	NOT APPLICABLE	34566-2983	9	A	BLACK			70	69						63	62	61			58	57	56	55	54	53			
						52	51		49					44	43	42	41					37	36			34		
						73					32		29	28	27	26									19	18	17	
											16	15		13	12	11	10								3	2	1	
SALEABLE	NOT APPLICABLE	34566-2993	9	B	ST GRAY	72	71	70		68	67	66				62	61	60	59	58	57	56	55	54	53			
						52	51	50		48	47	46				42	41	40	39	38	37	36	35	34	33			
						73					32	31	30	29	28	27	26	25	24									
											16	15	14	13			10	9	8									
SALEABLE	NOT APPLICABLE	34566-3013	9	C	BLUE	72	71	70	69	68	67	66			63	62			59		57	56	55		53			
						52	51					46		44		42		40	39	38						34	33	
						73					32		30				26	25			22	21			19	18		
												15	14				10	9			6	5	4	3				
SALEABLE	NOT APPLICABLE	34566-3023	0	G	BLUE		79			76					71			68		66				61				
							59			56				53					30	29	28			44	43	42	41	
							39			36	35	34													23	22	21	
							19			16	15	14	13	12	11					7					4			
SALEABLE	NOT APPLICABLE	34566-3033	0	H	ST GRAY	80		78	77	76	75					70				66	65		63					
						60		58	57	56	55				51	50					46	45	44	43				
						40	39		37	36	35	34			32	31	30			28			24	23	22			
						20	19	18	17	16				13	12							6	5	4	3	2	1	
SALEABLE	NOT APPLICABLE	34566-3043	0	C	BLUE	72	71	70		68		66			63	62			59		57				53			
						52	51			48	47	46		44		42		40	39							34	33	
						73					32		30			27	26	25			22	21	20					
												15	14	13			10	9			6	5	4					
SALEABLE	NOT APPLICABLE	34566-3053	0	C	BLUE	72		70		68		66			63	62			59		57				53			
						52	51			48	47	46		44		42		40	39	38						34	33	
						73					32		30			27	26	25			22	21	20					
												15	14	13			10	9			6	5	4					

MX123 52/66/73/80-WAY RECEPTACLE ASSY SEALED PIN OUT SHEET

STATUS	GM PART #	HRNS CONN ASSY			TPA	GROMMET CAP																				
		MATERIAL/PART	WIRE DRESS OPTION	KEY OPTION Fp	COLOR OPTION Fp	NUMBERS INDICATE CAVITIES OPEN FOR CIRCUITS																				
		NUMBER				Fp																				
SALEABLE	NOT APPLICABLE	34566-3063	0	A	BLACK	52	71		69				65	64	63		60		58	57	56	55	54	53		
							51		49				45	44	43	42	41					37	36	35	34	33
						73				32		30		28		26									19	18
SALEABLE	NOT APPLICABLE	34566-3073	0	A	BLACK	52	71		69				65	64	63		60		57	56	55	54	53			
							51		49				45	44	43	42	41					37	36	35	34	33
						73				32		30		28		26		23							19	18
SALEABLE	NOT APPLICABLE	34566-3083	0	A	BLACK	52	71		69				65	64	63		60		58	57	56	55	54	53		
							51		49				45	44	43	42	41					37	36	35	34	33
						73				32		30		28		26									19	18
SALEABLE	NOT APPLICABLE	34566-3093	0	A	BLACK	52	71		69				65	64	63		60		57	56	55	54	53			
							51		49				45	44	43	42	41					37	36	35	34	33
						73				32		30		28		26		23							19	18
SALEABLE	NOT APPLICABLE	34566-3113	0	A	BLACK	52	71		69				65	64	63		60		57	56	55	54	53			
							51		49				45	44	43	42	41					37	36	35	34	33
						73				32		30		28		26		23		21					19	18
SALEABLE	NOT APPLICABLE	34566-3123	0	B	ST GRAY	72		70		68		66				60	59					55	54	53		
						52		50		48		46				40	39							35	34	33
						73				32	31	30	29	28	27	26	25	24								
SALEABLE	NOT APPLICABLE	34566-3133	0	C	BLUE	72		70		68	67	66			63	62		59		57				53		
						52	51			48	47	46		44		42		40	39						34	33
						73				32		30				26	25		22	21	20					
SALEABLE	NOT APPLICABLE	34566-3143	0	C	BLUE	72		70				66			63	62		59		57				53		
						52	51					46		44		42		40	39						34	33
						73				32		30				26	25		22	21						
SALEABLE	NOT APPLICABLE	34566-3153	0	A	BLACK	52	71		69						63			58		56		54				
							51		49		47			44	43	42	41					36		34		
						73				32				28		26								19	18	
SALEABLE	NOT APPLICABLE	34566-3163	0	C	BLUE	72		70							63	62		59		57	56	55		53		
						52	51				46		44		42		40	39						34	33	
						73				32		30				26	25		22	21				19	18	
SALEABLE	NOT APPLICABLE	34566-3173	0	A	BLACK	52	71		69						63			58		56		54				
							51		49		47			44	43	42	41					36		34		
						73				32				28		26								19	18	17
SALEABLE	NOT APPLICABLE	34566-3183	0	C	BLUE	72		70				66			63	62		59		57	56	55		53		
						52	51				46		44		42		40	39						34	33	
						73				32		30				26	25		22	21						
SALEABLE	NOT APPLICABLE	34566-3193	0	A	BLACK	52	71		69						63			58		56	55	54	53			
							51		49					44	43	42	41					36	35	34	33	
						73				32				28		26								19	18	17
SALEABLE	NOT APPLICABLE	34566-3213	0	C	BLUE	72		70				67	66			63	62		59		56			53		
						52	51				46		44		42		40							34	33	
						73				32		30				26	25		22	21						
SALEABLE	NOT APPLICABLE	34566-3223	0	C	BLUE	72		70				67	66			63	62		59		57			53		
						52	51				46		44		42		40	39						34	33	
						73				32		30			27	26	25		22	21						

MX123 52/66/73/80-WAY RECEPTACLE ASSY SEALED PIN OUT SHEET

STATUS	GM PART #	HRNS CONN ASSY			TPA	GROMMET CAP																									
		MATERIAL/PART	WIRE DRESS OPTION	KEY OPTION Fp	COLOR OPTION Fp	NUMBERS INDICATE CAVITIES OPEN FOR CIRCUITS																									
		NUMBER				Fp																									
SALEABLE	NOT APPLICABLE	34566-3233	0	A	BLACK	70	69									63	62	61					58	57	56	55	54	53			
						52	51		49					44	43	42	41											36		19	18
						73				32				29	28	27	26														3
SALEABLE	NOT APPLICABLE	34566-3243	0	C	BLUE	72		70							66			63	62				59		57			53			
						52	51						46		44		42			40	39								34	33	
						73				32		30				26	25			22	21										
SALEABLE	NOT APPLICABLE	34566-3253	0	A	BLACK	70	69									63							58		56	55	54	53			
						52	51		49					44	43	42	41											36		34	
						73				32				28		26														19	18
SALEABLE	NOT APPLICABLE	34566-3263	0	C	BLUE	72		70							66			63	62				59		57	56	55	54	53		
						52	51						46		44		42			40	39									34	33
						73				32		30				26	25			22	21									19	18
SALEABLE	NOT APPLICABLE	34566-3273	0	A	BLACK	70	69									63							58		56	55	54	53			
						52	51		49					44	43	42	41											36		34	
						73				32				28		26														19	18
SALEABLE	NOT APPLICABLE	34566-3283	0	C	BLUE	72		70							66			63	62				59		57	56	55	54	53		
						52	51						46		44		42			40	39									34	33
						73				32		30				26	25			22	21									19	18
SALEABLE	NOT APPLICABLE	34566-3293	0	B	ST GRAY	72	71	70		68	67	66					62	61	60	59	58	57	56	55	54	53					
						52	51	50		48	47					42	41	40	39	38	37	36	35	34	33						
						73				32	31	30	29	28	27	26	25	24	23												
SALEABLE	NOT APPLICABLE	34566-3313	0	C	BLUE	72		70								63	62					59		57				53			
						52	51						46		44		42			40	39								34	33	
						73				32		30				26	25			22	21										
SALEABLE	NOT APPLICABLE	34566-3323	0	B	ST GRAY				49	68	67	66	65	64	63								58			55					
										48		46	45	44	43									38							
						73				32		30	29	28	27										22						
SALEABLE	NOT APPLICABLE	34566-3333	0	A	BLACK	72	71	70	69	68				65	64	63		61			59	58	57	56			54				
						52	51	50	49		47					42	41			38	37	36			34	33					
						73				32	31	30	29	28	27	26		24	23							20	19	18	17		
SALEABLE	NOT APPLICABLE	34566-3343	0	A	BLACK	72			69	68	67	66	65	64	63								59	58	57	56			53		
									49		47			44	43	42			40					37	36	35			33		
						73				32		30	29	28		26			24						21	20				17	
SALEABLE	NOT APPLICABLE	34566-3353	0	B	ST GRAY					68	67			64							59	58					54				
												46	45										39	38							
						73				32		30	29	28	27					23	22									17	
SALEABLE	NOT APPLICABLE	34566-3363	0	A	BLACK		71		69	68				65	64	63		61			59		57	56			54				
						52		50	49		47					42	41	40	39	38	37	36			34	33					
						73				32	31	30	29	28	27	26		24	23	22						20	19	18			
SALEABLE	NOT APPLICABLE	34566-3373	9	C	BLUE	72		70		68	67	66				63	62				59		57	56	55	54	53				
						52	51			48	47	46		44		42			40	39	38							34	33		
						73				32		30				26	25			22	21							19	18		
SALEABLE	NOT APPLICABLE	34566-3383	0	A	BLACK			70	69	68				65	64	63		61			59	58	57	56			54				
						52		50	49	48	47					42	41			38	37	36			34	33					
						73				32	31	30	29	28	27	26		24	23							20	19	18		1	

MX123 52/66/73/80-WAY RECEPTACLE ASSY SEALED PIN OUT SHEET

STATUS	GM PART #	HRNS CONN ASSY			TPA	GROMMET CAP																						
		MATERIAL/PART	WIRE DRESS OPTION	KEY OPTION Fp	COLOR OPTION Fp	NUMBERS INDICATE CAVITIES OPEN FOR CIRCUITS																						
		NUMBER				Fp																						
SALEABLE	NOT APPLICABLE	34566-3393	0	C	BLUE	72		70		68	67	66			63	62			59		57					53		
						52	51			48	47	46		44			42		40	39							34	33
						73						32		30				26	25			22	21					
SALEABLE	NOT APPLICABLE	34566-3413	0	A	BLACK	72		70			67	66	65				61			58	57			55	54			
								50	49		47		45	44	43	42	41		39		37		35					
						73						32		30			27	26	25	24		21	20	19	18	17		
SALEABLE	NOT APPLICABLE	34566-3423	9	C	BLUE				69						63				58		56	55	54	53				
						52	51		49				44	43	42	41							36	35	34	33		
						73						32				28		26						19	18	17		
SALEABLE	NOT APPLICABLE	34566-3433	9	C	BLUE										63	62			59		57	56	55	54	53			
						52	51						44	43	42	41									34	33		
						73								30				26	25			22	21					
SALEABLE	NOT APPLICABLE	34566-3443	0	A	BLACK		71		69				65	64	63			60			57	56	55	54	53			
						52	51		49				45	44	43	42	41					37	36	35	34	33		
						73						32		30		28		26			23				19	18		
SALEABLE	NOT APPLICABLE	34566-3453	0	A	BLACK																							
						73																		20				
																			9				5					1
SALEABLE	NOT APPLICABLE	34566-3463	9	H	ST GRAY																							
						73																				61		
						20													9				5					1
SALEABLE	NOT APPLICABLE	34566-3473	9	B	ST GRAY	72	71	70	69	68	67	66	65	64		62	61	60	59	58	57	56	55	54				
						52	51	50	49			46		44				40		38	37	36						
						73						32	31	30	29	28	27		25	24			21	20		18	17	
SALEABLE	NOT APPLICABLE	34566-3483	0	B	ST GRAY																							
						52	51	50	49	48	47	46	45	44				40		38	37	36						
						73						32	31	30	29	28	27		24			21	20	19	18	17		
SALEABLE	NOT APPLICABLE	34566-3493	0	A	BLACK																							
						72		70			67	66	65				61			58	57			55	54			
						73						32		30			27	26	25	24		21	20	19	18	17		
SALEABLE	NOT APPLICABLE	34566-3513	0	A	BLACK			70	69						63	62	61	60			58	57	56	55	54	53		
						52	51		49				44	43	42	41							37	36			34	
						73						32		29	28	27	26								19	18		
SALEABLE	NOT APPLICABLE	34566-3523	0	A	BLACK																							
						72		70				66				63	62							56	55	54		
						73								31		28		26					21	20	19	18		
SALEABLE	NOT APPLICABLE	34566-3533	9	A	BLACK				69						63				58		56	55	54	53				
						52	51		49				44	43	42	41								36	35	34	33	
						73						32				28		26							19	18	17	
SALEABLE	NOT APPLICABLE	34566-3543	9	A	BLACK																							
						72		70				66				63	62			59		57	56	55	54	53		
						73								30				26	25			22	21					34
SALEABLE	NOT APPLICABLE	34566-3553	9	C	BLUE																							
						72	71	70	69	68	67	66	65		63	62	61		59	58	57	56	55	54	53			
						73								31	30	29	28	27	26	25			22		20	19	18	17

MX123 52/66/73/80-WAY RECEPTACLE ASSY SEALED PIN OUT SHEET

STATUS	GM PART #	HRNS CONN ASSY			TPA	GROMMET CAP																					
		MATERIAL/PART	WIRE DRESS OPTION	KEY OPTION Fp	COLOR OPTION Fp	NUMBERS INDICATE CAVITIES OPEN FOR CIRCUITS																					
		NUMBER																									
SALEABLE	NOT APPLICABLE	34566-3563	9	C	BLUE	72		70		68	67	66		63	62		59		57				53				
						52	51			48	47	46		44		42		40	39	38				34	33		
						73				32		30			27	26	25			22	21						
SALEABLE	NOT APPLICABLE	34566-3573	9	C	BLUE			70	69	68				63	62	61			58	57	56	55	54	53			
						52	51	50	49	48	47			44	43	42	41			37	36			34			
						73				32				29	28	27	26								19	18	
SALEABLE	NOT APPLICABLE	34566-3583	9	A	BLACK			70	69					63	62	61			58	57	56	55	54	53			
						52	51	50	49					44	43	42	41			37	36			34			
						73				32				29	28	27	26								19	18	
SALEABLE	NOT APPLICABLE	34566-3593	0	A	BLACK		71		69					64	63		60		58	57	56	55	54	53			
						52	51		49					45	44	43	42	41			37	36	35	34	33		
						73				32		30			28		26								19	18	
SALEABLE	NOT APPLICABLE	34566-3613	0	B	ST GRAY					68	67			64	63			59									
												46	45		43												
						73				32		30	29	28	27												
SALEABLE	NOT APPLICABLE	34566-3623	0	A	BLACK	72		70	69					63	62	61	60	59	58	57	56	55	54	53			
						52	51		49					44	43	42	41			37	36			34			
						73				32				29	28	27	26								19	18	
SALEABLE	NOT APPLICABLE	34566-3633	0	C	BLUE	72		70		68	67	66		63	62		59		57					53			
						52	51			48	47	46		44			40	39	38	37	36			34	33		
						73				32		30				26	25	24	23	22	21						
SALEABLE	NOT APPLICABLE	34566-3643	0	B	ST GRAY		71	70		68	67	66		64	63			59							53		
						52	51	50		48	47	46							39						34	33	
						73				32	31	30	29	28	27	26	25	24								17	
SALEABLE	NOT APPLICABLE	34566-3653	0	B	ST GRAY		71	70	69	68		66	65	64	63			59							53		
						52	51	50	49	48	47	46	45	44	43				39						34	33	
						73				32		30	29	28	27	26	25	24								17	
SALEABLE	NOT APPLICABLE	34566-3663	0	A	BLACK		71	70	69					63	62	61	60	59	58	57	56	55	54	53			
						52	51		49					44	43	42	41			37	36			34			
						73				32				29	28	27	26								19	18	
SALEABLE	NOT APPLICABLE	34566-3673	9	C	BLUE		71	70	69	68	67		65		63	62	61		59	58	57	56	55	54	53		
							51	50	49	48			45	44	43	42	41	40	39	38			36	35	34	33	
						73					31	30	29	28	27	26				22		20	19	18	17		
SALEABLE	NOT APPLICABLE	34566-3683	9	H	ST GRAY																			61			
						20									32												
SALEABLE	NOT APPLICABLE	34566-3693	0	C	BLUE	72		70		68	67	66		63	62		59		57					53			
						52	51			48	47	46		44		42		40	39	38				34	33		
						73				32		30			27	26	25			22	21						
SALEABLE	NOT APPLICABLE	34566-3713	0	C	BLUE			70		68	67	66		63	62	61		59		57				53			
						52	51			48	47	46		44		42		40	39					34	33		
						73				32		30			27	26	25			22	21						
SALEABLE	NOT APPLICABLE	34566-3723	0	A	BLACK			70	69					63	62	61		58	57	56	55	54	53				
						52	51	50	49					44	43	42	41			37	36			34			
						73				32				29	28	27	26								19	18	

MX123 52/66/73/80-WAY RECEPTACLE ASSY SEALED PIN OUT SHEET

STATUS	GM PART #	HRNS CONN ASSY			TPA	GROMMET CAP																				
		MATERIAL/PART	WIRE DRESS OPTION	KEY OPTION Fp	COLOR OPTION Fp	NUMBERS INDICATE CAVITIES OPEN FOR CIRCUITS																				
		NUMBER				Fp																				
SALEABLE	NOT APPLICABLE	34566-3733	0	B	ST GRAY	72	71	70		68	67	66				62	61	60	59	58	57	56	55	54	53	
						52	51	50		48	47	46				42	41	40	39	38	37	36	35	34	33	
						73				32	31	30	29	28	27	26	25	24	23							
SALEABLE	NOT APPLICABLE	34566-3743	0	C	BLUE	72		70		68		66			63	62			59		57			53		
						52	51			48	47	46		44		42		40	39	38					34	33
						73				32		30			27	26	25			22	21					
SALEABLE	NOT APPLICABLE	34566-3753	0	C	BLUE	72		70		68		66			63	62			59		57			53		
						52	51			48	47	46		44		42		40	39						34	33
						73				32		30			27	26	25			22	21					
SALEABLE	NOT APPLICABLE	34566-3763	0	C	BLUE	72		70		68		66			63	62			59		57	56	55	54	53	
						52	51			48	47	46		44		42		40	39						34	33
						73				32		30			27	26	25			22	21					
SALEABLE	NOT APPLICABLE	34566-3773	0	A	BLACK			70	69						63				58		56	55	54	53		
						52	51	50	49					44	43	42	41		39				36		34	
						73				32					28		26							19	18	
SALEABLE	NOT APPLICABLE	34566-3783	0	A	BLACK			70	69						63				58		56	55	54	53		
						52	51	50	49					44	43	42	41		39				36		34	
						73				32					28		26							19	18	17
SALEABLE	NOT APPLICABLE	34566-3793	0	A	BLACK		71	70						64	63			60		58	57	56	55	54	53	
						52	51		49				45	44	43	42	41				37	36			34	
						73				32		30			28		26		23		21		19	18		
SALEABLE	NOT APPLICABLE	34566-3813	0	C	BLUE	72		70		68		66			63	62			59		57			53		
						52	51			48	47	46		44		42		40	39	38	37	36			34	33
						73				32		30				26	25	24		22	21	20				
SALEABLE	NOT APPLICABLE	34566-3823	0	A	BLACK			70	69						63		61			58	57	56	55	54	53	
						52	51		49					44	43		41				37	36			34	
						73				32					27	26								19	18	
SALEABLE	NOT APPLICABLE	34566-3833	0	A	BLACK			70	69						63	62	61			57	56	55	54	53		
						52	51		49					44	43	42	41				37	36			34	
						73				32			29	28	27	26			23					19	18	
SALEABLE	NOT APPLICABLE	34566-3843	0	A	BLACK	72	71	70	69	68	67	66			64	63	62		60	59			55	54	53	
						52			49	48				44	43	42	41	40	39					35	34	33
						73				32			29	28	27		25	24	23					19	18	17
SALEABLE	NOT APPLICABLE	34566-3853	0	A	BLACK	72	71	70	69	68	67	66	65	64	63	62		60	59			55	54	53		
						52			49	48			45	44	43	42	41	40	39				35	34	33	
						73				32			29	28	27		25	24	23					19	18	17
SALEABLE	NOT APPLICABLE	34566-3863	0	B	ST GRAY	72	71	70		68	67	66				62	61	60	59	58	57	56	55	54	53	
						52	51	50		48	47	46				42	41	40	39	38	37	36	35	34	33	
						73				32	31	30	29	28	27	26	25	24								
SALEABLE	NOT APPLICABLE	34566-3873	0	B	ST GRAY										63				59	58	57	56	55			
								50	49	48		46	45		43					39	38	37	36	35	34	
						73							29		27					23	22	21				18
SALEABLE	NOT APPLICABLE	34566-3883	0	B	ST GRAY						67	66						59	58	57	56	55		53		
								50	49	48			45						39	38	37	36	35	34	33	
						73							29						23	22	21				18	

MX123 52/66/73/80-WAY RECEPTACLE ASSY SEALED PIN OUT SHEET

STATUS	GM PART #	HRNS CONN ASSY			TPA	GROMMET CAP																							
		MATERIAL/PART	WIRE DRESS OPTION	KEY OPTION Fp	COLOR OPTION Fp	NUMBERS INDICATE CAVITIES OPEN FOR CIRCUITS																							
		NUMBER				Fp																							
SALEABLE	NOT APPLICABLE	34566-4063	0	B	ST GRY					68	67			64					59	58					54				
						73				32		46	45	28	27								23	22					
SALEABLE	NOT APPLICABLE	34566-4073	0	A	BLACK	72			70																				
						52	51																						
						73				32		30																	
SALEABLE	NOT APPLICABLE	34566-4083	0	C	BLUE	72			70																				
						52	51																						
						73				32		30																	
SALEABLE	NOT APPLICABLE	34566-4093	0	A	BLACK		71	70	69																				
						52	51		49																				
						73				32		30																	
SALEABLE	NOT APPLICABLE	34566-4113	0	B	ST GRY					68	67			64															
						73				32		30	29	28	27														
SALEABLE	NOT APPLICABLE	34566-4123	9	A	BLACK	72				69																			
						52				49																			
						73				32		30	29	28															
SALEABLE	NOT APPLICABLE	34566-4133	9	B	ST GRY					68	67			64															
						73				32		30	29	28	27														
SALEABLE	NOT APPLICABLE	34566-4143	0	B	ST GRY					68	67			64															
						73				32		30	29	28	27														
SALEABLE	NOT APPLICABLE	34566-4153	0	B	ST GRY	72			70																				
						52			50																				
						73				32	31	30	29	28	27	26	25	24	23										
SALEABLE	NOT APPLICABLE	34566-4163	0	B	ST GRY	72			70																				
						52			50																				
						73				32	31	30	29	28	27	26	25	24											
SALEABLE	NOT APPLICABLE	34566-4173	0	A	BLACK	72	71	70	69																				
						52	51		49																				
						73				32		30		28															
SALEABLE	NOT APPLICABLE	34566-4183	0	C	BLUE	72			70																				
						52	51																						
						73				32		30																	
SALEABLE	NOT APPLICABLE	34566-4193	0	C	BLUE		71		69																				
									50	49																			
						73					31		29	28															
SALEABLE	NOT APPLICABLE	34566-4213	0	A	BLACK	72	71																						
									50																				
						73					31	30																	
SALEABLE	NOT APPLICABLE	34566-4223	0	A	BLACK	72	71																						
									50																				
						73					31	30																	

MX123 52/66/73/80-WAY RECEPTACLE ASSY SEALED PIN OUT SHEET

STATUS	GM PART #	HRNS CONN ASSY			TPA	GROMMET CAP																							
		MATERIAL/PART	WIRE DRESS OPTION	KEY OPTION Fp	COLOR OPTION Fp	NUMBERS INDICATE CAVITIES OPEN FOR CIRCUITS																							
		NUMBER				Fp																							
SALEABLE	NOT APPLICABLE	34566-4393	0	G	BLUE			78	77		75	74		72		70	69		67		65	64	63	62					
						60		58	57		55	54		52	51	50	49		47		45								
						40		38	37					33	32	31				27	26	25	24						
						20		18	17									10	9	8		6	5			3	2	1	
SALEABLE	NOT APPLICABLE	34566-4413	0	B	ST GRAY									63			59	58	57	56	55		53						
								50	49	48		46		43			39	38	37	36	35	34	33						
						73							29		27				23	22	21				18				
										16	15	14								7	6	5	4	3					
SALEABLE	NOT APPLICABLE	34566-4423	9	C	BLUE	72		70		68	67	66		63	62		59		57					53					
						52	51			48	47	46		44		42		40	39	38	37	36			34	33			
						73								32		30			27	26	25	24		22	21				
												15	14					10	9	8		6	5	4			2		
SALEABLE	NOT APPLICABLE	34566-4433	9	A	BLACK			70	69					63	62	61	60		58	57	56	55	54	53					
						52	51	50	49				44	43	42	41	40			37	36				34	33			
						73								32			29	28	27	26						19	18		
										16	15	14	13	12	11	10											3		
SALEABLE	NOT APPLICABLE	34566-4443	9	A	BLACK						67	66																	
										48	47						41												
						73								32	31	30	29		27	26	25		22	21		19	18	17	
										16	15	14	13															1	
SALEABLE	NOT APPLICABLE	34566-4453	0	A	BLACK	72	71	70	69		68			65	64	63	62	61	60	59	58	57	56	55	54	53			
						52	51	50	49	48		46	45	44	43	42	41	40	39	38	37	36	35	34	33				
						73										28				24	23					20			
															12	11											2	1	
SALEABLE	NOT APPLICABLE	34566-4463	9	B	ST GRAY									63										53					
										48	47		45		43	42		39						35	34	33			
						73											11									19			
																												1	
SALEABLE	NOT APPLICABLE	34566-4473	0	B	ST GRAY								64	63	62		59	58						53					
										47		45		43	42		39							35	34	33			
						73												26	25		23	22							
																											3	1	
SALEABLE	NOT APPLICABLE	34566-4483	9	C	BLUE	72		70		68	67	66		63	62		59	58	57	56	55			53					
						52	51		49	48	47	46		44		40	39	38	37	36				34	33				
						73								32		30			27	26	25	24	23	22	21	20	19	18	17
												15	14	13				10	9	8	7	6	5	4	3	2	1		
SALEABLE	NOT APPLICABLE	34566-4493	9	A	BLACK	72	71	70	69		67			64	63	62	61	60	59	58	57	56	55	54	53				
						52	51	50	49	48	47		45	44	43	42	41	40	39		37	36			34				
						73								32		30	29	28	27	26		24	23		21		19	18	17
										16	15	14	13	12	11	10				8			5			3	2	1	
SALEABLE	NOT APPLICABLE	34566-4513	9	B	ST GRAY	72	71	70		68	67	66				62	61	60	59	58	57	56	55	54	53				
						52	51	50		48	47	46				42	41	40	39	38	37	36	35	34	33				
						73								32	31	30	29	28	27	26	25	24	23				19	18	17
										16	15	14	13					10		8	7					3	2	1	
SALEABLE	NOT APPLICABLE	34566-4523	0	G	BLUE			78	77		75	74		72		70	69		67		65	64	63	62					
						60		58	57		55	54		52	51	50	49		47		45								
						40		38	37						31				27	26	25	24							
						20		18	17									10	9	8		6	5			3	2	1	
SALEABLE	NOT APPLICABLE	34566-4533	0	A	BLACK	72			69		67		65		63		60			57	56				53				
									49		47			44	43		40			37	36	35				33			
						73										31	30	29	28			24			21	20		17	
										16	15	14	13				11	10					5	4	3	2	1		
SALEABLE	NOT APPLICABLE	34566-4543	0	B	ST GRAY					68	67			64	63			58	57		55			53					
												46	45		43				38	37				35					
						73								32		30	29	28	27							19		17	
															12			10										1	
SALEABLE	NOT APPLICABLE	34566-4553	0	B	ST GRAY					68	67			64	63			58	57					53					
												46	45		43				38	37									
						73								32		30	29	28	27							22	21		17
																		12		10									

MX123 52/66/73/80-WAY RECEPTACLE ASSY SEALED PIN OUT SHEET

STATUS	GM PART #	HRNS CONN ASSY			TPA	GROMMET CAP																						
		MATERIAL/PART	WIRE DRESS OPTION	KEY OPTION Fp	COLOR OPTION Fp	NUMBERS INDICATE CAVITIES OPEN FOR CIRCUITS																						
		NUMBER				Fp																						
SALEABLE	NOT APPLICABLE	34566-4733	0	A	BLACK	72	71	70	69					64	63			60	59	58		56	55	54	53			
						52	51		49		47		45	44	43	42	41						21		36		19	18
						73				32		30		28		26							8		5		3	
SALEABLE	NOT APPLICABLE	34566-4743	9	A	BLACK	72	71	70	69		67		65	64	63	62	61	60	59	58	57	56	55	54	53			
						52	51	50	49	48	47		45	44	43	42	41	40	39		37	36				34		
						73				32		30	29	28	27	26		24	23		21				19	18	17	
SALEABLE	NOT APPLICABLE	34566-4753	0	B	ST GRAY					68	67			64						58								
											46	45										38						
						73				32		30	29	28	27						22							17
SALEABLE	NOT APPLICABLE	34566-4763	0	B	ST GRAY					68	67			64														
											46	45																
						73				32		30	29	28	27													17
SALEABLE	NOT APPLICABLE	34566-4773	0	B	ST GRAY					68	67			64					59	58					54			
											46	45								39	38							
						73				32		30	29	28	27					23	22							17
SALEABLE	NOT APPLICABLE	34566-4783	0	B	ST GRAY					68	67			64	63										55			
											46	45			43							38					35	
						73				32		30	29	28	27							22						19
SALEABLE	NOT APPLICABLE	34566-4793	0	B	ST GRAY					68	67			64	63													
											46	45			43													
						73				32		30	29	28	27													17
SALEABLE	NOT APPLICABLE	34566-4813	9	B	ST GRAY					68	67			64					59	58					54			
											46	45								39	38							
						73				32		30	29	28	27					23	22							17
SALEABLE	NOT APPLICABLE	34566-4823	0	C	BLUE					68	67	66	65	64					59	58	57				55			
							51	50	49	48		46	45		43	42	41	40	39	38	37						35	
						73				32	31	30				26		24	23	22					20			
SALEABLE	NOT APPLICABLE	34566-4833	0	C	BLUE	72			70		68	67	66			63	62			59		57				53		
						52	51			48	47	46		44		42		40	39			37	36				34	
						73				32		30			27	26	25	24			22	21						
SALEABLE	NOT APPLICABLE	34566-4843	0	C	BLUE	72			70		68	67	66			63	62			59		57				53		
						52	51			48	47	46		44		42		40	39	38	37	36					34	
						73				32		30			27	26	25	24			22	21						
SALEABLE	NOT APPLICABLE	34566-4853	0	C	BLUE	72			70		68		66			63	62			59		57	56	55		53		
						52	51			48	47	46		44		42		40	39			37	36				34	
						73				32		30			27	26	25	24			22	21				19	18	
SALEABLE	NOT APPLICABLE	34566-4863	0	C	BLUE	72			70		68		66			63	62			59		57				53		
						52	51			48	47	46		44		42		40	39	38	37	36					34	
						73				32		30			27	26	25	24			22	21						
SALEABLE	NOT APPLICABLE	34566-4873	0	C	BLUE	72			70		68		66			63	62			59		57				53		
						52	51			48	47	46		44		42		40	39			37	36				34	
						73				32		30			27	26	25	24			22	21						
SALEABLE	NOT APPLICABLE	34566-4883	9	A	BLACK	72				69		67		65		63			60			57	56			53		
									49		47	46		44	43			40				37	36	35				33
						73				32		30	29	28				24				21	20					

MX123 52/66/73/80-WAY RECEPTACLE ASSY SEALED PIN OUT SHEET

STATUS	GM PART #	HRNS CONN ASSY			TPA	GROMMET CAP																						
		MATERIAL/PART	WIRE DRESS OPTION	KEY OPTION Fp	COLOR OPTION Fp	NUMBERS INDICATE CAVITIES OPEN FOR CIRCUITS																						
		NUMBER				Fp																						
SALEABLE	NOT APPLICABLE	34566-4893	9	B	ST GRAY					68	67			64	63					58			55					
SALEABLE	NOT APPLICABLE	34566-4913	9	B	ST GRAY					68	67			64	63					58	57		55		53			
SALEABLE	NOT APPLICABLE	34566-4923	9	A	BLACK	72			69		67		65		63		60		57	56					53			
									49		47		44	43		40		37	36	35								33
SALEABLE	NOT APPLICABLE	34566-4933	0	C	BLUE	72			70		68	67	66		63	62		59	57						53			
						52	51			48	47	46		44		40	39		37	36	35	34	33					
SALEABLE	NOT APPLICABLE	34566-4943	0	A	BLACK	72			70	69	68	67			63	62	61	60	59	58	57	56	55	54	53			
						52	51	50	49					44	43	42	41		39	38	37	36					34	
SALEABLE	NOT APPLICABLE	34566-4953	0	B	ST GRAY	72	71	70	69		68	67	66	65	64	63			59							53		
						52	51	50	49	48	47	46	45	44	43					39								34
SALEABLE	NOT APPLICABLE	34566-4963	9	A	BLACK	72			69		67	66	65		63		60		57	56					53			
									49		47	46		44	43	42	41		40		37	36	35					33
SALEABLE	NOT APPLICABLE	34566-4973	9	B	ST GRAY					68	67			64					59	58					54			
SALEABLE	NOT APPLICABLE	34566-4983	0	B	ST GRAY	72			70		68		66					60	59					55	54	53		
						52		50		48		46		44				40	39							35	34	33
SALEABLE	NOT APPLICABLE	34566-4993	0	A	BLACK	72	71	70	69		67			64	63		60	59			56	55	54	53				
						52	51		49		47		45	44	43	42	41					36						34
SALEABLE	NOT APPLICABLE	34566-5013	9	B	ST GRAY					68	67			64	63			59	58					55	54			
SALEABLE	NOT APPLICABLE	34566-5023	0	C	BLUE	72			70		68	67			63	62		59	57						53			
						52	51			48	47	46		44		42	40	39		37	36					34	33	
SALEABLE	NOT APPLICABLE	34566-5033	0	A	BLACK				70	69					63	62	61	60		58	57	56	55	54	53			
						52	51		49					44	43	42	41					37	36	35	34	33		
SALEABLE	NOT APPLICABLE	34566-5043	0	A	BLACK																							
SALEABLE	NOT APPLICABLE	34566-5053	0	B	ST GRAY																							

MX123 52/66/73/80-WAY RECEPTACLE ASSY SEALED PIN OUT SHEET

STATUS	GM PART #	HRNS CONN ASSY			TPA	GROMMET CAP																						
		MATERIAL/PART	WIRE DRESS OPTION	KEY OPTION Fp	COLOR OPTION Fp	NUMBERS INDICATE CAVITIES OPEN FOR CIRCUITS																						
		NUMBER				Fp																						
SALEABLE	NOT APPLICABLE	34566-5063	9	H	ST GRAY	80	79	78	77	76	75	74	73	72	71	70	69	68	67	66	65	64	63	62	61			
						60	59	58	57	56	55	54	53	52	51	50	49	48	47	46	45	44	43	42	41	40		
						40	39	38	37		35	34	33	32		30	29		27	26		24	23	22	21	20	19	
						20	19	18	17			14	13	12	11	10	9	8		6	5		3	2				
SALEABLE	NOT APPLICABLE	34566-5073	9	A	BLACK	72	71	70	69	68	67	66	65	64	63	62	61	60	59	58	57	56	55	54	53			
						52	51	50	49	48	47	46	45	44	43	42	41	40	39	38	37	36		34	33			
						73				32	31	30	29	28	27	26		24	23	22	21	20	19	18				
										16			13	12	11	10	9	8										1
SALEABLE	NOT APPLICABLE	34566-5083	9	A	BLACK			70	69						63	62	61	60		58	57	56	55	54	53			
						52	51		49				44	43	42	41			38	37					34			
						73				32			29	28	27	26			23						19	18		
										16	15		13	12	11	10		8								3		
SALEABLE	NOT APPLICABLE	34566-5093	0	B	ST GRAY	72	71	70	69	68	67	66	65	64	63	62	61	60	59	58	57	56	55	54	53			
						52	51	50	49	48	47	46	45	44	43	42	41	40	39	38	37	36	35	34	33			
						73							29		27				23	22	21						18	
										16	15	14	13						8	7	6	5	4	3				
SALEABLE	NOT APPLICABLE	34566-5113	0	A	BLACK	72	71	70	69	68	67	66		64	63	62		60	59				55	54	53			
						52			49	48				44	43	42	41	40	39					35	34	33		
						73				32			29		27		25	24	23						19	18	17	
										16			13	12	11	10	9	8	7	6	5	4	3	2	1			
SALEABLE	NOT APPLICABLE	34566-5123	9	C	BLUE	72		70		68	67	66			63	62		59		57				53				
						52	51			48	47	46	45	44			40	39	38	37	36				34	33		
						73				32		30			27	26	25	24		22	21	20						
											15	14				10	9	8		6	5	4			2			
SALEABLE	NOT APPLICABLE	34566-5133	9	B	ST GRAY	72	71	70		68	67	66			62	61	60	59	58	57	56	55	54	53				
						52	51	50		48	47	46			42	41	40	39	38	37	36	35	34	33				
						73				32	31	30	29	28	27	26	25	24	23									
										16	15	14	13						9	8								
SALEABLE	NOT APPLICABLE	34566-5143	0	C	BLUE	72		70		68	67	66			63	62		59		57				53				
						52	51			48	47	46		44		42		40	39		37	36			34	33		
						73				32		30				26	25	24		22	21	20						
											15	14				10	9	8		6	5	4			2			
SALEABLE	NOT APPLICABLE	34566-5153	0	A	BLACK			70	69						63	62	61	60		58	57	56	55	54	53			
						52	51		49		47			44	43	42	41			37	36	35	34	33				
						73				32			29	28	27	26	25							19	18			
										16	15		13	12	11	10									3			
SALEABLE	NOT APPLICABLE	34566-5163	9	A	BLACK	72			69		67		65		63			60		57	56			53				
									49		47			44	43			40			37	36	35			33		
						73					31	30	29	28				24			21	20					17	
										16	15	14			11	10					5	4	3	2	1			
SALEABLE	NOT APPLICABLE	34566-5173	9	B	ST GRAY					68	67			64	63			59		57								
												46	45		43			39		37								
						73				32		30	29	28	27					21								
																10				6	5	4	3					
SALEABLE	NOT APPLICABLE	34566-5183	0	B	ST GRAY					68	67			64				59	58				54					
												46	45	44				39	38									
						73				32		30	29	28	27				23	22							17	
														12		10		8										1
SALEABLE	NOT APPLICABLE	34566-5193	0	A	BLACK			70	69						63	62	61	60		58	57	56	55	54	53			
						52	51		49				44	43	42	41				37	36			34				
						73				32			29	28	27	26								19	18	17		
										16	15		13	12	11	10								3	2	1		
SALEABLE	NOT APPLICABLE	34566-5213	0	A	BLACK	72	71	70	69	68	67	66	65	64	63	62	61	60	59				55	54	53			
						52			49	48				44	43	42	41	40	39					35	34	33		
						73				32			29		27		25	24	23					19	18	17		
										16			13	12	11		9	8	7	6	5	4	3	2	1			
SALEABLE	NOT APPLICABLE	34566-5223	0	C	BLUE	72		70			67	66			63	62			59		57				53			
						52	51			48		46		44		42		40	39						34	33		
						73				32		30			27	26	25		22	21								
											15	14				10	9			6	5	4						

MX123 52/66/73/80-WAY RECEPTACLE ASSY SEALED PIN OUT SHEET

STATUS	GM PART #	HRNS CONN ASSY			TPA	GROMMET CAP																						
		MATERIAL/PART	WIRE DRESS OPTION	KEY OPTION Fp	COLOR OPTION Fp	NUMBERS INDICATE CAVITIES OPEN FOR CIRCUITS																						
		NUMBER				Fp																						
SALEABLE	NOT APPLICABLE	34566-5233	0	C	BLUE	72		70		68	67	66			63	62			59		57	56	55		53			
						52	51			48	47	46		44		42		40	39	38		22	21		19	18	34	33
						73				32		30				26	25			22	21			19	18			
SALEABLE	NOT APPLICABLE	34566-5243	0	C	BLUE	72	71	70	69	68	67	66	65		63	62	61		59	58	57	56	55	54	53			
							51	50	49	48		46	45	44	43	42	41	40	39	38		36	35	34	33			
						73				31	30	29	28	27	26	25			22	21	20	19	18	17				
SALEABLE	NOT APPLICABLE	34566-5253	0	B	ST GRAY					67	66			63			59	58	57	56	55		53					
								50	49	48		46	45		43			39	38	37	36	35	34	33				
						73						29	28	27				23	22	21			18					
SALEABLE	NOT APPLICABLE	34566-5263	0	B	ST GRAY					67	66			63			59	58	57	56	55		53					
								50	49	48		46	45		43			39	38	37	36	35	34	33				
						73						29	28	27				23	22	21			18					
SALEABLE	NOT APPLICABLE	34566-5273	0	A	BLACK			70	69					63	62	61	60		58	57	56	55	54	53				
						52	51		49				44	43	42	41				37	36		34					
						73				32		29	28	27	26			23				19	18					
SALEABLE	NOT APPLICABLE	34566-5283	0	C	BLUE	72		70		68	67	66			63	62	61	60		59		57	56	55	54	53		
						52	51			48	47	46		44		42		40	39						34	33		
						73				32		30				26	25			22	21			19	18			
SALEABLE	NOT APPLICABLE	34566-5293	0	A	BLACK			70	69					63	62	61	60		58	57	56	55	54	53				
						52	51		49				44	43	42	41	40			37	36		34					
						73				32		29	28	27	26			23				19	18	17				
SALEABLE	NOT APPLICABLE	34566-5313	0	C	BLUE	72		70		68	67	66			63	62			59		57	56	55		53			
						52	51			48	47	46		44		42		40	39	38	37	36		34	33			
						73				32		30			27	26	25	24		22	21			19	18			
SALEABLE	NOT APPLICABLE	34566-5323	0	G	BLUE	80		78	77		75	74	73	72		70	69		67		65	64	63	62				
						60		58	57		55	54		52	51	50	49		47		45							
						40		38	37				33	32	31				27	26	25	24						
SALEABLE	NOT APPLICABLE	34566-5333	0	A	BLACK	72	71	70		68	67	66	65	64	63	62		60	59							53		
							51		49	48	47	46	45	44	43		41	40										
						73						30	29	28		26	25	24				20						17
SALEABLE	NOT APPLICABLE	34566-5343	0	B	ST GRAY					68	67			64			59	58						54				
												46	45					39	38									
						73				32		30	29	28	27				23	22								17
SALEABLE	NOT APPLICABLE	34566-5353	9	B	ST GRAY					68	67			64	63			59	58			55	54					
												46	45	44	43			39	38			35	34					
						73				32		30	29	28	27				23	22			19					17
SALEABLE	NOT APPLICABLE	34566-5363	0	C	BLUE	72		70		68		66			63	62			59		57				53			
						52	51			48	47	46		44		42		40	39	38					34	33		
						73				32		30				26	25			22	21							
SALEABLE	NOT APPLICABLE	34566-5373	0	C	BLUE	72		70		68		66			63	62			59		57				53			
						52	51			48	47	46		44		42		40	39						34	33		
						73				32		30				26	25			22	21							
SALEABLE	NOT APPLICABLE	34566-5383	0	C	BLUE	72		70		68		66			63	62			59		57				53			
						52	51			48	47	46		44		42		40	39			37	36		34	33		
						73				32		30				26	25	24		22	21							2

MX123 52/66/73/80-WAY RECEPTACLE ASSY SEALED PIN OUT SHEET

STATUS	GM PART #	HRNS CONN ASSY			TPA	GROMMET CAP																						
		MATERIAL/PART	WIRE DRESS OPTION	KEY OPTION Fp	COLOR OPTION Fp	NUMBERS INDICATE CAVITIES OPEN FOR CIRCUITS																						
		NUMBER				Fp																						
SALEABLE	NOT APPLICABLE	34566-5393	0	A	BLACK	70	69															56	55	54	53			
						52	51		49					44	43	42	41							36			34	
						73				32				28		26			23			21			19	18		
SALEABLE	NOT APPLICABLE	34566-5413	0	A	BLACK	70	69															56	55	54	53			
						52	51		49					44	43	42	41						36			34		
						73				32				28		26			23			21			19	18		
SALEABLE	NOT APPLICABLE	34566-5423	0	A	BLACK	70	69															56	55	54	53			
						52	51		49					44	43	42	41						36			34		
						73				32				28		26			23			21			19	18		
SALEABLE	NOT APPLICABLE	34566-5433	9	B	ST GRY					68	67			64							59	58		54				
												46	45							39	38							
						73				32		30	29	28	27				23	22								17
SALEABLE	NOT APPLICABLE	34566-5443	9	B	ST GRY					68	67			64							59	58		54				
												46	45						39	38								
						73				32		30	29	28	27				23	22								17
SALEABLE	NOT APPLICABLE	34566-5453	0	B	ST GRY					68	67			64							59	58		54				
												46	45						39	38								
						73				32		30	29	28	27				23	22								17
SALEABLE	NOT APPLICABLE	34566-5463	0	A	BLACK	72		70																				
						52			49								41											
						73				16	15	14		12		10			6									
SALEABLE	NOT APPLICABLE	34566-5473	0	A	BLACK	72	71	70		68	67	66	65	64	63	62		60	59			56			53			
						52	51			48	47	46	45	44	43	42	41	40										
						73				16	15	14		12	11	10			6									17
SALEABLE	NOT APPLICABLE	34566-5483	0	B	ST GRY	72		70		68		66		64	63			60	59					55	54	53		
						52		50		48		46						40	39							35	34	33
						73				32	31	30	29	28	27	26	25	24							20			
SALEABLE	NOT APPLICABLE	34566-5493	0	A	BLACK	72		70	69																			
						52	51		49					44	43	42	41	40						37	36		34	
						73				32				28		26											19	18
SALEABLE	NOT APPLICABLE	34566-5513	9	B	ST GRY					68	67			64							58			55				
												46	45			43				38						35		
						73				32		30	29	28	27				22								19	
SALEABLE	NOT APPLICABLE	34566-5523	9	A	BLACK	72			69			67	66	65		63			60				57	56		53		
									49					44	43	42		40						37	36	35		33
						73				16	15	14	13		11	10								5	4	3	2	1
SALEABLE	NOT APPLICABLE	34566-5533	9	B	ST GRY					68	67			64						59	58			54				
												46	45						39	38								
						73				32		30	29	28	27				23	22								
SALEABLE	NOT APPLICABLE	34566-5543	9	A	BLACK					68	67			64							59	58		54				
												46	45						39	38								
						73				32		30	29	28	27				23	22								
SALEABLE	NOT APPLICABLE	34566-5553	9	B	ST GRY					68	67			64							59	58		54				
												46	45						39	38								
						73				32		30	29	28	27				23	22								

MX123 52/66/73/80-WAY RECEPTACLE ASSY SEALED PIN OUT SHEET

STATUS	GM PART #	HRNS CONN ASSY			TPA	GROMMET CAP																						
		MATERIAL/PART	WIRE DRESS OPTION	KEY OPTION Fp	COLOR OPTION Fp	NUMBERS INDICATE CAVITIES OPEN FOR CIRCUITS																						
		NUMBER				Fp																						
SALEABLE	NOT APPLICABLE	34566-5563	0	A	BLACK	72	71	70	69					64	63			60	59	58	57	56	55	54	53			
						52	51		49	48	47		45	44	43	42	41							36				
						73				32		30		28		26										19	18	17
SALEABLE	NOT APPLICABLE	34566-5573	0	C	BLUE	72		70		68		66			63	62			59	58	57	56	55		53			
						52	51		49	48	47	46		44		42		40	39	38	37	36			34	33		
						73				32		30				26	25	24	23	22	21	20	19	18	17			
SALEABLE	NOT APPLICABLE	34566-5583	0	B	ST GRAY	72		70		68		66		64	63			60	59					55	54	53		
						52		50		48		46					40	39							35	34	33	
						73				32	31	30	29	28	27	26	25	24	23			20						17
SALEABLE	NOT APPLICABLE	34566-5593	0	C	BLUE	72		70		68		66			63	62			59	58	57			55	54	53		
						52	51			48	47	46		44		42		40	39							34	33	
						73				32		30				26	25		23	22	21							
SALEABLE	NOT APPLICABLE	34566-5613	0	C	BLUE	72		70		68		66			63	62			59	58	57			55	54	53		
						52	51			48	47			44		42		40	39		37	36				34	33	
						73				32		30			27	26	25	24	23	22	21	20						17
SALEABLE	NOT APPLICABLE	34566-5623	0	C	BLUE	72		70		68		66			63	62			59	58	57			55	54	53		
						52	51			48	47			44		42		40	39		37	36				34	33	
						73				32		30			27	26	25	24	23	22	21	20						17
SALEABLE	NOT APPLICABLE	34566-5633	0	B	ST GRAY	72										62	61											
						52				48		46		44	43		41	40								20	19	18
						73				16	15	14														4		
SALEABLE	NOT APPLICABLE	34566-5643	0	B	ST GRAY	72										62	61											
						52				48		46			43		41	40										
						73				16	15	14															20	19
SALEABLE	NOT APPLICABLE	34566-5653	0	A	BLACK	72	71	70	69	68		66	65	64	63		61	60			57	56			54	53		
						52	51	50	49	48		46	45	44	43		41	40	39	38	37	36				34	33	
						73				32	31	30	29	28		26	25		23	22	21							
SALEABLE	NOT APPLICABLE	34566-5663	0	C	BLUE				69		67	66	64		62		60			57			55	54				
						52	51	50		48		46	45	44		42						37			35	34	33	
						73				32	31			28	27	26										19	18	
SALEABLE	NOT APPLICABLE	34566-5673	0	C	BLUE				69		67	66	64		62		60			57			55	54				
						52	51	50	49	48		46	45	44		42		41				37			35	34	33	
						73				32	31			28	27	25											18	
SALEABLE	NOT APPLICABLE	34566-5683	0	B	ST GRAY	72										62	61											
						52				48		46		44	43		41	40								20	19	18
						73				16		14														4		
SALEABLE	NOT APPLICABLE	34566-5693	0	A	BLACK	72	71	70	69	68		66	65	64	63		61	60			57	56			54	53		
						52	51	50	49	48		46	45	44	43		41	40	39	38	37	36				34	33	
						73				32	31	30	29	28		26	25		23	22	21	20						
SALEABLE	NOT APPLICABLE	34566-5713	0	C	BLUE				69		67	66	64		62		60			57			55	54				
						52	51	50		48		46	45	44		42						37			35	34	33	
						73				32	31			28	27	26											19	18
SALEABLE	NOT APPLICABLE	34566-5723	0	C	BLUE				69		67	66	64		62		60			57			55	54				
						52	51	50	49	48		46	45	44		42		41				37			35	34	33	
						73				32	31			28	27	25											18	

MX123 52/66/73/80-WAY RECEPTACLE ASSY SEALED PIN OUT SHEET

STATUS	GM PART #	HRNS CONN ASSY			TPA	GROMMET CAP																							
		MATERIAL/PART	WIRE DRESS OPTION	KEY OPTION Fp	COLOR OPTION Fp	NUMBERS INDICATE CAVITIES OPEN FOR CIRCUITS																							
		NUMBER				Fp																							
SALEABLE	NOT APPLICABLE	34566-5733	0	A	BLACK	52	71	70	69						64	63			60	59	58	57	56	55	54	53			
									49				45	44	43	42	41										36	34	33
						73				32		30			28		26											19	18
SALEABLE	NOT APPLICABLE	34566-5743	0	A	BLACK	52	71	70	69						64	63			60	59		57	56	55	54	53			
									49				45	44	43	42	41										36	34	33
						73				32		30			28		26											19	18
SALEABLE	NOT APPLICABLE	34566-5753	0	A	BLACK	52	71	70	69						64	63			60	59		57	56	55	54	53			
									49				45	44	43	42	41										36	34	33
						73				32		30			28		26											19	18
SALEABLE	NOT APPLICABLE	34566-5763	0	C	BLUE	72		70		68		66			63	62			59	58	57					53			
						52	51			48	47	46		44		42		40	39								36	34	33
						73				32		30			27	26	25	24										20	18
SALEABLE	NOT APPLICABLE	34566-5773	0	C	BLUE	72		70		68		66			63	62			59	58	57					53			
						52	51			48	47			44		42		40	39								36	34	33
						73				32		30			27	26	25	24										20	18
SALEABLE	NOT APPLICABLE	34566-5783	0	C	BLUE	72		70		68		66			63	62			59	58	57					53			
						52	51			48	47			44		42		40	39								36	34	33
						73				32		30			27	26	25	24										20	18
SALEABLE	NOT APPLICABLE	34566-5793 SAME AS P/N 34566-4013	0	B	ST GRN	72		70		68		66				60	59								55	54	53		
						52		50		48		46				40	39										35	34	33
						73				32	31	30	29	28	27	26	25	24										19	18
SALEABLE	NOT APPLICABLE	34566-5813	0	B	ST GRN	72		70		68		66				60	59								55	54	53		
						52		50		48		46				40	39										35	34	33
						73				32	31	30	29	28	27	26	25	24	23									19	18
SALEABLE	NOT APPLICABLE	34566-5823	0	A	BLACK	72		70							63														
						52			49						43		41												
						73					31	30		28	27	26												20	19
SALEABLE	NOT APPLICABLE	34566-5833	0	A	BLACK	72		70							63														
						52			49						43		41												
						73					31	30		28	27	26												20	19
SALEABLE	NOT APPLICABLE	34566-5843	0	H	ST GRN		79																						
							59		57				74	73	72	71			68	67			65	64	63	62	61		
								38					34	33					29	27			25						
SALEABLE	NOT APPLICABLE	34566-5853	0	H	ST GRN		79																						
							59		57				74	73	72	71			68	67			65	64	63	62	61		
								38					34	33					29	27			25						
SALEABLE	NOT APPLICABLE	34566-5863	0	C	BLUE	72		70				66			63	62			59		57	56	55		53				
						52	51					46	44		42		40	39								36	34	33	
						73				32		30				26	25										19	18	
SALEABLE	NOT APPLICABLE	34566-5873	0	B	ST GRN	72																							
						52				48	47	46		44	43		41	40									20	19	18
						73				16	15	14																4	
SALEABLE	NOT APPLICABLE	34566-5883	0	B	ST GRN	72										62	61												
						52				48	47	46		43		41	40										20	19	18
						73				16	15	14																4	

MX123 52/66/73/80-WAY RECEPTACLE ASSY SEALED PIN OUT SHEET

STATUS	GM PART #	HRNS CONN ASSY			TPA	GROMMET CAP																					
		MATERIAL/PART	WIRE DRESS OPTION	KEY OPTION Fp	COLOR OPTION Fp	NUMBERS INDICATE CAVITIES OPEN FOR CIRCUITS																					
		NUMBER				Fp																					
SALEABLE	NOT APPLICABLE	34566-5893	0	C	BLUE	52	51	50	69	48	67	66	45	44	62	60	57	55	54	33	34	35	18	19			
						73			32	28	27	26	11	10	9												
						16	15	14	13	12	11	10	9														
SALEABLE	NOT APPLICABLE	34566-5913	0	C	BLUE	52	51	50	49	68	67	66	64	61	60	57	54	33	34	35	18	19	20	21			
						73			32	28	27	25	24	23	22	21											
						16	15	14	13	12	11	10	9														
SALEABLE	NOT APPLICABLE	34566-5933	0	C	BLUE	72	71	70	69	68	67	66	64	63	62	59	57	56	55	53	33	34	35	18	19		
						52	51			48	47	46	44	42	40	39											
						73			32	30			26	25	23	22	21										
SALEABLE	NOT APPLICABLE	34566-5943	0	C	BLUE	72	71	70		68	67	66		63	62	59	57	56	55	53	33	34	35	18			
						52	51		49	48	47	46	44	42	40	39											
						73			32	30			27	26	25		22	21	20								
SALEABLE	NOT APPLICABLE	34566-5953	0	A	BLACK	71	70	69		65	64	63	62	61	60	58	57	56	55	54	53	33	34	35			
						52	51		49	48	47		45	44	43	42	41										
						73			32	30	29	28	27	26		24											
SALEABLE	NOT APPLICABLE	34566-5963	0	B	ST GRAY	72	71	70		68	67	66		62	61	60	59	58	57	56	55	54	53	33			
						52	51	50		48	47	46		42	41	40	39	38	37	36	35	34	33	18	19	20	
						73			32	31	30	29	28	27	26	25	24										
SALEABLE	NOT APPLICABLE	34566-5973	0	C	BLUE	72	71	70		68	67	66		63	62	59	57	56	55	53	33	34	35	18			
						52	51			48	47	46	44	42	40	39											
						73			32	30			27	26	25		22	21	20								
SALEABLE	NOT APPLICABLE	34566-5983	0	C	BLUE	52	51	50	69	48	67	66	64	62	60	57	55	54	33	34	35	18	19	20			
						73			32			28	27	26													
						16	15	14	13	12	11	10	9														
SALEABLE	NOT APPLICABLE	34566-5993	0	A	BLACK	71	70	69		67	66	65	63	62	61	60	58	57	56	55	54	53	33	34			
						52	51	50	49	48	47		45	44	43	42	41	40	39	37	36	35	34	17	18	19	
						73			32	31	30	29	28	27	26	25	24	23		21	20	19	18	17	1	2	3
SALEABLE	NOT APPLICABLE	34566-6013	0	B	ST GRAY	51	50	49	69	48	67	65		61	60	59	58	57	54	53	33	34	35	18			
						72	71	70		68	67		44	43		40	39	37									
						73			32	31	30	29		26		24	23	22	21	20							
SALEABLE	NOT APPLICABLE	34566-6023	0	A	BLACK	72	71	70	69	68	67			63	62	61	60	59	58	57	56	55	54	53			
						52	51	50	49	48	47		45	44	43		40	39	38	37	36	35	34	33	17	18	
						73			32	31	30	29	28		24	23	22	21	20	19	17	1	2	3	4	5	6
SALEABLE	NOT APPLICABLE	34566-6033	0	A	BLACK	70	69						63	62	61		58	57	56	55	54	53	33	34			
						52	51		49	48			44	43	42	41			37	36							
						73			32		29	28	27	26		8		5	3								
SALEABLE	NOT APPLICABLE	34566-6043	0	B	ST GRAY	68	67	66	65	64					58		55										
						52	51			48	47	46	45					38		35							
						73			32		30	29	28	27		22		19		17							
SALEABLE	NOT APPLICABLE	34566-6053	0	B	ST GRAY	72	71	70		68	67	66	65	64	62	61	60	57	55	54	33	34	35	18	19		
						52	51			48	47	46		43	41	40											
						73			32		30																
SALEABLE	NOT APPLICABLE	34566-6063	0	C	BLUE	52	51	50	69	48	67	66	64	62	60	57	55	54	33	34	35	18	19	20			
						73			32			28	27	26													
						16	15	14	13	12	11	10	9														

MX123 52/66/73/80-WAY RECEPTACLE ASSY SEALED PIN OUT SHEET

STATUS	GM PART #	HRNS CONN ASSY			TPA	GROMMET CAP																															
		MATERIAL/PART	WIRE DRESS OPTION	KEY OPTION Fp	COLOR OPTION Fp	NUMBERS INDICATE CAVITIES OPEN FOR CIRCUITS																															
		NUMBER				Fp																															
SALEABLE	NOT APPLICABLE	34566-6073	0	C	BLUE	52	51	50	69	48	67	66	45	64	61	60	57	54	34	33	73																
						32	28	27	25	18	17																										
						16	15	14	13	12	11	10	9	2	1																						
SALEABLE	NOT APPLICABLE	34566-6083	0	C	BLUE	72	71	70	68	67	66	63	62	59	57	53	73																				
						52	51	48	47	46	44	42	40	39	37	36	34	33																			
						32	30	26	25	22	21	2	1																								
SALEABLE	NOT APPLICABLE	34566-6093	0	B	ST GRAY	72	71	70	67	66	63	62	61	60	59	20	19	18	73																		
						52	46	43	41	40	4	3	2																								
						16	14	11	4																												
SALEABLE	NOT APPLICABLE	34566-6113	0	A	BLACK	72	71	70	69	68	66	65	64	63	62	61	60	58	57	56	55	54	53	73													
						52	51	50	49	48	46	45	44	43	42	41	40	39	38	37	36	34	33														
						32	31	30	29	28	27	26	25	23	22	21	20	19	18	2	1																
SALEABLE	NOT APPLICABLE	34566-6123	0	C	BLUE	52	51	50	69	48	67	66	45	64	62	60	57	54	34	33	73																
						32	28	27	26	2	1																										
						16	15	14	13	12	11	10	9	8	7	6	5	4	3	2	1																
SALEABLE	NOT APPLICABLE	34566-6133	9	C	BLUE	72	71	70	68	67	66	63	62	59	57	53	73																				
						52	51	48	47	44	42	40	39	38	37	36	34	33																			
						32	30	26	25	24	22	21	2	1																							
SALEABLE	NOT APPLICABLE	34566-6173	9	B	ST GRAY	48	47	41	19	18	17	73																									
						32	31	30	29	27	26	25	24	22	21	19	18	17																			
						16	15	14	13	11	10	9	8	7	6	5	4	3	2	1																	
SALEABLE	NOT APPLICABLE	34566-6183	9	A	BLACK	48	47	41	19	18	17	73																									
						32	31	30	29	27	26	25	24	22	21	19	18	17																			
						16	15	14	13	11	10	9	8	7	6	5	4	3	2	1																	
SALEABLE	NOT APPLICABLE	34566-6193	9	B	ST GRAY	72	71	70	69	68	67	66	65	64	62	61	60	59	58	57	56	55	54	73													
						52	51	50	49	48	47	46	44	41	40	38	37	36	18	17																	
						32	31	30	29	28	27	26	25	24	21	20	2	1																			
SALEABLE	NOT APPLICABLE	34566-6213	9	A	BLACK	48	47	41	19	18	17	73																									
						32	31	30	29	27	26	25	24	22	21	19	18	17																			
						16	15	14	13	11	10	9	8	7	6	5	4	3	2	1																	
SALEABLE	NOT APPLICABLE	34566-6223	9	C	BLUE	72	71	70	68	67	66	63	62	59	57	53	73																				
						52	51	48	47	46	44	40	39	37	36	34	33																				
						32	30	27	26	25	22	21	20	2	1																						
SALEABLE	NOT APPLICABLE	34566-6233	9	B	ST GRAY	72	71	70	68	67	66	60	59	55	54	53	73																				
						52	50	48	47	46	44	40	39	35	34	33																					
						32	31	30	29	28	27	26	25	24	10	8	2	1																			
SALEABLE	NOT APPLICABLE	34566-6243	9	A	BLACK	71	70	69	64	63	60	59	58	57	56	55	54	53	73																		
						52	51	50	49	45	44	43	42	41	39	37	36	34																			
						32	30	28	26	2	1																										
SALEABLE	NOT APPLICABLE	34566-6253	9	C	BLUE	72	71	70	68	67	66	63	62	59	57	53	73																				
						52	51	49	48	47	46	44	40	39	37	36	34	33																			
						32	30	27	26	25	24	22	21	20	6	5	4	2	1																		
SALEABLE	NOT APPLICABLE	34566-6263	9	B	ST GRAY	72	71	70	68	67	66	62	61	60	59	58	57	56	55	54	53	73															
						52	51	50	48	47	46	42	41	40	39	38	37	36	35	34	33																
						32	31	30	29	28	27	26	25	24	10	8	3	2	1																		

MX123 52/66/73/80-WAY RECEPTACLE ASSY SEALED PIN OUT SHEET

STATUS	GM PART #	HRNS CONN ASSY			TPA	GROMMET CAP																						
		MATERIAL/PART	WIRE DRESS OPTION	KEY OPTION Fp	COLOR OPTION Fp	NUMBERS INDICATE CAVITIES OPEN FOR CIRCUITS																						
		NUMBER				Fp																						
SALEABLE	NOT APPLICABLE	34566-6273	9	B	ST GRY	71	70	69				65	64	63	62	61	60		58	57	56	55	54	53				
						52	51	50	49	48	47		45	44	43	42	41		39					36				
						73			32		30	29	28	27	26			24							19	18		
SALEABLE	NOT APPLICABLE	34566-6283	9	C	BLUE	72		70		68	67	66			63	62			59		57				53			
						52	51			48	47	46		44				40	39							34	33	
						73			32		30			27	26	25			22	21								
SALEABLE	NOT APPLICABLE	34566-6293	9	B	ST GRY	72	71	70		68	67	66			62	61	60	59	58	57	56	55	54	53				
						52	51	50		48	47	46			42	41	40	39	38	37	36	35	34	33				
						73			32	31	30	29	28	27	26	25	24											17
SALEABLE	NOT APPLICABLE	34566-6313	9	B	ST GRY			70	69					63	62	61	60		58	57	56	55	54	53				
						52	51	50	49					44	43	42	41		39							34		
						73			32			29	28	27	26											19	18	
SALEABLE	NOT APPLICABLE	34566-6323	9	B	ST GRY		71	70	69					64	63			60	59	58	57	56	55	54	53			
						52	51	50	49				45	44	43	42	41		39								34	
						73			32		30			28		26											19	18
SALEABLE	NOT APPLICABLE	34566-6333	9	C	BLUE	72		70		68	67	66			63	62			59		57	56	55	54	53			
						52	51			48	47	46		44				40	39								34	33
						73			32		30			27	26	25			22	21						19	18	
SALEABLE	NOT APPLICABLE	34566-6343	9	A	BLACK			70	69					63	62	61	60		58	57	56	55	54	53				
						52	51	50	49				44	43	42	41	40	39								34		
						73			32			29	28	27	26											19	18	17
SALEABLE	NOT APPLICABLE	34566-6353	9	C	BLUE	72		70		68		66			63	62			59	58	57	56	55	54	53			
						52	51			48	47	46		44				40	39								34	33
						73			32		30			27	26	25			23	22	21	20						17
SALEABLE	NOT APPLICABLE	34566-6363	9	B	ST GRY	72		70		68		66					60	59					55	54	53			
						52		50		48		46					40	39							35	34	33	
						73			32	31	30	29	28	27	26	25	24	23								19	18	17
SALEABLE	NOT APPLICABLE	34566-6373	9	A	BLACK		71	70	69		67			64	63			60	59	58	57	56	55	54	53			
						52	51	50	49		47		45	44	43	42	41	40	39							34		
						73			32		30		28		26			23		21						19	18	17
SALEABLE	NOT APPLICABLE	34566-6383	9	A	BLACK	72	71	70	69	68		66	65	64	63		61	60			57	56		54	53			
						52	51	50	49	48		46	45	44	43	42	41	40	39	38	37	36				34	33	
						73			32	31	30	29	28					23	22	21								
SALEABLE	NOT APPLICABLE	34566-6393	9	C	BLUE		71	70	69		67	66	65	64		62	61	60		58	57		55	54				
						52	51	50	49	48	47	46	45	44		42	41		38	37					35	34	33	
						73			32			28	27	26	25											19	18	17
SALEABLE	NOT APPLICABLE	34566-6413	9	B	ST GRY	72				68	67				63	62	61	60	59				55					
						52				48	47	46		44	43		41	40								36	35	
						73					30			27												20	19	18
SALEABLE	NOT APPLICABLE	34566-6423	9	C	BLUE			70	69		67	66	65	64								56		54				
						52	51	50	49		47	46	45	44				39	38								34	
						73					31	30	29	28		26	25		23	22	21							
SALEABLE	NOT APPLICABLE	34566-6433	9	A	BLACK	72		70			67				63			60	59	58	57	56	55					
						52	51			48	47	46			43	42		40	39	38	37	36	35					
						73								28	27			9		7							18	17

MX123 52/66/73/80-WAY RECEPTACLE ASSY SEALED PIN OUT SHEET

STATUS	GM PART #	HRNS CONN ASSY			TPA	GROMMET CAP																						
		MATERIAL/PART	WIRE DRESS OPTION	KEY OPTION Fp	COLOR OPTION Fp	NUMBERS INDICATE CAVITIES OPEN FOR CIRCUITS																						
		NUMBER				Fp																						
SALEABLE	NOT APPLICABLE	34566-6443	9	B	ST GRAY	72	71	70	69	68	67	66	65	64	63		61	60			57	56	55					
						52	51	50	49	48	47	46	45	44	43		26	25	24	23	22	21	20	19	18	17		
						73				32	31	30	29	28		11		9	8	7	6	5	4	3	2	1		
SALEABLE	NOT APPLICABLE	34566-6453	0	C	BLUE		71	70	69		67		65	64		62	61	60			57			54				
						52	51	50	49	48	47	46	45	44		42	41				37				34	33		
						73				32				28	27	26	25									18	17	
SALEABLE	NOT APPLICABLE	34566-6463	0	B	ST GRAY	72				68	67					62	61							55				
						52				48	47	46			43										20	19	18	
						73						30										8			4		2	
SALEABLE	NOT APPLICABLE	34566-6473	9	C	BLUE			70	69		67	66		64		62		60			57		55	54				
						52	51	50		48		46	45	44		42					37				35	34	33	
						73				32				28	27	26										19	18	17
SALEABLE	NOT APPLICABLE	34566-6483	9	A	BLACK	72	71	70	69	68		66	65	64	63		61	60			57	56		54	53			
						52	51	50	49	48		46	45	44	43			40	39	38	37	36			34	33		
						73				32	31	30	29	28		26	25		23	22	21	20					2	
SALEABLE	NOT APPLICABLE	34566-6493	9	B	ST GRAY	72			70							62	61							55				
						52				48	47	46			43			41	40							20	19	18
						73						30													4		2	
SALEABLE	NOT APPLICABLE	34566-6513	0	B	ST GRAY	72				68	67					62	61						55	54				
						52						46			43			40							20	19	18	17
						73				16	15	14							8						4	3	2	
SALEABLE	NOT APPLICABLE	34566-6523	0	B	ST GRAY					68	67			64					59	58				54				
												46	45						39	38								
						73				32		30	29	28	27				23	22							17	
SALEABLE	NOT APPLICABLE	34566-6533	9	B	ST GRAY					68	67			64														
												46	45															
						73				32		30	29	28	27												17	
SALEABLE	NOT APPLICABLE	34566-6543	9	A	BLACK	72	71	70	69	68		66	65	64	63		61	60			57	56		54	53			
						52	51	50	49	48		46	45	44	43			40	39	38	37	36			34	33		
						73				32	31	30	29	28		26	25		23	22	21	20					2	
SALEABLE	NOT APPLICABLE	34566-6553	9	A	BLACK	72	71	70	69		67		64	63			60	59	58	57	56	55	54	53				
						52	51	50	49		47		45	44	43	42	41	40	39		37	36			34			
						73				32		30		28		26								19	18	17		
SALEABLE	NOT APPLICABLE	34566-6563	9	C	BLUE	72			70		68		66		63	62			59	58	57				53			
						52	51			48	47	46		44				40	39							34	33	
						73				32		30			27	26	25		23	22	21	20					17	
SALEABLE	NOT APPLICABLE	34566-6573	9	A	BLACK					68	67			64														
												46	45															
						73				32		30		28		26			23		21		19	18				
SALEABLE	NOT APPLICABLE	34566-6583	9	A	BLACK				70	69					63	62	61	60		58	57	56	55	54	53			
						52	51	50	49					44	43	42	41	40	39		37	36			34			
						73				32			29	28	27	26										19	18	
SALEABLE	NOT APPLICABLE	34566-6593	0	C	BLUE				69		67			64		62		60			57		55	54				
						52	51	50		48		46	45	44		42					37			35	34	33		
						73				32				28	27	26								20	19	18	17	

MX123 52/66/73/80-WAY RECEPTACLE ASSY SEALED PIN OUT SHEET

STATUS	GM PART #	HRNS CONN ASSY			TPA	GROMMET CAP																						
		MATERIAL/PART	WIRE DRESS OPTION	KEY OPTION Fp	COLOR OPTION Fp	NUMBERS INDICATE CAVITIES OPEN FOR CIRCUITS																						
		NUMBER				Fp																						
SALEABLE	NOT APPLICABLE	34566-6613	0	A	BLACK	72	71	70	69			66		64	63		61	60			57	56		54	53			
						52	51	50	49			46	45	44	43		26	25		23	22	21				34	33	
						73				32	31	30	29	28					9		7	6	5				2	1
SALEABLE	NOT APPLICABLE	34566-6623	9	B	ST GRY					68	67			64					59	58			54					
												46	45						39	38								
						73				32		30	29	28	27					23	22							17
SALEABLE	NOT APPLICABLE	34566-6633	9	C	BLUE				69		67	66		64		62		60			57			54				
						52	51	50		48		46	45	44		42						37				34	33	
						73								28	27	26												
SALEABLE	NOT APPLICABLE	34566-6643	9	C	BLUE		71			68	67		65	64	63		61	60		58	57			54				
						52	51	50		48			45		43		41				38	37				34	33	
						73								28	27		25											18
SALEABLE	NOT APPLICABLE	34566-6653	9	B	ST GRY	72				68						62	61	60	59					55				
						52				48	47	46		44	43		41	40		38	37	36	35					
						73						30										20	19	18				
SALEABLE	NOT APPLICABLE	34566-6663	9	A	BLACK					68			65	64	63		60			57	56			54				
						52	51	50	49	48		46	45	44	43	42		40	39	38	37	36				34		
						73				32	31	30	29	28			26	25		23	22	21	20					2
SALEABLE	NOT APPLICABLE	34566-6673	9	B	ST GRY	72	71	70	69	68	67	66	65	64	63		61	60	59		57	56	55					
						52	51	50	49	48	47	46	45	44	43		41	40	39	38	37	36	35	34	33			
						73				32	31	30	29	28			26		24	23	22	21	20	19	18	17		
SALEABLE	NOT APPLICABLE	34566-6683	9	A	BLACK			70			67					63		60	59	58	57							
						52				48	47	46			43	42		40	39	38	37							
						73				32	31	30	29	28	27						22	21						2
SALEABLE	NOT APPLICABLE	34566-6693	9	C	BLUE	72	71	70	69		67	66	65	64							56			54				
						52	51	50	49		47	46	45	44					39	38					34			
						73						31	30	29	28			26	25	24	23	22	21					17
SALEABLE	TBD	34822-0063	9	A	BLACK		63	62	61	60	59					54	53		51		49		66					
							47									38	37		35		33							
						65								28				25			22	21	20	19	18	17		
SALEABLE	NOT APPLICABLE	34566-6713	9	A	BLACK	72	71	70	69	68			66	65	64	63		61	60		57	56			54	53		
						52	51	50	49	48		46	45	44	43	42	41	40	39	38	37	36				34	33	
						73				32	31	30	29	28			26	25		23	22	21						2
SALEABLE	NOT APPLICABLE	34566-6723	0	H	ST GRY		79						74	73					67		65	64	63	62	61			
							59							53	52							25		44	43	42	41	
								38						33								27						
SALEABLE	NOT APPLICABLE	34566-6733	0	G	BLUE				78	77		75	74		72		70				64	63						
						60		58	57		55	54		52	51	50	49		47		45							
						40	39	38	37				33	32	31					27	26							
SALEABLE	NOT APPLICABLE	34566-6743	9	C	BLUE																							
						52	51	50	49	48	47	46	45	44	43	42	41	40	39	38	37	36				34	33	
						73				16	15	14	13	12	11	10	9	8	7									
SALEABLE	NOT APPLICABLE	34566-6753	9	A	BLACK	72	71	70	69	68			66	65	64		61	60			57	56			54	53		
						52	51	50	49	48		46	45	44	43	42		40	39	38	37	36				34	33	
						73						31	30	29	28						23	22	21	20				

MX123 52/66/73/80-WAY RECEPTACLE ASSY SEALED PIN OUT SHEET

STATUS	GM PART #	HRNS CONN ASSY			TPA	GROMMET CAP																						
		MATERIAL/PART	WIRE DRESS OPTION	KEY OPTION Fp	COLOR OPTION Fp	NUMBERS INDICATE CAVITIES OPEN FOR CIRCUITS																						
		NUMBER				Fp																						
SALEABLE	NOT APPLICABLE	34566-6933	9	B	ST GRAY	72				68	67				63	62	61	60	59				55		53			
						52				48	47	46		44	43		41	40				38	37	36	35			
						73						30			27							22	21	20	19	18	17	
SALEABLE	NOT APPLICABLE	34566-6943	9	A	BLACK	72	71	70	69	68		66	65	64	63		61	60				57	56		54	53		
						52	51	50	49	48		46	45	44	43	42	41	40	39	38	37	36				34	33	
						73				32	31	30	29	28							23	22	21					
SALEABLE	NOT APPLICABLE	34566-6953	0	A	BLACK	72	71	70	69			66	65	64	63		61	60				57	56		54	53		
						52	51	50	49			46	45	44	43			40	39	38	37	36				34	33	
						73				32	31	30	29	28			26	25		23	22	21	20					
SALEABLE	NOT APPLICABLE	34566-6963	0	B	ST GRAY	72		70		68	67					62	61						55					
						52				48	47	46			43			40								20	19	18
						73						30															4	
SALEABLE	NOT APPLICABLE	34566-6973	0	C	BLUE		71	70	69			67		65	64		62	61	60			57		55	54			
						52	51	50	49	48	47	46	45	44		42	41						37		35	34	33	
						73				32				28	27	26	25										19	18
SALEABLE	NOT APPLICABLE	34566-6983	0	C	BLUE		71		69			67		65	64		62	61	60			57		55	54			
						52	51	50		48	47	46	45	44		42							37			34	33	
						73								28	27	26												18
SALEABLE	NOT APPLICABLE	34566-6993	0	G	BLUE			78	77	76									67	66	65							
						40	39	38	37	36	35	34	33	32			29	28					25				21	
						20	19	18	17	16	15	14	13	12													3	
SALEABLE	NOT APPLICABLE	34566-7013	9	A	BLACK		71	70	69					64	63	62	61	60	59	58	57	56	55	54	53			
						52	51	50	49				45	44	43	42	41		39		37	36				34		
						73				32			29	28	27	26											19	18
SALEABLE	NOT APPLICABLE	34566-7023	0	A	BLACK	72	71	70	69	68		66	65	64			61	60				57	56		54	53		
						52	51	50	49	48		46	45	44	43			40	39	38	37	36				34	33	
						73						31	30	29	28			26	25		23	22	21	20				
SALEABLE	NOT APPLICABLE	34566-7033	0	A	BLACK			70	69					65		63	62	61	60			58	57	56	55	54	53	
						52	51		49					44	43	42	41						37	36			34	
						73				32			29	28	27	26								21			19	18
SALEABLE	NOT APPLICABLE	34566-7043	0	B	ST GRAY					68	67				63	62	61	60	59				55					
						52						46			43		41	40										
						73						16		14			11			8						20	19	18
SALEABLE	NOT APPLICABLE	34566-7053	0	C	BLUE		71		69			67		65	64		62	61	60			57		54				
						52	51	50	49	48	47	46	45	44		42	41						37			34	33	
						73				16	15	14	13	12	11	10	9	8	7									
SALEABLE	NOT APPLICABLE	34566-7063	0	C	BLUE	72		70		68	67	66			63	62			59		57				53			
						52	51			48	47	46		44				40	39							34	33	
						73				32		30				26	25				22	21						
SALEABLE	NOT APPLICABLE	34566-7073	9	F	NATURAL				69	68											58	57						
															43	42							38	37			33	
						73							30														19	18
SALEABLE	NOT APPLICABLE	34566-7083	9	B	ST GRAY																							
						73				16	15	14	13	12	11	10			8	7						3	2	1

MX123 52/66/73/80-WAY RECEPTACLE ASSY SEALED PIN OUT SHEET

STATUS	GM PART #	HRNS CONN ASSY			TPA	GROMMET CAP																																																	
		MATERIAL/PART	WIRE DRESS OPTION	KEY OPTION Fp	COLOR OPTION Fp	NUMBERS INDICATE CAVITIES OPEN FOR CIRCUITS																																																	
		NUMBER				Fp																																																	
SALEABLE	NOT APPLICABLE	34566-7423	0	C	BLUE	52	51	70	69	48	67	46	45	64	61	60	57	54	34	33	73	32	28	27	25	18	17	16	15	14	13	12	11	10	9	8	7																		
						72	68	62	61	60	59	55	52	48	47	46	44	43	41	40	38	37	36	35	73	16	15	14	30	20	19	18	17	16	15	14	8	4																	
						72	71	70	69	68	66	65	64	63	60	57	56	54	52	51	50	49	48	46	45	44	43	42	40	39	38	37	36	34	73	31	30	29	28	26	25	23	22	21	20	2	15	14	13	12	9	7	6	5	4
SALEABLE	NOT APPLICABLE	34566-7433	0	B	ST GRAY	72	68	62	61	60	59	55	52	48	47	46	44	43	41	40	38	37	36	35	73	16	15	14	30	20	19	18	17	16	15	14	8	4																	
						72	71	70	69	68	66	65	64	63	60	57	56	54	52	51	50	49	48	46	45	44	43	42	40	39	38	37	36	34	73	31	30	29	28	26	25	23	22	21	20	2	15	14	13	12	9	7	6	5	4
						72	71	70	69	68	66	65	64	63	60	57	56	54	52	51	50	49	48	47	46	45	44	43	42	40	39	38	37	36	34	73	31	30	29	28	26	25	23	22	21	20	2	15	14	13	12	9	7	6	5
SALEABLE	NOT APPLICABLE	34566-7443	0	A	BLACK	72	68	62	61	60	59	55	52	48	47	46	44	43	41	40	38	37	36	35	73	16	15	14	30	20	19	18	17	16	15	14	8	4																	
						72	71	70	69	68	66	65	64	63	60	57	56	54	52	51	50	49	48	46	45	44	43	42	40	39	38	37	36	34	73	31	30	29	28	26	25	23	22	21	20	2	15	14	13	12	9	7	6	5	4
						72	71	70	69	68	66	65	64	63	60	57	56	54	52	51	50	49	48	47	46	45	44	43	42	40	39	38	37	36	34	73	31	30	29	28	26	25	23	22	21	20	2	15	14	13	12	9	7	6	5
SALEABLE	NOT APPLICABLE	34566-7453	0	C	BLUE	72	68	62	61	60	59	55	52	48	47	46	44	43	41	40	38	37	36	35	73	16	15	14	30	20	19	18	17	16	15	14	8	4																	
						72	71	70	69	68	66	65	64	63	60	57	56	54	52	51	50	49	48	46	45	44	43	42	40	39	38	37	36	34	73	31	30	29	28	26	25	23	22	21	20	2	15	14	13	12	9	7	6	5	4
						72	71	70	69	68	66	65	64	63	60	57	56	54	52	51	50	49	48	47	46	45	44	43	42	40	39	38	37	36	34	73	31	30	29	28	26	25	23	22	21	20	2	15	14	13	12	9	7	6	5
SALEABLE	NOT APPLICABLE	34566-7463	0	B	ST GRAY	72	68	62	61	60	59	55	52	48	47	46	44	43	41	40	38	37	36	35	73	16	15	14	30	20	19	18	17	16	15	14	8	4																	
						72	71	70	69	68	66	65	64	63	60	57	56	54	52	51	50	49	48	46	45	44	43	42	40	39	38	37	36	34	73	31	30	29	28	26	25	23	22	21	20	2	15	14	13	12	9	7	6	5	4
						72	71	70	69	68	66	65	64	63	60	57	56	54	52	51	50	49	48	47	46	45	44	43	42	40	39	38	37	36	34	73	31	30	29	28	26	25	23	22	21	20	2	15	14	13	12	9	7	6	5
SALEABLE	NOT APPLICABLE	34566-7473	0	B	ST GRAY	72	68	62	61	60	59	55	52	48	47	46	44	43	41	40	38	37	36	35	73	16	15	14	30	20	19	18	17	16	15	14	8	4																	
						72	71	70	69	68	66	65	64	63	60	57	56	54	52	51	50	49	48	46	45	44	43	42	40	39	38	37	36	34	73	31	30	29	28	26	25	23	22	21	20	2	15	14	13	12	9	7	6	5	4
						72	71	70	69	68	66	65	64	63	60	57	56	54	52	51	50	49	48	47	46	45	44	43	42	40	39	38	37	36	34	73	31	30	29	28	26	25	23	22	21	20	2	15	14	13	12	9	7	6	5
SALEABLE	NOT APPLICABLE	34566-7483	0	B	ST GRAY	72	68	62	61	60	59	55	52	48	47	46	44	43	41	40	38	37	36	35	73	16	15	14	30	20	19	18	17	16	15	14	8	4																	
						72	71	70	69	68	66	65	64	63	60	57	56	54	52	51	50	49	48	46	45	44	43	42	40	39	38	37	36	34	73	31	30	29	28	26	25	23	22	21	20	2	15	14	13	12	9	7	6	5	4
						72	71	70	69	68	66	65	64	63	60	57	56	54	52	51	50	49	48	47	46	45	44	43	42	40	39	38	37	36	34	73	31	30	29	28	26	25	23	22	21	20	2	15	14	13	12	9	7	6	5
SALEABLE	NOT APPLICABLE	34566-7493	0	C	BLUE	72	68	62	61	60	59	55	52	48	47	46	44	43	41	40	38	37	36	35	73	16	15	14	30	20	19	18	17	16	15	14	8	4																	
						72	71	70	69	68	66	65	64	63	60	57	56	54	52	51	50	49	48	46	45	44	43	42	40	39	38	37	36	34	73	31	30	29	28	26	25	23	22	21	20	2	15	14	13	12	9	7	6	5	4
						72	71	70	69	68	66	65	64	63	60	57	56	54	52	51	50	49	48	47	46	45	44	43	42	40	39	38	37	36	34	73	31	30	29	28	26	25	23	22	21	20	2	15	14	13	12	9	7	6	5
SALEABLE	NOT APPLICABLE	34566-7513	9	A	BLACK	72	68	62	61	60	59	55	52	48	47	46	44	43	41	40	38	37	36	35	73	16	15	14	30	20	19	18	17	16	15	14	8	4																	
						72	71	70	69	68	66	65	64	63	60	57	56	54	52	51	50	49	48	46	45	44	43	42	40	39	38	37	36	34	73	31	30	29	28	26	25	23	22	21	20	2	15	14	13	12	9	7	6	5	4
						72	71	70	69	68	66	65	64	63	60	57	56	54	52	51	50	49	48	47	46	45	44	43	42	40	39	38	37	36	34	73	31	30	29	28	26	25	23	22	21	20	2	15	14	13	12	9	7	6	5
SALEABLE	NOT APPLICABLE	34566-7523	0	A	BLACK	72	68	62	61	60	59	55	52	48	47	46	44	43	41	40	38	37	36	35	73	16	15	14	30	20	19	18	17	16	15	14	8	4																	
						72	71	70	69	68	66	65	64	63	60	57	56	54	52	51	50	49	48	46	45	44	43	42	40	39	38	37	36	34	73	31	30	29	28	26	25	23	22	21	20	2	15	14	13	12	9	7	6	5	4
						72	71	70	69	68	66	65	64	63	60	57	56	54	52	51	50	49	48	47	46	45	44	43	42	40	39	38	37	36	34	73	31	30	29	28	26	25	23	22	21	20	2	15	14	13	12	9	7	6	5
SALEABLE	NOT APPLICABLE	34566-7533	0	G	BLUE	80	79	78	69	68	67	64	62	61	60	57	54	34	33	73	32	28	27	26	19	18	17	16	15	14	13	12	11	10	9	8	7																		
						60	59	58	57	54	51	50	49	48	47	45	44	42	41	73	32	31	30	29	28	27	26	25	24	23	22	21	16	15	14	13	12	11	10	9	8	7													
						40	39	37	36	34	33	32	30	29	28	27	25	24	23	22	21	73	32	31	30	29	28	27	26	25	24	23	22	21	16	15	14	13	12	11	10	9	8	7											
SALEABLE	NOT APPLICABLE	34566-7543 SAME AS P/N 34566-1553	0	A	BLACK	80	79	78	69	68	67	64	62	61	60	57	54	34	33	73	32	28	27	26	19	18	17	16	15	14	13	12	11	10	9	8	7																		
						60	59	58	57	54	51	50	49	48	47	45	44	42	41	73	32	31	30	29	28	27	26	25	24	23	22	21	16	15	14	13	12	11	10	9	8	7													
						40	39	37	36	34	33	32	30	29	28	27	25	24	23	22	21	73	32	31	30	29	28	27	26	25	24	23	22	21	16	15	14	13	12	11	10	9	8	7											
SALEABLE	NOT APPLICABLE	34566-7553 SAME AS P/N 34566-1983	0	B	ST GRAY	80	79	78	69	68	67	64	62																																										

MX123 52/66/73/80-WAY RECEPTACLE ASSY SEALED PIN OUT SHEET

STATUS	GM PART #	HRNS CONN ASSY			TPA	GROMMET CAP																				
		MATERIAL/PART	WIRE DRESS OPTION	KEY OPTION Fp	COLOR OPTION Fp	NUMBERS INDICATE CAVITIES OPEN FOR CIRCUITS																				
		NUMBER				Fp																				
SALEABLE	NOT APPLICABLE	34566-7683	9	B	ST GRAY	72	71	70	69	68	67	66	65	64	63	62	61	60	59		57	56	55			
						52	51	50	49	48	47	46	45	44	43		26	25	24	23	22	21	20	19	18	17
						73				32	31	30	29	28		11		9	8	7	6	5	4	3	2	1
SALEABLE	NOT APPLICABLE	34566-7693	9	A	BLACK	72								64		62	61			57	56	55	54			
						52	51					46	45		43			40			37		35	34		
						73				32		30	29		27		25					20				
SALEABLE	NOT APPLICABLE	34566-7713	9	A	BLACK	72								64		62	61			58	57	56	55	54		
						52	51			48		46	45		43		41	40			37		35	34		
						73				32		30	29		27		25				20					
SALEABLE	NOT APPLICABLE	34566-7723	9	A	BLACK	72								64		62	61			57	56	55	54	53		
						52	51			48		46	45		43		41	40			37		35	34		
						73				32		30	29		27		25			20						
SALEABLE	NOT APPLICABLE	34566-7733	9	A	BLACK	72								64		62	61			58	57	56	55	54		
						52	51			48		46	45		43		41	40			37		35	34		
						73				32		30	29		27		25			20						
SALEABLE	NOT APPLICABLE	34566-7743	0	C	BLUE	72		70		68	67	66			63	62	61	60	59	57				53		
						52	51		49	48	47	46		44		41	40	39		37	36	35	34	33		
						73				32		30			27	26	25	24		22	21	20				
SALEABLE	NOT APPLICABLE	34566-7753	0	A	BLACK		71	70	69	68	67			64	63	62	61	60	59	58	57	56	55	54		
						52	51	50	49			45	44	43	42	41		39	38	37	36		34			
						73				32	31		29	28	27	26	25				19	18				
SALEABLE	NOT APPLICABLE	34566-7763	0	F	NATURAL																					
						73																				
SALEABLE	NOT APPLICABLE	34566-7773	0	B	ST GRAY	72		70							63	62	61	60	59							
						52						46			43		41	40								
						73				16		14			11				6		4					
SALEABLE	TBD	34822-0153	9	A	BLACK		63	62	61	60	59					54	53		51		49	66				
							47								38	37		35		33						
						65						15	14	13			25		8	7		22	21	20	19	18
SALEABLE	NOT APPLICABLE	34566-7783	0	A	BLACK	72	71	70	69	68		66	65	64	63			60		57	56		54			
						52	51	50	49	48		46	45	44	43	42	41	40	39	38	37	36		34		
						73				32	31	30	29	28		26	25		23	22	21				2	1
SALEABLE	NOT APPLICABLE	34566-7793	0	A	BLACK	72		70			67	66	65			63			60	59	58	57	56	55		
						52	51		49	48	47	46	45		43	42		40	39	38	37	36	35			
						73								28	27			23	22	21				18	17	
SALEABLE	NOT APPLICABLE	34566-7813	0	A	BLACK			70	69	68	67				63	62	61	60	59	58	57	56	55	54		
						52	51	50	49					44	43	42	41	40	39	38	37	36		34		
						73				32			29	28	27	26	25			21		19	18			
SALEABLE	NOT APPLICABLE	34566-7823	0	B	ST GRAY					68	67				63	62	61	60	59							
						52				48	47	46		44	43		41	40		38	37	36	35			
						73				16		14			11			8			4					1
SALEABLE	NOT APPLICABLE	34566-7833	0	B	ST GRAY	72	71	70	69	68	67	66	65	64	63		61	60	59		57	56	55			
						52	51	50	49	48	47	46	45	44	43		41	40	39	38	37	36	35	34	33	
						73				32	31	30	29	28		26	25	24	23	22	21	20	19	18	17	

MX123 52/66/73/80-WAY RECEPTACLE ASSY SEALED PIN OUT SHEET

STATUS	GM PART #	HRNS CONN ASSY			TPA	GROMMET CAP																			
		MATERIAL/PART	WIRE DRESS OPTION	KEY OPTION Fp	COLOR OPTION Fp	NUMBERS INDICATE CAVITIES OPEN FOR CIRCUITS																			
		NUMBER				Fp																			
SALEABLE	NOT APPLICABLE	34566-7843	9	C	BLUE	52	71	50	49	48	67	47	65	64	45	44	62	61	60	58	57	54	33		
						73				16	15	14	13	12	11	10	9	39	38	37	34	33			
						72	71	70	69	68	67	66	65	64	63	62	61	60	59	58	57	56	55	54	53
SALEABLE	NOT APPLICABLE	34566-7853	9	C	BLUE	52	51	50	49	48	47	46	45	44	43	42	41	40	39	38	37	36	35		
						73				16	15	14	13	12	11	10	9	8	7	6	5	4	3	2	1
						72	71	70	69	68	67	66	65	64	63	62	61	60	59	58	57	56	55	54	53
SALEABLE	NOT APPLICABLE	34566-7863	9	C	BLUE	52	51	50	49	48	47	46	45	44	43	42	41	40	39	38	37	36	35		
						73				16	15	14	13	12	11	10	9	8	7	6	5	4	3	2	1
						72	71	70	69	68	67	66	65	64	63	62	61	60	59	58	57	56	55	54	53
SALEABLE	NOT APPLICABLE	34566-7873	9	A	BLACK	52	51	50	49	48	47	46	45	44	43	42	41	40	39	38	37	36	35		
						73				16	15	14	13	12	11	10	9	8	7	6	5	4	3	2	1
						72	71	70	69	68	67	66	65	64	63	62	61	60	59	58	57	56	55	54	53
SALEABLE	NOT APPLICABLE	34566-7883	9	A	BLACK	52	51	50	49	48	47	46	45	44	43	42	41	40	39	38	37	36	35		
						73				16	15	14	13	12	11	10	9	8	7	6	5	4	3	2	1
						72	71	70	69	68	67	66	65	64	63	62	61	60	59	58	57	56	55	54	53
SALEABLE	NOT APPLICABLE	34566-7893	9	A	BLACK	52	51	50	49	48	47	46	45	44	43	42	41	40	39	38	37	36	35		
						73				16	15	14	13	12	11	10	9	8	7	6	5	4	3	2	1
						72	71	70	69	68	67	66	65	64	63	62	61	60	59	58	57	56	55	54	53
SALEABLE	TBD	34822-0163	0	A	BLACK	52	51	50	49	48	47	46	45	44	43	42	41	40	39	38	37	36	35		
						73				16	15	14	13	12	11	10	9	8	7	6	5	4	3	2	1
						72	71	70	69	68	67	66	65	64	63	62	61	60	59	58	57	56	55	54	53
SALEABLE	NOT APPLICABLE	34566-7913	9	G	BLUE	52	51	50	49	48	47	46	45	44	43	42	41	40	39	38	37	36	35		
						73				16	15	14	13	12	11	10	9	8	7	6	5	4	3	2	1
						72	71	70	69	68	67	66	65	64	63	62	61	60	59	58	57	56	55	54	53
SALEABLE	NOT APPLICABLE	34566-7923	0	C	BLUE	52	51	50	49	48	47	46	45	44	43	42	41	40	39	38	37	36	35		
						73				16	15	14	13	12	11	10	9	8	7	6	5	4	3	2	1
						72	71	70	69	68	67	66	65	64	63	62	61	60	59	58	57	56	55	54	53
SALEABLE	NOT APPLICABLE	34566-7933	0	A	BLACK	52	51	50	49	48	47	46	45	44	43	42	41	40	39	38	37	36	35		
						73				16	15	14	13	12	11	10	9	8	7	6	5	4	3	2	1
						72	71	70	69	68	67	66	65	64	63	62	61	60	59	58	57	56	55	54	53
SALEABLE	NOT APPLICABLE	34566-7943	0	B	ST GRAY	52	51	50	49	48	47	46	45	44	43	42	41	40	39	38	37	36	35		
						73				16	15	14	13	12	11	10	9	8	7	6	5	4	3	2	1
						72	71	70	69	68	67	66	65	64	63	62	61	60	59	58	57	56	55	54	53
SALEABLE	NOT APPLICABLE	34566-7953	0	B	ST GRAY	52	51	50	49	48	47	46	45	44	43	42	41	40	39	38	37	36	35		
						73				16	15	14	13	12	11	10	9	8	7	6	5	4	3	2	1
						72	71	70	69	68	67	66	65	64	63	62	61	60	59	58	57	56	55	54	53
SALEABLE	NOT APPLICABLE	34566-7963	9	A	BLACK	52	51	50	49	48	47	46	45	44	43	42	41	40	39	38	37	36	35		
						73				16	15	14	13	12	11	10	9	8	7	6	5	4	3	2	1
						72	71	70	69	68	67	66	65	64	63	62	61	60	59	58	57	56	55	54	53
SALEABLE	NOT APPLICABLE	34566-7973	9	B	ST GRAY	52	51	50	49	48	47	46	45	44	43	42	41	40	39	38	37	36	35		
						73				16	15	14	13	12	11	10	9	8	7	6	5	4	3	2	1
						72	71	70	69	68	67	66	65	64	63	62	61	60	59	58	57	56	55	54	53
SALEABLE	NOT APPLICABLE	34566-7983	9	B	ST GRAY	52	51	50	49	48	47	46	45	44	43	42	41	40	39	38	37	36	35		
						73				16	15	14	13	12	11	10	9	8	7	6	5	4	3	2	1
						72	71	70	69	68	67	66	65	64	63	62	61	60	59	58	57	56	55	54	53

MX123 52/66/73/80-WAY RECEPTACLE ASSY SEALED PIN OUT SHEET

STATUS	GM PART #	HRNS CONN ASSY			TPA	GROMMET CAP																				
		MATERIAL/PART	WIRE DRESS OPTION	KEY OPTION Fp	COLOR OPTION Fp	NUMBERS INDICATE CAVITIES OPEN FOR CIRCUITS																				
		NUMBER				Fp																				
SALEABLE	NOT APPLICABLE	34566-7993	9	C	BLUE	52	51	70	69	48	47	66	65	64	63	61	60	57	54	53	34	33				
						73				32	28	27	25	37	18	17										
						16	15	14	13	12	11	10	9	8	7											
SALEABLE	NOT APPLICABLE	34566-8013	9	C	BLUE	71	50	49	48	47	65	64	61	60	59	57	54	34	33							
						73				32	28	27	25	39	37	18	17									
						16	15	14	13	12	11	10	9	8	7											
SALEABLE	TBD	34822-0173	9	A	BLACK	64	46	45	44	43	42	41	40	55	54	52	50	66								
						65				32	31	30	29	27	26	24	23									
						16				12	11	10	9		6	5	4									
SALEABLE	NOT APPLICABLE	34566-8023	9	C	BLUE	72	69	68	46	43	42	41	40	63	62	59	56	55	53							
						73				31	30	29		43	42	40	39	36	35							
															26	24	23	22	21	20	19					
SALEABLE	NOT APPLICABLE	34566-8033	9	B	ST GRAY	71	70	69	67	66	65	64	63			58	57	56	54	34	33					
						73				32	31	29	28	27	26	25	24	23								
										13	12	11	10	9	7	5	3	2								
SALEABLE	NOT APPLICABLE	34566-8043	9	A	BLACK	67	66	65	64	63	62	61	60	59	58	55	53									
						73				27	26	25	24			20	19	18	17							
						16				11	10	9	8			4	3	1								
SALEABLE	NOT APPLICABLE	34566-8053	9	A	BLACK	72	68	67	66	65	64	63	62	59	58	55	53									
						73				31					40	38	35	33								
															25	23	22	21	20	19	17					
SALEABLE	NOT APPLICABLE	34566-8063	9	C	BLUE	71	70	69	65	64	63	62	61	60	58	56	55	54								
						73				31	29	28				38	35									
										12	11				7			3	1							
SALEABLE	NOT APPLICABLE	34566-8073	9	B	ST GRAY	69	68	67	66	65	64	63	62	61	60	59	58	57	56	55	54					
						73																				
										12	11	9	7	6	5	4										
SALEABLE	NOT APPLICABLE	34566-8083	9	B	ST GRAY	62	61	60	59	58	57	56	55	54	53											
						73				27	10	9														
SALEABLE	NOT APPLICABLE	34566-8093	9	A	BLACK	71	70	69	68	66	65	64	63	62	61	60	59	58	57	56	55	54				
						73				32	31	30	29		26	25	24	23		20	19					
										16	15	14	13		10		8	6	4	3						
SALEABLE	NOT APPLICABLE	34566-8113	9	C	BLUE	68	67	66	65	64	63	62	61	60	59	58	57	56	55	54						
						73				32				43	42	41	40		37	36	35	33				
															27	24				20	19	18				
SALEABLE	NOT APPLICABLE	34566-8123	0	G	BLUE	80	79	78	77	76	75	74	73	72	71	70	69	68	67	66	65	64	63	62	61	
						73				36	35	34														
										16	15	14								25	24	23	22	21		
SALEABLE	NOT APPLICABLE	34566-8133	0	G	BLUE	80	79	78	77	76	75	74	73	72	71	70	69	68	67	66	65	64	63	62	61	
						73				36	35	34														
										16	15	14								25	24	23	22	21		
SALEABLE	NOT APPLICABLE	34566-8143	0	G	BLUE	80	79	78	77	76	75	74	73	72	71	70	69	68	67	66	65	64	63	62	61	
						73				36	35	34														
										16	15	14								25	24	23	22	21		

MX123 52/66/73/80-WAY RECEPTACLE ASSY SEALED PIN OUT SHEET

STATUS	GM PART #	HRNS CONN ASSY			TPA	GROMMET CAP																					
		MATERIAL/PART	WIRE DRESS OPTION	KEY OPTION Fp	COLOR OPTION Fp	NUMBERS INDICATE CAVITIES OPEN FOR CIRCUITS																					
		NUMBER				Fp																					
SALEABLE	NOT APPLICABLE	34566-8153	0	C	BLUE	72	71	70	69	68	67	66	65	64	63	62	61	60	59	58	57	56	55	34	33		
						52	51	50					28	27												35	18
						73				16		14	13													3	
SALEABLE	NOT APPLICABLE	34566-8163	9	B	ST GRAY					68	67			64	63			59	58			55	54				
											47	46	45	44	43			39	38					35			
						73				32	31	30	29	28	27			23	22					19		17	
SALEABLE	NOT APPLICABLE	34566-8173	0	B	ST GRAY	72		70		68	67				63	62	61	60	59								
						52						46			43		41	40									
						73									27				22	21	20	19	18				
SALEABLE	NOT APPLICABLE	34566-8183	9	H	ST GRAY																						
SALEABLE	NOT APPLICABLE	34566-8193	0	G	BLUE		79	78	77	76	75	74			71				67		65		63				
						60	59	58	57	56	55	54		52					47		45		43				
						40		38	37				33	32	31	30	29		27	26							
SALEABLE	NOT APPLICABLE	34566-8213	0	H	ST GRAY							74	73					67		65	64	63	62	61			
													53	52								44	43	42	41		
								38					33					27		25							
SALEABLE	NOT APPLICABLE	34566-8223	9	A	BLACK	72										62	61		59		57		55				
						52	51											40			37						
						73				32			29				25					20					
SALEABLE	NOT APPLICABLE	34566-8233	9	G	BLUE				77	76	75	74	73	72		70	69	68		66	65	64	63	62	61		
										56	55		53	52					46	45		43	42				
								38	37	36	35	34			31				26			23	22	21			
SALEABLE	NOT APPLICABLE	34566-8243	9	G	BLUE	20	19			17	16	15	14	13		10			7	6		4			1		
									77	76	75	74	73	72		70	69	68		66	65	64	63	62	61		
										56	55		53	52					46	45		43	42				
SALEABLE	NOT APPLICABLE	34566-8253	9	G	BLUE					38	37	36	35	34		31				26			23	22	21		
									17	16	15	14	13		10			7	6		4						1
										77	76	75	74	73	72		70	69	68		66	65	64	63	62	61	
SALEABLE	NOT APPLICABLE	34566-8263	9	G	BLUE					56	55		53	52					46	45		43	42				
								38		36	35	34			31				26			23	22	21			
									17	16	15	14	13		10			7	6		4						
SALEABLE	NOT APPLICABLE	34566-8273	9	G	BLUE				77	76	75	74	73	72		70	69	68		66	65	64	63	62	61		
										56	55		53	52					46	45		43	42				
									38	37	36	35	34		31				26			23	22	21			
SALEABLE	NOT APPLICABLE	34566-8283	9	G	BLUE	80	79	78							71				67								
						60	59	58	57			54			51	50	49	48	47			44				41	
						40	39						33	32		30	29	28	27		25	24					
SALEABLE	NOT APPLICABLE	34566-8293	9	A	BLACK			18						12	11		9	8			5		3	2			
									77	76	75	74	73	72		70	69	68		66	65	64	63	62	61		
										56	55		53	52					46	45		43	42				
SALEABLE	NOT APPLICABLE	34566-8313	9	A	BLACK					38		36	35	34		31				26			23	22	21		
									17	16	15	14	13		10			7	6		4						1
										77	76	75	74	73	72		70	69	68		66	65	64	63	62	61	
SALEABLE	NOT APPLICABLE	34566-8283	9	G	BLUE	80	79	78							71				67								
						60	59	58	57			54			51	50	49	48	47			44				41	
						40	39		37				33	32		30	29	28	27		25	24					
SALEABLE	NOT APPLICABLE	34566-8293	9	A	BLACK					71	70	69	68	67	66	65		63		60	59	58					
						73							31			28		26		24	23	22	21		36	35	34
SALEABLE	NOT APPLICABLE	34566-8313	9	A	BLACK																						
						73							31			28		26		24	23	22	21		36	35	34

MX123 52/66/73/80-WAY RECEPTACLE ASSY SEALED PIN OUT SHEET

STATUS	GM PART #	HRNS CONN ASSY			TPA	GROMMET CAP																						
		MATERIAL/PART	WIRE DRESS OPTION	KEY OPTION Fp	COLOR OPTION Fp	NUMBERS INDICATE CAVITIES OPEN FOR CIRCUITS																						
		NUMBER				Fp																						
SALEABLE	NOT APPLICABLE	34566-8323	9	A	BLACK	71	70	69	68	67	66	65		63		60							53					
								50	49		47			44		42			39	38			36			33		
						73						31			28		26		24	23	22	21		19	18	17		
SALEABLE	NOT APPLICABLE	34566-8333	9	A	BLACK	71	70	69	68	67	66	65		63		60							53					
								50	49	48	47			44		42	41		39	38			36			33		
						73						31			28		26		24	23	22	21		19	18	17		
SALEABLE	NOT APPLICABLE	34566-8343	9	A	BLACK	71	70	69	68	67	66	65		63		60							53					
								50	49		47			44		42			39	38			36	35	34	33		
						73						31			28		26		24	23	22	21		19	18	17		
SALEABLE	NOT APPLICABLE	34566-8353	9	A	BLACK	72								64		62	61					57	56	55	54	53		
						52	51						46	45		43		41	40				37					
						73						32		30	29		27		25					20				
SALEABLE	NOT APPLICABLE	34566-8363	9	A	BLACK	72								64		62	61					57	56	55	54	53		
						52	51						46	45		43		40					37					
						73						32		30	29		27		25					20				
SALEABLE	NOT APPLICABLE	34566-8373	9	A	BLACK	72								64		62	61					57	56	55	54	53		
						52	51						46	45		43		40					37					
						73						32		30	29		27		25					20				
SALEABLE	NOT APPLICABLE	34566-8383	9	A	BLACK	72								64		62	61					57	56	55	54	53		
						52	51						46	45		43		40					37					
						73						32		30	29		27		25					20				
SALEABLE	NOT APPLICABLE	34566-8393	0	A	BLACK	72		70						64		62	61					57	56	55	54	53		
						52	51		49	48					43								36	35	34	33		
						73						31	30	29	28	27			24	23	22	21	20	19	18	17		
SALEABLE	NOT APPLICABLE	34566-8413	0	A	BLACK	72		70						64		62	61					56	55	54	53			
						52	51		49	48					43								36	35	34	33		
						73						31	30	29	28	27			24	23	22	21	20	19	18	17		
SALEABLE	NOT APPLICABLE	34566-8423	0	C	BLUE				69					64		62	61	60				57			54			
						52	51	50	49	48		46	45	44		42	41					37				34	33	
						73									28	27	26	25										
SALEABLE	NOT APPLICABLE	34566-8433	0	H	ST GRAY		79	78	77																61			
						20													9					5				1
SALEABLE	NOT APPLICABLE	34566-8443	0	C	BLUE		71	70									61	60	59	58	57				54			
						52	51	50		48	47		45	44			41		39	38	37					34	33	
						73						32			28	27		25		23							18	17
SALEABLE	NOT APPLICABLE	34566-8453	0	A	BLACK	72	71	70	69	68		66	65	64	63		60					57	56			54		
						52	51	50	49	48		46	45	44	43	42		40	39	38	37	36					34	
						73						32	31	30	29	28					23	22	21	20				
SALEABLE	NOT APPLICABLE	34566-8463	0	B	ST GRAY			70								62	61	60	59				55					
						52				48	47	46		44	43			41	40				38	37	36	35		
						73								30									22	21	20	19	18	
SALEABLE	NOT APPLICABLE	34566-8473	0	C	BLUE		71	70								62	61	60				58	57		54			
						52	51	50	49	48	47		45	44			42	41					38	37		35	34	33
						73						32			28	27	26	25									19	18

MX123 52/66/73/80-WAY RECEPTACLE ASSY SEALED PIN OUT SHEET

STATUS	GM PART #	HRNS CONN ASSY			TPA	GROMMET CAP																					
		MATERIAL/PART	WIRE DRESS OPTION	KEY OPTION Fp	COLOR OPTION Fp	NUMBERS INDICATE CAVITIES OPEN FOR CIRCUITS																					
		NUMBER				Fp																					
SALEABLE	NOT APPLICABLE	34566-8483	0	A	BLACK	72	71	70	69	68		66	65	64	63		61	60			57	56		54	53		
						52	51	50	49	48		46	45	44	43	42			40	39	38	37	36		34	33	
						73				32	31	30	29	28						23	22	21	20				2
SALEABLE	NOT APPLICABLE	34566-8493	0	B	ST GRAY	72		70		68	67					62	61	60	59				55				
						52				48	47	46		44	43			40									33
						73						30								22	21	20	19	18	17		
SALEABLE	NOT APPLICABLE	34566-8513	9	A	BLACK	72	71	70	69	68		66	65	64	63		61	60			57	56		54	53		
						52	51	50	49	48		46	45	44	43			40	39	38	37	36		34	33		
						73				32	31	30	29	28					24	23	22						
SALEABLE	NOT APPLICABLE	34566-8523	9	B	ST GRAY	72		70		68						62	61						55				
						52				48	47	46			43			40									
						73						30								22	21	20	19	18	17		
SALEABLE	NOT APPLICABLE	34566-8533	9	C	BLUE			70		67	66	65	64			61	60			57			54				
						52	51	50	49	48	47		45	44			41				37			34	33		
						73				32				28	27			25								18	17
SALEABLE	NOT APPLICABLE	34566-8543	9	C	BLUE		71		69		67	66	65	64			60			57			54				
						52	51	50	49	48	47	46	45	44						37			34	33			
						73				32				28	27												
SALEABLE	NOT APPLICABLE	34566-8553	0	B	ST GRAY					67	66	65	64			61	60			57			54				
						52	51	50	49	48	47		45	44			41				37			34	33		
						73				32				28	27												
SALEABLE	NOT APPLICABLE	34566-8563	0	A	BLACK					67					63		60	59	58	57	56	55					
						52	51			48	47	46			43	42		40	39	38	37	36	35				
						73								28						22	21				18	17	
SALEABLE	NOT APPLICABLE	34566-8573	0	B	ST GRAY	72	71	70	69	68	67	66	65	64	63		61	60	59		57	56	55				
						52	51	50	49	48	47	46	45	44	43		41	40	39	38	37	36	35			33	
						73				32	31	30	29	28				26		24	23	22	21	20	19		
SALEABLE	NOT APPLICABLE	34566-8583	0	C	BLUE	72	71	70	69		67	66	65	64			60				56			54			
						52	51	50	49		47	46	45	44			40	39	38					34			
						73					31	30		28		26	25	24	23	22	21					17	
SALEABLE	NOT APPLICABLE	34566-8593	0	B	ST GRAY					68						62	61	60	59			55					
						52				48	47	46			43		41	40		38	37	36	35				
						73						30								22	21	20	19	18			
SALEABLE	TBD	34822-0183	0	A	BLACK	64	63	62	61	60	59					54	53		51		49	66					
																38	37		35		33						
						65					15	14	13						8	7			4	3	2	1	
SALEABLE	TBD	34822-0193	0	A	BLACK	64	63								54	53		51		49	66						
															38	37		35		33							
						65							28					24	23		21	20	19	18	17		
SALEABLE	TBD	34822-0203	0	A	BLACK					60	59					54	53		51		49	66					
															38	37		35		33							
						65					31			28				24	23	22	21	20	19	18	17		
SALEABLE	TBD	34822-0213	0	A	BLACK	64	63	62	61	60	59					54	53		51		49	66					
															38	37		35		33							
						65					31			28				24	23	22	21	20	19	18	17		

MX123 52/66/73/80-WAY RECEPTACLE ASSY SEALED PIN OUT SHEET

STATUS	GM PART #	HRNS CONN ASSY			TPA	GROMMET CAP																					
		MATERIAL/PART	WIRE DRESS OPTION	KEY OPTION Fp	COLOR OPTION Fp	NUMBERS INDICATE CAVITIES OPEN FOR CIRCUITS																					
		NUMBER				Fp																					
SALEABLE	NOT APPLICABLE	34566-8613	0	C	BLUE	52	71	70			67	66	65	64			61	60	59	58	57			54			
										48	47			45	44			41	40	39	38	37				34	33
						73				32				28	27			25		23							18
SALEABLE	NOT APPLICABLE	34566-8623	9	C	BLUE					68			65		63	62	61		59	58	57	56	55		53		
										48			45		43	42	41					37	36	35	34	33	
						73				32	31													20	19	18	
SALEABLE	NOT APPLICABLE	34566-8633	0	B	ST GRAY	72										62	61										
						52				48	47	46			43			40									
						73							30									22	21	20	19	18	17
SALEABLE	NOT APPLICABLE	34566-8643	0	C	BLUE		71	70			67	66		64			61	60			57			54			
						52	51	50	49	48			45	44			41			37						34	33
						73				32				28	27			25									18
SALEABLE	NOT APPLICABLE	34566-8653	9	C	BLUE		71		69		67	66	65	64	63		61	60			57						
						52	51	50		48	47	46	45		43		41			37						34	33
						73								28	27			25									
SALEABLE	NOT APPLICABLE	34566-8663	0	B	ST GRAY	72	71	70	69					64	63		61	60			58	57	56	55			
						52	51	50	49					43								38	37	36			33
						73				32			30	29	28		26	25	24	23	22	21	20				
SALEABLE	NOT APPLICABLE	34822-0223	0	A	BLACK	64	63	62	61	60	59					54	53		51		49	66					
														38	37		35		33								
						65					31			28				24	23	22	21	20	19	18	17		
SALEABLE	NOT APPLICABLE	34566-8673	0	F	NATURAL	72		70		68	67	66			63	62			59		57				53		
						52	51		49	48	47	46		44			41	40	39		37	36	35	34	33		
						73						30			27	26	25	24		22	21	20					
SALEABLE	NOT APPLICABLE	34566-8683	0	B	ST GRAY	72		70		68	67	66			63	62			59		57				53		
						52	51		49	48	47	46		44			41	40	39		37	36	35	34	33		
						73				32			30			27	26	25	24		22	21	20				
SALEABLE	NOT APPLICABLE	34566-8693	0	A	BLACK					68	67	66			63	62			59		57			53			
						52	51		49	48	47	46		44			41	40	39		37	36	35	34	33		
						73				32			30			27	26	25	24		22	21	20				
SALEABLE	NOT APPLICABLE	34566-8713	9	B	ST GRAY	72	71	70	69					64	63			61	60			58	57	56	55		
						52	51	50	49					43								38	37	36			33
						73				32			30	29	28		26	25	24	23	22	21	20				
SALEABLE	NOT APPLICABLE	34566-8723	0	C	BLUE		71	70				66		64			61	60			57				54		
						52	51	50	49	48			45	44			41			37						34	33
						73				32				28	27			25									18
SALEABLE	NOT APPLICABLE	34566-8733	0	A	BLACK	72	71	70	69	68		66	65	64	63			60			57	56			54		
						52	51	50	49	48		46	45	44	43	42		40	39	38	37	36				34	
						73				32	31	30	29	28						23	22	21	20				
SALEABLE	NOT APPLICABLE	34566-8743	0	C	BLUE						67	66		64										54			
						52	51	50	49		47	46		44					39	38							
						73						30	29	28	27	26	25	24	23	22	21						
SALEABLE	NOT APPLICABLE	34566-8753	0	B	ST GRAY	72	71	70	69	68	67	66	65	64	63		61	60			58	57	56	55	54	53	
						52	51	50	49	48	47	46	45	44	43			40				37	36	35	34	33	
						73				32			30	29	28		26	25	24			21			19		

MX123 52/66/73/80-WAY RECEPTACLE ASSY SEALED PIN OUT SHEET

STATUS	GM PART #	HRNS CONN ASSY			TPA	GROMMET CAP																					
		MATERIAL/PART	WIRE DRESS OPTION	KEY OPTION Fp	COLOR OPTION Fp	NUMBERS INDICATE CAVITIES OPEN FOR CIRCUITS																					
		NUMBER				Fp																					
SALEABLE	NOT APPLICABLE	34566-8763	0	A	BLACK	72	71	70				67	66						59	58	57	56	55	54	53		
						52	51	50				47	46								39		37	36	35		33
						73				32	31	30	29	28	27	26						21					18
SALEABLE	12672857	34822-0243	9	A	BLACK	64	63	62	61	60	59						54	53		51		49	66				
							47									38	37		35		33						
						65									28				25	24		22	21	20	19	18	17
SALEABLE	NOT APPLICABLE	34822-0253	0	A	BLACK		63	62	61	60	59					54	53		51		49	66					
																38	37		35		33						
						65									28				24	23	22	21	20	19	18	17	
SALEABLE	NOT APPLICABLE	34822-0263	9	C	BLUE	64	63	62		60	59					54	53		51		49	66					
						48	47	46	45						39		37	36	35	34	33						
						65				32		30	29	28	27	26	25	24	23	22	21			19	18	17	
SALEABLE	NOT APPLICABLE	34822-0273	9	A	BLACK	64	63									54	53		51		49	66					
							47									38	37		35		33						
						65									28						22		20	19	18	17	
SALEABLE	NOT APPLICABLE	34822-0283	0	A	BLACK				61	60	59				56	55				51		49	66				
						65				32																	
SALEABLE	NOT APPLICABLE	34822-0293	0	A	BLACK	64	63									54	53		51		49	66					
							47									38	37		35		33						
						65									28						22		20	19	18	17	
SALEABLE	NOT APPLICABLE	34566-8773	9	B	ST GRAY	72		70		68						62	61	60	59					55			
						52				48	47	46						43			40						
						73						30									22	21	20	19	18	17	
SALEABLE	NOT APPLICABLE	34566-8783	9	A	BLACK	72	71	70	69	68			66	65	64	63		61	60			57	56		54	53	
						52	51	50	49	48			46	45	44	43			40	39	38	37	36		34	33	
						73				32	31	30	29	28							23	22	21				
SALEABLE	NOT APPLICABLE	34566-8793	9	C	BLUE		71	70			67	66	65				61	60			57			54			
						52	51	50	49	48	47		45	44			41			37					34	33	
						73				32				28	27		25									18	17
SALEABLE	NOT APPLICABLE	34566-8813	9	B	ST GRAY	72	71	70	69	68	67			65	64	63		61	60	59		57	56	55	54	53	
						52	51	50	49	48	47	46	45	44	43	42			40	39			36	35	34	33	
						73				32	31	30	29	28	27	26	25	24	23	22	21						
SALEABLE	NOT APPLICABLE	34566-8823	9	C	BLUE		71	70	69		67	66		64				60						54			
						52	51	50	49		47	46		44				40	39								
						73						30	29	28	27	26	25	24	23	22	21						
SALEABLE	NOT APPLICABLE	34566-8833	9	C	BLUE	72		70		68	67	66			63	62			59		57			54	53		
						52	51		49	48	47	46		44			41	40	39		37	36	35	34	33		
						73				32		30			27	26	25	24		22	21	20					17
SALEABLE	NOT APPLICABLE	34566-8843	0	C	BLUE		71	70	69		67	66		64										54			
						52	51	50	49		47	46		44			41		39	38							
						73						30	29	28	27	26	25	24	23	22	21						
SALEABLE	NOT APPLICABLE	34566-8853	0	B	ST GRAY	72				68	67				63	62	61	60	59					55			
						52				48	47	46		44	43		41	40		38	37	36	35				
						73						30			27					22	21	20	19	18			1

MX123 52/66/73/80-WAY RECEPTACLE ASSY SEALED PIN OUT SHEET

STATUS	GM PART #	HRNS CONN ASSY			TPA	GROMMET CAP																					
		MATERIAL/PART	WIRE DRESS OPTION	KEY OPTION Fp	COLOR OPTION Fp	NUMBERS INDICATE CAVITIES OPEN FOR CIRCUITS																					
		NUMBER				Fp																					
SALEABLE	NOT APPLICABLE	34566-9143	9	F	NATURAL	72	71	70			67	66	65	64	63	62	61	60	59			56	55	54	53		
						52	51	50	49	48	47	46	45	44										36	35	34	
						73				32	31		29	28	27	26	25	24	23	22	21	20					
SALEABLE	NOT APPLICABLE	34566-9153	9	B	ST GRAY						66																
																41			38	37							
						73																		20	19	18	17
SALEABLE	NOT APPLICABLE	34566-9163	9	B	ST GRAY					68	67	66	65			62		60	59					54	53		
										48	47	46	45	44		42	41	40	39						35	34	
						73					31				27											19	18
SALEABLE	NOT APPLICABLE	34566-9173	0	B	ST GRAY								65			62				58							
																41			38	37							
						73																			19	18	17
SALEABLE	NOT APPLICABLE	34822-0363	9	C	BLUE				61			58															
										44	43		41	40		38											
						65					31														20		
SALEABLE	NOT APPLICABLE	34822-0373	9	A	BLACK	64	63	62	61	60						55			52	51		49					
						48	47	46	45							38											
						65				32		30	29		27											20	19
SALEABLE	NOT APPLICABLE	34822-0383	9	A	BLACK	64	63	62	61	60			57					52	51		49						
						48	47	46	45					40													
						65				32		30	29		27											20	19
SALEABLE	NOT APPLICABLE	34822-0393	0	A	BLACK	64	63	62	61	60			57					52	51		49						
						48	47	46	45							38											
						65				32		30	29		27											20	19
SALEABLE	NOT APPLICABLE	34822-0403	9	A	BLACK	64	63									54	53		51		49						
															38	37		35		33							
						65					31			28												20	19
SALEABLE	NOT APPLICABLE	34822-0413	0	A	BLACK																						
																54	53		51		49						
						65								28												20	19
SALEABLE	NOT APPLICABLE	34822-0423	9	A	BLACK											54	53		50								
										44	43	42	41	40	39		37	36	35	34	33						
						65					31			28		26	25	24	23								
SALEABLE	NOT APPLICABLE	34566-9183	9	B	ST GRAY	72	71	70	69	68	67		65	64	63	62	61	60	59		57	56	55	54	53		
						52	51	50	49	48	47	46	45	44	43	42		40	39					36	35	34	33
						73				32	31	30	29	28	27	26	25	24	23	22	21						19
SALEABLE	NOT APPLICABLE	34566-9193	9	F	NATURAL				69	68											58	57					
																43	42										
						73						30														19	18
SALEABLE	NOT APPLICABLE	34822-0433	0	A	BLACK	64	63	62		60	59		57	56	55	54	53	52	51	50	49						
						48	47	46	45				42			39		37	36	35	34	33					
						65				32		30	29	28	27	26	25	24	23	22	21					20	19
SALEABLE	NOT APPLICABLE	34822-0443	0	A	BLACK	64	63	62		60	59		57	56	55	54	53	52	51	50	49						
						48	47	46	45				42			39		37	36	35	34	33					
						65				32	31	30	29	28	27	26	25	24	23	22	21					20	19

MX123 52/66/73/80-WAY RECEPTACLE ASSY SEALED PIN OUT SHEET

STATUS	GM PART #	HRNS CONN ASSY			TPA	GROMMET CAP																							
		MATERIAL/PART	WIRE DRESS OPTION	KEY OPTION Fp	COLOR OPTION Fp	NUMBERS INDICATE CAVITIES OPEN FOR CIRCUITS																							
		NUMBER				Fp																							
SALEABLE	NOT APPLICABLE	34566-9323	9	A	BLACK	72									64		62	61		59	58	57	56	55	54	53			
						52	51			48		46	45		43		41	40								20			
						73				32		30	29		27		25										4	3	
SALEABLE	NOT APPLICABLE	34566-9333	9	A	BLACK	72									64		62	61		59	58	57	56	55	54	53			
						52	51			48		46	45		43		41	40								20			
						73				32		30	29		27		25										4	3	
SALEABLE	NOT APPLICABLE	34566-9343	9	C	BLUE	72		70	69	68		66				63	62				58			56	55		53		
									49			46			43	42		40				38			36	35			
						73						31	30	29			26		24				22	21		20	19		17
SALEABLE	NOT APPLICABLE	34822-0503	0	A	BLACK	64			62	61	60	59	58					54	53		51								
						48	47									38	37	36		34									66
						65							30	29	28			26		24			21						
SALEABLE	NOT APPLICABLE	34822-0513	9	A	BLACK		63	62	61							54	53						49						
																38	37		35					33					66
						65						31			28				24			22	21		20	19	18	17	
SALEABLE	NOT APPLICABLE	34566-9353	9	A	BLACK	72									64		62	61			58	57	56	55	54	53			
						52	51			48		46	45		43		41	40							37		35	34	
						73				32		30	29		27		25									20			
SALEABLE	NOT APPLICABLE	34566-9363	9	A	BLACK	72									64		62	61					57	56	55	54	53		
						52	51					46	45		43			40						37		35	34		
						73				32		30	29		27		25									20			
SALEABLE	NOT APPLICABLE	34566-9373	9	G	BLUE	80															66			64					
							59		57								49												
							39										30												
SALEABLE	NOT APPLICABLE	34566-9383	9	A	BLACK	72	71	70	69	68					64	63	62	61		59	58	57	56	55	54	53			
						52	51	50		48	47	46	45	44	43		41	40	39	38	37					35	34	33	
						73				32		30	29		27	26	25	24								20	19	18	17
SALEABLE	NOT APPLICABLE	34566-9393	0	B	ST GRAY	72	71	70	69	68	67		65	64	63		61	60	59			57	56	55	54	53			
						52	51	50	49	48	47	46	45	44	43	42		40	39					36	35	34	33		
						73				32	31	30	29	28	27	26	25	24	23	22	21	20							
SALEABLE	NOT APPLICABLE	34566-9413	9	H	ST GRAY																								
SALEABLE	NOT APPLICABLE	34566-9423	0	A	BLACK	72	71	70			67	66									58	57	56	55	54	53			
						52	51	50			47	46											39		37	36	35		33
						73				32	31	30	29	28	27	26												18	17
SALEABLE	NOT APPLICABLE	34566-9433	0	B	ST GRAY	72	71	70	69	68	67	66	65	64	63		61				58	57	56	55	54	53			
						52	51	50	49	48	47	46	45	44				40	39					37	36	35	34	33	
						73						30	29	28	27	26	25	24			21								
SALEABLE	NOT APPLICABLE	34566-9443	9	B	ST GRAY	72	71	70	69	68	67		65	64	63	62	61	60	59			57	56	55	54	53			
								50	49	48	47	46		44	43	42		40	39					36	35	34	33		
						73				32	31	30	29	28	27	26	25	24	23	22	21								
SALEABLE	NOT APPLICABLE	34566-9453	0	A	BLACK	72	71	70	69		67			64			61	60	59			57	56	55	54	53			
						52	51			48			45	44			41	40	39	38	37	36	35	34					
						73						31	30	29		27	26	25		22						19	18		

MX123 52/66/73/80-WAY RECEPTACLE ASSY SEALED PIN OUT SHEET

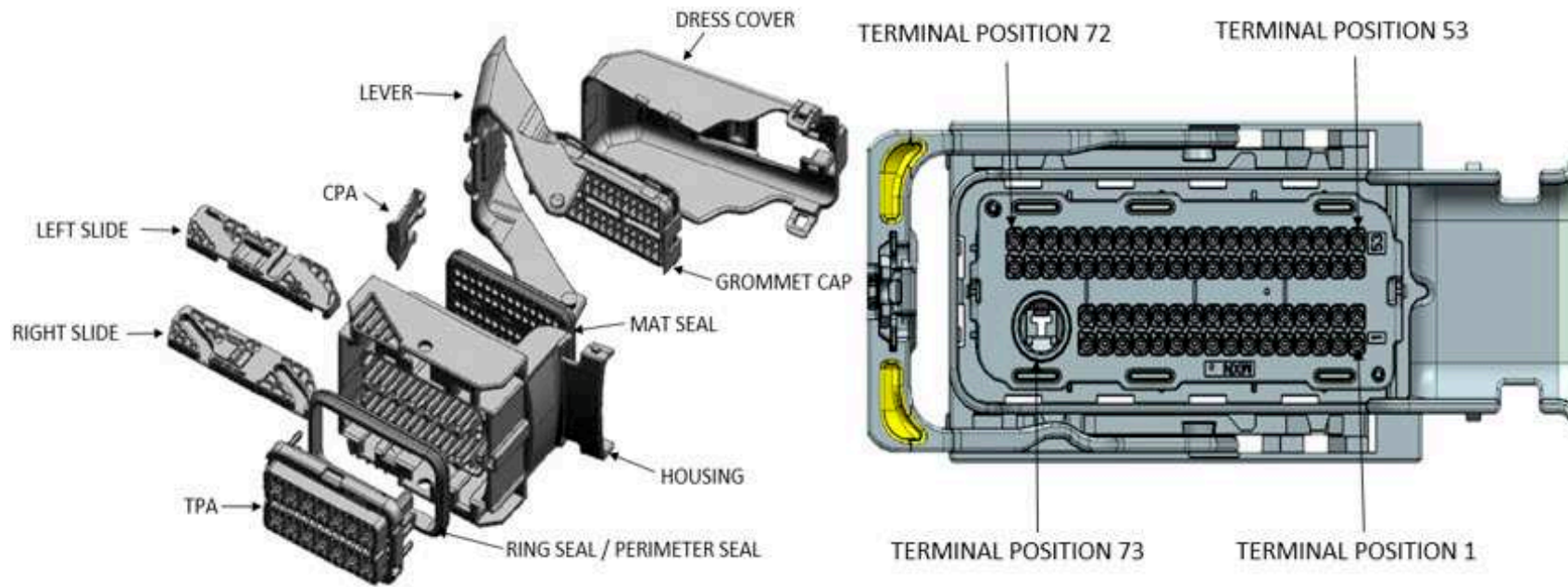
STATUS	GM PART #	HRNS CONN ASSY			TPA	GROMMET CAP																						
		MATERIAL/PART	WIRE DRESS OPTION	KEY OPTION Fp	COLOR OPTION Fp	NUMBERS INDICATE CAVITIES OPEN FOR CIRCUITS																						
		NUMBER				Fp																						
SALEABLE	NOT APPLICABLE	34566-9633	9	B	ST GRAY	72	71	70	69	68	67		65	64	63		61	60	59		57	56	55	54	53			
						52	51	50	49	48	47	46	45	44	43	42		40	39				36	35	34	33		
						73				32	31	30	29	28	27	26	25	24	23	22	21	20				3	2	
SALEABLE	NOT APPLICABLE	34566-9643	9	A	BLACK				69					64	63		61		59									
						52				48				44	43		41		39	38				35	34			
						73						30	29							10						5		2
SALEABLE	NOT APPLICABLE	34566-9653	9	G	BLUE	80														66	65							
							59		57																			
							39										30											
SALEABLE	NOT APPLICABLE	34566-9663	0	B	ST GRAY	72	71	70	69	68	67	66	65	64	63		61				58	57	56	55	54	53		
						52	51	50	49	48	47	46	45	44				40						37	36	35	34	33
						73				32		30	29	28				26	25	24				21				
SALEABLE	NOT APPLICABLE	34822-0533	9	C	BLUE	64	63			60	59		57	56	55		53	52	51	50	49	66						
						48	47	46	45			42				39	38		36	35	34	33						
						65				32		30	29	28	27	26	25	24	23	22			20			18	17	
SALEABLE	NOT APPLICABLE	34822-0543	0	A	BLACK	64	63	62	61	60	59					54	53		51		49	66						
							47									38	37		35			33						
						65								28			25	24		22	21	20	19	18	17			
SALEABLE	NOT APPLICABLE	34822-0553	0	A	BLACK	64	63								54	53		51		49	66							
														38	37		35		33			20	19	18	17			
						65					31			28				24	23		21	20	19	18	17			
SALEABLE	NOT APPLICABLE	34822-0563	0	C	BLUE	64	63	62		60	59		57	56	55	54	53	52	51	50	49	66						
						48	47	46	45			42				39		37	36	35	34	33						
						65				32		30	29	28	27	26		24	23	22				19	18	17		
SALEABLE	NOT APPLICABLE	34566-9673	0	C	BLUE	72	71	70	69		67	66	65	64					60			56		54				
						52	51	50	49		47	46	45	44					40	39	38					34		
						73					31	30		28			26	25	24	23	22	21	20					17
SALEABLE	NOT APPLICABLE	34566-9683	0	B	ST GRAY	72	71	70	69	68	67	66	65	64	63		61	60			57	56	55	54				
						52	51	50	49	48	47	46	45	44	43		41	40			38	37	36	35		33		
						73				32	31	30	29	28			26		24	23	22	21	20	19			17	
SALEABLE	NOT APPLICABLE	34566-9693	0	A	BLACK	72		70			67					63												
						52	51			48	47				43	42		40	39	38	37	36	35			33		
						73								28												18	17	
SALEABLE	NOT APPLICABLE	34566-9713	0	B	ST GRAY					68	67	66	65	64					59	58	57		55	54	53			
							51	50	49	48		46	45		43	42		40	39	38	37			35		33		
						73				32	31	30				26		24	23	22		20						
SALEABLE	NOT APPLICABLE	34566-9723	0	B	ST GRAY																							
							51	50	49	48	47	46	45		43			40			37	36						
						73				32		30	29	28		26	25	24			21			19				
SALEABLE	NOT APPLICABLE	34566-9733	0	A	BLACK	72	71	70			67	66							59						53			
						52	51	50			47	46							39		37			35		33		
						73						30	29	28	27	26				21						3		1
SALEABLE	NOT APPLICABLE	34822-0573	0	A	BLACK	64	63									54	53		51		49	66						
																38	37		35		33							
						65								28				24		22		20	19	18	17			

MX123 52/66/73/80-WAY RECEPTACLE ASSY SEALED PIN OUT SHEET

STATUS	GM PART #	HRNS CONN ASSY			TPA	GROMMET CAP																						
		MATERIAL/PART	WIRE DRESS OPTION	KEY OPTION Fp	COLOR OPTION Fp	NUMBERS INDICATE CAVITIES OPEN FOR CIRCUITS																						
		NUMBER				Fp																						
SALEABLE	NOT APPLICABLE	34822-0583	0	A	BLACK						59	58	57	56		54	53			50		66						
									44																			
						65																						
SALEABLE	NOT APPLICABLE	34822-0593	0	A	BLACK	64	63	62		60	59		57	56	55	54	53			51		49	66					
						48	47	46	45				42			39		37		35		33						
						65																				21		19
SALEABLE	NOT APPLICABLE	34566-9743	0	B	ST GRAY	72	71	70	69	68	67		65	64	63		61	60	59		57	56	55	54	53			
								50	49	48	47	46		44	43	42		40	39		36	35	34	33				
						73																						
SALEABLE	NOT APPLICABLE	34566-9753	0	C	BLUE	72	71	70	69		67	66	65	64				60										
						52	51	50	49		47	46	45	44		42	41	40	39									
						73																						
SALEABLE	NOT APPLICABLE	34566-9763	0	G	BLUE			78	77	76									67	66	65							
						40	39	38	37	36	35	34	33	32					29	28		26	25					
SALEABLE	NOT APPLICABLE	34566-9773	0	A	BLACK	72	71	70			67	66							59									
						52	51	50			47	46																
						73																						
SALEABLE	NOT APPLICABLE	34566-9783	0	B	ST GRAY	72	71	70	69	68	67		65	64	63	62	61	60	59		57	56	55	54	53			
								50	49	48	47	46		44	43	42		40	39		36	35	34	33				
						73																						
SALEABLE	NOT APPLICABLE	34822-0603	0	C	BLUE	64	63	62		60	59		57	56	55	54	53			51		49	66					
						48	47	46	45				42			39		37		35		33						
						65																						
SALEABLE	NOT APPLICABLE	34822-0613	0	A	BLACK		63	62	61		59					54	53											
						65																						
SALEABLE	NOT APPLICABLE	34566-9793	9	B	ST GRAY	72	71		69	68	67		65	64	63		61			58	57	56	55	54	53			
						52	51	50	49	48	47			44	43		41			38	37	36						
						73																						
SALEABLE	NOT APPLICABLE	34566-9813	9	A	BLACK	72	71	70			67	66	65	64	63	62	61		59									
						52	51				47	46	45	44	43	42	41		39		37	36	35	34	33			
						73																						
SALEABLE	NOT APPLICABLE	34822-0623	0	A	BLACK	64	63	62		60	59		57	56	55	54	53	52	51	50	49	66						
						48	47	46	45				42			39		37	36	35	34	33						
						65																						
SALEABLE	NOT APPLICABLE	34566-9823	0	A	BLACK	72	71	70	69	68	67		65	64	63		61	60	59		57	56	55	54	53			
						52	51	50	49	48	47	46	45	44	43	42		40	39		36	35	34	33				
						73																						
SALEABLE	NOT APPLICABLE	34822-0633	0	A	BLACK		63	62	61		59					54	53			49	66							
						65																						
SALEABLE	NOT APPLICABLE	34822-0643	9	C	BLUE	64	63			60	59		57	56	55		53	52	51	50	49	66						
						48	47	46	45				42			39	38		36	35	34	33						
						65																						

MX123 52/66/73/80-WAY RECEPTACLE ASSY SEALED PIN OUT SHEET

STATUS	GM PART #	HRNS CONN ASSY			TPA	GROMMET CAP																				
		MATERIAL/PART	WIRE DRESS OPTION	KEY OPTION Fp	COLOR OPTION Fp	NUMBERS INDICATE CAVITIES OPEN FOR CIRCUITS																				
		NUMBER				Fp																				
SALEABLE	NOT APPLICABLE	34822-0653	0	A	BLACK	64	63	62	61		59					54	53			49	66					
											31			28				24		22	21	20	19	18	17	
						65					15	14	13	12				8	7				4	3	2	1
SALEABLE	NOT APPLICABLE	34566-9833	9	B	ST GRAY	72	71	70	69	68	67			64	63		61			58	57	56	55	54	53	
						52	51	50	49	48	47			44	43		41			38	37	36				33
						73					32		30	29	28		26	25	24	23	22	21	20			
SALEABLE	NOT APPLICABLE	34566-9843	9	A	BLACK	72	71	70			67	66	65	64	63	62	61		59					55	54	53
						52	51	50			47	46	45	44	43	42	41	40	39			37	36	35	34	33
						73							30	29												18
SALEABLE	NOT APPLICABLE	34566-9853	9	B	ST GRAY	72	71	70	69	68	67			65	64	63	62	61	60	59	58	57	56	55	54	53
						52	51	50	49	48	47	46	45	44	43	42		40	39			36	35	34	33	
						73					32	31	30	29	28	27	26	25	24	23	22	21	20			
SALEABLE	NOT APPLICABLE	34566-9863	0	B	ST GRAY	72	71	70	69	68	67			65	64	63	62	61	60	59		57	56	55	54	53
						52	51	50	49	48	47	46	45	44	43	42		40	39			36	35	34	33	
						73					32	31	30	29	28	27	26	25	24	23	22	21				
SALEABLE	NOT APPLICABLE	34566-0004	0	A	BLACK	72	71	70	69		67			64	63		61	60	59		57	56	55	54	53	
						52	51			48			45	44	43		41	40	39	38	37	36	35	34	33	
						73					31	30	29		27	26	25		22			19	18			
SALEABLE	NOT APPLICABLE	34566-0014	0	G	BLUE	80	79	78	77		75								66	65	64		62			
							59		57										46			43	42	41		
							39	38	37		35		33	32		30			26	25	24		22	21		
SALEABLE	NOT APPLICABLE	34566-0024	0	G	BLUE	20		18	17	16	15			12			8	7	6	5		3	2	1		
SALEABLE	NOT APPLICABLE	34566-0034	0	G	BLUE	80	79	78			75							66	65	64		62				
							59		57				53					46			43	42	41			
							39	38	37		35		33	32		30			26	25	24		22	21		
SALEABLE	NOT APPLICABLE	34566-0044	0	A	BLACK	72	71	70	69		67			64			61	60	59		57	56	55	54	53	
						52	51			48			45	44			41	40	39	38	37	36	35	34	33	
						73					31	30	29		27	26	25		22			19	18			
SALEABLE	NOT APPLICABLE	34566-0054	0	G	BLUE	80	79	78	77		75							66	65	64		62				
							59		57									46			43	42	41			
							39	38	37		35		33		30			26	25	24		22	21			
SALEABLE	NOT APPLICABLE	34566-0064	0	A	BLACK	72	71	70	69		67			64	63		61	60	59		57	56	55	54	53	
						52	51			48			45	44	43		41	40	39	38	37	36	35	34		
						73					31	30	29		27	26	25		22			19	18			
SALEABLE	NOT APPLICABLE	34566-0084	0	A	BLACK			70	69		67			64			61	60	59		57	56	55	54	53	
						52	51			48			45	44			41	40	39	38	37	36	35	34	33	
						73					31	30	29		27	26	25		22			19				
SALEABLE	NOT APPLICABLE	34566-0094	0	B	ST GRAY	72	71	70	69	68	67			65	64	63	62	61	60	59		57	56	55	54	53
						52	51	50	49	48	47	46	45	44	43	42		40	39			36	35	34	33	
						73					32	31	30	29	28	27	26	25	24	23	22	21				
SALEABLE	NOT APPLICABLE	34566-0104	0	B	ST GRAY	72	71	70	69	68	67			65	64	63	62	61	60	59		57	56	55	54	53
								50	49	48	47	46		44	43	42		40	39			36	35	34	33	
						73					32	31	30	29	28	27	26	25	24	23	22	21				



ABBREVIATION	DESCRIPTION	COLOR	MATERIAL
G-CAP-0-P	GROMMET CAP OPTION 0 PLUGGED	BLACK	SPS/PA, G.F 30%
G-CAP-0-O	GROMMET CAP OPTION 0 ALL OPEN	BLACK	SPS/PA, G.F 30%
G-CAP-9-P	GROMMET CAP OPTION 9 PLUGGED	BLACK	SPS/PA, G.F 30%
G-CAP-9-O	GROMMET CAP OPTION 9 ALL OPEN	BLACK	SPS/PA, G.F 30%
C-HSG-A0	CONNECTOR HOUSING KEY A - WDC OPT 0	BLACK	SPS/PA, G.F 30%
C-HSG-B0	CONNECTOR HOUSING KEY B- WDC OPT 0	BLACK	SPS/PA, G.F 30%
C-HSG-C0	CONNECTOR HOUSING KEY C- WDC OPT 0	BLACK	SPS/PA, G.F 30%
C-HSG-D0	CONNECTOR HOUSING KEY D - WDC OPT 0	BLACK	SPS/PA, G.F 30%
C-HSG-E0	CONNECTOR HOUSING KEY E - WDC OPT 0	BLACK	SPS/PA, G.F 30%
C-HSG-F0	CONNECTOR HOUSING KEY F- WDC OPT 0	BLACK	SPS/PA, G.F 30%
C-HSG-A9	CONNECTOR HOUSING KEY A- WDC OPT 9	BLACK	SPS/PA, G.F 30%
C-HSG-B9	CONNECTOR HOUSING KEY B- WDC OPT 9	BLACK	SPS/PA, G.F 30%
C-HSG-C9	CONNECTOR HOUSING KEY C- WDC OPT 9	BLACK	SPS/PA, G.F 30%
C-HSG-D9	CONNECTOR HOUSING KEY D- WDC OPT 9	BLACK	SPS/PA, G.F 30%
C-HSG-E9	CONNECTOR HOUSING KEY E- WDC OPT 9	BLACK	SPS/PA, G.F 30%
C-HSG-F9	CONNECTOR HOUSING KEY F- WDC OPT 9	BLACK	SPS/PA, G.F 30%
TPA-A0	TERMINAL POSITION ASSURANCE (TPA) OPTION 0	BLACK	SPS/PA, G.F 30%
TPA-B0	TERMINAL POSITION ASSURANCE (TPA) OPTION 0	STONE GRAY	SPS/PA, G.F 30%
TPA-C0	TERMINAL POSITION ASSURANCE (TPA) OPTION 0	BLUE	SPS/PA, G.F 30%
TPA-D0	TERMINAL POSITION ASSURANCE (TPA) OPTION 0	BROWN	SPS/PA, G.F 30%
TPA-E0	TERMINAL POSITION ASSURANCE (TPA) OPTION 0	GREEN	SPS/PA, G.F 30%
TPA-F0	TERMINAL POSITION ASSURANCE (TPA) OPTION 0	NATURAL	SPS/PA, G.F 30%
TPA-A0-1	TERMINAL POSITION ASSURANCE (TPA) OPTION 0	BLACK	SPS/PA, G.F 30%
TPA-B0-1	TERMINAL POSITION ASSURANCE (TPA) OPTION 0	STONE GRAY	SPS/PA, G.F 30%
TPA-C0-1	TERMINAL POSITION ASSURANCE (TPA) OPTION 0	BLUE	SPS/PA, G.F 30%
TPA-A9	TERMINAL POSITION ASSURANCE (TPA) OPTION 9	BLACK	SPS/PA, G.F 30%
TPA-B9	TERMINAL POSITION ASSURANCE (TPA) OPTION 9	STONE GRAY	SPS/PA, G.F 30%
TPA-C9	TERMINAL POSITION ASSURANCE (TPA) OPTION 9	BLUE	SPS/PA, G.F 30%
TPA-D9	TERMINAL POSITION ASSURANCE (TPA) OPTION 9	BROWN	SPS/PA, G.F 30%
TPA-E9	TERMINAL POSITION ASSURANCE (TPA) OPTION 9	GREEN	SPS/PA, G.F 30%
TPA-F9	TERMINAL POSITION ASSURANCE (TPA) OPTION 9	NATURAL	SPS/PA, G.F 30%
MAL	MATE ASSIST LEVER	BLACK	SPS/NYLON GF30
RS	SLIDE - RIGHT	BLACK	PBT W/PTFE, G.F. 30%
LS	SLIDE - LEFT	BLACK	PBT W/PTFE, G.F. 30%
CVR BLACK	DRESS COVER BLACK	BLACK	PBT, G.F. 30%
CVR GRAY	DRESS COVER GRAY	GRAY	PBT, G.F. 30%
CVR BLUE	DRESS COVER BLUE	BLUE	PBT, G.F. 30%
CVR BROWN	DRESS COVER BROWN	BROWN	PBT, G.F. 30%
CVR GREEN	DRESS COVER GREEN	GREEN	PBT, G.F. 30%
CVR NATURAL	DRESS COVER NATURAL	NATURAL	PBT, G.F. 30%
CVR YELLOW	DRESS COVER YELLOW	YELLOW	PBT, G.F. 30%
CPA	CONNECTOR POSITION ASSURANCE (CPA)	RED	PPE/PA 10% GF
MSEAL	MAT SEAL	RUST RED	INHERENTLY LUBRICATED SILICONE RUBBER
RSEAL	RING SEAL	RUST RED	INHERENTLY LUBRICATED SILICONE RUBBER

FOR ADDITIONAL INFORMATION SEE SD-34566-001

ASSEMBLY DESCRIPTION	ASSEMBLY PART NUMBER	CONNECTOR HOUSING	GROMMET CAP	TPA	RIGHT SLIDE	LEFT SLIDE	MATE ASSIST LEVER	CPA	MAT SEAL	RING SEAL	BLOCKED TERMINALS																STATUS	COMMENTS	INTEGRAL COMPONENTS SOLD SEPARATELY									
											CAVITY WITH A NUMBER INDICATES BLOCKED TERMINAL POSITION CAVITY WITHOUT A NUMBER INDICATES OPEN TERMINAL POSITION																											
											DRESS COVER																											
MX123 CONN ASSY 73 CKT BLK OPT0 KEY A/54	345660004	C-HSG-A0	G-CAP-0-P	TPA-A0	RS	LS	MAL	CPA	MSEAL	RSEAL	-	-	-	-	68	-	66	65	-	-	62	-	-	-	58	-	-	-	-	-								
											-	-	50	49	-	47	46	-	-	42	-	-	-	-	-	-	-	-	-	-	-	-	-	-	-	-	-	-
											-	-	-	-	-	-	-	28	-	-	-	24	23	-	21	20	-	-	-	-	-	-	-	-	-	-	-	-
											-	-	-	-	-	-	-	-	-	-	-	-	-	-	-	-	4	3	-	-	-	-	-	-	-	-	-	-
MX123 CONN ASSY 73 CKT BLK OPT0 KEY A/52	345660044	C-HSG-A0	G-CAP-0-P	TPA-A0	RS	LS	MAL	CPA	MSEAL	RSEAL	-	-	-	-	68	-	66	65	-	63	62	-	-	-	58	-	-	-	-	-								
											-	-	50	49	-	47	46	-	-	42	-	-	-	-	-	-	-	-	-	-	-	-	-	-	-	-		
											-	-	-	-	-	-	-	28	-	-	-	24	23	-	21	20	-	-	-	-	-	-	-	-	-	-	-	
											-	-	-	-	-	-	-	-	-	-	-	-	-	-	-	-	4	-	-	-	-	-	-	-	-	-	-	1
MX123 CONN ASSY 73 CKT BLK OPT0 KEY A/53	345660064	C-HSG-A0	G-CAP-0-P	TPA-A0	RS	LS	MAL	CPA	MSEAL	RSEAL	-	-	-	-	68	-	66	65	-	-	62	-	-	-	58	-	-	-	-	-								
											-	-	50	49	-	47	46	-	-	42	-	-	-	-	-	-	-	-	-	-	-	-	-	-	-	33		
											-	-	-	-	-	-	-	28	-	-	-	24	23	-	21	20	-	-	-	-	-	-	-	-	-	-	-	
											-	-	-	-	-	-	-	-	-	-	-	-	-	-	-	-	4	3	-	-	-	-	-	-	-	-	-	

ASSEMBLY DESCRIPTION	ASSEMBLY PART NUMBER	CONNECTOR HOUSING	GROMMET CAP	TPA	RIGHT SLIDE	LEFT SLIDE	MATE ASSIST LEVER	CPA	MAT SEAL	RING SEAL	BLOCKED TERMINALS																		STATUS	COMMENTS	INTEGRAL COMPONENTS SOLD SEPARATELY				
											CAVITY WITH A NUMBER INDICATES BLOCKED TERMINAL POSITION																				DRESS COVER				
											CAVITY WITHOUT A NUMBER INDICATES OPEN TERMINAL POSITION																								
MX123 CONN ASSY 73 CKT BLK OPT0 KEY A/48	345660084	C-HSG-A0	G-CAP-0-P	TPA-A0	RS	LS	MAL	CPA	MSEAL	RSEAL	72	71	-	-	68	-	66	65	-	63	62	-	-	-	58	-	-	-	-	-					
											-	-	50	49	-	47	46	-	-	43	42	-	-	-	-	-	-	-	-	-	-	-	-	-	-
															32	-	-	-	28	-	-	-	24	23	-	21	20	-	18	17					
MX123 CONN ASSY 73 CKT GRY OPT0 KEY B/61	345660094	C-HSG-B0	G-CAP-0-P	TPA-B0	RS	LS	MAL	CPA	MSEAL	RSEAL	-	-	-	-	-	-	66	-	-	-	-	-	-	-	58	-	-	-	-	-					
											-	-	-	-	-	-	-	-	-	-	-	41	-	-	38	37	-	-	-	-	-	-	-	-	-
															-	-	-	-	-	-	-	-	-	-	-	20	19	18	17						
MX123 CONN ASSY 73 CKT GRY OPT0 KEY B/8	345660104	C-HSG-B0	G-CAP-0-P	TPA-B0	RS	LS	MAL	CPA	MSEAL	RSEAL	-	-	-	-	-	-	66	-	-	-	-	-	-	-	58	-	-	-	-	-					
											52	51	-	-	-	-	-	45	-	-	-	41	-	-	38	37	-	-	-	-	-	-	-	-	-
															-	-	-	-	-	-	-	-	-	-	-	20	19	18	17						
MX123 CONN ASSY 73 CKT GRY OPT0 KEY B/14	345660144	C-HSG-B9	G-CAP-9-P	TPA-B9	RS	LS	MAL	CPA	MSEAL	RSEAL	72	71	70	69	68	67	-	65	64	63	62	61	60	59	-	57	56	55	54	53					
											52	51	50	49	48	47	46	45	44	43	42	-	40	39	-	-	36	35	34	33					
															32	31	30	29	28	27	26	25	24	23	22	21	-	-	-	-	-				
MX123 CONN ASSY 73 CKT GRY OPT9 KEY B/14	345660144	C-HSG-B9	G-CAP-9-P	TPA-B9	RS	LS	MAL	CPA	MSEAL	RSEAL	-	-	-	-	-	-	-	-	-	-	-	-	-	-	58	-	-	-	-	-					
											-	-	-	-	-	-	-	-	-	-	-	41	-	-	38	37	-	-	-	-	-	-	-	-	-
															-	-	-	-	-	-	-	-	-	-	-	20	19	18	17						
MX123 CONN ASSY 73 CKT GRY OPT9 KEY B/26	345660124	C-HSG-B0	G-CAP-0-P	TPA-B0	RS	LS	MAL	CPA	MSEAL	RSEAL	-	71	70	69	68	67	66	65	64	63	-	-	-	-	58	57	56	-	54	53					
											-	51	50	49	-	-	-	45	44	43	42	41	-	39	38	37	36	35	34	-					
															32	31	-	29	28	27	26	25	24	23	-	-	-	-	-	-	-	-	2	1	
MX123 CONN ASSY 73 CKT GRY OPT0 KEY B/30	345660134	C-HSG-B0	G-CAP-0-P	TPA-B0	RS	LS	MAL	CPA	MSEAL	RSEAL	-	71	70	69	68	67	66	65	64	63	-	-	-	-	58	57	56	-	54	53					
											-	51	50	49	-	-	-	45	44	43	42	-	39	-	-	-	-	-	34	33					
															32	31	-	29	28	27	26	25	24	23	-	-	-	-	-	-	-	17			
MX123 CONN ASSY 73 CKT GRY OPT9 KEY B/34	345660174	C-HSG-B9	G-CAP-9-P	TPA-B9	RS	LS	MAL	CPA	MSEAL	RSEAL	-	-	-	69	68	-	-	65	64	63	62	61	-	59	58	-	56	55	54	-					
											-	-	-	49	48	-	-	45	44	43	42	41	40	-	38	-	36	-	34	-					
															32	31	-	-	-	27	26	-	-	-	-	21	-	-	18	-					
MX123 CONN ASSY 73 CKT GRY OPT9 KEY B/52	345660184	C-HSG-B9	G-CAP-9-P	TPA-B9	RS	LS	MAL	CPA	MSEAL	RSEAL	-	-	-	-	-	-	-	-	-	-	62	-	60	59	-	-	-	-	-						
											-	-	-	-	-	-	-	-	-	-	-	-	39	38	-	-	35	34	33						
															-	31	-	-	-	27	-	-	-	23	22	-	20	19	18	17					
MX123 CONN ASSY 73 CKT GRY OPT0 KEY B/73	345660203	C-HSG-B0	G-CAP-0-P	TPA-B0	RS	LS	MAL	CPA	MSEAL	RSEAL	-	-	-	-	-	-	-	-	-	-	-	-	-	-	-	-	-	-							
											-	-	-	-	-	-	-	-	-	-	-	-	-	-	-	-	-	-	-	-	-	-	-	-	
															-	-	-	-	-	-	-	-	-	-	-	-	-	-	-	-	-	-	-	-	-

ASSEMBLY DESCRIPTION	ASSEMBLY PART NUMBER	CONNECTOR HOUSING	GROMMET CAP	TPA	RIGHT SLIDE	LEFT SLIDE	MATE ASSIST LEVER	CPA	MAT SEAL	RING SEAL	BLOCKED TERMINALS																				STATUS	COMMENTS	INTEGRAL COMPONENTS SOLD SEPARATELY					
											CAVITY WITH A NUMBER INDICATES BLOCKED TERMINAL POSITION																						DRESS COVER					
											CAVITY WITHOUT A NUMBER INDICATES OPEN TERMINAL POSITION																											
MX123 CONN ASSY 73 CKT BLK OPT0 KEY A/42	345661153	C-HSG-A0	G-CAP-0-P	TPA-A0	RS	LS	MAL	CPA	MSEAL	RSEAL	72	71	-	69	68	-	-	-	64	63	62	61	60	59	-	-	56	-	54	53	SALEABLE		345650003					
											52	51	50	-	48	-	46	45	-	-	-	-	40	-	38	-	36	35	34	33								
															-	31	-	29	28	-	26	-	-	-	22	-	-	-	-	17								
											16	15	14	-	12	11	10	9	-	7	-	-	4	-	2	-												
MX123 CONN ASSY 73 CKT BLK OPT0 KEY A/27	345661173	C-HSG-A0	G-CAP-0-P	TPA-A0	RS	LS	MAL	CPA	MSEAL	RSEAL	-	-	70	-	-	67	66	-	-	-	-	-	-	-	-	57	-	55	-	53	SALEABLE		345650003					
											-	51	-	-	-	-	46	-	44	43	-	-	40	39	-	-	-	35	-	-								
															-	-	-	-	-	-	-	25	-	-	22	21	-	-	-	-								
											-	15	14	-	-	-	-	-	-	8	7	6	5	4	3	2	1											
MX123 CONN ASSY 73 CKT GRY OPT0 KEY B/48	345661183	C-HSG-B0	G-CAP-0-P	TPA-B0	RS	LS	MAL	CPA	MSEAL	RSEAL	72	71	70	69	68	67	-	-	-	63	-	61	60	-	58	-	56	-	54	-	SALEABLE		345650003					
											52	51	50	-	-	-	46	45	-	43	-	41	40	-	38	-	36	-	34	-								
															32	31	30	-	-	27	26	25	24	-	22	-	20	19	18	-								
											16	15	14	13	-	11	10	-	8	-	6	5	4	3	2	1												
MX123 CONN ASSY 73 CKT BLK OPT0 KEY A/32	345661193	C-HSG-A0	G-CAP-0-P	TPA-A0	RS	LS	MAL	CPA	MSEAL	RSEAL	-	-	70	-	-	-	-	65	-	-	-	61	-	-	58	57	56	55	-	-	SALEABLE		345650003					
											-	51	50	-	-	47	-	45	-	-	-	41	40	-	38	37	36	35	-	-								
															-	31	30	-	28	-	26	25	24	-	22	21	20	19	18	-								
											16	15	-	-	-	-	10	-	-	-	-	-	-	-	-	-												
MX123 CONN ASSY 73 CKT BLK OPT0 KEY A/36	345661213	C-HSG-A0	G-CAP-0-P	TPA-A0	RS	LS	MAL	CPA	MSEAL	RSEAL	-	-	70	-	-	-	-	65	-	-	-	61	60	-	58	57	56	55	-	-	SALEABLE		345650003					
											-	51	50	49	-	47	-	45	-	-	-	41	40	-	38	37	36	35	34	-								
															-	31	30	-	28	-	26	25	-	-	22	21	20	19	18	-								
											16	15	-	-	-	-	10	-	-	7	6	-	-	-	-	-												
MX123 CONN ASSY 73 CKT GRY OPT0 KEY B/48	345661223	C-HSG-B0	G-CAP-0-P	TPA-B0	RS	LS	MAL	CPA	MSEAL	RSEAL	72	71	70	69	68	-	-	-	64	-	-	61	60	-	58	-	56	-	54	-	SALEABLE		345650003					
											52	51	50	49	-	47	46	45	44	-	-	41	40	-	38	-	36	-	34	-								
															32	31	30	-	28	-	-	25	24	-	22	-	20	19	18	-								
											16	15	14	13	-	11	10	-	8	-	6	5	4	3	2	1												
MX123 CONN ASSY 73 CKT GRY OPT0 KEY B/52	345661233	C-HSG-B0	G-CAP-0-P	TPA-B0	RS	LS	MAL	CPA	MSEAL	RSEAL	72	71	70	69	68	67	66	-	64	63	-	61	60	-	58	-	56	-	54	-	SALEABLE		345650003					
											52	51	50	49	-	47	-	45	44	43	-	41	40	-	38	-	36	-	34	-								
															32	31	30	-	28	27	-	25	24	-	22	-	20	19	18	-								
											16	15	14	13	-	11	10	-	8	-	6	5	4	3	2	1												
MX123 CONN ASSY 73 CKT GRY OPT0 KEY B/51	345661243	C-HSG-B0	G-CAP-0-P	TPA-B0	RS	LS	MAL	CPA	MSEAL	RSEAL	72	71	70	69	68	67	66	65	64	63	62	61	60	-	58	-	56	-	54	-	SALEABLE		345650003					
											52	51	-	49	-	47	-	45	44	43	42	41	40	-	38	-	36	-	34	-								
															32	31	30	-	28	27	26	25	24	-	22	-	20	19	18	-								
											16	-	14	13	-	11	10	9	8	-	-	-	-	-	2	1												
MX123 CONN ASSY 73 CKT GRY OPT9 KEY B/55	345661253	C-HSG-B9	G-CAP-9-P	TPA-B9	RS	LS	MAL	CPA	MSEAL	RSEAL	72	71	70	69	68	67	66	-	64	63	62	61	-	-	58	-	56	-	54	-	SALEABLE		345650003					
											52	51	50	-	-	47	-	45	44	43	42	41	-	-	38	-	36	-	34	-								
															32	31	30	29	28	27	26	25	-	-	22	-	20	19	18	17								
											16	15	14	13	12	11	10	9	8	7	6	5	4	3	-	1												
MX123 CONN ASSY 73 CKT BLK OPT9 KEY A/32	345661263	C-HSG-A9	G-CAP-9-P	TPA-A9	RS	LS	MAL	CPA	MSEAL	RSEAL	-	-	70	-	-	-	-	65	-	-	-	61	60	-	58	57	-	55	54	-	SALEABLE		345650003					
											52	51	-	49	-	47	-	45	-	-	-	41	40	-	38	37	-	-	34	-								
															-	31	-	-	28	-	26	25	-	-	22	21	-	19	18	-								
											16	15	-	-	-	-	10	-	-	7	6	-	-	-	-	-												
MX123 CONN ASSY 73 CKT BLK OPT0 KEY A/33	345661273	C-HSG-A0	G-CAP-0-P	TPA-A0	RS	LS	MAL	CPA	MSEAL	RSEAL	72	71	-	-	-	67	66	-	-	-	62	-	60	-	-	-	-	55	54	53	SALEABLE		345650003					
											-	51	-	-	-	-	46	45	44	43	42	-	40	39	-	-	-	35	-	-								
															-	-	-	-	-	-	26	25	-	-	22	21	-	-	-	17								
											-	15	14	-	-	-	-	-	-	8	7	6	5	4	3	2	-											
MX123 CONN ASSY 73 CKT BLK OPT0 KEY A/28	345661283	C-HSG-A0	G-CAP-0-P	TPA-A0	RS	LS	MAL	CPA	MSEAL	RSEAL	-	-	-	-	-	67	-	-	-	-	62	-	60	-	-	-	-	55	-	53	SALEABLE		345650003					
											-	51	-	-	-	-	46	45	44	43	-	-	40	39	-	-	-	35	-	-								
															-	-	-	-	-	-	25	-	-	22	21	-	-	-	17									
											-	15	14	-	-	-	-	-	-	8	7	6	5	4	3	2	1											

ASSEMBLY DESCRIPTION	ASSEMBLY PART NUMBER	CONNECTOR HOUSING	GROMMET CAP	TPA	RIGHT SLIDE	LEFT SLIDE	MATE ASSIST LEVER	CPA	MAT SEAL	RING SEAL	BLOCKED TERMINALS																				STATUS	COMMENTS	INTEGRAL COMPONENTS SOLD SEPARATELY	
											CAVITY WITH A NUMBER INDICATES BLOCKED TERMINAL POSITION																						DRESS COVER	
											CAVITY WITHOUT A NUMBER INDICATES OPEN TERMINAL POSITION																							
MX123 CONN ASSY 73 CKT BLK OPT0 KEY A/38	345661293	C-HSG-A0	G-CAP-0-P	TPA-A0	RS	LS	MAL	CPA	MSEAL	RSEAL	72	71	70	69	-	67	66	-	64	-	62	-	60	-	-	57	-	55	54	53	SALEABLE		345650003	
											-	51	-	49	48	-	46	45	44	43	42	-	40	39	-	-	-	35	-	-				
											-	-	-	-	-	-	-	-	-	-	-	-	26	25	-	-	22	21	-	-	-			
											-	-	-	-	-	15	14	-	-	-	-	-	-	8	7	6	5	4	3	2	-			
MX123 CONN ASSY 73 CKT BLK OPT9 KEY A/73	345661303	C-HSG-A9	G-CAP-9-P	TPA-A9	RS	LS	MAL	CPA	MSEAL	RSEAL	-	-	-	-	-	-	-	-	-	-	-	-	-	-	-	-	-	-	-	-	SALEABLE		345650003	
											-	-	-	-	-	-	-	-	-	-	-	-	-	-	-	-	-	-	-	-				
											-	-	-	-	-	-	-	-	-	-	-	-	-	-	-	-	-	-	-	-				
MX123 CONN ASSY 73 CKT BLK OPT0 KEY A/4	345661323	C-HSG-A0	G-CAP-0-P	TPA-A0	RS	LS	MAL	CPA	MSEAL	RSEAL	-	-	-	-	-	-	-	-	-	-	-	-	61	-	-	-	-	-	-	-	SALEABLE		345650003	
											-	-	-	-	-	-	-	-	-	-	-	-	-	-	-	-	-	-	-	-				
											-	-	-	-	-	-	-	-	-	-	-	-	26	-	-	-	-	-	-	-				
											-	-	-	-	-	-	-	-	-	-	-	-	10	-	-	-	-	-	-	-				
MX123 CONN ASSY 73 CKT BLK OPT0 KEY A/36	345661333	C-HSG-A0	G-CAP-0-P	TPA-A0	RS	LS	MAL	CPA	MSEAL	RSEAL	72	71	-	-	-	67	66	-	-	63	62	61	60	-	-	-	57	-	55	54	53	SALEABLE		345650003
											-	51	-	-	48	-	46	45	44	43	42	-	40	39	-	-	-	35	-	33				
											-	-	-	-	-	-	-	-	-	-	-	-	26	25	24	-	22	21	-	-	-			
											-	-	-	-	-	15	14	-	-	-	-	-	-	-	7	-	5	4	3	2	-			
MX123 CONN ASSY 73 CKT BLK OPT0 KEY A/31	345661343	C-HSG-A0	G-CAP-0-P	TPA-A0	RS	LS	MAL	CPA	MSEAL	RSEAL	-	-	70	-	68	-	66	-	-	-	62	61	60	-	-	-	-	55	54	53	SALEABLE		345650003	
											52	51	-	-	-	-	46	45	44	43	42	-	40	39	-	-	-	35	-	33				
											-	-	-	-	-	-	-	-	-	-	-	26	25	24	-	22	21	-	-	-				
											-	-	-	-	-	15	14	-	-	-	-	-	8	-	-	5	-	-	2	-				
MX123 CONN ASSY 73 CKT BLK OPT0 KEY A/38	345661363	C-HSG-A0	G-CAP-0-P	TPA-A0	RS	LS	MAL	CPA	MSEAL	RSEAL	-	-	70	-	-	-	-	65	-	-	-	61	60	-	58	57	56	55	54	-	SALEABLE		345650003	
											52	51	50	49	-	47	-	45	-	-	-	41	40	-	38	37	36	35	34	-				
											-	-	-	-	-	31	30	-	28	-	26	25	-	-	22	21	20	19	18	-				
											-	-	-	-	-	16	15	-	-	-	-	10	-	-	7	6	-	-	-	-				
MX123 CONN ASSY 73 CKT GRY OPT0 KEY B/51	345661373	C-HSG-B0	G-CAP-0-P	TPA-B0	RS	LS	MAL	CPA	MSEAL	RSEAL	72	71	70	69	68	67	-	-	64	63	-	61	60	-	58	-	56	-	54	-	SALEABLE		345650003	
											52	51	50	49	-	47	-	45	44	43	-	41	40	-	38	-	36	-	34	-				
											-	-	-	-	-	32	31	30	-	28	27	-	25	24	-	22	-	20	19	18	-			
											-	-	-	-	-	16	15	14	13	-	11	10	-	8	-	6	5	4	3	2	1			
MX123 CONN ASSY 73 CKT GRY OPT0 KEY B/51	345661383	C-HSG-B0	G-CAP-0-P	TPA-B0	RS	LS	MAL	CPA	MSEAL	RSEAL	72	71	70	69	68	67	66	-	64	63	62	61	60	-	-	-	56	-	54	-	SALEABLE		345650003	
											52	51	50	-	-	-	-	45	44	43	42	41	40	-	-	-	36	-	34	-				
											-	-	-	-	-	32	31	30	-	28	27	26	25	24	-	-	-	20	19	18	-			
											-	-	-	-	-	16	15	14	13	-	11	10	9	8	-	6	5	4	3	2	1			
MX123 CONN ASSY 73 CKT BLK OPT0 KEY A/41	345661393	C-HSG-A0	G-CAP-0-P	TPA-A0	RS	LS	MAL	CPA	MSEAL	RSEAL	72	71	-	69	68	-	-	65	64	63	62	-	60	59	-	-	56	-	-	53	SALEABLE		345650003	
											52	51	50	49	48	-	46	-	-	-	-	-	40	-	38	-	36	35	-	33				
											-	-	-	-	-	31	-	29	28	-	26	-	-	23	22	-	-	-	-	17				
											-	-	-	-	-	16	15	14	-	12	-	10	9	8	7	-	-	4	-	2	-			
MX123 CONN ASSY 73 CKT GRY OPT9 KEY B/73	345661403	C-HSG-B9	G-CAP-9-P	TPA-B9	RS	LS	MAL	CPA	MSEAL	RSEAL	-	-	-	-	-	-	-	-	-	-	-	-	-	-	-	-	-	-	-	-	SALEABLE		345650003	
											-	-	-	-	-	-	-	-	-	-	-	-	-	-	-	-	-	-	-	-				
											-	-	-	-	-	-	-	-	-	-	-	-	-	-	-	-	-	-	-	-				
MX123 CONN ASSY 73 CKT GRY OPT0 KEY B/25	345661423	C-HSG-B0	G-CAP-0-P	TPA-B0	RS	LS	MAL	CPA	MSEAL	RSEAL	72	71	70	69	-	-	-	-	64	63	62	-	-	-	-	-	56	55	-	-	SALEABLE		345650003	
											52	-	-	-	-	-	-	-	44	-	-	-	-	-	-	-	36	-	-	-				
											-	-	-	-	-	-	-	29	28	27	-	25	-	-	-	-	-	19	18	17				
											-	-	-	-	-	-	-	12	11	-	-	-	-	-	-	-	-	3	2	1				
MX123 CONN ASSY 73 CKT GRY OPT0 KEY B/52	345661433	C-HSG-B0	G-CAP-0-P	TPA-B0	RS	LS	MAL	CPA	MSEAL	RSEAL	72	71	70	69	68	67	-	65	-	63	62	61	60	-	58	-	56	-	54	-	SALEABLE		345650003	
											52	51	50	-	-	47	-	45	44	43	42	41	40	-	38	-	36	-	34	-				
											-	-	-	-	-	31	30	-	28	27	26	25	24	-	22	-	20	19	-	-				
											-	-	-	-	-	16	15	14	13	-	11	10	9	8	-	6	5	4	3	2	1			

ASSEMBLY DESCRIPTION	ASSEMBLY PART NUMBER	CONNECTOR HOUSING	GROMMET CAP	TPA	RIGHT SLIDE	LEFT SLIDE	MATE ASSIST LEVER	CPA	MAT SEAL	RING SEAL	BLOCKED TERMINALS																				STATUS	COMMENTS	INTEGRAL COMPONENTS SOLD SEPARATELY
											CAVITY WITH A NUMBER INDICATES BLOCKED TERMINAL POSITION																						DRESS COVER
											CAVITY WITHOUT A NUMBER INDICATES OPEN TERMINAL POSITION																						
MX123 CONN ASSY 73 CKT GRY OPT0 KEY B/51	345661443	C-HSG-B0	G-CAP-0-P	TPA-B0	RS	LS	MAL	CPA	MSEAL	RSEAL	72	71	70	-	-	67	-	65	64	63	62	61	60	-	58	-	56	-	54	-			
											52	51	50	-	-	47	-	45	44	43	42	41	40	-	38	-	36	-	34	-			
																32	31	30	-	28	27	26	25	24	-	22	-	20	19	18	-		
																16	15	14	13	-	-	-	9	8	-	6	5	4	3	2	1		
MX123 CONN ASSY 73 CKT GRY OPT0 KEY B/47	345661453	C-HSG-B0	G-CAP-0-P	TPA-B0	RS	LS	MAL	CPA	MSEAL	RSEAL	72	71	70	69	68	67	-	-	-	63	-	61	60	-	58	-	56	-	54	-			
											52	51	50	-	-	-	46	45	-	43	-	41	40	-	38	-	36	-	34	-			
																32	31	30	-	-	27	-	25	24	-	22	-	20	19	18	-		
																16	15	14	13	-	11	10	-	8	-	6	5	4	3	2	1		
MX123 CONN ASSY 73 CKT BLK OPT0 KEY A/31	345661463	C-HSG-A0	G-CAP-0-P	TPA-A0	RS	LS	MAL	CPA	MSEAL	RSEAL	72	71	70	-	-	67	66	-	-	-	-	-	-	-	-	57	-	55	54	53			
											-	51	-	-	-	-	46	-	44	43	42	-	40	39	-	-	-	35	-	-			
																-	-	-	-	-	-	26	25	-	-	22	21	-	-	-	-		
																-	15	14	-	-	-	-	-	8	7	6	5	4	3	2	-		
MX123 CONN ASSY 73 CKT BLK OPT0 KEY A/32	345661473	C-HSG-A0	G-CAP-0-P	TPA-A0	RS	LS	MAL	CPA	MSEAL	RSEAL	-	-	70	-	-	-	-	65	-	-	-	61	60	-	58	57	56	55	-	-			
											-	51	50	-	-	47	-	45	-	-	-	41	40	-	38	37	36	35	-	-			
																-	31	30	-	28	-	26	25	-	-	22	21	20	19	18	-		
																16	15	-	-	-	-	10	-	-	-	-	-	-	-	-	-		
MX123 CONN ASSY 73 CKT BLK OPT0 KEY A/33	345661483	C-HSG-A0	G-CAP-0-P	TPA-A0	RS	LS	MAL	CPA	MSEAL	RSEAL	-	-	70	-	-	67	66	-	-	-	62	-	60	-	-	57	-	55	54	53			
											-	51	-	-	48	-	46	45	44	43	42	-	40	39	-	-	-	35	-	-			
																-	-	-	-	-	-	26	25	-	-	22	21	-	-	-	-		
																-	15	14	-	-	-	-	-	8	7	6	5	4	3	2	-		
MX123 CONN ASSY 73 CKT GRY OPT0 KEY B/49	345661493	C-HSG-B0	G-CAP-0-P	TPA-B0	RS	LS	MAL	CPA	MSEAL	RSEAL	72	71	70	69	-	67	66	65	64	63	62	61	60	-	-	-	56	-	54	-			
											52	51	50	-	-	47	-	45	44	43	42	41	40	-	-	-	36	-	34	-			
																32	31	30	-	28	27	26	25	24	-	-	-	20	19	-	-		
																16	15	14	13	-	-	-	9	8	-	6	5	4	3	2	1		
MX123 CONN ASSY 73 CKT BLU OPT9 KEY C/73	345661503	C-HSG-C9	G-CAP-9-P	TPA-C9	RS	LS	MAL	CPA	MSEAL	RSEAL	-	-	-	-	-	-	-	-	-	-	-	-	-	-	-	-	-	-					
											-	-	-	-	-	-	-	-	-	-	-	-	-	-	-	-	-	-	-	-			
																-	-	-	-	-	-	-	-	-	-	-	-	-	-	-	-		
																-	-	-	-	-	-	-	-	-	-	-	-	-	-	-	-		
MX123 CONN ASSY 73 CKT GRY OPT0 KEY B/55	345661513	C-HSG-B0	G-CAP-0-P	TPA-B0	RS	LS	MAL	CPA	MSEAL	RSEAL	72	71	70	69	68	67	66	-	64	63	62	61	60	-	58	-	56	-	54	-			
											52	51	50	-	-	47	-	45	44	43	42	41	40	-	38	-	36	-	34	-			
																32	31	30	-	28	27	26	25	24	-	22	-	20	19	18	-		
																16	15	14	13	-	11	10	9	8	-	6	5	4	3	2	1		
MX123 CONN ASSY 73 CKT BLK OPT0 KEY A/34	345661523	C-HSG-A0	G-CAP-0-P	TPA-A0	RS	LS	MAL	CPA	MSEAL	RSEAL	72	71	-	-	-	67	66	-	-	63	62	61	60	-	-	57	-	55	-	53			
											-	51	-	-	48	-	46	45	44	43	-	-	40	39	-	-	-	35	-	33			
																-	-	-	-	-	-	-	25	24	-	22	21	-	-	-	-		
																-	15	14	-	-	-	-	-	-	7	6	5	4	3	2	-		
MX123 CONN ASSY 73 CKT BLK OPT0 KEY A/28	345661533	C-HSG-A0	G-CAP-0-P	TPA-A0	RS	LS	MAL	CPA	MSEAL	RSEAL	-	-	-	-	-	67	66	-	-	-	62	-	60	-	-	-	55	54	53				
											-	-	-	-	48	-	46	45	44	43	42	-	40	39	-	-	-	35	-	-			
																-	-	-	-	-	-	26	25	-	-	22	21	-	-	-	-		
																-	15	14	-	-	-	-	-	8	7	6	5	4	-	-	-		
MX123 CONN ASSY 73 CKT GRY OPT0 KEY B/53	345661543	C-HSG-B0	G-CAP-0-P	TPA-B0	RS	LS	MAL	CPA	MSEAL	RSEAL	72	71	70	-	-	67	-	65	64	63	62	61	60	-	58	-	56	-	54	-			
											52	51	50	-	-	47	-	45	44	43	42	41	40	-	38	-	36	-	34	-			
																32	31	30	-	28	27	26	25	24	-	22	-	20	19	18	17		
																16	15	14	13	12	-	-	9	8	-	6	5	4	3	2	1		
MX123 CONN ASSY 73 CKT BLK OPT0 KEY A/73	345661553	C-HSG-A0	G-CAP-0-P	TPA-A0	RS	LS	MAL	CPA	MSEAL	RSEAL	72	71	70	69	68	67	66	65	64	63	62	61	60	59	58	57	56	55	54	53			
											52	51	50	49	48	47	46	45	44	43	42	41	40	39	38	37	36	35	34	33			
																32	31	30	29	28	27	26	25	24	23	22	21	20	19	18	17		
																16	15	14	13	12	11	10	9	8	7	6	5	4	3	2	1		

ASSEMBLY DESCRIPTION	ASSEMBLY PART NUMBER	CONNECTOR HOUSING	GROMMET CAP	TPA	RIGHT SLIDE	LEFT SLIDE	MATE ASSIST LEVER	CPA	MAT SEAL	RING SEAL	BLOCKED TERMINALS																				STATUS	COMMENTS	INTEGRAL COMPONENTS SOLD SEPARATELY
											CAVITY WITH A NUMBER INDICATES BLOCKED TERMINAL POSITION										CAVITY WITHOUT A NUMBER INDICATES OPEN TERMINAL POSITION												DRESS COVER
											72	71	70	69	68	67	66	65	64	63	62	61	60	59	58	57	56	55	54	53			
MX123 CONN ASSY 73 CKT BLK OPT9 KEY A/73	345661563	C-HSG-A9	G-CAP-9-P	TPA-A9	RS	LS	MAL	CPA	MSEAL	RSEAL	72	71	70	69	68	67	66	65	64	63	62	61	60	59	58	57	56	55	54	53			
											52	51	50	49	48	47	46	45	44	43	42	41	40	39	38	37	36	35	34	33			
											-	-	-	-	32	31	30	29	28	27	26	25	24	23	22	21	20	19	18	17			
MX123 CONN ASSY 73 CKT BLK OPT0 KEY A/35	345661583	C-HSG-A0	G-CAP-0-P	TPA-A0	RS	LS	MAL	CPA	MSEAL	RSEAL	72	71	-	69	68	-	-	-	64	63	62	-	60	59	-	-	56	-	-	53			
											52	51	50	-	48	-	46	-	-	-	-	40	-	38	-	36	35	-	33				
											-	-	-	-	-	31	-	29	28	-	26	-	-	23	22	-	-	-	-	-			
MX123 CONN ASSY 73 CKT GRY OPT0 KEY B/30	345661593	C-HSG-B0	G-CAP-0-P	TPA-B0	RS	LS	MAL	CPA	MSEAL	RSEAL	72	71	70	69	68	-	66	-	64	63	62	-	-	-	-	56	55	-	-				
											52	-	-	-	-	-	-	-	44	-	-	41	-	-	38	-	36	35	-	-			
											-	-	-	-	-	-	-	29	28	27	-	25	-	-	-	-	-	19	18	17			
MX123 CONN ASSY 73 CKT GRY OPT0 KEY B/51	345661623	C-HSG-B0	G-CAP-0-P	TPA-B0	RS	LS	MAL	CPA	MSEAL	RSEAL	72	71	70	69	68	67	-	-	64	63	62	61	60	-	58	-	56	-	54	-			
											52	51	50	49	-	-	46	45	44	43	-	41	40	-	38	-	36	-	34	-			
											-	-	-	-	32	31	30	-	28	27	-	25	24	-	22	-	20	19	18	-			
MX123 CONN ASSY 73 CKT GRY OPT0 KEY B/46	345661633	C-HSG-B0	G-CAP-0-P	TPA-B0	RS	LS	MAL	CPA	MSEAL	RSEAL	72	71	70	-	-	67	-	65	64	63	62	61	60	-	58	-	56	-	54	-			
											52	51	-	49	-	-	46	45	44	43	42	41	40	-	38	-	36	-	34	-			
											-	-	-	-	32	31	30	-	28	27	26	25	24	-	22	-	20	19	18	-			
MX123 CONN ASSY 73 CKT GRY OPT0 KEY B/46	345661643	C-HSG-B0	G-CAP-0-P	TPA-B0	RS	LS	MAL	CPA	MSEAL	RSEAL	72	71	70	-	-	67	-	65	64	63	62	61	60	-	58	-	56	-	54	-			
											52	51	-	49	-	47	-	45	44	43	42	41	40	-	38	-	36	-	34	-			
											-	-	-	-	32	31	30	-	28	27	26	25	24	-	22	-	20	19	18	-			
MX123 CONN ASSY 73 CKT GRY OPT0 KEY B/50	345661653	C-HSG-B0	G-CAP-0-P	TPA-B0	RS	LS	MAL	CPA	MSEAL	RSEAL	72	71	70	69	68	67	-	65	64	63	62	61	60	-	58	-	56	-	54	-			
											52	51	-	49	-	47	-	45	44	43	42	41	40	-	38	-	36	-	34	-			
											-	-	-	-	32	31	30	-	28	27	26	25	24	-	22	-	20	19	18	-			
MX123 CONN ASSY 73 CKT GRY OPT0 KEY B/52	345661663	C-HSG-B0	G-CAP-0-P	TPA-B0	RS	LS	MAL	CPA	MSEAL	RSEAL	72	71	70	69	68	67	-	65	64	63	62	61	60	-	58	-	56	-	54	-			
											52	51	-	49	-	47	-	45	44	43	42	41	40	-	38	-	36	-	34	-			
											-	-	-	-	32	31	30	-	28	27	26	25	24	-	22	-	20	19	18	17			
MX123 CONN ASSY 73 CKT BLK OPT0 KEY A/22	345661673	C-HSG-A0	G-CAP-0-P	TPA-A0	RS	LS	MAL	CPA	MSEAL	RSEAL	-	-	-	-	-	-	-	-	-	-	-	61	-	-	58	57	56	-	-	-			
											-	51	50	-	-	47	46	-	-	-	-	-	-	-	38	37	36	-	-	-			
											-	-	-	-	-	31	30	-	28	-	26	-	-	-	22	21	20	-	-	-			
MX123 CONN ASSY 73 CKT GRY OPT0 KEY B/39	345661683	C-HSG-B0	G-CAP-0-P	TPA-B0	RS	LS	MAL	CPA	MSEAL	RSEAL	72	71	70	69	68	67	-	65	64	-	62	61	60	-	-	-	-	-	54	-			
											52	51	-	-	-	47	46	45	44	-	42	41	40	-	-	-	-	-	34	-			
											-	-	-	-	32	31	30	-	28	-	26	25	24	-	-	-	20	19	18	17			
MX123 CONN ASSY 73 CKT GRY OPT0 KEY B/53	345661693	C-HSG-B0	G-CAP-0-P	TPA-B0	RS	LS	MAL	CPA	MSEAL	RSEAL	72	71	70	69	68	67	-	65	-	63	62	61	60	-	58	-	56	-	54	-			
											52	51	50	-	-	47	-	45	44	43	42	41	40	-	38	-	36	-	34	-			
											-	-	-	-	-	31	30	-	28	27	26	25	24	-	22	-	20	19	18	-			
MX123 CONN ASSY 73 CKT GRY OPT0 KEY B/21	345661713	C-HSG-B0	G-CAP-0-P	TPA-B0	RS	LS	MAL	CPA	MSEAL	RSEAL	72	-	-	69	-	67	-	-	-	-	62	61	-	-	-	-	-	-	-	-			
											52	-	-	-	-	47	-	-	44	-	42	-	-	-	-	-	-	34	-				
											-	-	-	-	-	-	-	29	28	27	26	25	-	-	-	21	-	-	18	17			

ASSEMBLY DESCRIPTION	ASSEMBLY PART NUMBER	CONNECTOR HOUSING	GROMMET CAP	TPA	RIGHT SLIDE	LEFT SLIDE	MATE ASSIST LEVER	CPA	MAT SEAL	RING SEAL	BLOCKED TERMINALS																		STATUS	COMMENTS	INTEGRAL COMPONENTS SOLD SEPARATELY			
											CAVITY WITH A NUMBER INDICATES BLOCKED TERMINAL POSITION																				DRESS COVER			
											CAVITY WITHOUT A NUMBER INDICATES OPEN TERMINAL POSITION																							
MX123 CONN ASSY 73 CKT GRY OPT0 KEY B/28	345661723	C-HSG-B0	G-CAP-0-P	TPA-B0	RS	LS	MAL	CPA	MSEAL	RSEAL	72	-	-	69	-	67	-	-	64	63	62	61	-	-	-	-	56	55	-	-				
											52	-	-	-	-	47	-	-	44	-	42	-	-	-	-	-	-	-	-	-	-	-	34	-
																													-	-	-	29	28	27
MX123 CONN ASSY 73 CKT BLK OPT0 KEY A/35	345661733	C-HSG-A0	G-CAP-0-P	TPA-A0	RS	LS	MAL	CPA	MSEAL	RSEAL	72	71	-	69	-	-	-	64	63	62	61	60	59	-	-	56	-	54	53					
											52	51	50	-	48	-	46	45	-	-	-	-	40	-	38	-	36	-	34	33				
																													-	-	31	-	29	28
MX123 CONN ASSY 73 CKT BLK OPT0 KEY A/36	345661743	C-HSG-A0	G-CAP-0-P	TPA-A0	RS	LS	MAL	CPA	MSEAL	RSEAL	72	71	-	69	68	-	-	-	64	63	62	61	60	59	-	-	56	-	54	53				
											52	51	50	-	48	-	46	45	-	-	-	-	40	-	38	-	36	-	34	33				
																													-	-	31	-	29	28
MX123 CONN ASSY 73 CKT BLK OPT0 KEY A/40	345661753	C-HSG-A0	G-CAP-0-P	TPA-A0	RS	LS	MAL	CPA	MSEAL	RSEAL	72	71	-	69	68	-	-	-	64	63	62	61	60	59	-	-	56	-	54	53				
											52	51	50	-	48	-	46	45	-	-	-	-	40	-	38	-	36	-	34	33				
																													-	-	31	30	29	28
MX123 CONN ASSY 73 CKT GRY OPT0 KEY B/31	345661763	C-HSG-B0	G-CAP-0-P	TPA-B0	RS	LS	MAL	CPA	MSEAL	RSEAL	72	71	70	69	68	-	66	-	64	63	62	-	-	-	-	56	55	-	-					
											52	-	-	-	-	-	-	-	44	-	42	41	-	-	38	-	36	35	-	-				
																													-	-	-	29	28	27
MX123 CONN ASSY 73 CKT BLU OPT0 KEY C/41	345661773	C-HSG-C0	G-CAP-0-P	TPA-C0	RS	LS	MAL	CPA	MSEAL	RSEAL	-	71	-	69	68	-	-	65	64	-	-	61	60	-	58	-	56	55	54	-				
											-	-	50	49	48	47	-	45	-	43	-	41	-	-	38	37	36	35	-	-				
																													32	31	-	29	28	-
MX123 CONN ASSY 73 CKT BLU OPT0 KEY C/42	345661783	C-HSG-C0	G-CAP-0-P	TPA-C0	RS	LS	MAL	CPA	MSEAL	RSEAL	-	71	-	69	68	-	-	65	64	-	-	61	60	-	58	-	56	55	54	-				
											-	-	50	49	48	47	-	45	-	43	-	41	-	-	38	37	36	35	-	-				
																													32	31	-	29	28	27
MX123 CONN ASSY 73 CKT BLK OPT0 KEY A/38	345661793	C-HSG-A0	G-CAP-0-P	TPA-A0	RS	LS	MAL	CPA	MSEAL	RSEAL	72	71	70	-	68	67	66	65	64	-	-	-	60	59	-	-	-	-	-	-				
											-	-	50	-	48	47	46	45	-	-	-	-	40	39	38	-	-	-	-	-	-			
																													-	31	30	-	-	-
MX123 CONN ASSY 73 CKT NAT OPT9 KEY F/73	345661803	C-HSG-F9	G-CAP-9-P	TPA-F9	RS	LS	MAL	CPA	MSEAL	RSEAL	-	-	-	-	-	-	-	-	-	-	-	-	-	-	-	-	-	-	-					
											-	-	-	-	-	-	-	-	-	-	-	-	-	-	-	-	-	-	-	-	-			
																													-	-	-	-	-	-
MX123 CONN ASSY 73 CKT GRY OPT0 KEY B/24	345661813	C-HSG-B0	G-CAP-0-P	TPA-B0	RS	LS	MAL	CPA	MSEAL	RSEAL	-	-	-	69	-	-	-	65	64	63	-	-	-	-	-	-	-	-	-					
											-	-	-	49	-	-	-	45	44	43	-	-	-	-	-	-	-	-	-	-	-			
																													-	-	-	-	-	-
MX123 CONN ASSY 73 CKT BLK OPT0 KEY A/25	345661823	C-HSG-A0	G-CAP-0-P	TPA-A0	RS	LS	MAL	CPA	MSEAL	RSEAL	-	-	-	-	-	67	-	-	-	63	62	-	60	-	-	57	-	55	-	-				
											-	51	-	-	48	-	46	45	44	43	-	-	40	39	-	-	-	-	-	-	-			
																													-	-	-	-	-	-
MX123 CONN ASSY 73 CKT BLK OPT0 KEY A/38	345661833	C-HSG-A0	G-CAP-0-P	TPA-A0	RS	LS	MAL	CPA	MSEAL	RSEAL	72	71	70	69	-	67	66	-	64	-	62	-	60	-	-	57	-	55	54	53				
											-	51	-	49	48	-	46	45	44	43	42	-	40	39	-	-	-	35	-	-	-			
																													-	-	-	-	-	-

ASSEMBLY DESCRIPTION	ASSEMBLY PART NUMBER	CONNECTOR HOUSING	GROMMET CAP	TPA	RIGHT SLIDE	LEFT SLIDE	MATE ASSIST LEVER	CPA	MAT SEAL	RING SEAL	BLOCKED TERMINALS																				STATUS	COMMENTS	INTEGRAL COMPONENTS SOLD SEPARATELY		
											CAVITY WITH A NUMBER INDICATES BLOCKED TERMINAL POSITION																						DRESS COVER		
											CAVITY WITHOUT A NUMBER INDICATES OPEN TERMINAL POSITION																								
MX123 CONN ASSY 73 CKT BLK OPT0 KEY A/33	345661843	C-HSG-A0	G-CAP-0-P	TPA-A0	RS	LS	MAL	CPA	MSEAL	RSEAL	72	71	70	69	-	67	66	-	64	-	62	-	60	-	-	57	-	55	54	-					
											-	51	-	49	48	-	46	45	44	43	42	-	40	39	-	-	-	-	-	-	-	-	-	-	-
																					-	-	-	-	-	-	26	25	-	-	-	-	-	-	-
MX123 CONN ASSY 73 CKT BLK OPT0 KEY A/22	345661853	C-HSG-A0	G-CAP-0-P	TPA-A0	RS	LS	MAL	CPA	MSEAL	RSEAL	-	71	-	-	-	-	66	-	64	-	62	-	-	59	58	-	-	-	-	-					
											-	51	-	-	-	-	46	45	-	-	42	-	-	39	38	-	-	-	-	-	-	-	-	-	
																					32	31	-	-	-	27	26	-	-	23	22	-	-	-	-
MX123 CONN ASSY 73 CKT GRY OPT0 KEY B/56	345661863	C-HSG-B0	G-CAP-0-P	TPA-B0	RS	LS	MAL	CPA	MSEAL	RSEAL	72	71	70	69	-	-	-	-	-	-	62	61	60	59	58	57	56	55	54	53					
											52	51	50	49	48	47	-	-	44	-	42	41	40	39	38	37	36	35	34	33	-	-	-	-	
																					-	31	-	-	-	-	26	25	24	23	22	21	20	19	18
MX123 CONN ASSY 73 CKT BLU OPT0 KEY C/40	345661873	C-HSG-C0	G-CAP-0-P	TPA-C0	RS	LS	MAL	CPA	MSEAL	RSEAL	-	71	-	69	68	-	-	65	64	-	-	61	60	-	58	-	56	55	54	-					
											-	-	50	49	48	47	-	45	-	43	-	41	-	-	38	37	36	35	-	-	-	-	-	-	
																					-	31	-	29	28	-	-	24	23	-	-	-	19	18	17
MX123 CONN ASSY 73 CKT BLK OPT0 KEY A/34	345661883	C-HSG-A0	G-CAP-0-P	TPA-A0	RS	LS	MAL	CPA	MSEAL	RSEAL	72	71	-	69	-	-	-	-	64	63	62	61	60	59	-	-	56	-	54	53					
											52	51	50	-	48	-	46	45	-	-	-	-	-	38	-	36	-	34	33	-	-	-	-	-	
																					-	31	-	29	28	-	26	-	-	23	22	-	-	-	-
MX123 CONN ASSY 73 CKT BLU OPT0 KEY C/42	345661893	C-HSG-C0	G-CAP-0-P	TPA-C0	RS	LS	MAL	CPA	MSEAL	RSEAL	-	71	-	69	68	67	-	65	64	-	62	61	60	-	58	-	56	55	54	-					
											-	-	50	49	48	47	-	45	-	43	-	41	-	-	38	37	36	35	-	-	-	-	-	-	
																					-	31	-	29	28	-	-	24	23	-	-	-	19	18	17
MX123 CONN ASSY 73 CKT GRY OPT0 KEY B/42	345661913	C-HSG-B0	G-CAP-0-P	TPA-B0	RS	LS	MAL	CPA	MSEAL	RSEAL	-	71	-	69	-	67	-	65	64	63	62	61	-	-	58	57	56	-	-	-					
											-	51	-	49	-	47	-	45	44	43	42	41	-	-	38	37	36	-	-	-	-	-	-	-	
																					-	-	-	-	-	-	-	-	23	22	21	20	19	18	17
MX123 CONN ASSY 73 CKT BLK OPT0 KEY A/46	345661923	C-HSG-A0	G-CAP-0-P	TPA-A0	RS	LS	MAL	CPA	MSEAL	RSEAL	72	71	70	-	68	67	66	65	64	-	62	61	60	59	-	57	-	-	-	-					
											-	-	50	-	48	47	46	45	-	-	-	-	40	39	38	37	-	-	-	-	-	-	-	-	
																					-	31	30	29	-	27	-	25	24	23	22	21	20	-	-
MX123 CONN ASSY 73 CKT BLK OPT0 KEY A/35	345661933	C-HSG-A0	G-CAP-0-P	TPA-A0	RS	LS	MAL	CPA	MSEAL	RSEAL	72	71	-	69	68	-	-	-	64	63	62	61	60	59	-	-	56	-	54	53					
											52	51	50	-	48	-	46	45	-	-	-	-	-	38	-	36	-	34	33	-	-	-	-	-	
																					-	31	-	29	28	-	26	-	-	23	22	-	-	-	-
MX123 CONN ASSY 73 CKT BLK OPT0 KEY A/34	345661943	C-HSG-A0	G-CAP-0-P	TPA-A0	RS	LS	MAL	CPA	MSEAL	RSEAL	72	71	-	69	68	-	-	-	64	63	62	61	60	59	-	-	56	-	54	53					
											52	-	50	-	48	-	46	45	-	-	-	-	-	38	-	36	-	34	33	-	-	-	-	-	
																					-	31	-	29	28	-	26	-	-	23	22	-	-	-	-
MX123 CONN ASSY 73 CKT BLU OPT0 KEY C/42	345661953	C-HSG-C0	G-CAP-0-P	TPA-C0	RS	LS	MAL	CPA	MSEAL	RSEAL	-	71	-	69	68	67	-	65	64	-	62	61	60	-	58	-	56	55	54	-					
											-	-	50	49	-	-	-	45	-	43	-	41	-	-	38	37	36	35	-	-	-	-	-	-	
																					32	31	-	29	28	27	-	-	24	23	-	-	-	19	18
MX123 CONN ASSY 73 CKT BLU OPT0 KEY C/44	345661963	C-HSG-C0	G-CAP-0-P	TPA-C0	RS	LS	MAL	CPA	MSEAL	RSEAL	-	71	-	69	68	67	-	65	64	-	62	61	60	-	58	-	56	55	54	-					
											-	-	50	49	48	47	-	45	-	43	-	41	-	-	38	37	36	35	-	-	-	-	-	-	
																					32	31	-	29	28	27	-	-	24	23	-	-	-	19	18

ASSEMBLY DESCRIPTION	ASSEMBLY PART NUMBER	CONNECTOR HOUSING	GROMMET CAP	TPA	RIGHT SLIDE	LEFT SLIDE	MATE ASSIST LEVER	CPA	MAT SEAL	RING SEAL	BLOCKED TERMINALS																STATUS	COMMENTS	INTEGRAL COMPONENTS SOLD SEPARATELY		
											CAVITY WITH A NUMBER INDICATES BLOCKED TERMINAL POSITION																		DRESS COVER		
											CAVITY WITHOUT A NUMBER INDICATES OPEN TERMINAL POSITION																				
MX123 CONN ASSY 73 CKT BLK OPT0 KEY A/43	345661973	C-HSG-A0	G-CAP-0-P	TPA-A0	RS	LS	MAL	CPA	MSEAL	RSEAL	72	71	70	-	68	67	66	65	64	-	62	61	60	59	58	57	-	-	-	-	
											-	-	50	-	48	47	46	45	-	-	-	-	40	39	38	37	-	-	-	-	
																											-	31	30	29	-
MX123 CONN ASSY 73 CKT GRY OPT0 KEY B/73	345661983	C-HSG-B0	G-CAP-0-P	TPA-B0	RS	LS	MAL	CPA	MSEAL	RSEAL	72	71	70	69	68	67	66	65	64	63	62	61	60	59	58	57	56	55	54	53	
											52	51	50	49	48	47	46	45	44	43	42	41	40	39	38	37	36	35	34	33	
																											32	31	30	29	28
MX123 CONN ASSY 73 CKT BLU OPT0 KEY C/73	345661993	C-HSG-C0	G-CAP-0-P	TPA-C0	RS	LS	MAL	CPA	MSEAL	RSEAL	72	71	70	69	68	67	66	65	64	63	62	61	60	59	58	57	56	55	54	53	
											52	51	50	49	48	47	46	45	44	43	42	41	40	39	38	37	36	35	34	33	
																											32	31	30	29	28
MX123 CONN ASSY 73 CKT BLK OPT0 KEY A/31	345662013	C-HSG-A0	G-CAP-0-P	TPA-A0	RS	LS	MAL	CPA	MSEAL	RSEAL	72	-	-	69	68	67	66	-	64	63	62	61	-	-	-	-	56	55	-	-	
											52	-	-	-	-	47	-	-	44	-	42	-	-	-	38	-	-	-	34	-	
																											-	-	-	29	28
MX123 CONN ASSY 73 CKT BLK OPT0 KEY A/38	345662023	C-HSG-A0	G-CAP-0-P	TPA-A0	RS	LS	MAL	CPA	MSEAL	RSEAL	72	71	-	69	-	-	-	-	64	63	62	61	60	59	-	-	56	-	54	53	
											52	51	50	-	48	-	46	45	-	-	-	-	40	-	38	-	36	-	34	33	
																											-	31	-	29	28
MX123 CONN ASSY 73 CKT BLK OPT0 KEY A/27	345662033	C-HSG-A0	G-CAP-0-P	TPA-A0	RS	LS	MAL	CPA	MSEAL	RSEAL	72	-	-	69	68	67	66	-	64	63	62	61	-	-	-	-	56	-	-	-	
											52	-	-	-	-	47	-	-	44	-	42	-	-	-	38	-	-	-	34	-	
																											-	-	-	29	28
MX123 CONN ASSY 73 CKT BLK OPT0 KEY A/39	345662043	C-HSG-A0	G-CAP-0-P	TPA-A0	RS	LS	MAL	CPA	MSEAL	RSEAL	72	71	-	69	68	-	-	-	64	63	62	61	60	59	-	-	56	-	54	53	
											52	51	50	-	48	-	46	45	-	-	-	-	40	-	38	-	36	-	34	33	
																											-	31	-	29	28
MX123 CONN ASSY 73 CKT GRY OPT0 KEY B/41	345662053	C-HSG-B0	G-CAP-0-P	TPA-B0	RS	LS	MAL	CPA	MSEAL	RSEAL	72	71	-	69	-	-	-	-	64	63	62	61	60	59	-	-	56	-	54	53	
											52	51	50	-	48	-	46	45	-	-	-	-	40	-	38	-	36	35	34	33	
																											-	31	-	29	28
MX123 CONN ASSY 73 CKT BLK OPT0 KEY A/37	345662093	C-HSG-A0	G-CAP-0-P	TPA-A0	RS	LS	MAL	CPA	MSEAL	RSEAL	72	71	70	69	-	67	66	-	64	-	62	-	60	-	-	57	-	55	54	53	
											-	51	-	49	48	-	46	45	44	43	42	-	40	39	-	-	-	35	-	-	
																											-	-	-	-	-
MX123 CONN ASSY 73 CKT GRY OPT0 KEY B/27	345662133	C-HSG-B0	G-CAP-0-P	TPA-B0	RS	LS	MAL	CPA	MSEAL	RSEAL	72	-	-	69	68	67	66	-	64	63	62	61	-	-	-	-	56	-	-	-	
											52	-	-	-	-	47	-	-	44	-	42	-	-	-	38	-	-	-	34	-	
																											-	-	-	29	28
MX123 CONN ASSY 73 CKT GRY OPT0 KEY B/31	345662143	C-HSG-B0	G-CAP-0-P	TPA-B0	RS	LS	MAL	CPA	MSEAL	RSEAL	72	-	-	69	68	67	66	-	64	63	62	61	-	-	-	-	56	55	-	-	
											52	-	-	-	-	47	-	-	44	-	42	-	-	-	38	-	-	-	34	-	
																											-	-	-	29	28
MX123 CONN ASSY 73 CKT BLK OPT0 KEY A/41	345662153	C-HSG-A0	G-CAP-0-P	TPA-A0	RS	LS	MAL	CPA	MSEAL	RSEAL	72	71	-	69	-	-	-	-	64	63	62	61	60	59	-	-	56	-	54	53	
											52	51	50	-	48	-	46	45	-	-	-	-	40	-	38	-	36	35	34	33	
																											-	31	-	29	28

ASSEMBLY DESCRIPTION	ASSEMBLY PART NUMBER	CONNECTOR HOUSING	GROMMET CAP	TPA	RIGHT SLIDE	LEFT SLIDE	MATE ASSIST LEVER	CPA	MAT SEAL	RING SEAL	BLOCKED TERMINALS																			STATUS	COMMENTS	INTEGRAL COMPONENTS SOLD SEPARATELY	
											CAVITY WITH A NUMBER INDICATES BLOCKED TERMINAL POSITION																					DRESS COVER	
											CAVITY WITHOUT A NUMBER INDICATES OPEN TERMINAL POSITION																						
MX123 CONN ASSY 73 CKT BLK OPT0 KEY A/40	345662163	C-HSG-A0	G-CAP-0-P	TPA-A0	RS	LS	MAL	CPA	MSEAL	RSEAL	72	71	-	69	68	-	-	65	64	63	62	-	60	59	-	57	56	-	-	53	SALEABLE		345650003
											52	51	50	-	48	-	46	-	-	-	-	40	-	38	-	36	35	-	33				
											-																						
MX123 CONN ASSY 73 CKT BLK OPT0 KEY A/36	345662173	C-HSG-A0	G-CAP-0-P	TPA-A0	RS	LS	MAL	CPA	MSEAL	RSEAL	72	71	-	69	68	-	-	-	64	63	62	-	60	59	-	57	56	-	-	53	SALEABLE		345650003
											52	51	50	-	48	-	46	-	-	-	-	40	-	38	-	36	35	-	33				
											-																						
MX123 CONN ASSY 73 CKT BLK OPT0 KEY A/44	345662183	C-HSG-A0	G-CAP-0-P	TPA-A0	RS	LS	MAL	CPA	MSEAL	RSEAL	72	71	-	69	68	-	-	65	64	63	62	61	60	59	-	-	56	-	54	53	SALEABLE		345650003
											52	51	50	-	48	-	46	45	-	-	-	40	-	38	-	36	35	34	33				
											-																						
MX123 CONN ASSY 73 CKT BLK OPT0 KEY A/40	345662193	C-HSG-A0	G-CAP-0-P	TPA-A0	RS	LS	MAL	CPA	MSEAL	RSEAL	72	71	-	69	68	-	-	-	64	63	62	61	60	59	-	-	56	-	54	53	SALEABLE		345650003
											52	51	50	-	48	-	46	45	-	-	-	40	-	38	-	36	35	34	33				
											-																						
MX123 CONN ASSY 73 CKT BLK OPT0 KEY A/24	345662223	C-HSG-A0	G-CAP-0-P	TPA-A0	RS	LS	MAL	CPA	MSEAL	RSEAL	-	-	-	-	-	-	-	65	-	-	-	61	-	-	58	57	56	-	-	-	SALEABLE		345650003
											-	51	50	-	-	47	-	45	-	-	-	41	-	-	38	37	36	-	-	-			
											-																						
MX123 CONN ASSY 73 CKT BLK OPT0 KEY A/48	345662233	C-HSG-A0	G-CAP-0-P	TPA-A0	RS	LS	MAL	CPA	MSEAL	RSEAL	72	71	70	-	68	67	66	65	64	-	62	61	60	59	-	57	-	55	-	53	SALEABLE		345650003
											-	-	50	-	48	47	46	45	-	-	-	40	39	38	37	-	-	-	-				
											-																						
MX123 CONN ASSY 73 CKT BLK OPT0 KEY A/24	345662253	C-HSG-A0	G-CAP-0-P	TPA-A0	RS	LS	MAL	CPA	MSEAL	RSEAL	-	-	-	-	-	67	-	-	-	-	62	-	60	-	-	57	-	55	-	-	SALEABLE		345650003
											-	51	-	-	48	-	46	45	44	43	-	-	40	39	-	-	-	35	-	-			
											-																						
MX123 CONN ASSY 73 CKT BLK OPT0 KEY A/44	345662263	C-HSG-A0	G-CAP-0-P	TPA-A0	RS	LS	MAL	CPA	MSEAL	RSEAL	72	71	70	-	68	67	66	65	64	-	62	61	60	59	-	57	-	-	-	-	SALEABLE		345650003
											-	-	-	-	48	47	46	45	-	-	-	40	39	38	37	-	-	-	-				
											-																						
MX123 CONN ASSY 73 CKT BLK OPT0 KEY A/36	345662273	C-HSG-A0	G-CAP-0-P	TPA-A0	RS	LS	MAL	CPA	MSEAL	RSEAL	72	71	70	-	68	67	66	65	64	-	-	-	60	59	-	-	-	-	-	SALEABLE		345650003	
											-	-	-	-	48	47	46	45	-	-	-	40	39	38	-	-	-	-	-				
											-																						
MX123 CONN ASSY 73 CKT GRY OPT0 KEY B/52	345662283	C-HSG-B0	G-CAP-0-P	TPA-B0	RS	LS	MAL	CPA	MSEAL	RSEAL	72	71	70	69	-	-	-	-	-	-	62	61	60	59	58	57	56	-	54	53	SALEABLE		345650003
											52	51	50	-	-	47	-	-	-	-	42	41	40	39	38	37	36	35	34	33			
											-																						
MX123 CONN ASSY 73 CKT BLU OPT0 KEY C/44	345662293	C-HSG-C0	G-CAP-0-P	TPA-C0	RS	LS	MAL	CPA	MSEAL	RSEAL	-	71	-	69	-	67	-	65	64	-	62	61	60	-	58	-	56	55	54	-	SALEABLE		345650003
											-	-	50	49	-	-	-	45	-	43	-	41	-	-	38	37	36	35	-	-			
											-																						
MX123 CONN ASSY 73 CKT BLU OPT0 KEY C/47	345662313	C-HSG-C0	G-CAP-0-P	TPA-C0	RS	LS	MAL	CPA	MSEAL	RSEAL	-	71	-	69	68	67	-	65	64	-	62	61	60	-	58	-	56	55	54	-	SALEABLE		345650003
											-	-	50	49	48	47	-	45	-	43	-	41	-	-	38	37	36	35	-	-			
											-																						

ASSEMBLY DESCRIPTION	ASSEMBLY PART NUMBER	CONNECTOR HOUSING	GROMMET CAP	TPA	RIGHT SLIDE	LEFT SLIDE	MATE ASSIST LEVER	CPA	MAT SEAL	RING SEAL	BLOCKED TERMINALS																		STATUS	COMMENTS	INTEGRAL COMPONENTS SOLD SEPARATELY
											CAVITY WITH A NUMBER INDICATES BLOCKED TERMINAL POSITION																				DRESS COVER
											CAVITY WITHOUT A NUMBER INDICATES OPEN TERMINAL POSITION																				
MX123 CONN ASSY 73 CKT BLU OPT0 KEY C/41	345662323	C-HSG-C0	G-CAP-0-P	TPA-C0	RS	LS	MAL	CPA	MSEAL	RSEAL	-	71	-	69	-	67	-	65	64	-	62	61	60	-	58	-	56	55	54	-	
											-	-	50	49	-	-	-	45	-	43	-	41	-	-	38	37	36	35	-	-	
															32	31	-	29	28	27	-	-	24	23	-	-	-	19	18	17	
															16	-	-	13	12	11	-	-	8	7	-	-	-	3	2	1	
MX123 CONN ASSY 73 CKT BLK OPT0 KEY A/33	345662333	C-HSG-A0	G-CAP-0-P	TPA-A0	RS	LS	MAL	CPA	MSEAL	RSEAL	72	-	70	-	-	67	66	-	-	-	62	-	60	-	58	-	-	55	54	53	
											-	51	-	-	48	-	46	45	44	43	42	-	40	-	-	-	35	-	-		
															-	-	-	-	-	-	26	25	-	-	-	21	-	-	-	17	
															-	15	14	-	-	-	-	-	8	7	6	5	4	3	2	-	
MX123 CONN ASSY 73 CKT BLK OPT0 KEY A/36	345662343	C-HSG-A0	G-CAP-0-P	TPA-A0	RS	LS	MAL	CPA	MSEAL	RSEAL	-	71	-	69	-	-	-	-	64	63	62	61	60	59	-	-	56	-	54	53	
											52	51	50	-	48	-	46	45	-	-	-	-	40	-	38	-	36	-	34	33	
															-	31	-	29	28	-	26	-	-	23	22	-	-	-	-	-	
															16	-	-	-	12	11	10	-	-	7	-	-	4	-	2	-	
MX123 CONN ASSY 73 CKT BLK OPT0 KEY A/37	345662353	C-HSG-A0	G-CAP-0-P	TPA-A0	RS	LS	MAL	CPA	MSEAL	RSEAL	-	71	-	69	68	-	-	-	64	63	62	61	60	59	-	-	56	-	54	53	
											52	51	50	-	48	-	46	45	-	-	-	-	40	-	38	-	36	-	34	33	
															-	31	-	29	28	-	26	-	-	23	22	-	-	-	-	-	
															16	-	-	-	12	11	10	-	-	7	-	-	4	-	2	-	
MX123 CONN ASSY 73 CKT BLU OPT0 KEY C/39	345662363	C-HSG-C0	G-CAP-0-P	TPA-C0	RS	LS	MAL	CPA	MSEAL	RSEAL	-	71	-	69	68	-	-	65	64	-	-	61	60	-	58	-	56	55	54	-	
											-	-	50	49	48	47	-	45	-	43	-	41	-	-	37	36	35	-	-		
															-	31	-	29	28	-	-	-	24	23	-	-	-	19	18	17	
															16	-	-	13	12	11	-	-	8	7	-	-	-	3	2	1	
MX123 CONN ASSY 73 CKT GRY OPT0 KEY B/21	345662373	C-HSG-B0	G-CAP-0-P	TPA-B0	RS	LS	MAL	CPA	MSEAL	RSEAL	72	71	70	69	-	-	-	-	63	62	-	-	-	-	-	56	-	-	-		
											52	-	-	-	-	-	-	-	44	-	-	-	-	-	-	-	36	-	-	-	
															-	-	-	29	28	27	-	25	-	-	-	-	-	19	18	17	
															-	-	-	-	12	11	-	-	-	-	-	-	-	-	-	1	
MX123 CONN ASSY 73 CKT GRY OPT0 KEY B/50	345662383	C-HSG-B0	G-CAP-0-P	TPA-B0	RS	LS	MAL	CPA	MSEAL	RSEAL	72	71	70	69	68	67	66	-	64	63	62	61	60	-	58	-	56	-	54	-	
											52	51	-	-	-	47	-	45	44	43	42	41	40	-	38	-	36	-	34	-	
															32	31	30	-	28	27	26	25	-	-	22	-	20	19	18	17	
															16	-	14	13	12	11	10	9	8	-	-	-	-	-	2	1	
MX123 CONN ASSY 73 CKT GRY OPT0 KEY B/50	345662393	C-HSG-B0	G-CAP-0-P	TPA-B0	RS	LS	MAL	CPA	MSEAL	RSEAL	72	71	70	69	68	67	66	65	64	63	62	61	60	-	58	-	56	-	54	-	
											52	51	-	-	-	47	-	45	44	43	42	41	40	-	38	-	36	-	34	-	
															32	31	30	-	28	27	26	25	24	-	22	-	20	19	18	-	
															16	-	14	13	-	11	10	9	8	-	-	-	-	-	2	1	
MX123 CONN ASSY 73 CKT BLK OPT0 KEY A/38	345662413	C-HSG-A0	G-CAP-0-P	TPA-A0	RS	LS	MAL	CPA	MSEAL	RSEAL	72	71	-	69	68	-	-	-	64	63	62	61	60	59	-	-	56	-	54	53	
											52	51	50	-	48	-	46	45	-	-	-	-	40	-	38	-	36	-	34	33	
															-	31	-	29	28	-	26	-	-	23	22	-	-	-	-	-	
															16	-	-	-	12	11	10	-	-	7	-	-	4	-	2	-	
MX123 CONN ASSY 73 CKT BLK OPT0 KEY A/44	345662423	C-HSG-A0	G-CAP-0-P	TPA-A0	RS	LS	MAL	CPA	MSEAL	RSEAL	72	71	70	69	68	67	66	65	64	-	62	61	60	59	-	-	-	-	-		
											-	-	50	-	48	47	46	45	-	-	-	-	40	39	38	37	-	-	-	-	
															-	31	30	29	-	27	-	25	24	23	22	21	20	-	-	17	
															-	15	14	13	-	11	-	9	8	-	-	5	4	-	2	1	
MX123 CONN ASSY 73 CKT BLK OPT0 KEY A/44	345662433	C-HSG-A0	G-CAP-0-P	TPA-A0	RS	LS	MAL	CPA	MSEAL	RSEAL	72	71	70	-	68	67	66	65	64	-	62	61	60	59	58	57	-	-	-	-	
											-	-	50	-	48	47	46	45	-	-	-	-	40	39	38	37	-	-	-	-	
															-	31	30	29	-	27	-	25	24	-	22	21	20	-	-	17	
															-	15	14	13	-	11	-	9	8	-	-	5	4	-	2	1	
MX123 CONN ASSY 73 CKT BLU OPT0 KEY C/40	345662443	C-HSG-C0	G-CAP-0-P	TPA-C0	RS	LS	MAL	CPA	MSEAL	RSEAL	-	71	-	69	-	67	-	65	64	-	62	61	60	-	58	-	56	55	54	-	
											-	-	50	49	-	-	-	45	-	43	42	41	-	-	38	37	36	35	-	-	
															-	31	-	29	28	27	-	-	24	23	-	-	-	19	18	17	
															16	-	-	-	12	11	-	-	8	7	-	-	-	3	2	1	

ASSEMBLY DESCRIPTION	ASSEMBLY PART NUMBER	CONNECTOR HOUSING	GROMMET CAP	TPA	RIGHT SLIDE	LEFT SLIDE	MATE ASSIST LEVER	CPA	MAT SEAL	RING SEAL	BLOCKED TERMINALS																		STATUS	COMMENTS	INTEGRAL COMPONENTS SOLD SEPARATELY
											CAVITY WITH A NUMBER INDICATES BLOCKED TERMINAL POSITION																				DRESS COVER
											CAVITY WITHOUT A NUMBER INDICATES OPEN TERMINAL POSITION																				
MX123 CONN ASSY 73 CKT BLU OPT9 KEY C/42	345662573	C-HSG-C9	G-CAP-9-P	TPA-C9	RS	LS	MAL	CPA	MSEAL	RSEAL	-	71	-	69	68	-	-	65	64	-	-	61	60	-	58	-	56	55	54	-	
											-	-	50	49	48	47	-	45	-	43	-	41	-	-	38	37	36	35	-	-	
															32	31	-	29	28	27	-	-	24	23	-	-	-	19	18	17	
															16	-	-	13	12	11	-	-	8	7	-	-	-	3	2	1	
MX123 CONN ASSY 73 CKT BLK OPT0 KEY A/43	345662583	C-HSG-A0	G-CAP-0-P	TPA-A0	RS	LS	MAL	CPA	MSEAL	RSEAL	72	71	70	-	68	67	66	65	64	-	62	61	60	59	-	57	-	-	-	-	
											-	-	-	-	48	47	46	45	-	-	-	-	40	-	38	37	-	-	-	-	
															-	31	30	29	-	27	-	25	24	23	22	21	20	-	-	17	
															-	15	-	13	-	11	-	9	8	7	6	5	4	-	2	1	
MX123 CONN ASSY 73 CKT BLU OPT0 KEY C/44	345662593	C-HSG-C0	G-CAP-0-P	TPA-C0	RS	LS	MAL	CPA	MSEAL	RSEAL	-	71	-	69	68	67	-	65	64	-	-	61	60	-	58	-	56	55	54	-	
											-	-	50	49	48	47	-	45	-	43	-	41	-	-	38	37	36	35	-	-	
															-	31	-	29	28	-	-	-	24	23	-	-	20	19	18	17	
															16	-	-	13	12	11	-	-	8	7	-	5	4	3	2	1	
MX123 CONN ASSY 73 CKT GRY OPT0 KEY B/53	345662603	C-HSG-B0	G-CAP-0-P	TPA-B0	RS	LS	MAL	CPA	MSEAL	RSEAL	72	71	70	69	68	-	-	-	64	63	62	61	60	-	58	-	56	-	54	-	
											52	51	50	-	-	-	46	45	-	43	42	41	40	-	38	-	36	-	34	-	
															32	31	30	-	-	27	26	25	24	-	22	-	20	19	18	17	
															16	15	14	13	12	11	10	9	8	-	6	5	4	3	2	1	
MX123 CONN ASSY 73 CKT BLU OPT9 KEY C/41	345662613	C-HSG-C9	G-CAP-9-P	TPA-C9	RS	LS	MAL	CPA	MSEAL	RSEAL	-	71	-	69	68	-	-	65	64	-	-	61	60	-	58	-	56	55	54	-	
											-	-	50	49	48	47	-	45	-	43	-	41	-	-	38	37	36	35	-	-	
															32	31	-	29	28	-	-	-	24	23	-	-	-	19	18	17	
															16	-	-	13	12	11	-	-	8	7	-	-	-	3	2	1	
MX123 CONN ASSY 73 CKT BLK OPT0 KEY A/34	345662623	C-HSG-A0	G-CAP-0-P	TPA-A0	RS	LS	MAL	CPA	MSEAL	RSEAL	72	-	70	-	-	-	66	-	-	-	62	-	60	-	58	-	-	55	54	53	
											52	51	-	-	48	-	46	45	44	43	42	-	40	39	-	-	-	35	-	-	
															-	-	-	-	-	-	26	25	-	-	22	21	-	-	-	17	
															-	15	14	-	-	-	-	-	8	-	6	5	-	3	2	1	
MX123 CONN ASSY 73 CKT BLK OPT0 KEY A/38	345662633	C-HSG-A0	G-CAP-0-P	TPA-A0	RS	LS	MAL	CPA	MSEAL	RSEAL	72	-	70	-	-	-	66	-	-	63	62	-	60	-	58	-	-	55	54	53	
											52	51	-	-	48	-	46	45	44	43	42	-	40	39	-	-	-	35	34	-	
															-	-	-	-	-	-	26	25	-	-	22	21	-	-	-	17	
															-	15	14	13	12	-	-	-	8	-	6	5	-	3	2	1	
MX123 CONN ASSY 73 CKT BLK OPT0 KEY A/32	345662643	C-HSG-A0	G-CAP-0-P	TPA-A0	RS	LS	MAL	CPA	MSEAL	RSEAL	72	-	70	-	-	-	66	-	-	-	62	-	60	-	58	-	-	55	54	53	
											52	51	-	-	48	-	46	45	44	43	42	-	40	-	-	-	-	35	-	-	
															-	-	-	-	-	-	26	25	-	-	-	21	-	-	-	17	
															-	15	14	-	-	-	-	-	8	-	6	5	-	3	2	1	
MX123 CONN ASSY 73 CKT BLK OPT0 KEY A/36	345662653	C-HSG-A0	G-CAP-0-P	TPA-A0	RS	LS	MAL	CPA	MSEAL	RSEAL	72	-	70	-	-	-	66	-	-	63	62	-	60	-	58	-	-	55	54	53	
											52	51	-	-	48	-	46	45	44	43	42	-	40	-	-	-	-	35	34	-	
															-	-	-	-	-	-	26	25	-	-	-	21	-	-	-	17	
															-	15	14	13	12	-	-	-	8	-	6	5	-	3	2	1	
MX123 CONN ASSY 73 CKT GRY OPT0 KEY B/27	345662693	C-HSG-B0	G-CAP-0-P	TPA-B0	RS	LS	MAL	CPA	MSEAL	RSEAL	72	-	-	69	-	67	-	-	64	63	62	61	-	-	-	-	56	55	-	-	
											52	-	-	-	-	47	-	-	44	-	-	-	-	-	-	-	-	-	34	-	
															-	-	-	29	28	27	26	25	-	-	-	21	-	19	18	17	
															-	-	14	-	-	-	-	-	-	-	-	-	-	3	2	1	
MX123 CONN ASSY 73 CKT GRY OPT0 KEY B/55	345662703	C-HSG-B0	G-CAP-0-P	TPA-B0	RS	LS	MAL	CPA	MSEAL	RSEAL	72	71	70	69	68	67	66	-	64	63	62	61	60	-	58	-	56	-	54	-	
											52	51	50	-	-	-	46	45	-	43	42	41	40	-	38	-	36	-	34	-	
															32	31	30	-	-	27	26	25	24	-	22	-	20	19	18	17	
															16	15	14	13	12	11	10	9	8	-	6	5	4	3	2	1	
MX123 CONN ASSY 73 CKT BLK OPT0 KEY A/33	345662713	C-HSG-A0	G-CAP-0-P	TPA-A0	RS	LS	MAL	CPA	MSEAL	RSEAL	72	71	70	-	-	67	66	-	-	-	62	-	-	-	-	57	-	55	54	53	
											-	51	-	-	48	-	46	45	44	43	42	-	40	39	-	-	-	35	-	-	
															-	-	-	-	-	-	26	-	-	-	22	21	-	-	-	-	
															-	15	14	-	-	-	-	-	8	7	6	5	4	3	2	-	

ASSEMBLY DESCRIPTION	ASSEMBLY PART NUMBER	CONNECTOR HOUSING	GROMMET CAP	TPA	RIGHT SLIDE	LEFT SLIDE	MATE ASSIST LEVER	CPA	MAT SEAL	RING SEAL	BLOCKED TERMINALS																				STATUS	COMMENTS	INTEGRAL COMPONENTS SOLD SEPARATELY				
											CAVITY WITH A NUMBER INDICATES BLOCKED TERMINAL POSITION																						DRESS COVER				
											CAVITY WITHOUT A NUMBER INDICATES OPEN TERMINAL POSITION																										
MX123 CONN ASSY 73 CKT GRY OPT0 KEY B/37	345662873	C-HSG-B0	G-CAP-0-P	TPA-B0	RS	LS	MAL	CPA	MSEAL	RSEAL	-	-	-	-	-	-	-	-	65	64	63	62	61	60	-	-	-	-	-	-	54	-					
											-	-	-	-	-	-	-	-	46	45	44	43	42	41	40	-	-	-	-	-	-	-	-	-	-	34	-
																					32	31	30	29	28	27	26	25	24	-	-	-	20	19	18	17	
																					16	-	14	13	12	-	-	9	-	7	-	-	-	-	-	2	1
MX123 CONN ASSY 73 CKT BLK OPT0 KEY A/39	345662883	C-HSG-A0	G-CAP-0-P	TPA-A0	RS	LS	MAL	CPA	MSEAL	RSEAL	72	71	-	-	68	67	66	65	64	-	-	-	60	59	-	-	-	-	-	-	-						
											-	-	50	-	48	47	46	45	-	-	-	-	40	39	38	-	-	35	-	33							
																					-	31	30	-	-	-	-	25	24	23	22	21	20	-	-	17	
																					-	15	14	-	-	-	-	9	8	7	6	5	4	-	-	2	1
MX123 CONN ASSY 73 CKT BLK OPT0 KEY A/35	345662893	C-HSG-A0	G-CAP-0-P	TPA-A0	RS	LS	MAL	CPA	MSEAL	RSEAL	-	71	70	-	68	-	66	-	64	-	62	61	-	59	58	-	-	55	54	-							
											52	51	50	-	48	-	-	45	-	-	42	41	-	39	38	-	-	-	34	-							
																					32	-	-	-	-	27	26	25	-	23	22	-	-	19	18	-	
																					-	-	-	-	12	-	-	9	8	7	6	-	-	-	-	-	
MX123 CONN ASSY 73 CKT BLK OPT0 KEY A/24	345662903	C-HSG-A0	G-CAP-0-P	TPA-A0	RS	LS	MAL	CPA	MSEAL	RSEAL	-	-	-	-	-	-	-	65	-	-	-	-	60	-	58	57	56	-	-	-							
											-	-	50	-	-	47	46	45	-	-	-	-	40	-	38	37	36	-	-	-							
																					-	-	30	-	28	-	26	-	24	-	22	21	20	-	-	-	
																					-	15	14	-	-	-	10	-	-	-	-	-	-	-	-	-	
MX123 CONN ASSY 73 CKT GRY OPT0 KEY B/55	345662913	C-HSG-B0	G-CAP-0-P	TPA-B0	RS	LS	MAL	CPA	MSEAL	RSEAL	72	71	70	69	-	-	66	65	-	63	62	61	60	59	-	57	56	55	54	53							
											52	51	50	49	48	47	-	-	44	43	42	41	40	39	-	37	36	35	34	33							
																					-	31	-	-	-	26	25	24	23	-	21	20	19	18	-		
																					16	-	14	-	12	11	-	9	8	7	6	5	4	3	2	-	
MX123 CONN ASSY 73 CKT GRY OPT0 KEY B/59	345662923	C-HSG-B0	G-CAP-0-P	TPA-B0	RS	LS	MAL	CPA	MSEAL	RSEAL	72	71	70	69	-	-	66	65	-	63	62	61	60	59	58	57	56	55	54	53							
											52	51	50	49	48	47	-	-	44	43	42	41	40	39	38	37	36	35	34	33							
																					-	31	-	-	-	26	25	24	23	22	21	20	19	18	-		
																					16	-	14	-	12	11	-	9	8	7	6	5	4	3	2	1	
MX123 CONN ASSY 73 CKT BLK OPT0 KEY A/37	345662933	C-HSG-A0	G-CAP-0-P	TPA-A0	RS	LS	MAL	CPA	MSEAL	RSEAL	-	71	70	-	68	-	66	-	64	-	62	61	-	59	58	-	-	55	54	-							
											52	51	50	-	48	-	46	45	-	-	42	41	-	39	38	-	-	-	34	-							
																					32	-	-	-	-	27	26	25	-	23	22	-	-	19	18	-	
																					-	-	-	13	12	-	-	9	8	7	6	-	-	-	-	-	
MX123 CONN ASSY 73 CKT GRY OPT0 KEY B/23	345662943	C-HSG-B0	G-CAP-0-P	TPA-B0	RS	LS	MAL	CPA	MSEAL	RSEAL	72	71	70	69	-	-	66	65	-	-	62	61	60	-	58	-	56	55	54	53							
											52	51	50	49	48	47	-	-	44	-	42	41	40	-	38	-	36	35	34	33							
																					-	31	-	-	-	26	25	24	23	22	-	20	19	18	17		
																					16	15	14	13	12	11	-	9	8	7	-	-	-	-	2	1	
MX123 CONN ASSY 73 CKT GRY OPT0 KEY B/21	345662953	C-HSG-B0	G-CAP-0-P	TPA-B0	RS	LS	MAL	CPA	MSEAL	RSEAL	72	71	70	69	-	-	66	65	-	-	62	61	60	-	58	57	56	55	54	53							
											52	51	50	49	48	47	-	-	44	-	42	41	40	-	38	37	36	35	-	33							
																					-	31	-	-	-	26	25	24	23	22	21	20	19	18	17		
																					16	15	14	13	12	11	-	9	8	7	-	-	-	-	2	1	
MX123 CONN ASSY 73 CKT BLK OPT9 KEY A/38	345662983	C-HSG-A9	G-CAP-9-P	TPA-A9	RS	LS	MAL	CPA	MSEAL	RSEAL	72	71	-	-	68	67	66	65	64	-	-	-	60	59	-	-	-	-	-	-							
											-	-	50	-	48	47	46	45	-	-	-	-	40	39	38	-	-	35	-	33							
																					-	31	30	-	-	-	-	25	24	23	22	21	20	-	-	-	
																					-	-	14	-	-	-	-	9	8	7	6	5	4	-	-	-	
MX123 CONN ASSY 73 CKT GRY OPT9 KEY B/49	345662993	C-HSG-B9	G-CAP-9-P	TPA-B9	RS	LS	MAL	CPA	MSEAL	RSEAL	-	-	-	69	-	-	-	65	64	63	-	-	-	-	-	-	-	-	-								
											-	-	-	49	-	-	-	45	44	43	-	-	-	-	-	-	-	-	-	-							
																					-	-	-	-	-	-	-	-	23	22	21	20	19	18	17		
																					-	-	-	-	12	11	-	-	-	7	6	5	4	3	2	1	
MX123 CONN ASSY 73 CKT BLK OPT0 KEY A/6	345663003	C-HSG-A0	G-CAP-0-P	TPA-A0	RS	LS	MAL	CPA	MSEAL	RSEAL	-	-	-	-	-	-	-	65	-	-	-	61	-	-	-	-	-	-	-								
											-	-	-	-	-	-	-	-	45	-	-	-	-	-	-	-	-	-	-	-							
																					-	-	-	-	-	-	26	-	-	-	-	-	-	-	-		
																					-	-	-	-	-	-	10	-	-	-	-	-	-	-	-		

ASSEMBLY DESCRIPTION	ASSEMBLY PART NUMBER	CONNECTOR HOUSING	GROMMET CAP	TPA	RIGHT SLIDE	LEFT SLIDE	MATE ASSIST LEVER	CPA	MAT SEAL	RING SEAL	BLOCKED TERMINALS																		STATUS	COMMENTS	INTEGRAL COMPONENTS SOLD SEPARATELY			
											CAVITY WITH A NUMBER INDICATES BLOCKED TERMINAL POSITION																				DRESS COVER			
											CAVITY WITHOUT A NUMBER INDICATES OPEN TERMINAL POSITION																							
MX123 CONN ASSY 73 CKT BLU OPT9 KEY C/41	345663013	C-HSG-C9	G-CAP-9-P	TPA-C9	RS	LS	MAL	CPA	MSEAL	RSEAL	-	-	-	-	-	-	-	-	65	64	-	-	61	60	-	58	-	-	-	54	-	SALEABLE		345650003
											-	-	50	49	48	47	-	45	-	43	-	41	-	-	-	37	36	35	-	-				
											-																		16	-	-			
MX123 CONN ASSY 73 CKT BLU OPT0 KEY C/37	345663043	C-HSG-C0	G-CAP-0-P	TPA-C0	RS	LS	MAL	CPA	MSEAL	RSEAL	-	71	-	69	-	67	-	65	64	-	-	61	60	-	58	-	56	55	54	-	SALEABLE		345650003	
											-	-	50	49	-	-	-	45	-	43	-	41	-	-	38	37	36	35	-	-				
											-																		16	-				-
MX123 CONN ASSY 73 CKT BLU OPT0 KEY C/38	345663053	C-HSG-C0	G-CAP-0-P	TPA-C0	RS	LS	MAL	CPA	MSEAL	RSEAL	-	71	-	69	-	67	-	65	64	-	-	61	60	-	58	-	56	55	54	-	SALEABLE		345650003	
											-	-	50	49	-	-	-	45	-	43	-	41	-	-	37	36	35	-	-					
											-																		16	-				-
MX123 CONN ASSY 73 CKT BLK OPT0 KEY A/36	345663063	C-HSG-A0	G-CAP-0-P	TPA-A0	RS	LS	MAL	CPA	MSEAL	RSEAL	72	-	70	-	68	67	66	-	-	-	62	61	-	59	-	-	-	-	-	SALEABLE		345650003		
											-	-	50	-	48	47	46	-	-	-	-	-	40	39	38	-	-	-	-				-	
											-																		15				14	13
MX123 CONN ASSY 73 CKT BLK OPT0 KEY A/39	345663073	C-HSG-A0	G-CAP-0-P	TPA-A0	RS	LS	MAL	CPA	MSEAL	RSEAL	72	-	70	-	68	67	66	-	-	-	62	61	-	59	58	-	-	-	-	-	SALEABLE		345650003	
											-	-	50	-	48	47	46	-	-	-	-	-	40	39	38	-	-	-	-	-				
											-																		15	14				13
MX123 CONN ASSY 73 CKT BLK OPT0 KEY A/36	345663083	C-HSG-A0	G-CAP-0-P	TPA-A0	RS	LS	MAL	CPA	MSEAL	RSEAL	72	-	70	-	68	67	66	-	-	-	62	61	-	59	-	-	-	-	-	SALEABLE		345650003		
											-	-	50	-	48	47	46	-	-	-	-	-	40	39	38	-	-	-	-				-	
											-																		15				14	13
MX123 CONN ASSY 73 CKT BLK OPT0 KEY A/36	345663093	C-HSG-A0	G-CAP-0-P	TPA-A0	RS	LS	MAL	CPA	MSEAL	RSEAL	72	-	70	-	68	67	66	65	-	-	-	61	-	59	58	-	-	-	-	-	SALEABLE		345650003	
											-	-	50	-	48	47	46	-	-	-	-	-	40	39	38	-	-	-	-	-				
											-																		15	14				13
MX123 CONN ASSY 73 CKT GRY OPT0 KEY B/48	345663103	C-HSG-B0	G-CAP-0-P	TPA-B0	RS	LS	MAL	CPA	MSEAL	RSEAL	72	71	70	69	68	67	66	-	64	63	-	61	60	-	58	-	56	-	54	-	SALEABLE		345650003	
											52	51	50	-	-	47	-	45	44	43	-	41	40	-	38	-	36	-	34	-				
											-																		16	-				14
MX123 CONN ASSY 73 CKT BLK OPT0 KEY A/39	345663113	C-HSG-A0	G-CAP-0-P	TPA-A0	RS	LS	MAL	CPA	MSEAL	RSEAL	72	-	70	-	68	67	66	-	-	-	62	61	-	59	58	-	-	-	-	-	SALEABLE		345650003	
											-	-	50	-	48	47	46	-	-	-	-	-	40	39	38	-	-	-	-	-				
											-																		15	14				13
MX123 CONN ASSY 73 CKT GRY OPT0 KEY B/32	345663123	C-HSG-B0	G-CAP-0-P	TPA-B0	RS	LS	MAL	CPA	MSEAL	RSEAL	-	71	-	69	-	67	-	65	64	63	62	61	-	-	58	57	56	-	-	-	SALEABLE		345650003	
											-	51	-	49	-	47	-	45	44	43	42	41	-	-	38	37	36	-	-	-				
											-																		15	14				13
MX123 CONN ASSY 73 CKT BLU OPT0 KEY C/36	345663133	C-HSG-C0	G-CAP-0-P	TPA-C0	RS	LS	MAL	CPA	MSEAL	RSEAL	-	71	-	69	-	67	-	65	64	-	-	61	60	-	58	-	56	55	54	-	SALEABLE		345650003	
											-	-	50	49	-	-	-	45	-	43	-	41	-	-	38	37	36	35	-	-				
											-																		16	-				-
MX123 CONN ASSY 73 CKT BLU OPT0 KEY C/31	345663143	C-HSG-C0	G-CAP-0-P	TPA-C0	RS	LS	MAL	CPA	MSEAL	RSEAL	-	71	-	69	68	67	-	65	64	-	-	61	60	-	58	-	56	55	54	-	SALEABLE		345650003	
											-	-	50	49	48	47	-	45	-	43	-	41	-	-	38	-	-	35	-	-				
											-																		16	-				-

ASSEMBLY DESCRIPTION	ASSEMBLY PART NUMBER	CONNECTOR HOUSING	GROMMET CAP	TPA	RIGHT SLIDE	LEFT SLIDE	MATE ASSIST LEVER	CPA	MAT SEAL	RING SEAL	BLOCKED TERMINALS																				STATUS	COMMENTS	INTEGRAL COMPONENTS SOLD SEPARATELY
											CAVITY WITH A NUMBER INDICATES BLOCKED TERMINAL POSITION																						DRESS COVER
											CAVITY WITHOUT A NUMBER INDICATES OPEN TERMINAL POSITION																						
MX123 CONN ASSY 73 CKT BLK OPT0 KEY A/26	345663153	C-HSG-A0	G-CAP-0-P	TPA-A0	RS	LS	MAL	CPA	MSEAL	RSEAL	72	71	-	-	68	67	66	65	64	-	62	61	60	59	-	57	-	55	-	53	SALEABLE		345650003
											-	-	50	-	48	-	46	45	-	-	-	-	40	39	38	37	-	35	-	33			
											-	-	-	-	31	30	29	-	27	-	25	24	23	22	21	20	-	-	-	17			
											-	-	-	-	15	14	13	-	11	-	9	8	7	6	5	4	-	2	1				
MX123 CONN ASSY 73 CKT BLU OPT0 KEY C/35	345663163	C-HSG-C0	G-CAP-0-P	TPA-C0	RS	LS	MAL	CPA	MSEAL	RSEAL	-	71	-	69	68	67	66	65	64	-	-	61	60	-	58	-	-	-	54	-	SALEABLE		345650003
											-	-	50	49	48	47	-	45	-	43	-	41	-	-	38	-	-	35	-	-			
											-	-	-	-	31	-	29	28	27	-	-	24	23	-	-	20	-	-	17				
											16	-	-	13	12	11	-	-	8	7	-	5	4	-	2	1							
MX123 CONN ASSY 73 CKT BLK OPT0 KEY A/29	345663173	C-HSG-A0	G-CAP-0-P	TPA-A0	RS	LS	MAL	CPA	MSEAL	RSEAL	72	71	-	-	68	67	66	65	64	-	62	61	60	59	-	57	-	55	-	53	SALEABLE		345650003
											-	-	50	-	48	-	46	45	-	-	-	-	40	39	38	37	-	35	-	33			
											-	-	-	-	31	30	29	-	27	-	25	24	23	22	21	20	-	-	-				
											-	-	-	-	15	14	13	-	11	-	9	8	7	6	5	4	-	-	-				
MX123 CONN ASSY 73 CKT BLU OPT0 KEY C/30	345663183	C-HSG-C0	G-CAP-0-P	TPA-C0	RS	LS	MAL	CPA	MSEAL	RSEAL	-	71	-	69	68	67	-	65	64	-	-	61	60	-	58	-	-	-	54	-	SALEABLE		345650003
											-	-	50	49	48	47	-	45	-	43	-	41	-	-	38	37	36	35	-	-			
											-	-	-	-	32	31	-	29	28	27	-	-	24	23	-	-	20	19	18	17			
											16	-	-	13	12	11	-	-	8	7	-	5	4	3	2	1							
MX123 CONN ASSY 73 CKT BLK OPT0 KEY A/31	345663193	C-HSG-A0	G-CAP-0-P	TPA-A0	RS	LS	MAL	CPA	MSEAL	RSEAL	72	71	70	-	68	67	66	65	64	-	62	61	60	59	-	57	-	-	-	-	SALEABLE		345650003
											-	-	50	-	48	47	46	45	-	-	-	-	40	39	38	37	-	-	-	-			
											-	-	-	-	31	30	29	-	27	-	25	24	23	22	21	20	-	-	-	-			
											-	-	-	-	15	14	13	-	11	-	9	8	7	6	5	4	-	-	-	-			
MX123 CONN ASSY 73 CKT GRY OPT0 KEY B/42	345663203	C-HSG-B0	G-CAP-0-P	TPA-B0	RS	LS	MAL	CPA	MSEAL	RSEAL	72	71	70	69	68	-	66	65	64	63	62	61	-	-	-	-	-	54	-	SALEABLE		345650003	
											52	51	-	-	-	47	-	45	44	43	42	41	40	-	-	-	36	-	-	-			
											-	-	-	-	32	31	30	-	28	27	26	25	24	-	-	-	20	19	-	17			
											-	-	-	-	-	-	-	13	12	11	10	9	8	-	-	-	-	-	2	1			
MX123 CONN ASSY 73 CKT BLU OPT0 KEY C/31	345663213	C-HSG-C0	G-CAP-0-P	TPA-C0	RS	LS	MAL	CPA	MSEAL	RSEAL	-	71	-	69	68	-	-	65	64	-	-	61	60	-	58	57	-	55	54	-	SALEABLE		345650003
											-	-	50	49	48	47	-	45	-	43	-	41	-	39	38	37	36	35	-	-			
											-	-	-	-	31	-	29	28	27	-	-	24	23	-	-	20	19	18	17				
											16	-	-	13	12	11	-	-	8	7	-	-	-	-	3	2	1						
MX123 CONN ASSY 73 CKT BLU OPT0 KEY C/33	345663223	C-HSG-C0	G-CAP-0-P	TPA-C0	RS	LS	MAL	CPA	MSEAL	RSEAL	-	71	-	69	68	-	-	65	64	-	-	61	60	-	58	-	56	55	54	-	SALEABLE		345650003
											-	-	50	49	48	47	-	45	-	43	-	41	-	-	38	37	36	35	-	-			
											-	-	-	-	31	-	29	28	-	-	-	24	23	-	-	20	19	18	17				
											16	-	-	13	12	11	-	-	8	7	-	-	-	-	3	2	1						
MX123 CONN ASSY 73 CKT BLK OPT0 KEY A/36	345663233	C-HSG-A0	G-CAP-0-P	TPA-A0	RS	LS	MAL	CPA	MSEAL	RSEAL	72	71	-	-	68	67	66	65	64	-	-	-	60	59	-	-	-	-	-	SALEABLE		345650003	
											-	-	50	-	48	47	46	45	-	-	-	-	40	39	38	-	-	35	-	33			
											-	-	-	-	31	30	-	-	-	-	25	24	23	22	21	20	-	-	17				
											-	-	-	-	-	-	14	-	-	-	9	8	7	6	5	4	-	2	1				
MX123 CONN ASSY 73 CKT BLU OPT0 KEY C/31	345663243	C-HSG-C0	G-CAP-0-P	TPA-C0	RS	LS	MAL	CPA	MSEAL	RSEAL	-	71	-	69	68	67	-	65	64	-	-	61	60	-	58	-	56	55	54	-	SALEABLE		345650003
											-	-	50	49	48	47	-	45	-	43	-	41	-	-	38	37	36	35	-	-			
											-	-	-	-	31	-	29	28	27	-	-	24	23	-	-	20	19	18	17				
											16	-	-	13	12	11	-	-	8	7	-	-	-	-	3	2	1						
MX123 CONN ASSY 73 CKT BLK OPT0 KEY A/28	345663253	C-HSG-A0	G-CAP-0-P	TPA-A0	RS	LS	MAL	CPA	MSEAL	RSEAL	72	71	-	-	68	67	66	65	64	-	62	61	60	59	-	57	-	-	-	-	SALEABLE		345650003
											-	-	50	-	48	47	46	45	-	-	-	-	40	39	38	37	-	35	-	33			
											-	-	-	-	31	30	29	-	27	-	25	24	23	22	21	20	-	-	17				
											-	-	-	-	-	-	14	13	-	11	-	9	8	7	6	5	4	-	2	1			
MX123 CONN ASSY 73 CKT BLU OPT0 KEY C/36	345663263	C-HSG-C0	G-CAP-0-P	TPA-C0	RS	LS	MAL	CPA	MSEAL	RSEAL	-	71	-	69	68	67	-	65	64	-	-	61	60	-	58	-	-	-	54	-	SALEABLE		345650003
											-	-	50	49	48	47	-	45	-	43	-	41	-	-	38	37	36	35	-	-			
											-	-	-	-	31	-	29	28	27	-	-	24	23	-	-	20	-	-	17				
											16	-	-	13	12	11	-	-	8	7	-	-	-	-	-	-	2	1					

ASSEMBLY DESCRIPTION	ASSEMBLY PART NUMBER	CONNECTOR HOUSING	GROMMET CAP	TPA	RIGHT SLIDE	LEFT SLIDE	MATE ASSIST LEVER	CPA	MAT SEAL	RING SEAL	BLOCKED TERMINALS																		STATUS	COMMENTS	INTEGRAL COMPONENTS SOLD SEPARATELY
											CAVITY WITH A NUMBER INDICATES BLOCKED TERMINAL POSITION																				DRESS COVER
											CAVITY WITHOUT A NUMBER INDICATES OPEN TERMINAL POSITION																				
MX123 CONN ASSY 73 CKT BLK OPT0 KEY A/31	345663273	C-HSG-A0	G-CAP-0-P	TPA-A0	RS	LS	MAL	CPA	MSEAL	RSEAL	72	71	-	-	68	67	66	65	64	-	62	61	60	59	-	57	-	-	-	-	
											-	-	50	-	48	47	46	45	-	-	-	-	40	39	38	37	-	35	-	33	
											-																				
MX123 CONN ASSY 73 CKT BLU OPT0 KEY C/31	345663283	C-HSG-C0	G-CAP-0-P	TPA-C0	RS	LS	MAL	CPA	MSEAL	RSEAL	-	71	-	69	68	-	-	65	64	-	-	61	60	-	58	-	56	55	54	-	
											-	-	50	49	48	47	-	45	-	43	-	41	-	-	38	37	36	35	-	-	
											-																				
MX123 CONN ASSY 73 CKT GRY OPT0 KEY B/49	345663293	C-HSG-B0	G-CAP-0-P	TPA-B0	RS	LS	MAL	CPA	MSEAL	RSEAL	-	-	-	69	-	-	-	65	64	63	-	-	-	-	-	-	-	-	-		
											-	-	-	49	-	-	46	45	44	43	-	-	-	-	-	-	-	-	-	-	
											-																				
MX123 CONN ASSY 73 CKT GRY OPT0 KEY B/44	345663303	C-HSG-B0	G-CAP-0-P	TPA-B0	RS	LS	MAL	CPA	MSEAL	RSEAL	72	71	70	69	68	67	66	65	64	63	62	61	60	-	-	-	-	-	54	-	
											52	51	-	-	-	47	-	45	44	43	42	41	40	-	-	-	-	36	-	-	-
											-																				
MX123 CONN ASSY 73 CKT BLU OPT0 KEY C/28	345663313	C-HSG-C0	G-CAP-0-P	TPA-C0	RS	LS	MAL	CPA	MSEAL	RSEAL	-	71	-	69	68	67	66	65	64	-	-	61	60	-	58	-	56	55	54	-	
											-	-	50	49	48	47	-	45	-	43	-	41	-	-	38	37	36	35	-	-	
											-																				
MX123 CONN ASSY 73 CKT GRY OPT0 KEY B/25	345663323	C-HSG-B0	G-CAP-0-P	TPA-B0	RS	LS	MAL	CPA	MSEAL	RSEAL	72	71	70	69	-	-	-	-	-	-	62	61	60	59	-	57	56	-	54	53	
											52	51	50	-	-	47	-	-	-	-	42	41	40	39	-	37	36	35	34	33	
											-																				
MX123 CONN ASSY 73 CKT BLK OPT0 KEY A/49	345663333	C-HSG-A0	G-CAP-0-P	TPA-A0	RS	LS	MAL	CPA	MSEAL	RSEAL	-	-	-	-	67	66	-	-	-	62	-	60	-	-	-	-	55	-	53		
											-	-	-	-	48	-	46	45	44	43	-	-	40	39	-	-	-	35	-	-	
											-																				
MX123 CONN ASSY 73 CKT BLK OPT0 KEY A/41	345663343	C-HSG-A0	G-CAP-0-P	TPA-A0	RS	LS	MAL	CPA	MSEAL	RSEAL	-	71	70	-	68	-	-	-	64	-	62	61	-	59	58	-	-	55	54	-	
											52	51	50	-	48	-	46	45	-	-	-	41	-	39	38	-	-	-	34	-	
											-																				
MX123 CONN ASSY 73 CKT GRY OPT0 KEY B/23	345663353	C-HSG-B0	G-CAP-0-P	TPA-B0	RS	LS	MAL	CPA	MSEAL	RSEAL	72	71	70	69	-	-	66	65	-	63	62	61	60	-	-	57	56	55	-	53	
											52	51	50	49	48	47	-	-	44	43	42	41	40	-	-	37	36	35	34	33	
											-																				
MX123 CONN ASSY 73 CKT BLK OPT0 KEY A/45	345663363	C-HSG-A0	G-CAP-0-P	TPA-A0	RS	LS	MAL	CPA	MSEAL	RSEAL	72	-	70	-	-	67	66	-	-	-	62	-	60	-	58	-	-	55	-	53	
											-	51	-	-	48	-	46	45	44	43	-	-	-	-	-	-	35	-	-		
											-																				
MX123 CONN ASSY 73 CKT BLU OPT9 KEY C/41	345663373	C-HSG-C9	G-CAP-9-P	TPA-C9	RS	LS	MAL	CPA	MSEAL	RSEAL	-	71	-	69	-	-	-	65	64	-	-	61	60	-	58	-	-	-	54	-	
											-	-	50	49	-	-	-	45	-	43	-	41	-	-	-	37	36	35	-	-	
											-																				
MX123 CONN ASSY 73 CKT BLK OPT0 KEY A/44	345663383	C-HSG-A0	G-CAP-0-P	TPA-A0	RS	LS	MAL	CPA	MSEAL	RSEAL	72	71	-	-	-	67	66	-	-	-	62	-	60	-	-	-	-	55	-	53	
											-	51	-	-	-	-	46	45	44	43	-	-	40	39	-	-	-	35	-	-	
											-																				

ASSEMBLY DESCRIPTION	ASSEMBLY PART NUMBER	CONNECTOR HOUSING	GROMMET CAP	TPA	RIGHT SLIDE	LEFT SLIDE	MATE ASSIST LEVER	CPA	MAT SEAL	RING SEAL	BLOCKED TERMINALS																		STATUS	COMMENTS	INTEGRAL COMPONENTS SOLD SEPARATELY
											CAVITY WITH A NUMBER INDICATES BLOCKED TERMINAL POSITION																				DRESS COVER
											CAVITY WITHOUT A NUMBER INDICATES OPEN TERMINAL POSITION																				
MX123 CONN ASSY 73 CKT BLU OPT0 KEY C/35	345663393	C-HSG-C0	G-CAP-0-P	TPA-C0	RS	LS	MAL	CPA	MSEAL	RSEAL	-	71	-	69	-	-	-	65	64	-	-	61	60	-	58	-	56	55	54	-	
											-	-	50	49	-	-	-	45	-	43	-	41	-	-	38	37	36	35	-	-	
											-																				
MX123 CONN ASSY 73 CKT BLK OPT0 KEY A/6	345663403	C-HSG-A0	G-CAP-0-P	TPA-A0	RS	LS	MAL	CPA	MSEAL	RSEAL	-	-	-	-	-	-	-	65	-	-	-	61	-	-	-	-	-	-			
											-	-	-	-	-	-	-	45	-	-	-	-	-	-	-	-	-	-	-		
											-																				
MX123 CONN ASSY 73 CKT BLK OPT0 KEY A/45	345663413	C-HSG-A0	G-CAP-0-P	TPA-A0	RS	LS	MAL	CPA	MSEAL	RSEAL	-	71	-	69	68	-	-	-	64	63	62	-	60	59	-	-	56	-	53		
											52	51	-	-	48	-	46	-	-	-	-	-	40	-	38	-	36	-	34	33	
											-																				
MX123 CONN ASSY 73 CKT BLU OPT9 KEY C/31	345663423	C-HSG-C9	G-CAP-9-P	TPA-C9	RS	LS	MAL	CPA	MSEAL	RSEAL	72	71	70	-	68	67	66	65	64	-	62	61	60	59	-	57	-	-	-		
											-	-	50	-	48	47	46	45	-	-	-	-	40	39	38	37	-	-	-	-	
											-																				
MX123 CONN ASSY 73 CKT BLU OPT9 KEY C/30	345663433	C-HSG-C9	G-CAP-9-P	TPA-C9	RS	LS	MAL	CPA	MSEAL	RSEAL	-	71	-	69	68	67	-	65	64	-	-	61	60	-	58	-	-	54	-		
											-	-	50	49	48	47	-	45	-	43	-	41	-	-	38	37	36	35	-	-	
											-																				
MX123 CONN ASSY 73 CKT BLK OPT0 KEY A/36	345663443	C-HSG-A0	G-CAP-0-P	TPA-A0	RS	LS	MAL	CPA	MSEAL	RSEAL	72	-	70	-	68	67	66	-	-	-	62	61	-	59	58	-	-	-	-		
											-	-	50	-	48	47	46	-	-	-	-	-	40	39	38	-	-	-	-	-	
											-																				
MX123 CONN ASSY 73 CKT BLK OPT0 KEY A/6	345663453	C-HSG-A0	G-CAP-0-P	TPA-A0	RS	LS	MAL	CPA	MSEAL	RSEAL	72	71	70	69	68	67	66	65	64	63	62	-	60	59	58	57	56	55	54	53	
											52	51	50	49	48	47	46	45	44	43	42	41	40	39	38	37	36	35	34	33	
											-																				
MX123 CONN ASSY 73 CKT GRY OPT9 KEY B/54	345663473	C-HSG-B9	G-CAP-9-P	TPA-B9	RS	LS	MAL	CPA	MSEAL	RSEAL	-	-	-	-	-	-	-	-	63	-	-	-	-	-	-	-	-	53			
											-	-	-	-	48	47	-	45	-	43	42	41	-	39	-	-	-	35	34	33	
											-																				
MX123 CONN ASSY 73 CKT GRY OPT0 KEY B/51	345663483	C-HSG-B0	G-CAP-0-P	TPA-B0	RS	LS	MAL	CPA	MSEAL	RSEAL	-	-	-	-	-	-	-	64	63	62	-	-	59	58	-	-	-	53			
											-	-	-	-	-	47	-	45	-	43	42	41	-	39	-	-	-	35	34	33	
											-																				
MX123 CONN ASSY 73 CKT BLK OPT0 KEY A/44	345663493	C-HSG-A0	G-CAP-0-P	TPA-A0	RS	LS	MAL	CPA	MSEAL	RSEAL	-	71	-	69	68	-	-	-	64	63	62	-	60	59	-	-	56	-	53		
											52	51	50	-	48	-	46	-	-	-	-	-	40	-	38	-	36	-	34	33	
											-																				
MX123 CONN ASSY 73 CKT BLK OPT0 KEY A/32	345663503	C-HSG-A0	G-CAP-0-P	TPA-A0	RS	LS	MAL	CPA	MSEAL	RSEAL	-	-	70	-	-	-	-	65	-	-	-	61	-	-	58	57	56	55	54	53	
											-	51	50	-	-	47	-	45	-	-	-	41	-	-	38	37	36	-	34	-	
											-																				
MX123 CONN ASSY 73 CKT BLK OPT0 KEY A/37	345663513	C-HSG-A0	G-CAP-0-P	TPA-A0	RS	LS	MAL	CPA	MSEAL	RSEAL	72	71	-	-	68	67	66	65	64	-	-	-	-	59	-	-	-	-	-		
											-	-	50	-	48	47	46	45	-	-	-	-	40	39	38	-	-	35	-	33	
											-																				

ASSEMBLY DESCRIPTION	ASSEMBLY PART NUMBER	CONNECTOR HOUSING	GROMMET CAP	TPA	RIGHT SLIDE	LEFT SLIDE	MATE ASSIST LEVER	CPA	MAT SEAL	RING SEAL	BLOCKED TERMINALS																		STATUS	COMMENTS	INTEGRAL COMPONENTS SOLD SEPARATELY		
											CAVITY WITH A NUMBER INDICATES BLOCKED TERMINAL POSITION																				DRESS COVER		
											CAVITY WITHOUT A NUMBER INDICATES OPEN TERMINAL POSITION																						
MX123 CONN ASSY 73 CKT BLK OPT0 KEY A/31	345663523	C-HSG-A0	G-CAP-0-P	TPA-A0	RS	LS	MAL	CPA	MSEAL	RSEAL	-	71	-	69	68	67	-	65	64	-	-	61	60	59	58	57	-	-	-	53	SALEABLE		345650003
											-	51	50	-	48	47	46	45	44	-	-	41	40	39	38	37	-	-	-	33			
																													32	-			
MX123 CONN ASSY 73 CKT BLK OPT9 KEY A/31	345663533	C-HSG-A9	G-CAP-9-P	TPA-A9	RS	LS	MAL	CPA	MSEAL	RSEAL	72	71	70	-	68	67	66	65	64	-	62	61	60	59	-	57	-	-	-	-	SALEABLE		345650003
											-	-	50	-	48	47	46	45	-	-	-	-	40	39	38	37	-	-	-	-			
																													-	31			
MX123 CONN ASSY 73 CKT BLK OPT9 KEY A/30	345663543	C-HSG-A9	G-CAP-9-P	TPA-A9	RS	LS	MAL	CPA	MSEAL	RSEAL	-	71	-	69	68	67	-	65	64	-	-	61	60	-	58	-	-	-	54	-	SALEABLE		345650003
											-	-	50	49	48	47	-	45	-	43	-	41	-	-	38	37	36	35	-	-			
																													32	31			
MX123 CONN ASSY 73 CKT BLU OPT9 KEY C/60	345663553	C-HSG-C9	G-CAP-9-P	TPA-C9	RS	LS	MAL	CPA	MSEAL	RSEAL	-	-	-	-	-	-	-	-	64	-	-	-	60	-	-	-	-	-	-	SALEABLE		345650003	
											52	-	-	-	-	47	-	-	-	-	-	-	-	-	37	-	-	-	-				-
																													32				-
MX123 CONN ASSY 73 CKT BLU OPT9 KEY C/37	345663563	C-HSG-C9	G-CAP-9-P	TPA-C9	RS	LS	MAL	CPA	MSEAL	RSEAL	-	71	-	69	-	-	-	65	64	-	-	61	60	-	58	-	56	55	54	-	SALEABLE		345650003
											-	-	50	49	-	-	-	45	-	43	-	41	-	-	37	36	35	-	-	-			
																													-	31			
MX123 CONN ASSY 73 CKT BLU OPT9 KEY C/41	345663573	C-HSG-C9	G-CAP-9-P	TPA-C9	RS	LS	MAL	CPA	MSEAL	RSEAL	72	71	-	-	-	67	66	65	64	-	-	-	60	59	-	-	-	-	-	SALEABLE		345650003	
											-	-	-	-	-	-	46	45	-	-	-	-	40	39	38	-	-	35	-				33
																													-				31
MX123 CONN ASSY 73 CKT BLK OPT9 KEY A/38	345663583	C-HSG-A9	G-CAP-9-P	TPA-A9	RS	LS	MAL	CPA	MSEAL	RSEAL	72	71	-	-	68	67	66	65	64	-	-	-	60	59	-	-	-	-	-	SALEABLE		345650003	
											-	-	-	-	48	47	46	45	-	-	-	-	40	39	38	-	-	35	-				33
																													-				31
MX123 CONN ASSY 73 CKT BLK OPT0 KEY A/36	345663593	C-HSG-A0	G-CAP-0-P	TPA-A0	RS	LS	MAL	CPA	MSEAL	RSEAL	72	-	70	-	68	67	66	65	-	-	62	61	-	59	-	-	-	-	-	SALEABLE		345650003	
											-	-	50	-	48	47	46	-	-	-	-	-	40	39	38	-	-	-	-				-
																													-				31
MX123 CONN ASSY 73 CKT GRY OPT0 KEY B/52	345663603	C-HSG-B0	G-CAP-0-P	TPA-B0	RS	LS	MAL	CPA	MSEAL	RSEAL	72	71	70	69	-	67	66	65	-	63	62	61	60	-	58	-	56	-	54	-	SALEABLE		345650003
											52	51	50	-	-	47	-	45	44	43	42	41	40	-	38	-	36	-	34	-			
																													-	31			
MX123 CONN ASSY 73 CKT GRY OPT0 KEY B/20	345663613	C-HSG-B0	G-CAP-0-P	TPA-B0	RS	LS	MAL	CPA	MSEAL	RSEAL	72	71	70	69	-	66	65	-	-	62	61	60	-	58	57	56	55	54	53	SALEABLE		345650003	
											52	51	50	49	48	47	-	-	44	-	42	41	40	-	38	37	36	35	34				33
																													-				31
MX123 CONN ASSY 73 CKT BLK OPT0 KEY A/40	345663623	C-HSG-A0	G-CAP-0-P	TPA-A0	RS	LS	MAL	CPA	MSEAL	RSEAL	-	71	-	-	68	67	66	65	64	-	-	-	-	-	-	-	-	-	SALEABLE		345650003		
											-	-	50	-	48	47	46	45	-	-	-	-	40	39	38	-	-	35				-	33
																																-	31
MX123 CONN ASSY 73 CKT BLU OPT0 KEY C/42	345663633	C-HSG-C0	G-CAP-0-P	TPA-C0	RS	LS	MAL	CPA	MSEAL	RSEAL	-	71	-	69	-	-	-	65	64	-	-	61	60	-	58	-	56	55	54	-	SALEABLE		345650003
											-	-	50	49	-	-	-	45	-	43	42	41	-	-	-	-	-	35	-	-			
																													-	31			

ASSEMBLY DESCRIPTION	ASSEMBLY PART NUMBER	CONNECTOR HOUSING	GROMMET CAP	TPA	RIGHT SLIDE	LEFT SLIDE	MATE ASSIST LEVER	CPA	MAT SEAL	RING SEAL	BLOCKED TERMINALS																		STATUS	COMMENTS	INTEGRAL COMPONENTS SOLD SEPARATELY		
											CAVITY WITH A NUMBER INDICATES BLOCKED TERMINAL POSITION																				DRESS COVER		
											CAVITY WITHOUT A NUMBER INDICATES OPEN TERMINAL POSITION																						
MX123 CONN ASSY 73 CKT GRY OPT0 KEY B/38	345663643	C-HSG-B0	G-CAP-0-P	TPA-B0	RS	LS	MAL	CPA	MSEAL	RSEAL	-	-	-	69	-	-	-	65	-	-	62	61	60	-	58	57	56	55	54	-	SALEABLE		345650003
											-	-	-	49	-	-	-	45	44	43	42	41	40	-	38	37	36	35	-	-			
											-	-	-	-	-	-	-	-	-	-	-	-	-	23	22	21	20	19	18	-			
MX123 CONN ASSY 73 CKT GRY OPT0 KEY B/44	345663653	C-HSG-B0	G-CAP-0-P	TPA-B0	RS	LS	MAL	CPA	MSEAL	RSEAL	-	-	-	-	-	67	-	-	-	-	62	61	60	-	58	57	56	55	54	-	SALEABLE		345650003
											-	-	-	-	-	-	-	-	-	-	42	41	40	-	38	37	36	35	-	-			
											-	-	-	-	31	-	-	-	-	-	-	-	-	23	22	21	20	19	18	-			
MX123 CONN ASSY 73 CKT BLK OPT0 KEY A/41	345663663	C-HSG-A0	G-CAP-0-P	TPA-A0	RS	LS	MAL	CPA	MSEAL	RSEAL	-	71	-	-	68	67	66	65	64	-	-	-	-	-	-	-	-	-	-	SALEABLE		345650003	
											-	-	50	-	48	47	46	45	-	-	-	-	40	39	38	-	-	35	-				33
											-	-	-	-	31	30	-	-	-	-	25	24	23	22	21	20	-	-	17				-
MX123 CONN ASSY 73 CKT BLU OPT9 KEY C/54	345663673	C-HSG-C9	G-CAP-9-P	TPA-C9	RS	LS	MAL	CPA	MSEAL	RSEAL	72	-	-	-	-	-	66	-	64	-	-	-	60	-	-	-	-	-	-	SALEABLE		345650003	
											52	-	-	-	-	47	46	-	-	-	-	-	-	-	37	-	-	-	-				
											-	-	-	-	32	-	-	-	-	-	25	24	23	-	21	-	-	-	-				
MX123 CONN ASSY 73 CKT BLU OPT0 KEY C/37	345663693	C-HSG-C0	G-CAP-0-P	TPA-C0	RS	LS	MAL	CPA	MSEAL	RSEAL	-	71	-	69	-	-	-	65	64	-	-	61	60	-	58	-	56	55	54	-	SALEABLE		345650003
											-	-	50	49	-	-	-	45	-	43	-	41	-	-	37	36	35	-	-				
											-	-	-	-	31	-	29	28	-	-	-	24	23	-	-	20	19	18	17	-			
MX123 CONN ASSY 73 CKT BLK OPT0 KEY A/55	345663703	C-HSG-A0	G-CAP-0-P	TPA-A0	RS	LS	MAL	CPA	MSEAL	RSEAL	72	71	70	69	-	-	-	-	64	63	62	61	60	-	58	57	56	-	54	-	SALEABLE		345650003
											52	51	50	-	-	-	46	45	-	43	42	41	40	-	38	37	36	-	34	-			
											-	-	-	-	32	31	30	-	-	27	26	25	24	-	22	21	20	19	18	17			
MX123 CONN ASSY 73 CKT BLU OPT0 KEY C/36	345663713	C-HSG-C0	G-CAP-0-P	TPA-C0	RS	LS	MAL	CPA	MSEAL	RSEAL	-	71	-	69	-	-	-	65	64	-	-	61	60	-	58	-	56	55	54	-	SALEABLE		345650003
											-	-	50	49	-	-	-	45	-	43	-	41	-	-	38	37	36	35	-	-			
											-	-	-	-	31	-	29	28	-	-	-	24	23	-	-	20	19	18	17	-			
MX123 CONN ASSY 73 CKT BLK OPT0 KEY A/38	345663723	C-HSG-A0	G-CAP-0-P	TPA-A0	RS	LS	MAL	CPA	MSEAL	RSEAL	72	71	-	-	68	67	66	65	64	-	-	-	60	59	-	-	-	-	-	SALEABLE		345650003	
											-	-	-	-	48	47	46	45	-	-	-	-	40	39	38	-	-	35	-				33
											-	-	-	-	31	30	-	-	-	-	25	24	23	22	21	20	-	-	17				-
MX123 CONN ASSY 73 CKT GRY OPT0 KEY B/50	345663733	C-HSG-B0	G-CAP-0-P	TPA-B0	RS	LS	MAL	CPA	MSEAL	RSEAL	-	-	-	69	-	-	-	65	64	63	-	-	-	-	-	-	-	-	-	SALEABLE		345650003	
											-	-	-	49	-	-	-	45	44	43	-	-	-	-	-	-	-	-	-				-
											-	-	-	-	-	-	-	-	-	-	-	-	-	22	21	20	19	18	17				-
MX123 CONN ASSY 73 CKT BLU OPT0 KEY C/36	345663743	C-HSG-C0	G-CAP-0-P	TPA-C0	RS	LS	MAL	CPA	MSEAL	RSEAL	-	71	-	69	-	67	-	65	64	-	-	61	60	-	58	-	56	55	54	-	SALEABLE		345650003
											-	-	50	49	-	-	-	45	-	43	-	41	-	-	37	36	35	-	-				
											-	-	-	-	31	-	29	28	-	-	-	24	23	-	-	20	19	18	17	-			
MX123 CONN ASSY 73 CKT BLU OPT0 KEY C/35	345663753	C-HSG-C0	G-CAP-0-P	TPA-C0	RS	LS	MAL	CPA	MSEAL	RSEAL	-	71	-	69	-	67	-	65	64	-	-	61	60	-	58	-	56	55	54	-	SALEABLE		345650003
											-	-	50	49	-	-	-	45	-	43	-	41	-	-	38	37	36	35	-	-			
											-	-	-	-	31	-	29	28	-	-	-	24	23	-	-	20	19	18	17	-			
MX123 CONN ASSY 73 CKT BLU OPT0 KEY C/37	345663763	C-HSG-C0	G-CAP-0-P	TPA-C0	RS	LS	MAL	CPA	MSEAL	RSEAL	-	71	-	69	-	67	-	65	64	-	-	61	60	-	58	-	-	-	54	-	SALEABLE		345650003
											-	-	50	49	-	-	-	45	-	43	-	41	-	-	38	37	36	35	-	-			
											-	-	-	-	31	-	29	28	-	-	-	24	23	-	-	20	19	18	17	-			

ASSEMBLY DESCRIPTION	ASSEMBLY PART NUMBER	CONNECTOR HOUSING	GROMMET CAP	TPA	RIGHT SLIDE	LEFT SLIDE	MATE ASSIST LEVER	CPA	MAT SEAL	RING SEAL	BLOCKED TERMINALS																		STATUS	COMMENTS	INTEGRAL COMPONENTS SOLD SEPARATELY
											CAVITY WITH A NUMBER INDICATES BLOCKED TERMINAL POSITION																				DRESS COVER
											CAVITY WITHOUT A NUMBER INDICATES OPEN TERMINAL POSITION																				
MX123 CONN ASSY 73 CKT BLK OPT0 KEY A/31	345663773	C-HSG-A0	G-CAP-0-P	TPA-A0	RS	LS	MAL	CPA	MSEAL	RSEAL	72	71	-	-	68	67	66	65	64	-	62	61	60	59	-	57	-	-	-	-	
											-	-	-	-	48	47	46	45	-	-	-	-	40	-	38	37	-	35	-	33	
											-																				
MX123 CONN ASSY 73 CKT BLK OPT0 KEY A/34	345663783	C-HSG-A0	G-CAP-0-P	TPA-A0	RS	LS	MAL	CPA	MSEAL	RSEAL	72	71	-	-	68	67	66	65	64	-	62	61	60	59	-	57	-	-	-	-	
											-	-	-	-	48	47	46	45	-	-	-	-	40	-	38	37	-	35	-	33	
											-																				
MX123 CONN ASSY 73 CKT BLK OPT0 KEY A/38	345663793	C-HSG-A0	G-CAP-0-P	TPA-A0	RS	LS	MAL	CPA	MSEAL	RSEAL	72	-	-	69	68	67	66	65	-	-	62	61	-	59	-	-	-	-	-		
											-	-	50	-	48	47	46	-	-	-	-	40	39	38	-	-	35	-	33		
											-																				
MX123 CONN ASSY 73 CKT BLK OPT0 KEY A/32	345663803	C-HSG-A0	G-CAP-0-P	TPA-A0	RS	LS	MAL	CPA	MSEAL	RSEAL	-	-	70	-	-	-	-	65	-	-	-	61	60	-	58	57	-	55	54	-	
											52	51	-	49	-	47	-	45	-	-	-	41	40	-	38	37	-	-	34	-	
											-																				
MX123 CONN ASSY 73 CKT BLU OPT0 KEY C/42	345663813	C-HSG-C0	G-CAP-0-P	TPA-C0	RS	LS	MAL	CPA	MSEAL	RSEAL	-	71	-	69	-	67	-	65	64	-	-	61	60	-	58	-	56	55	54	-	
											-	-	50	49	-	-	-	45	-	43	-	41	-	-	-	-	35	-	-		
											-																				
MX123 CONN ASSY 73 CKT BLK OPT0 KEY A/30	345663823	C-HSG-A0	G-CAP-0-P	TPA-A0	RS	LS	MAL	CPA	MSEAL	RSEAL	72	71	-	-	68	67	66	65	64	-	62	-	60	59	-	-	-	-	-		
											-	-	50	-	48	47	46	45	-	-	42	-	40	39	38	-	-	35	-	33	
											-																				
MX123 CONN ASSY 73 CKT BLK OPT0 KEY A/37	345663833	C-HSG-A0	G-CAP-0-P	TPA-A0	RS	LS	MAL	CPA	MSEAL	RSEAL	72	71	-	-	68	67	66	65	64	-	-	-	60	59	58	-	-	-	-	-	
											-	-	50	-	48	47	46	45	-	-	-	40	39	38	-	-	35	-	33		
											-																				
MX123 CONN ASSY 73 CKT BLK OPT0 KEY A/51	345663843	C-HSG-A0	G-CAP-0-P	TPA-A0	RS	LS	MAL	CPA	MSEAL	RSEAL	-	-	-	-	-	-	-	65	-	-	-	61	-	-	58	57	56	-	-	-	
											-	51	50	-	-	47	46	45	-	-	-	-	-	38	37	36	-	-	-		
											-																				
MX123 CONN ASSY 73 CKT BLK OPT0 KEY A/53	345663853	C-HSG-A0	G-CAP-0-P	TPA-A0	RS	LS	MAL	CPA	MSEAL	RSEAL	-	-	-	-	-	-	-	-	-	-	-	61	-	-	58	57	56	-	-	-	
											-	51	50	-	-	47	46	-	-	-	-	-	-	38	37	36	-	-	-		
											-																				
MX123 CONN ASSY 73 CKT GRY OPT0 KEY B/51	345663863	C-HSG-B0	G-CAP-0-P	TPA-B0	RS	LS	MAL	CPA	MSEAL	RSEAL	-	-	-	69	-	-	-	65	64	63	-	-	-	-	-	-	-	-	-		
											-	-	-	49	-	-	-	45	44	43	-	-	-	-	-	-	-	-	-		
											-																				
MX123 CONN ASSY 73 CKT GRY OPT0 KEY B/34	345663873	C-HSG-B0	G-CAP-0-P	TPA-B0	RS	LS	MAL	CPA	MSEAL	RSEAL	72	71	70	69	68	67	66	65	64	-	62	61	60	-	-	-	-	-	54	53	
											52	51	-	-	-	47	-	-	44	-	42	41	40	-	-	-	-	-	-	33	
											-																				
MX123 CONN ASSY 73 CKT GRY OPT0 KEY B/35	345663883	C-HSG-B0	G-CAP-0-P	TPA-B0	RS	LS	MAL	CPA	MSEAL	RSEAL	72	71	70	69	68	-	-	65	64	63	62	61	60	-	-	-	-	54	-		
											52	51	-	-	-	47	46	-	44	43	42	41	40	-	-	-	-	-	-		
											-																				

ASSEMBLY DESCRIPTION	ASSEMBLY PART NUMBER	CONNECTOR HOUSING	GROMMET CAP	TPA	RIGHT SLIDE	LEFT SLIDE	MATE ASSIST LEVER	CPA	MAT SEAL	RING SEAL	BLOCKED TERMINALS																		STATUS	COMMENTS	INTEGRAL COMPONENTS SOLD SEPARATELY			
											CAVITY WITH A NUMBER INDICATES BLOCKED TERMINAL POSITION																				DRESS COVER			
											CAVITY WITHOUT A NUMBER INDICATES OPEN TERMINAL POSITION																							
MX123 CONN ASSY 73 CKT BLU OPT0 KEY C/34	345663893	C-HSG-C0	G-CAP-0-P	TPA-C0	RS	LS	MAL	CPA	MSEAL	RSEAL	-	71	-	69	-	-	-	65	64	-	-	61	60	-	58	-	56	55	54	-				
											-	-	50	49	-	-	-	45	-	43	-	41	40	39	38	37	36	35	-	-				
											-																		16	-	-	13	12	11
MX123 CONN ASSY 73 CKT GRY OPT0 KEY B/54	345663903	C-HSG-B0	G-CAP-0-P	TPA-B0	RS	LS	MAL	CPA	MSEAL	RSEAL	72	71	70	69	68	67	66	-	64	63	62	61	60	-	58	-	56	-	54	-				
											52	51	50	-	-	47	-	45	-	43	42	41	40	-	38	-	36	-	34	-				
											-																		32	31	30	-	-	27
-																		16	15	14	13	12	11	10	9	8	-	6	5	4	3	2	1	
MX123 CONN ASSY 73 CKT BLK OPT0 KEY A/39	345663913	C-HSG-A0	G-CAP-0-P	TPA-A0	RS	LS	MAL	CPA	MSEAL	RSEAL	72	-	-	-	68	67	66	65	-	-	62	61	-	59	-	-	-	-	-					
											-	-	50	-	48	47	46	-	-	-	-	-	40	39	38	-	-	35	-	33				
											-																		-	31	-	29	-	27
-																		-	-	14	13	-	11	-	9	-	7	6	-	4	-	2	1	
MX123 CONN ASSY 73 CKT GRY OPT0 KEY B/36	345663923	C-HSG-B0	G-CAP-0-P	TPA-B0	RS	LS	MAL	CPA	MSEAL	RSEAL	-	71	-	69	-	67	-	65	64	63	62	61	-	-	58	57	56	-	-	-				
											-	51	-	49	-	47	-	45	44	43	42	41	-	-	38	37	36	-	-	-				
											-																		-	-	-	-	-	-
-																		-	15	14	13	12	11	-	-	-	-	6	5	4	3	2	1	
MX123 CONN ASSY 73 CKT BLK OPT0 KEY A/35	345663933	C-HSG-A0	G-CAP-0-P	TPA-A0	RS	LS	MAL	CPA	MSEAL	RSEAL	72	-	-	-	68	67	66	65	-	-	62	61	-	59	-	-	-	-	-					
											-	-	50	-	48	47	46	-	-	-	-	-	40	39	38	-	-	35	-	33				
											-																		-	31	-	29	-	27
-																		-	-	14	13	-	11	-	9	8	7	6	5	4	-	2	1	
MX123 CONN ASSY 73 CKT BLU OPT0 KEY C/32	345663943	C-HSG-C0	G-CAP-0-P	TPA-C0	RS	LS	MAL	CPA	MSEAL	RSEAL	-	71	-	69	-	67	-	65	64	63	62	61	-	-	58	57	56	-	-	-				
											-	51	-	49	-	47	-	45	44	43	42	41	-	-	38	37	36	-	-	-				
											-																		-	-	-	-	-	-
-																		-	15	14	13	12	11	-	-	-	-	7	6	5	4	3	2	1
MX123 CONN ASSY 73 CKT BLU OPT0 KEY C/35	345663953	C-HSG-C0	G-CAP-0-P	TPA-C0	RS	LS	MAL	CPA	MSEAL	RSEAL	-	71	-	69	-	67	66	65	64	-	-	61	60	-	58	-	56	55	54	-				
											-	-	50	49	-	-	-	45	-	43	-	41	-	-	38	37	36	35	-	-				
											-																		-	31	-	29	28	27
-																		16	-	-	-	12	11	10	9	8	-	-	-	-	3	2	1	
MX123 CONN ASSY 73 CKT BLU OPT0 KEY C/36	345663963	C-HSG-C0	G-CAP-0-P	TPA-C0	RS	LS	MAL	CPA	MSEAL	RSEAL	-	71	-	69	-	-	-	65	64	-	-	61	60	-	58	-	56	55	54	-				
											-	-	50	49	-	-	-	45	-	43	-	41	-	-	-	37	36	35	-	-				
											-																		-	31	-	29	28	27
-																		16	-	-	13	12	11	-	-	8	7	-	-	-	3	2	1	
MX123 CONN ASSY 73 CKT BLU OPT0 KEY C/33	345663973	C-HSG-C0	G-CAP-0-P	TPA-C0	RS	LS	MAL	CPA	MSEAL	RSEAL	-	71	-	69	-	-	66	65	64	-	-	61	60	-	58	-	56	55	54	-				
											-	-	50	49	-	-	-	45	-	43	-	41	-	-	-	37	36	35	-	-				
											-																		-	31	-	29	28	27
-																		16	-	-	13	12	11	10	9	8	7	-	-	-	3	2	1	
MX123 CONN ASSY 73 CKT BLK OPT0 KEY A/38	345663983	C-HSG-A0	G-CAP-0-P	TPA-A0	RS	LS	MAL	CPA	MSEAL	RSEAL	-	-	-	-	68	67	66	65	-	-	62	61	-	-	-	-	-	-	-					
											-	-	50	-	48	47	46	-	-	-	-	-	-	39	38	-	-	35	-	33				
											-																		-	31	-	29	-	27
-																		-	-	14	13	-	11	-	9	8	7	6	5	4	-	2	1	
MX123 CONN ASSY 73 CKT BLK OPT0 KEY A/38	345663993	C-HSG-A0	G-CAP-0-P	TPA-A0	RS	LS	MAL	CPA	MSEAL	RSEAL	72	71	-	-	68	67	66	65	64	-	-	-	-	59	-	-	-	-	-					
											-	-	50	-	48	47	46	45	-	-	-	-	-	39	38	-	-	35	-	33				
											-																		-	31	30	-	-	-
-																		-	-	14	-	-	-	-	9	8	7	6	5	4	-	2	1	
MX123 CONN ASSY 73 CKT GRY OPT0 KEY B/44	345664003	C-HSG-B0	G-CAP-0-P	TPA-B0	RS	LS	MAL	CPA	MSEAL	RSEAL	72	71	70	69	68	-	-	65	-	-	62	61	60	-	58	-	56	-	54	-				
											52	51	-	-	-	47	46	45	44	-	42	41	40	-	38	-	36	-	34	-				
											-																		-	31	30	-	28	-
-																		16	-	14	13	12	11	10	9	8	-	-	-	-	-	2	1	

ASSEMBLY DESCRIPTION	ASSEMBLY PART NUMBER	CONNECTOR HOUSING	GROMMET CAP	TPA	RIGHT SLIDE	LEFT SLIDE	MATE ASSIST LEVER	CPA	MAT SEAL	RING SEAL	BLOCKED TERMINALS																		STATUS	COMMENTS	INTEGRAL COMPONENTS SOLD SEPARATELY		
											CAVITY WITH A NUMBER INDICATES BLOCKED TERMINAL POSITION																				DRESS COVER		
											CAVITY WITHOUT A NUMBER INDICATES OPEN TERMINAL POSITION																						
MX123 CONN ASSY 73 CKT GRY OPT0 KEY B/34	345664013	C-HSG-B0	G-CAP-0-P	TPA-B0	RS	LS	MAL	CPA	MSEAL	RSEAL	-	71	-	69	-	67	-	65	64	63	62	61	-	-	58	57	56	-	-	-			
											-	51	-	49	-	47	-	45	44	43	42	41	-	-	38	37	36	-	-	-			
											-																		-	15	14	13	12
MX123 CONN ASSY 73 CKT GRY OPT0 KEY B/49	345664023	C-HSG-B0	G-CAP-0-P	TPA-B0	RS	LS	MAL	CPA	MSEAL	RSEAL	-	-	-	69	-	-	-	65	64	63	-	-	-	-	-	-	-	-	-				
											-	-	-	49	-	-	-	45	44	43	-	-	-	-	-	-	-	-	-	-			
											-																		-	-	-	-	-
MX123 CONN ASSY 73 CKT BLU OPT0 KEY C/36	345664033	C-HSG-C0	G-CAP-0-P	TPA-C0	RS	LS	MAL	CPA	MSEAL	RSEAL	-	71	-	69	-	67	66	65	64	-	-	61	60	-	-	-	56	55	54	-			
											-	-	50	49	-	-	46	45	-	43	-	41	-	-	-	37	36	35	-	-			
											-																		-	31	-	29	28
MX123 CONN ASSY 73 CKT BLK OPT0 KEY A/36	345664043	C-HSG-A0	G-CAP-0-P	TPA-A0	RS	LS	MAL	CPA	MSEAL	RSEAL	72	-	-	-	68	-	66	65	-	-	62	61	-	59	58	-	-	-	-	-			
											-	-	50	-	48	47	46	-	-	-	-	40	39	38	-	-	35	-	33				
											-																		-	31	-	29	-
MX123 CONN ASSY 73 CKT BLK OPT0 KEY A/43	345664053	C-HSG-A0	G-CAP-0-P	TPA-A0	RS	LS	MAL	CPA	MSEAL	RSEAL	-	71	70	-	68	-	-	-	64	-	62	61	-	59	58	-	-	55	54	-			
											52	51	50	-	48	-	-	45	-	-	-	41	-	39	38	-	-	-	34	-			
											-																		32	-	-	-	-
MX123 CONN ASSY 73 CKT GRY OPT0 KEY B/24	345664063	C-HSG-B0	G-CAP-0-P	TPA-B0	RS	LS	MAL	CPA	MSEAL	RSEAL	72	71	70	69	-	-	66	65	-	63	62	61	60	-	-	57	56	55	-	53			
											52	51	50	49	48	47	-	-	44	43	42	41	40	-	-	37	36	35	34	33			
											-																		-	31	-	-	-
MX123 CONN ASSY 73 CKT BLK OPT0 KEY A/36	345664073	C-HSG-A0	G-CAP-0-P	TPA-A0	RS	LS	MAL	CPA	MSEAL	RSEAL	-	71	-	69	68	67	-	65	64	-	-	61	60	-	58	-	-	-	54	-			
											-	-	50	49	48	47	-	45	-	43	-	41	-	-	38	-	-	35	-	-			
											-																		-	31	-	29	28
MX123 CONN ASSY 73 CKT BLU OPT0 KEY C/42	345664083	C-HSG-C0	G-CAP-0-P	TPA-C0	RS	LS	MAL	CPA	MSEAL	RSEAL	-	71	-	69	-	67	66	65	64	-	-	61	60	-	-	-	56	55	54	-			
											-	-	50	49	-	-	46	45	-	43	-	41	-	-	-	-	35	-	-				
											-																		-	31	-	29	28
MX123 CONN ASSY 73 CKT BLK OPT0 KEY A/37	345664093	C-HSG-A0	G-CAP-0-P	TPA-A0	RS	LS	MAL	CPA	MSEAL	RSEAL	72	-	-	-	68	-	66	65	-	-	62	61	-	59	58	-	-	-	-	-			
											-	-	50	-	48	-	46	-	-	-	-	40	39	38	-	-	35	-	33				
											-																		-	31	-	29	-
MX123 CONN ASSY 73 CKT BLK OPT0 KEY A/29	345664103	C-HSG-A0	G-CAP-0-P	TPA-A0	RS	LS	MAL	CPA	MSEAL	RSEAL	-	-	70	-	-	-	-	65	-	-	-	61	-	-	58	57	56	55	54	53			
											-	51	50	-	-	47	-	-	-	-	-	41	-	-	38	37	36	-	34	-			
											-																		-	31	30	-	28
MX123 CONN ASSY 73 CKT GRY OPT0 KEY B/19	345664113	C-HSG-B0	G-CAP-0-P	TPA-B0	RS	LS	MAL	CPA	MSEAL	RSEAL	72	71	70	69	-	-	66	65	-	63	62	61	60	59	-	57	56	55	54	53			
											52	51	50	49	48	47	-	-	44	43	42	41	40	39	-	37	36	35	34	33			
											-																		-	31	-	-	-
MX123 CONN ASSY 73 CKT BLK OPT9 KEY A/42	345664123	C-HSG-A9	G-CAP-9-P	TPA-A9	RS	LS	MAL	CPA	MSEAL	RSEAL	-	71	70	-	68	-	-	-	64	-	62	61	-	59	58	-	-	55	54	-			
											52	51	50	-	48	-	-	45	-	-	-	41	-	39	38	-	-	-	34	-			
											-																		32	-	-	-	-

ASSEMBLY DESCRIPTION	ASSEMBLY PART NUMBER	CONNECTOR HOUSING	GROMMET CAP	TPA	RIGHT SLIDE	LEFT SLIDE	MATE ASSIST LEVER	CPA	MAT SEAL	RING SEAL	BLOCKED TERMINALS																				STATUS	COMMENTS	INTEGRAL COMPONENTS SOLD SEPARATELY
											CAVITY WITH A NUMBER INDICATES BLOCKED TERMINAL POSITION																						DRESS COVER
											CAVITY WITHOUT A NUMBER INDICATES OPEN TERMINAL POSITION																						
MX123 CONN ASSY 73 CKT GRY OPT9 KEY B/25	345664133	C-HSG-B9	G-CAP-9-P	TPA-B9	RS	LS	MAL	CPA	MSEAL	RSEAL	72	71	70	69	-	-	66	65	-	63	62	61	60	-	-	57	56	55	-	53			
											52	51	50	49	48	47	-	-	44	43	42	41	40	-	-	37	36	35	34	33			
															-	31	-	-	-	-	26	25	24	-	-	21	20	19	18	-			
															16	-	14	-	12	11	-	-	-	7	6	5	4	3	2	-			
MX123 CONN ASSY 73 CKT GRY OPT0 KEY B/22	345664143	C-HSG-B0	G-CAP-0-P	TPA-B0	RS	LS	MAL	CPA	MSEAL	RSEAL	72	71	70	69	-	-	66	65	-	63	62	61	60	-	-	57	56	55	-	53			
											52	51	50	49	48	47	-	-	44	43	42	41	40	-	-	37	36	35	34	33			
															-	31	-	-	-	-	26	25	24	-	-	21	20	19	18	-			
															16	15	14	13	12	11	-	-	8	7	6	5	4	3	2	-			
MX123 CONN ASSY 73 CKT GRY OPT0 KEY B/37	345664153	C-HSG-B0	G-CAP-0-P	TPA-B0	RS	LS	MAL	CPA	MSEAL	RSEAL	-	71	-	69	-	67	-	65	64	63	62	61	-	-	58	57	56	-	-	-			
											-	51	-	49	-	47	-	45	-	43	42	41	-	-	38	37	36	-	-	-			
															-	-	-	-	-	-	-	-	-	-	22	21	20	-	-	17			
															-	15	14	13	12	11	-	-	-	-	6	5	4	3	2	1			
MX123 CONN ASSY 73 CKT GRY OPT0 KEY B/35	345664163	C-HSG-B0	G-CAP-0-P	TPA-B0	RS	LS	MAL	CPA	MSEAL	RSEAL	-	71	-	69	-	67	-	65	64	63	62	61	-	-	58	57	56	-	-	-			
											-	51	-	49	-	47	-	45	44	43	42	41	-	-	38	37	36	-	-	-			
															-	-	-	-	-	-	-	-	-	23	22	21	20	19	18	-			
															-	15	14	13	12	11	-	9	-	-	6	5	4	3	-	-			
MX123 CONN ASSY 73 CKT BLK OPT0 KEY A/42	345664173	C-HSG-A0	G-CAP-0-P	TPA-A0	RS	LS	MAL	CPA	MSEAL	RSEAL	-	-	-	-	68	67	66	65	-	-	62	61	-	-	-	57	-	-	-	-			
											-	-	50	-	48	-	46	-	-	-	-	-	40	39	-	37	-	35	-	33			
															-	31	-	29	-	27	-	-	24	23	22	-	20	-	-	17			
															-	-	14	13	-	11	-	-	-	7	6	-	4	-	2	1			
MX123 CONN ASSY 73 CKT BLU OPT0 KEY C/41	345664183	C-HSG-C0	G-CAP-0-P	TPA-C0	RS	LS	MAL	CPA	MSEAL	RSEAL	-	71	-	69	-	67	-	65	64	-	-	61	60	-	-	-	56	55	54	-			
											-	-	50	49	-	-	-	45	-	43	-	41	-	-	38	37	36	35	-	-			
															-	31	-	29	28	27	-	-	24	-	-	-	-	19	18	-			
															16	-	-	-	12	11	-	-	8	-	-	-	-	3	2	-			
MX123 CONN ASSY 73 CKT BLU OPT0 KEY C/38	345664193	C-HSG-C0	G-CAP-0-P	TPA-C0	RS	LS	MAL	CPA	MSEAL	RSEAL	72	-	70	-	68	67	66	-	-	63	62	-	-	59	-	57	-	-	-	53			
											52	51	-	-	48	47	46	-	44	-	42	-	40	39	-	-	-	-	34	33			
															32	-	30	-	-	27	26	25	-	-	22	21	-	-	-	-			
															-	15	14	-	-	-	10	9	-	-	6	5	4	-	-	-			
MX123 CONN ASSY 73 CKT GRY OPT0 KEY B/48	345664203	C-HSG-B0	G-CAP-0-P	TPA-B0	RS	LS	MAL	CPA	MSEAL	RSEAL	72	71	70	69	68	67	66	65	-	63	62	61	60	-	58	-	56	-	54	-			
											52	51	-	-	-	47	-	45	44	43	42	41	40	-	38	-	36	-	34	-			
															-	31	30	-	28	27	26	25	-	-	22	-	20	19	-	17			
															16	-	14	13	12	11	10	9	8	-	-	-	-	-	2	1			
MX123 CONN ASSY 73 CKT BLK OPT0 KEY A/36	345664213	C-HSG-A0	G-CAP-0-P	TPA-A0	RS	LS	MAL	CPA	MSEAL	RSEAL	-	-	70	69	-	-	-	-	-	63	62	61	-	-	-	57	56	55	54	53			
											52	51	-	49	-	-	-	-	44	43	42	41	-	-	-	37	36	-	34	33			
															32	-	-	29	28	27	26	-	-	23	-	-	-	19	18	-			
															16	15	-	13	12	11	10	-	8	-	-	-	-	3	-	-			
MX123 CONN ASSY 73 CKT BLK OPT0 KEY A/38	345664223	C-HSG-A0	G-CAP-0-P	TPA-A0	RS	LS	MAL	CPA	MSEAL	RSEAL	-	-	70	69	-	-	-	-	-	63	62	61	-	-	-	57	56	55	54	53			
											52	51	-	49	-	-	-	-	44	43	42	41	-	-	-	37	36	-	34	-			
															32	-	-	29	28	27	26	-	-	-	-	-	19	18	-				
															16	15	-	13	12	11	10	-	-	-	-	-	3	-	-				
MX123 CONN ASSY 73 CKT GRY OPT0 KEY B/23	345664233	C-HSG-B0	G-CAP-0-P	TPA-B0	RS	LS	MAL	CPA	MSEAL	RSEAL	72	71	70	-	68	67	66	-	-	-	62	61	60	59	58	57	56	55	54	53			
											52	51	50	-	48	47	46	-	-	-	42	41	40	39	38	37	36	35	34	33			
															32	31	30	29	28	27	26	25	24	-	-	-	-	-	-	17			
															16	15	14	13	-	-	10	-	8	-	-	-	-	-	2	1			
MX123 CONN ASSY 73 CKT BLK OPT0 KEY A/21	345664243	C-HSG-A0	G-CAP-0-P	TPA-A0	RS	LS	MAL	CPA	MSEAL	RSEAL	72	71	70	69	68	67	66	65	64	63	62	-	60	59	-	-	-	55	54	53			
											52	-	-	49	48	-	-	45	44	43	42	41	40	39	-	-	-	35	34	33			
															32	-	-	29	28	27	-	25	24	23	-	-	-	19	18	17			
															16	-	-	13	12	11	-	9	8	7	6	5	4	3	2	1			

ASSEMBLY DESCRIPTION	ASSEMBLY PART NUMBER	CONNECTOR HOUSING	GROMMET CAP	TPA	RIGHT SLIDE	LEFT SLIDE	MATE ASSIST LEVER	CPA	MAT SEAL	RING SEAL	BLOCKED TERMINALS																				STATUS	COMMENTS	INTEGRAL COMPONENTS SOLD SEPARATELY
											CAVITY WITH A NUMBER INDICATES BLOCKED TERMINAL POSITION																						DRESS COVER
											CAVITY WITHOUT A NUMBER INDICATES OPEN TERMINAL POSITION																						
MX123 CONN ASSY 73 CKT BLK OPT0 KEY A/23	345664253	C-HSG-A0	G-CAP-0-P	TPA-A0	RS	LS	MAL	CPA	MSEAL	RSEAL	72	71	70	69	68	67	66	65	64	63	62	61	60	59	58	57	56	55	54	53	SALEABLE		345650003
											52	-	-	49	48	-	-	-	44	43	42	41	40	39	-	-	-	35	34	33			
															32	-	-	29	28	27	-	25	24	23	-	-	-	19	18	17			
															16	-	-	13	12	11	-	9	8	7	6	5	4	3	2	1			
MX123 CONN ASSY 73 CKT GRY OPT0 KEY B/36	345664263	C-HSG-B0	G-CAP-0-P	TPA-B0	RS	LS	MAL	CPA	MSEAL	RSEAL	-	-	-	-	-	67	66	-	-	63	-	-	-	59	58	57	56	55	-	53	SALEABLE		345650003
											-	-	50	49	48	-	-	45	-	43	-	-	-	39	38	37	36	35	34	33			
															-	-	-	29	-	27	-	-	-	23	22	21	-	-	18	-			
															16	15	14	13	-	-	-	-	8	7	6	5	4	3	-	-			
MX123 CONN ASSY 73 CKT GRY OPT0 KEY B/40	345664273	C-HSG-B0	G-CAP-0-P	TPA-B0	RS	LS	MAL	CPA	MSEAL	RSEAL	-	-	-	-	-	-	-	-	-	63	-	-	-	59	58	57	56	55	-	53	SALEABLE		345650003
											-	-	50	49	48	-	46	-	-	43	-	-	-	39	38	37	36	35	34	33			
															-	-	-	29	-	27	-	-	-	23	22	21	-	-	18	-			
															16	15	14	-	-	-	-	-	7	6	5	4	3	-	-				
MX123 CONN ASSY 73 CKT BLK OPT0 KEY A/38	345664283	C-HSG-A0	G-CAP-0-P	TPA-A0	RS	LS	MAL	CPA	MSEAL	RSEAL	72	71	-	-	68	67	66	65	64	-	-	-	-	59	58	-	-	-	-	-	SALEABLE		345650003
											-	-	50	-	48	47	46	45	-	-	-	-	40	39	38	-	-	35	-	33			
															-	31	30	-	-	-	-	25	24	-	22	21	20	-	-	17			
															-	-	14	-	-	-	-	9	-	7	6	5	4	-	2	1			
MX123 CONN ASSY 73 CKT GRY OPT0 KEY B/38	345664293	C-HSG-B0	G-CAP-0-P	TPA-B0	RS	LS	MAL	CPA	MSEAL	RSEAL	72	71	70	69	68	-	-	65	64	-	62	61	60	-	-	-	-	-	54	-	SALEABLE		345650003
											52	51	-	-	-	47	46	-	44	-	42	41	40	-	-	-	-	-	-	-			
															32	31	30	-	28	-	26	25	24	-	-	-	20	19	-	17			
															-	-	-	-	12	11	10	9	-	-	-	-	-	-	2	1			
MX123 CONN ASSY 73 CKT BLK OPT0 KEY A/33	345664303	C-HSG-A0	G-CAP-0-P	TPA-A0	RS	LS	MAL	CPA	MSEAL	RSEAL	72	71	-	-	-	66	-	-	-	62	-	60	-	-	-	-	-	55	54	53	SALEABLE		345650003
											52	51	-	-	-	46	45	44	43	42	-	40	39	-	-	-	35	-	-				
															-	-	-	-	-	26	25	-	-	22	21	-	-	-	17				
															-	15	14	-	-	-	-	-	8	7	6	5	4	3	2	-			
MX123 CONN ASSY 73 CKT GRY OPT0 KEY B/35	345664313	C-HSG-B0	G-CAP-0-P	TPA-B0	RS	LS	MAL	CPA	MSEAL	RSEAL	72	71	70	69	68	67	66	65	64	-	62	61	60	-	-	-	-	-	54	-	SALEABLE		345650003
											52	51	-	-	-	47	-	45	44	-	42	41	40	-	-	-	-	-	-	-			
															32	31	30	-	28	-	26	25	24	-	-	-	20	19	-	17			
															-	-	-	-	12	11	10	9	8	-	-	-	-	-	2	1			
MX123 CONN ASSY 73 CKT GRY OPT0 KEY B/37	345664323	C-HSG-B0	G-CAP-0-P	TPA-B0	RS	LS	MAL	CPA	MSEAL	RSEAL	-	71	-	69	-	67	-	65	64	63	62	61	-	-	58	57	56	-	-	-	SALEABLE		345650003
											-	51	-	49	-	47	-	45	44	43	42	41	-	-	38	37	36	-	-	-			
															-	-	-	-	-	-	-	-	-	23	22	21	20	-	-	-			
															-	15	14	13	12	11	-	9	-	-	6	5	4	3	-	-			
MX123 CONN ASSY 73 CKT BLK OPT0 KEY A/40	345664333	C-HSG-A0	G-CAP-0-P	TPA-A0	RS	LS	MAL	CPA	MSEAL	RSEAL	-	-	-	-	68	-	66	65	-	-	62	61	-	-	58	57	-	-	-	-	SALEABLE		345650003
											-	-	50	-	48	-	46	-	-	-	-	40	39	-	37	-	35	-	33				
															-	31	-	29	-	27	-	-	24	-	22	21	20	-	-	17			
															-	-	14	13	-	11	-	-	8	7	6	5	4	-	2	1			
MX123 CONN ASSY 73 CKT BLK OPT0 KEY A/39	345664343	C-HSG-A0	G-CAP-0-P	TPA-A0	RS	LS	MAL	CPA	MSEAL	RSEAL	-	-	-	-	68	67	66	65	-	-	62	61	-	-	-	57	-	-	-	-	SALEABLE		345650003
											-	-	50	-	48	-	46	-	-	-	-	40	39	-	37	-	35	-	33				
															-	31	-	29	-	27	-	-	24	23	22	21	20	-	-	17			
															-	-	14	13	-	11	-	-	8	7	6	5	4	-	2	1			
MX123 CONN ASSY 73 CKT BLU OPT0 KEY C/37	345664353	C-HSG-C0	G-CAP-0-P	TPA-C0	RS	LS	MAL	CPA	MSEAL	RSEAL	-	71	-	69	-	67	66	65	64	-	-	61	60	-	-	-	56	55	54	-	SALEABLE		345650003
											-	-	50	49	-	-	46	45	-	43	-	41	-	-	38	37	36	35	-	-			
															-	31	-	29	28	27	-	-	24	-	-	-	-	19	18	-			
															16	-	-	-	12	11	10	9	8	-	-	-	-	3	2	-			
MX123 CONN ASSY 73 CKT BLK OPT0 KEY A/39	345664363	C-HSG-A0	G-CAP-0-P	TPA-A0	RS	LS	MAL	CPA	MSEAL	RSEAL	72	71	-	-	68	67	66	65	64	-	-	-	-	59	-	-	-	-	-	SALEABLE		345650003	
											-	-	50	-	48	47	46	45	-	-	-	-	40	39	38	-	-	35	-				33
															-	31	30	-	-	-	-	25	24	-	22	21	20	-	-				17
															-	-	14	-	-	-	-	9	-	7	6	5	4	-	2				1

ASSEMBLY DESCRIPTION	ASSEMBLY PART NUMBER	CONNECTOR HOUSING	GROMMET CAP	TPA	RIGHT SLIDE	LEFT SLIDE	MATE ASSIST LEVER	CPA	MAT SEAL	RING SEAL	BLOCKED TERMINALS																				STATUS	COMMENTS	INTEGRAL COMPONENTS SOLD SEPARATELY
											CAVITY WITH A NUMBER INDICATES BLOCKED TERMINAL POSITION																						DRESS COVER
											CAVITY WITHOUT A NUMBER INDICATES OPEN TERMINAL POSITION																						
MX123 CONN ASSY 73 CKT BLK OPT0 KEY A/30	345664373	C-HSG-A0	G-CAP-0-P	TPA-A0	RS	LS	MAL	CPA	MSEAL	RSEAL	72	71	-	-	68	67	66	65	64	-	62	61	60	59	-	57	-	55	-	53	SALEABLE		345650003
											-	-	50	-	48	-	46	45	-	-	-	-	-	39	38	37	-	35	-	33			
															-	31	30	29	-	27	-	25	24	23	22	21	20	-	-	-			
MX123 CONN ASSY 73 CKT BLK OPT0 KEY A/29	345664403	C-HSG-A0	G-CAP-0-P	TPA-A0	RS	LS	MAL	CPA	MSEAL	RSEAL	-	-	-	-	-	-	-	-	-	-	62	-	60	-	-	-	-	55	54	53	SALEABLE		345650003
											52	51	-	-	-	-	46	45	44	43	42	-	40	39	-	-	-	35	-	-			
															-	-	-	-	-	-	26	25	-	-	22	21	-	-	-	17			
MX123 CONN ASSY 73 CKT GRY OPT0 KEY B/34	345664413	C-HSG-B0	G-CAP-0-P	TPA-B0	RS	LS	MAL	CPA	MSEAL	RSEAL	72	71	70	69	68	67	66	65	64	-	62	61	60	-	-	-	-	54	-	SALEABLE		345650003	
											52	51	-	-	-	47	-	45	44	-	42	41	40	-	-	-	-	-	-				
															32	31	30	-	28	-	26	25	24	-	-	-	20	19	-				17
MX123 CONN ASSY 73 CKT BLU OPT9 KEY C/42	345664423	C-HSG-C9	G-CAP-9-P	TPA-C9	RS	LS	MAL	CPA	MSEAL	RSEAL	-	71	-	69	-	-	-	65	64	-	-	61	60	-	58	-	56	55	54	-	SALEABLE		345650003
											-	-	50	49	-	-	-	45	-	43	-	41	-	-	-	-	35	-	-				
															-	31	-	29	28	-	-	-	-	23	-	-	20	19	18	17			
MX123 CONN ASSY 73 CKT BLK OPT9 KEY A/40	345664433	C-HSG-A9	G-CAP-9-P	TPA-A9	RS	LS	MAL	CPA	MSEAL	RSEAL	72	71	-	-	68	67	66	65	64	-	-	-	-	59	-	-	-	-	-	SALEABLE		345650003	
											-	-	-	-	48	47	46	45	-	-	-	-	-	39	38	-	-	35	-				33
															-	31	30	-	-	-	-	25	24	23	22	21	20	-	-				17
MX123 CONN ASSY 73 CKT BLK OPT9 KEY A/32	345664443	C-HSG-A9	G-CAP-9-P	TPA-A9	RS	LS	MAL	CPA	MSEAL	RSEAL	72	71	70	69	68	-	-	65	64	63	62	61	60	59	58	57	56	55	54	53	SALEABLE		345650003
											52	51	50	49	-	-	46	45	44	43	42	-	40	39	38	37	36	35	34	33			
															-	-	-	-	28	-	-	-	24	23	-	-	20	-	-	-			
MX123 CONN ASSY 73 CKT BLK OPT0 KEY A/45	345664453	C-HSG-A0	G-CAP-0-P	TPA-A0	RS	LS	MAL	CPA	MSEAL	RSEAL	-	-	-	-	-	67	66	-	-	-	-	-	-	-	-	-	-	-	SALEABLE		345650003		
											-	-	-	-	-	47	-	-	-	-	-	41	-	-	-	-	-	-				-	
															32	31	30	29	-	27	26	25	-	-	22	21	-	19				18	17
MX123 CONN ASSY 73 CKT GRY OPT9 KEY B/18	345664463	C-HSG-B9	G-CAP-9-P	TPA-B9	RS	LS	MAL	CPA	MSEAL	RSEAL	72	71	70	69	68	67	66	65	64	-	62	61	60	59	58	57	56	55	54	-	SALEABLE		345650003
											52	51	50	49	-	-	46	-	44	-	41	40	-	38	37	36	-	-	-				
															32	31	30	29	28	27	-	25	24	-	-	21	20	-	18	17			
MX123 CONN ASSY 73 CKT GRY OPT0 KEY B/21	345664473	C-HSG-B0	G-CAP-0-P	TPA-B0	RS	LS	MAL	CPA	MSEAL	RSEAL	72	71	70	69	68	67	66	65	-	-	-	61	60	-	-	57	56	55	54	-	SALEABLE		345650003
											52	51	50	49	48	-	46	-	44	-	41	40	-	38	37	36	-	-	-				
															32	31	30	29	28	27	-	24	-	-	21	20	19	18	17				
MX123 CONN ASSY 73 CKT BLU OPT9 KEY C/54	345664483	C-HSG-C9	G-CAP-9-P	TPA-C9	RS	LS	MAL	CPA	MSEAL	RSEAL	-	71	-	69	-	-	-	65	64	-	-	61	60	-	-	-	-	54	-	SALEABLE		345650003	
											-	-	50	-	-	-	-	45	-	43	42	41	-	-	-	-	35	-	-				
															-	31	-	29	28	-	-	-	-	-	-	-	-	-	-				
MX123 CONN ASSY 73 CKT BLK OPT9 KEY A/58	345664493	C-HSG-A9	G-CAP-9-P	TPA-A9	RS	LS	MAL	CPA	MSEAL	RSEAL	-	-	-	-	68	-	66	65	-	-	-	-	-	-	-	-	-	-	SALEABLE		345650003		
											-	-	-	-	-	46	-	-	-	-	-	-	-	38	-	-	35	-				33	
															-	31	-	-	-	-	-	25	-	-	22	-	20	-				-	
MX123 CONN ASSY 73 CKT GRY OPT9 KEY B/56	345664513	C-HSG-B9	G-CAP-9-P	TPA-B9	RS	LS	MAL	CPA	MSEAL	RSEAL	-	-	-	69	-	-	-	65	64	63	-	-	-	-	-	-	-	-	SALEABLE		345650003		
											-	-	-	49	-	-	-	45	44	43	-	-	-	-	-	-	-	-				-	
															-	-	-	-	-	-	-	-	-	22	21	20	-	-				-	

ASSEMBLY DESCRIPTION	ASSEMBLY PART NUMBER	CONNECTOR HOUSING	GROMMET CAP	TPA	RIGHT SLIDE	LEFT SLIDE	MATE ASSIST LEVER	CPA	MAT SEAL	RING SEAL	BLOCKED TERMINALS																		STATUS	COMMENTS	INTEGRAL COMPONENTS SOLD SEPARATELY		
											CAVITY WITH A NUMBER INDICATES BLOCKED TERMINAL POSITION																				DRESS COVER		
											CAVITY WITHOUT A NUMBER INDICATES OPEN TERMINAL POSITION																						
MX123 CONN ASSY 73 CKT BLK OPT0 KEY A/38	345664533	C-HSG-A0	G-CAP-0-P	TPA-A0	RS	LS	MAL	CPA	MSEAL	RSEAL	-	71	70	-	68	-	66	-	64	-	62	61	-	59	58	-	-	55	54	-	SALEABLE		345650003
											52	51	50	-	48	-	46	45	-	-	42	41	-	39	38	-	-	-	34	-			
											-																		32	-			
MX123 CONN ASSY 73 CKT GRY OPT0 KEY B/27	345664543	C-HSG-B0	G-CAP-0-P	TPA-B0	RS	LS	MAL	CPA	MSEAL	RSEAL	72	71	70	69	-	-	66	65	-	-	62	61	60	59	-	-	56	-	54	-	SALEABLE		345650003
											52	51	50	49	48	47	-	-	44	-	42	41	40	39	-	-	36	-	34	33			
											-																		-	31			
MX123 CONN ASSY 73 CKT GRY OPT0 KEY B/23	345664553	C-HSG-B0	G-CAP-0-P	TPA-B0	RS	LS	MAL	CPA	MSEAL	RSEAL	72	71	70	69	-	-	66	65	-	-	62	61	60	59	-	-	56	55	54	-	SALEABLE		345650003
											52	51	50	49	48	47	-	-	44	-	42	41	40	39	-	-	36	35	34	33			
											-																		-	31			
MX123 CONN ASSY 73 CKT GRY OPT0 KEY B/24	345664563	C-HSG-B0	G-CAP-0-P	TPA-B0	RS	LS	MAL	CPA	MSEAL	RSEAL	72	71	70	69	-	-	66	65	-	-	62	61	60	59	-	57	56	-	54	-	SALEABLE		345650003
											52	51	50	49	48	47	-	-	44	-	42	41	40	39	-	37	36	-	34	33			
											-																		-	31			
MX123 CONN ASSY 73 CKT GRY OPT0 KEY B/20	345664573	C-HSG-B0	G-CAP-0-P	TPA-B0	RS	LS	MAL	CPA	MSEAL	RSEAL	72	71	70	69	-	-	66	65	-	-	62	61	60	59	-	57	56	55	54	-	SALEABLE		345650003
											52	51	50	49	48	47	-	-	44	-	42	41	40	39	-	37	36	35	34	33			
											-																		-	31			
MX123 CONN ASSY 73 CKT GRY OPT0 KEY B/19	345664583	C-HSG-B0	G-CAP-0-P	TPA-B0	RS	LS	MAL	CPA	MSEAL	RSEAL	72	71	70	69	-	-	66	65	-	63	62	61	60	59	-	57	56	55	54	-	SALEABLE		345650003
											52	51	50	49	48	47	-	-	44	43	42	41	40	39	-	37	36	35	34	33			
											-																		-	31			
MX123 CONN ASSY 73 CKT GRY OPT0 KEY B/18	345664593	C-HSG-B0	G-CAP-0-P	TPA-B0	RS	LS	MAL	CPA	MSEAL	RSEAL	72	71	70	69	-	-	66	65	-	63	62	61	60	59	-	57	56	55	54	-	SALEABLE		345650003
											52	51	50	49	48	47	-	-	44	43	42	41	40	39	-	37	36	35	34	33			
											-																		-	31			
MX123 CONN ASSY 73 CKT BLK OPT0 KEY A/42	345664613	C-HSG-A0	G-CAP-0-P	TPA-A0	RS	LS	MAL	CPA	MSEAL	RSEAL	-	71	70	-	68	-	-	-	64	-	62	61	-	59	58	-	-	55	54	-	SALEABLE		345650003
											52	51	50	-	48	-	46	45	-	-	-	41	-	39	38	-	-	-	34	-			
											-																		32	-			
MX123 CONN ASSY 73 CKT GRY OPT0 KEY B/36	345664623	C-HSG-B0	G-CAP-0-P	TPA-B0	RS	LS	MAL	CPA	MSEAL	RSEAL	-	71	-	69	-	67	-	65	64	63	62	61	-	-	58	57	56	-	-	-	SALEABLE		345650003
											-	51	-	49	-	47	-	45	44	43	42	41	-	-	38	37	36	-	-	-			
											-																		-	-			
MX123 CONN ASSY 73 CKT BLK OPT0 KEY A/39	345664633	C-HSG-A0	G-CAP-0-P	TPA-A0	RS	LS	MAL	CPA	MSEAL	RSEAL	72	-	-	-	68	67	66	65	-	-	62	61	-	-	57	-	-	-	-	SALEABLE		345650003	
											-	-	50	-	48	-	46	-	-	-	-	-	40	39	-	37	-	35	-				33
											-																		-				31
MX123 CONN ASSY 73 CKT GRY OPT0 KEY B/38	345664643	C-HSG-B0	G-CAP-0-P	TPA-B0	RS	LS	MAL	CPA	MSEAL	RSEAL	-	71	-	69	-	67	-	65	64	63	62	61	-	-	58	57	56	-	-	-	SALEABLE		345650003
											-	51	-	49	-	47	-	45	44	43	42	41	-	-	38	37	36	-	-	-			
											-																		-	-			
MX123 CONN ASSY 73 CKT BLK OPT0 KEY A/37	345664653	C-HSG-A0	G-CAP-0-P	TPA-A0	RS	LS	MAL	CPA	MSEAL	RSEAL	72	-	-	-	68	-	66	65	-	-	62	61	-	-	58	57	-	-	-	SALEABLE		345650003	
											-	-	50	-	48	-	46	-	-	-	-	-	40	39	-	37	-	35	-				33
											-																		-				31

ASSEMBLY DESCRIPTION	ASSEMBLY PART NUMBER	CONNECTOR HOUSING	GROMMET CAP	TPA	RIGHT SLIDE	LEFT SLIDE	MATE ASSIST LEVER	CPA	MAT SEAL	RING SEAL	BLOCKED TERMINALS																STATUS	COMMENTS	INTEGRAL COMPONENTS SOLD SEPARATELY	
											CAVITY WITH A NUMBER INDICATES BLOCKED TERMINAL POSITION																		DRESS COVER	
											CAVITY WITHOUT A NUMBER INDICATES OPEN TERMINAL POSITION																			
MX123 CONN ASSY 73 CKT BLK OPT0 KEY A/36	345664663	C-HSG-A0	G-CAP-0-P	TPA-A0	RS	LS	MAL	CPA	MSEAL	RSEAL	72	-	-	-	68	67	66	65	-	-	62	61	-	-	-	57	-	-	-	-
											-	-	50	-	48	-	46	-	-	-	-	-	40	39	-	37	-	35	-	33
											-																			
MX123 CONN ASSY 73 CKT BLK OPT0 KEY A/29	345664673	C-HSG-A0	G-CAP-0-P	TPA-A0	RS	LS	MAL	CPA	MSEAL	RSEAL	72	71	70	69	68	-	-	65	64	63	62	61	60	59	58	57	56	55	54	53
											52	51	50	49	48	-	46	45	44	43	42	-	40	39	38	37	36	35	34	33
											-																			
MX123 CONN ASSY 73 CKT GRY OPT9 KEY B/56	345664683	C-HSG-B9	G-CAP-9-P	TPA-B9	RS	LS	MAL	CPA	MSEAL	RSEAL	-	-	-	-	-	-	-	-	-	63	-	-	-	-	-	-	-	-	53	
											-	-	-	-	48	47	-	45	-	43	42	-	-	39	-	-	-	35	34	33
											-																			
MX123 CONN ASSY 73 CKT GRY OPT0 KEY B/53	345664693	C-HSG-B0	G-CAP-0-P	TPA-B0	RS	LS	MAL	CPA	MSEAL	RSEAL	-	-	-	-	-	-	-	64	63	62	-	-	59	58	-	-	-	-	53	
											-	-	-	-	-	47	-	45	-	43	42	-	-	39	-	-	-	35	34	33
											-																			
MX123 CONN ASSY 73 CKT GRY OPT0 KEY B/48	345664703	C-HSG-B0	G-CAP-0-P	TPA-B0	RS	LS	MAL	CPA	MSEAL	RSEAL	72	71	70	69	68	-	-	-	-	63	62	61	60	-	-	-	56	-	54	-
											52	51	50	-	-	-	46	45	-	43	42	41	40	-	-	-	36	-	34	-
											-																			
MX123 CONN ASSY 73 CKT BLK OPT0 KEY A/37	345664713	C-HSG-A0	G-CAP-0-P	TPA-A0	RS	LS	MAL	CPA	MSEAL	RSEAL	-	-	-	-	68	-	66	65	-	-	62	61	-	-	58	57	-	-	-	-
											-	-	50	-	48	-	46	-	-	-	-	-	40	39	38	37	-	35	-	33
											-																			
MX123 CONN ASSY 73 CKT BLK OPT0 KEY A/36	345664723	C-HSG-A0	G-CAP-0-P	TPA-A0	RS	LS	MAL	CPA	MSEAL	RSEAL	-	-	-	-	68	67	66	65	-	-	62	61	-	-	-	57	-	-	-	-
											-	-	50	-	48	-	46	-	-	-	-	-	40	39	38	37	-	35	-	33
											-																			
MX123 CONN ASSY 73 CKT BLK OPT0 KEY A/39	345664733	C-HSG-A0	G-CAP-0-P	TPA-A0	RS	LS	MAL	CPA	MSEAL	RSEAL	-	-	-	-	68	67	66	65	-	-	62	61	-	-	-	57	-	-	-	-
											-	-	50	-	48	-	46	-	-	-	-	-	40	39	38	37	-	35	-	33
											-																			
MX123 CONN ASSY 73 CKT BLK OPT9 KEY A/59	345664743	C-HSG-A9	G-CAP-9-P	TPA-A9	RS	LS	MAL	CPA	MSEAL	RSEAL	-	-	-	-	68	-	66	-	-	-	-	-	-	-	-	-	-	-	-	
											-	-	-	-	-	-	46	-	-	-	-	-	-	38	-	-	35	-	33	
											-																			
MX123 CONN ASSY 73 CKT GRY OPT0 KEY B/20	345664753	C-HSG-B0	G-CAP-0-P	TPA-B0	RS	LS	MAL	CPA	MSEAL	RSEAL	72	71	70	69	-	-	66	65	-	63	62	61	60	59	-	57	56	55	54	53
											52	51	50	49	48	47	-	-	44	43	42	41	40	39	-	37	36	35	34	33
											-																			
MX123 CONN ASSY 73 CKT GRY OPT0 KEY B/16	345664763	C-HSG-B0	G-CAP-0-P	TPA-B0	RS	LS	MAL	CPA	MSEAL	RSEAL	72	71	70	69	-	-	66	65	-	63	62	61	60	59	58	57	56	55	54	53
											52	51	50	49	48	47	-	-	44	43	42	41	40	39	38	37	36	35	34	33
											-																			
MX123 CONN ASSY 73 CKT GRY OPT0 KEY B/25	345664773	C-HSG-B0	G-CAP-0-P	TPA-B0	RS	LS	MAL	CPA	MSEAL	RSEAL	72	71	70	69	-	-	66	65	-	63	62	61	60	-	-	57	56	55	-	53
											52	51	50	49	48	47	-	-	44	43	42	41	40	-	-	37	36	35	34	33
											-																			

ASSEMBLY DESCRIPTION	ASSEMBLY PART NUMBER	CONNECTOR HOUSING	GROMMET CAP	TPA	RIGHT SLIDE	LEFT SLIDE	MATE ASSIST LEVER	CPA	MAT SEAL	RING SEAL	BLOCKED TERMINALS																				STATUS	COMMENTS	INTEGRAL COMPONENTS SOLD SEPARATELY
											CAVITY WITH A NUMBER INDICATES BLOCKED TERMINAL POSITION																						DRESS COVER
											CAVITY WITHOUT A NUMBER INDICATES OPEN TERMINAL POSITION																						
MX123 CONN ASSY 73 CKT GRY OPT0 KEY B/25	345664783	C-HSG-B0	G-CAP-0-P	TPA-B0	RS	LS	MAL	CPA	MSEAL	RSEAL	72	71	70	69	-	-	66	65	-	-	62	61	60	59	-	57	56	-	54	53	SALEABLE		345650003
											52	51	50	49	48	47	-	-	44	-	42	41	40	39	-	37	36	-	34	33			
															-	31	-	-	-	-	26	25	24	23	-	21	20	-	18	-			
											16	-	14	-	12	11	-	9	8	7	-	5	4	3	2	-							
MX123 CONN ASSY 73 CKT GRY OPT0 KEY B/21	345664793	C-HSG-B0	G-CAP-0-P	TPA-B0	RS	LS	MAL	CPA	MSEAL	RSEAL	72	71	70	69	-	-	66	65	-	-	62	61	60	59	-	57	56	55	54	53	SALEABLE		345650003
											52	51	50	49	48	47	-	-	44	-	42	41	40	39	-	37	36	35	34	33			
															-	31	-	-	-	-	26	25	24	23	-	21	20	19	18	-			
											16	-	14	-	12	11	-	9	8	7	-	5	4	3	2	1							
MX123 CONN ASSY 73 CKT BLK OPT0 KEY A/38	345664803	C-HSG-A0	G-CAP-0-P	TPA-A0	RS	LS	MAL	CPA	MSEAL	RSEAL	-	-	70	-	-	-	-	65	-	-	-	-	60	-	58	57	56	55	54	-	SALEABLE		345650003
											52	51	50	49	-	47	46	45	-	43	-	-	40	-	38	37	36	-	34	-			
															-	31	30	-	28	-	26	-	24	-	22	21	20	19	18	-			
											16	15	14	-	-	-	10	-	-	7	6	-	-	-	-	-							
MX123 CONN ASSY 73 CKT GRY OPT9 KEY B/26	345664813	C-HSG-B9	G-CAP-9-P	TPA-B9	RS	LS	MAL	CPA	MSEAL	RSEAL	72	71	70	69	-	-	66	65	-	63	62	61	60	-	-	57	56	55	-	53	SALEABLE		345650003
											52	51	50	49	48	47	-	-	44	43	42	41	40	-	-	37	36	35	34	33			
															-	31	-	-	-	-	26	25	24	-	-	21	20	19	18	-			
											16	-	14	-	12	11	-	-	-	7	-	5	4	3	2	-							
MX123 CONN ASSY 73 CKT BLU OPT0 KEY C/46	345664823	C-HSG-C0	G-CAP-0-P	TPA-C0	RS	LS	MAL	CPA	MSEAL	RSEAL	72	71	70	69	-	-	-	-	-	63	62	61	60	-	-	-	56	-	-	-	SALEABLE		345650003
											52	-	-	-	-	47	-	-	44	-	-	-	-	-	-	36	-	34	-				
															-	-	-	29	28	27	-	25	-	-	-	21	-	19	18	17			
											-	15	14	-	12	11	-	-	-	-	-	-	-	-	-	-	1						
MX123 CONN ASSY 73 CKT BLU OPT0 KEY C/41	345664833	C-HSG-C0	G-CAP-0-P	TPA-C0	RS	LS	MAL	CPA	MSEAL	RSEAL	-	71	-	69	-	-	-	65	64	-	-	61	60	-	58	-	56	55	54	-	SALEABLE		345650003
											-	-	50	49	-	-	-	45	-	43	-	41	-	-	38	-	-	35	-	-			
															-	31	-	29	28	-	-	-	-	23	-	-	20	19	18	17			
											16	-	-	13	12	11	-	-	-	7	-	-	-	3	-	1							
MX123 CONN ASSY 73 CKT BLU OPT0 KEY C/42	345664843	C-HSG-C0	G-CAP-0-P	TPA-C0	RS	LS	MAL	CPA	MSEAL	RSEAL	-	71	-	69	-	-	-	65	64	-	-	61	60	-	58	-	56	55	54	-	SALEABLE		345650003
											-	-	50	49	-	-	-	45	-	43	-	41	-	-	-	-	35	-	-				
															-	31	-	29	28	-	-	-	-	23	-	-	20	19	18	17			
											16	-	-	13	12	11	-	-	-	7	-	-	-	3	-	1							
MX123 CONN ASSY 73 CKT BLU OPT0 KEY C/45	345664853	C-HSG-C0	G-CAP-0-P	TPA-C0	RS	LS	MAL	CPA	MSEAL	RSEAL	-	71	-	69	-	67	-	65	64	-	-	61	60	-	58	-	-	54	-	SALEABLE		345650003	
											-	-	50	49	-	-	-	45	-	43	-	41	-	-	38	-	-	35	-				-
															-	31	-	29	28	-	-	-	-	23	-	-	20	-	-				17
											16	-	-	13	12	11	-	-	-	7	-	-	-	3	-	1							
MX123 CONN ASSY 73 CKT BLU OPT0 KEY C/41	345664863	C-HSG-C0	G-CAP-0-P	TPA-C0	RS	LS	MAL	CPA	MSEAL	RSEAL	-	71	-	69	-	67	-	65	64	-	-	61	60	-	58	-	56	55	54	-	SALEABLE		345650003
											-	-	50	49	-	-	-	45	-	43	-	41	-	-	-	-	35	-	-				
															-	31	-	29	28	-	-	-	-	23	-	-	20	19	18	17			
											16	-	-	13	12	11	-	-	-	7	-	-	-	3	-	1							
MX123 CONN ASSY 73 CKT BLU OPT0 KEY C/40	345664873	C-HSG-C0	G-CAP-0-P	TPA-C0	RS	LS	MAL	CPA	MSEAL	RSEAL	-	71	-	69	-	67	-	65	64	-	-	61	60	-	58	-	56	55	54	-	SALEABLE		345650003
											-	-	50	49	-	-	-	45	-	43	-	41	-	-	38	-	-	35	-	-			
															-	31	-	29	28	-	-	-	-	23	-	-	20	19	18	17			
											16	-	-	13	12	11	-	-	-	7	-	-	-	3	-	1							
MX123 CONN ASSY 73 CKT BLK OPT9 KEY A/39	345664883	C-HSG-A9	G-CAP-9-P	TPA-A9	RS	LS	MAL	CPA	MSEAL	RSEAL	-	71	70	-	68	-	66	-	64	-	62	61	-	59	58	-	-	55	54	-	SALEABLE		345650003
											52	51	50	-	48	-	-	45	-	-	42	41	-	39	38	-	-	-	34	-			
															32	-	-	-	-	27	26	25	-	23	22	-	-	19	18	-			
											-	-	-	-	12	-	-	9	8	7	6	-	-	-	-	-							
MX123 CONN ASSY 73 CKT GRY OPT9 KEY B/24	345664893	C-HSG-B9	G-CAP-9-P	TPA-B9	RS	LS	MAL	CPA	MSEAL	RSEAL	72	71	70	69	-	-	66	65	-	-	62	61	60	59	-	57	56	-	54	53	SALEABLE		345650003
											52	51	50	49	48	47	-	-	44	-	42	41	40	39	-	37	36	-	34	33			
															-	31	-	-	-	-	26	25	24	23	-	21	20	-	18	-			
											16	-	14	-	12	11	-	9	8	7	6	5	4	3	2	-							

ASSEMBLY DESCRIPTION	ASSEMBLY PART NUMBER	CONNECTOR HOUSING	GROMMET CAP	TPA	RIGHT SLIDE	LEFT SLIDE	MATE ASSIST LEVER	CPA	MAT SEAL	RING SEAL	BLOCKED TERMINALS																		STATUS	COMMENTS	INTEGRAL COMPONENTS SOLD SEPARATELY															
											CAVITY WITH A NUMBER INDICATES BLOCKED TERMINAL POSITION																				DRESS COVER															
											CAVITY WITHOUT A NUMBER INDICATES OPEN TERMINAL POSITION																																			
MX123 CONN ASSY 73 CKT BLK OPT9 KEY A/37	345665163	C-HSG-A9	G-CAP-9-P	TPA-A9	RS	LS	MAL	CPA	MSEAL	RSEAL	-	71	70	-	68	-	66	-	64	-	62	61	-	59	58	-	-	55	54	-	SALEABLE		345650003													
											52	51	50	-	48	-	46	45	-	-	42	41	-	39	38	-	-	-	34	-																
											-																		32	-				-	-	-	27	26	25	-	23	22	-	-	19	18
MX123 CONN ASSY 73 CKT GRY OPT9 KEY B/23	345665173	C-HSG-B9	G-CAP-9-P	TPA-B9	RS	LS	MAL	CPA	MSEAL	RSEAL	72	71	70	69	-	-	66	65	-	-	62	61	60	-	58	-	56	55	54	53	SALEABLE		345650003													
											52	51	50	49	48	47	-	-	44	-	42	41	40	-	38	-	36	35	34	33																
											-																		31	-				-	-	-	26	25	24	23	22	-	20	19	18	17
MX123 CONN ASSY 73 CKT GRY OPT0 KEY B/24	345665183	C-HSG-B0	G-CAP-0-P	TPA-B0	RS	LS	MAL	CPA	MSEAL	RSEAL	72	71	70	69	-	-	66	65	-	63	62	61	60	-	-	57	56	55	-	53	SALEABLE		345650003													
											52	51	50	49	48	47	-	-	-	43	42	41	40	-	-	37	36	35	34	33																
											-																		31	-				-	-	-	26	25	24	-	-	21	20	19	18	-
MX123 CONN ASSY 73 CKT BLK OPT0 KEY A/40	345665193	C-HSG-A0	G-CAP-0-P	TPA-A0	RS	LS	MAL	CPA	MSEAL	RSEAL	72	71	-	-	68	67	66	65	64	-	-	-	-	59	-	-	-	-	-	SALEABLE		345650003														
											-	-	50	-	48	47	46	45	-	-	-	-	40	39	38	-	-	35	-				33													
											-																		31				30	-	-	-	25	24	23	22	21	20	-	-	-	-
MX123 CONN ASSY 73 CKT BLK OPT0 KEY A/15	345665203	C-HSG-A0	G-CAP-0-P	TPA-A0	RS	LS	MAL	CPA	MSEAL	RSEAL	-	-	70	-	-	-	-	65	-	-	-	61	60	-	-	-	-	55	-	-	SALEABLE		345650003													
											-	-	-	-	-	-	-	45	-	-	-	41	40	-	-	-	-	-	-	-																
											-																		28	26				25	-	-	-	-	-	18	-					
MX123 CONN ASSY 73 CKT BLK OPT0 KEY A/51	345665213	C-HSG-A0	G-CAP-0-P	TPA-A0	RS	LS	MAL	CPA	MSEAL	RSEAL	-	-	-	-	-	-	-	-	-	-	-	61	-	-	58	57	56	-	-	-	SALEABLE		345650003													
											-	51	50	-	-	47	46	45	-	-	-	-	-	-	38	37	36	-	-	-																
											-																		31	30				-	28	-	26	-	-	-	22	21	20	-	-	-
MX123 CONN ASSY 73 CKT BLU OPT0 KEY C/34	345665223	C-HSG-C0	G-CAP-0-P	TPA-C0	RS	LS	MAL	CPA	MSEAL	RSEAL	-	71	-	69	68	-	-	65	64	-	-	61	60	-	58	-	56	55	54	-	SALEABLE		345650003													
											-	-	50	49	-	47	-	45	-	43	-	41	-	-	38	37	36	35	-	-																
											-																		31	-				29	28	-	-	24	23	-	-	20	19	18	17	
MX123 CONN ASSY 73 CKT BLU OPT0 KEY C/41	345665233	C-HSG-C0	G-CAP-0-P	TPA-C0	RS	LS	MAL	CPA	MSEAL	RSEAL	-	71	-	69	-	-	-	65	64	-	-	61	60	-	58	-	-	-	54	-	SALEABLE		345650003													
											-	-	50	49	-	-	-	45	-	43	-	41	-	-	37	36	35	-	-	-																
											-																		31	-				29	28	27	-	24	23	-	-	20	-	-	17	
MX123 CONN ASSY 73 CKT BLU OPT0 KEY C/60	345665243	C-HSG-C0	G-CAP-0-P	TPA-C0	RS	LS	MAL	CPA	MSEAL	RSEAL	52	-	-	-	-	47	-	-	-	-	-	-	-	-	37	-	-	-	-	SALEABLE		345650003														
											-																		32				-	-	-	-	-	-	24	23	-	-	-	-	-	-
											-																		13				12	11	10	-	8	-	-	-	-	-	-	-	-	-
MX123 CONN ASSY 73 CKT GRY OPT0 KEY B/39	345665253	C-HSG-B0	G-CAP-0-P	TPA-B0	RS	LS	MAL	CPA	MSEAL	RSEAL	72	71	70	69	68	-	-	65	64	-	62	61	60	-	-	-	-	54	-	SALEABLE		345650003														
											52	51	-	-	-	47	-	-	44	-	42	41	40	-	-	-	-	-	-				-													
											-																		32				31	30	-	28	-	26	25	24	-	-	-	20	19	-
MX123 CONN ASSY 73 CKT GRY OPT0 KEY B/50	345665263	C-HSG-B0	G-CAP-0-P	TPA-B0	RS	LS	MAL	CPA	MSEAL	RSEAL	-	-	-	69	-	-	-	65	64	63	-	-	-	-	-	-	-	-	SALEABLE		345650003															
											-	-	-	49	-	-	-	45	44	43	-	-	-	-	-	-	-	-				-	-													
											-																					26	-	-	23	22	21	20	19	18	-					
MX123 CONN ASSY 73 CKT BLK OPT0 KEY A/40	345665273	C-HSG-A0	G-CAP-0-P	TPA-A0	RS	LS	MAL	CPA	MSEAL	RSEAL	72	71	-	-	68	67	66	65	64	-	-	-	-	59	-	-	-	-	-	SALEABLE		345650003														
											-	-	50	-	48	47	46	45	-	-	-	-	40	39	38	-	-	35	-				33													
											-																		31				30	-	-	-	25	24	-	22	21	20	-	-	17	

ASSEMBLY DESCRIPTION	ASSEMBLY PART NUMBER	CONNECTOR HOUSING	GROMMET CAP	TPA	RIGHT SLIDE	LEFT SLIDE	MATE ASSIST LEVER	CPA	MAT SEAL	RING SEAL	BLOCKED TERMINALS																STATUS	COMMENTS	INTEGRAL COMPONENTS SOLD SEPARATELY				
											CAVITY WITH A NUMBER INDICATES BLOCKED TERMINAL POSITION																		DRESS COVER				
											CAVITY WITHOUT A NUMBER INDICATES OPEN TERMINAL POSITION																						
MX123 CONN ASSY 73 CKT BLK OPT0 KEY A/31	345665413	C-HSG-A0	G-CAP-0-P	TPA-A0	RS	LS	MAL	CPA	MSEAL	RSEAL	72	71	-	-	68	67	66	65	64	-	62	61	60	59	58	57	-	-	-	-	SALEABLE		345650003
											-	-	50	-	48	47	46	45	-	-	-	-	40	39	38	37	-	35	-	33			
											-	-	-	-	31	30	29	-	27	-	25	24	-	22	-	20	-	-	17				
											-	-	-	-	-	14	13	-	11	-	9	-	7	6	-	4	-	2	1				
MX123 CONN ASSY 73 CKT BLK OPT0 KEY A/27	345665423	C-HSG-A0	G-CAP-0-P	TPA-A0	RS	LS	MAL	CPA	MSEAL	RSEAL	72	71	-	-	68	67	66	65	64	-	62	61	60	59	-	57	-	-	-	-	SALEABLE		345650003
											-	-	50	-	48	47	46	45	-	-	-	-	40	39	38	37	-	35	-	33			
											-	-	-	-	31	30	29	-	27	-	25	24	23	22	21	20	-	-	17				
											-	-	-	-	-	15	14	13	-	11	-	9	8	7	6	5	4	-	2	1			
MX123 CONN ASSY 73 CKT GRY OPT9 KEY B/22	345665433	C-HSG-B9	G-CAP-9-P	TPA-B9	RS	LS	MAL	CPA	MSEAL	RSEAL	72	71	70	69	-	-	66	65	-	63	62	61	60	-	-	57	56	55	-	53	SALEABLE		345650003
											52	51	50	49	48	47	-	-	44	43	42	41	40	-	-	37	36	35	34	33			
											-	-	-	-	31	-	-	-	-	-	26	25	24	-	-	21	20	19	18	-			
											-	-	-	-	16	15	14	13	12	11	-	9	8	7	-	5	4	3	2	-			
MX123 CONN ASSY 73 CKT GRY OPT9 KEY B/24	345665443	C-HSG-B9	G-CAP-9-P	TPA-B9	RS	LS	MAL	CPA	MSEAL	RSEAL	72	71	70	69	-	-	66	65	-	63	62	61	60	-	-	57	56	55	-	53	SALEABLE		345650003
											52	51	50	49	48	47	-	-	44	43	42	41	40	-	-	37	36	35	34	33			
											-	-	-	-	31	-	-	-	-	-	26	25	24	-	-	21	20	19	18	-			
											-	-	-	-	16	-	14	-	12	11	-	9	8	7	-	5	4	3	2	-			
MX123 CONN ASSY 73 CKT GRY OPT0 KEY B/24	345665453	C-HSG-B0	G-CAP-0-P	TPA-B0	RS	LS	MAL	CPA	MSEAL	RSEAL	72	71	70	69	-	-	66	65	-	63	62	61	60	-	-	57	56	55	-	53	SALEABLE		345650003
											52	51	50	49	48	47	-	-	44	43	42	41	40	-	-	37	36	35	34	33			
											-	-	-	-	31	-	-	-	-	-	26	25	24	-	-	21	20	19	18	-			
											-	-	-	-	16	-	14	-	12	11	-	9	8	7	-	5	4	3	2	-			
MX123 CONN ASSY 73 CKT BLK OPT0 KEY A/21	345665463	C-HSG-A0	G-CAP-0-P	TPA-A0	RS	LS	MAL	CPA	MSEAL	RSEAL	-	71	-	69	68	67	66	65	64	-	62	61	60	59	58	57	56	55	54	53	SALEABLE		345650003
											-	51	50	-	48	47	46	45	44	43	42	-	40	39	38	37	36	35	34	33			
											-	-	-	-	32	-	-	29	-	-	-	25	24	-	22	21	-	-	18	17			
											-	-	-	-	-	-	-	13	-	11	-	9	8	7	-	5	4	3	2	1			
MX123 CONN ASSY 73 CKT BLK OPT0 KEY A/45	345665473	C-HSG-A0	G-CAP-0-P	TPA-A0	RS	LS	MAL	CPA	MSEAL	RSEAL	-	-	-	69	-	-	-	-	-	-	-	61	-	-	58	57	-	55	54	-	SALEABLE		345650003
											-	-	50	49	-	-	-	-	-	-	-	-	-	39	38	37	36	35	34	33			
											-	-	-	-	32	-	-	-	-	-	-	-	-	-	22	21	-	-	18	-			
											-	-	-	-	-	-	-	13	-	-	-	9	8	7	-	5	4	3	2	1			
MX123 CONN ASSY 73 CKT GRY OPT0 KEY B/39	345665483	C-HSG-B0	G-CAP-0-P	TPA-B0	RS	LS	MAL	CPA	MSEAL	RSEAL	-	71	-	69	-	67	-	65	-	-	62	61	-	-	58	57	56	-	-	-	SALEABLE		345650003
											-	51	-	49	-	47	-	45	44	43	42	41	-	-	38	37	36	-	-	-			
											-	-	-	-	-	-	-	-	-	-	-	-	-	23	22	21	-	19	18	-			
											-	-	-	-	-	15	14	13	12	11	-	9	-	7	6	-	-	3	-	-			
MX123 CONN ASSY 73 CKT BLK OPT0 KEY A/37	345665493	C-HSG-A0	G-CAP-0-P	TPA-A0	RS	LS	MAL	CPA	MSEAL	RSEAL	-	71	-	-	68	67	66	65	64	-	62	61	-	-	-	-	-	-	-	-	SALEABLE		345650003
											-	-	50	-	48	47	46	45	-	-	-	-	-	39	38	-	-	35	-	33			
											-	-	-	-	31	30	29	-	27	-	25	24	23	22	21	20	-	-	-				
											-	-	-	-	-	14	13	-	11	-	9	8	7	6	5	4	-	-	-				
MX123 CONN ASSY 73 CKT BLK OPT0 KEY A/30	345665503	C-HSG-A0	G-CAP-0-P	TPA-A0	RS	LS	MAL	CPA	MSEAL	RSEAL	-	-	70	-	-	-	-	65	-	-	-	61	-	-	58	57	56	55	54	53	SALEABLE		345650003
											-	51	50	-	-	47	-	45	-	-	-	41	-	-	38	37	36	-	34	-			
											-	-	-	-	31	30	-	28	-	-	-	25	-	-	22	21	20	19	18	-			
											-	-	-	-	16	15	-	-	-	-	-	-	-	-	-	-	-	-	-	-			
MX123 CONN ASSY 73 CKT GRY OPT9 KEY B/22	345665513	C-HSG-B9	G-CAP-9-P	TPA-B9	RS	LS	MAL	CPA	MSEAL	RSEAL	72	71	70	69	-	-	66	65	-	-	62	61	60	59	-	57	56	-	54	53	SALEABLE		345650003
											52	51	50	49	48	47	-	-	44	-	42	41	40	39	-	37	36	-	34	33			
											-	-	-	-	31	-	-	-	-	-	26	25	24	23	-	21	20	-	18	-			
											-	-	-	-	16	15	14	13	12	11	-	9	8	7	6	5	4	3	2	-			
MX123 CONN ASSY 73 CKT BLK OPT9 KEY A/42	345665523	C-HSG-A9	G-CAP-9-P	TPA-A9	RS	LS	MAL	CPA	MSEAL	RSEAL	-	71	70	-	68	-	-	-	64	-	62	61	-	59	58	-	-	55	54	-	SALEABLE		345650003
											52	51	50	-	48	-	46	45	-	-	-	41	-	39	38	-	-	-	34	-			
											-	-	-	-	32	-	-	-	-	-	-	25	-	23	22	-	-	19	18	-			
											-	-	-	-	-	-	-	12	-	-	-	9	8	7	6	-	-	-	-	-			

ASSEMBLY DESCRIPTION	ASSEMBLY PART NUMBER	CONNECTOR HOUSING	GROMMET CAP	TPA	RIGHT SLIDE	LEFT SLIDE	MATE ASSIST LEVER	CPA	MAT SEAL	RING SEAL	BLOCKED TERMINALS																				STATUS	COMMENTS	INTEGRAL COMPONENTS SOLD SEPARATELY
											CAVITY WITH A NUMBER INDICATES BLOCKED TERMINAL POSITION																						DRESS COVER
											CAVITY WITHOUT A NUMBER INDICATES OPEN TERMINAL POSITION																						
MX123 CONN ASSY 73 CKT GRY OPT9 KEY B/24	345665533	C-HSG-B9	G-CAP-9-P	TPA-B9	RS	LS	MAL	CPA	MSEAL	RSEAL	72	71	70	69	-	-	66	65	-	63	62	61	60	-	-	57	56	55	-	53	SALEABLE		345650003
											52	51	50	49	48	47	-	-	44	43	42	41	40	-	-	37	36	35	34	33			
															-	31	-	-	-	-	26	25	24	-	-	21	20	19	18	-			
															16	15	14	13	12	11	-	-	-	7	-	5	4	3	2	-			
MX123 CONN ASSY 73 CKT BLK OPT9 KEY A/24	345665543	C-HSG-A9	G-CAP-9-P	TPA-A9	RS	LS	MAL	CPA	MSEAL	RSEAL	72	71	70	69	-	-	66	65	-	63	62	61	60	-	-	57	56	55	-	53	SALEABLE		345650003
											52	51	50	49	48	47	-	-	44	43	42	41	40	-	-	37	36	35	34	33			
															-	31	-	-	-	-	26	25	24	-	-	21	20	19	18	-			
															16	15	14	13	-	11	-	9	-	7	-	5	4	3	2	-			
MX123 CONN ASSY 73 CKT GRY OPT9 KEY B/24	345665553	C-HSG-B9	G-CAP-9-P	TPA-B9	RS	LS	MAL	CPA	MSEAL	RSEAL	72	71	70	69	-	-	66	65	-	63	62	61	60	-	-	57	56	55	-	53	SALEABLE		345650003
											52	51	50	49	48	47	-	-	44	43	42	41	40	-	-	37	36	35	34	33			
															-	31	-	-	-	-	26	25	24	-	-	21	20	19	18	-			
															16	15	14	13	-	11	-	9	-	7	-	5	4	3	2	-			
MX123 CONN ASSY 73 CKT BLK OPT0 KEY A/43	345665563	C-HSG-A0	G-CAP-0-P	TPA-A0	RS	LS	MAL	CPA	MSEAL	RSEAL	-	-	-	-	68	67	66	65	-	-	62	61	-	-	-	-	-	-	-	SALEABLE		345650003	
											-	-	50	-	-	-	46	-	-	-	-	40	39	38	-	-	35	-	-				
															-	31	-	29	-	27	-	25	24	23	22	21	20	-	-				-
															-	-	14	13	-	11	-	9	8	7	6	5	4	-	-				-
MX123 CONN ASSY 73 CKT BLU OPT0 KEY C/52	345665573	C-HSG-C0	G-CAP-0-P	TPA-C0	RS	LS	MAL	CPA	MSEAL	RSEAL	-	71	-	69	-	67	-	65	64	-	-	61	60	-	-	-	-	54	-	SALEABLE		345650003	
											-	-	50	-	-	-	45	-	43	-	41	-	-	-	-	35	-	-					
															-	31	-	29	28	27	-	-	-	-	-	-	-	-	-				
															16	-	-	-	12	11	-	-	-	-	-	-	3	-	-				
MX123 CONN ASSY 73 CKT GRY OPT0 KEY B/41	345665583	C-HSG-B0	G-CAP-0-P	TPA-B0	RS	LS	MAL	CPA	MSEAL	RSEAL	-	71	-	69	-	67	-	65	-	-	62	61	-	-	58	57	56	-	-	SALEABLE		345650003	
											-	51	-	49	-	47	-	45	44	43	42	41	-	-	38	37	36	-	-				
															-	-	-	-	-	-	-	-	-	22	21	-	19	18	-				
															-	15	14	13	12	11	-	9	-	-	6	-	-	3	-				-
MX123 CONN ASSY 73 CKT BLU OPT0 KEY C/37	345665593	C-HSG-C0	G-CAP-0-P	TPA-C0	RS	LS	MAL	CPA	MSEAL	RSEAL	-	71	-	69	-	67	-	65	64	-	-	61	60	-	58	-	56	-	54	-	SALEABLE		345650003
											-	-	50	49	-	-	45	-	43	-	41	-	-	38	37	36	35	-	-				
															-	31	-	29	28	27	-	-	24	-	-	20	19	18	17				
															16	-	-	13	12	11	-	-	8	-	-	-	3	2	1				
MX123 CONN ASSY 73 CKT BLK OPT0 KEY A/33	345665603	C-HSG-A0	G-CAP-0-P	TPA-A0	RS	LS	MAL	CPA	MSEAL	RSEAL	-	-	70	-	-	-	-	65	-	-	-	61	60	-	58	57	-	55	54	-	SALEABLE		345650003
											52	51	-	49	-	47	-	45	-	-	41	40	-	38	37	-	-	34	-				
															-	31	-	-	28	-	26	25	24	-	22	21	-	19	18	-			
															16	15	-	-	-	-	10	-	-	7	6	-	-	-	-	-			
MX123 CONN ASSY 73 CKT BLU OPT0 KEY C/43	345665613	C-HSG-C0	G-CAP-0-P	TPA-C0	RS	LS	MAL	CPA	MSEAL	RSEAL	-	71	-	69	-	67	66	65	64	-	-	61	60	-	-	-	56	55	54	-	SALEABLE		345650003
											-	-	50	49	-	-	46	45	-	43	-	41	-	-	38	-	-	35	-				
															-	31	-	29	28	-	-	-	-	-	-	-	19	18	-				
															16	-	-	-	12	11	10	9	-	-	-	-	3	-	-				
MX123 CONN ASSY 73 CKT BLU OPT0 KEY C/40	345665623	C-HSG-C0	G-CAP-0-P	TPA-C0	RS	LS	MAL	CPA	MSEAL	RSEAL	-	71	-	69	-	67	66	65	64	-	-	61	60	-	58	-	56	55	54	-	SALEABLE		345650003
											-	-	50	49	-	-	46	45	-	43	-	41	-	-	38	-	-	35	-				
															-	31	-	29	28	-	-	-	-	-	-	-	19	18	17				
															16	-	-	-	12	11	10	9	-	-	-	-	3	-	1				
MX123 CONN ASSY 73 CKT GRY OPT0 KEY B/19	345665633	C-HSG-B0	G-CAP-0-P	TPA-B0	RS	LS	MAL	CPA	MSEAL	RSEAL	-	71	70	69	68	67	66	65	64	63	-	-	60	59	58	57	56	55	54	53	SALEABLE		345650003
											-	51	50	49	-	47	-	45	-	-	42	-	-	39	38	37	36	35	34	33			
															32	31	-	29	28	27	26	25	24	23	22	21	-	-	-	17			
															-	-	-	13	12	11	10	9	8	7	6	5	-	3	2	1			
MX123 CONN ASSY 73 CKT GRY OPT0 KEY B/18	345665643	C-HSG-B0	G-CAP-0-P	TPA-B0	RS	LS	MAL	CPA	MSEAL	RSEAL	-	71	70	69	68	67	66	65	64	63	-	-	60	59	58	57	56	55	54	53	SALEABLE		345650003
											-	51	50	49	-	47	-	45	44	-	42	-	-	39	38	37	36	35	34	33			
															32	31	-	29	28	27	26	25	24	23	22	21	-	-	-	17			
															-	-	-	13	12	11	10	9	8	7	6	5	-	3	2	1			

ASSEMBLY DESCRIPTION	ASSEMBLY PART NUMBER	CONNECTOR HOUSING	GROMMET CAP	TPA	RIGHT SLIDE	LEFT SLIDE	MATE ASSIST LEVER	CPA	MAT SEAL	RING SEAL	BLOCKED TERMINALS																		STATUS	COMMENTS	INTEGRAL COMPONENTS SOLD SEPARATELY
											CAVITY WITH A NUMBER INDICATES BLOCKED TERMINAL POSITION																				DRESS COVER
											CAVITY WITHOUT A NUMBER INDICATES OPEN TERMINAL POSITION																				
MX123 CONN ASSY 73 CKT BLK OPT0 KEY A/52	345665653	C-HSG-A0	G-CAP-0-P	TPA-A0	RS	LS	MAL	CPA	MSEAL	RSEAL	-	-	-	-	-	67	-	-	-	-	-	62	-	-	59	58	-	-	55	-	-
											-	-	-	-	-	47	-	-	-	-	42	41	-	-	-	-	-	35	-	-	
											-																				
											-																				
MX123 CONN ASSY 73 CKT BLU OPT0 KEY C/37	345665663	C-HSG-C0	G-CAP-0-P	TPA-C0	RS	LS	MAL	CPA	MSEAL	RSEAL	72	71	70	-	68	-	-	65	-	63	-	61	-	59	58	-	56	-	-	53	
											-	-	-	49	-	47	-	-	-	43	-	41	40	39	38	-	36	-	-		
											-																				
											-																				
MX123 CONN ASSY 73 CKT BLU OPT0 KEY C/35	345665673	C-HSG-C0	G-CAP-0-P	TPA-C0	RS	LS	MAL	CPA	MSEAL	RSEAL	72	71	70	-	68	-	-	65	-	63	62	-	-	59	58	-	56	55	-	53	
											-	-	-	-	-	47	-	-	-	43	42	-	40	39	38	-	36	35	-		
											-																				
											-																				
MX123 CONN ASSY 73 CKT GRY OPT0 KEY B/18	345665683	C-HSG-B0	G-CAP-0-P	TPA-B0	RS	LS	MAL	CPA	MSEAL	RSEAL	-	71	70	69	68	67	66	65	64	63	-	-	60	59	58	57	56	55	54	53	
											-	51	50	49	-	47	-	45	-	-	42	-	-	39	38	37	36	35	34	33	
											-																				
											-																				
MX123 CONN ASSY 73 CKT BLK OPT0 KEY A/53	345665693	C-HSG-A0	G-CAP-0-P	TPA-A0	RS	LS	MAL	CPA	MSEAL	RSEAL	-	-	-	-	-	67	-	-	-	-	62	-	-	59	58	-	-	55	-	-	
											-	-	-	-	-	47	-	-	-	42	41	-	-	-	-	-	35	-	-		
											-																				
											-																				
MX123 CONN ASSY 73 CKT GRY OPT0 KEY B/52	345665703	C-HSG-B0	G-CAP-0-P	TPA-B0	RS	LS	MAL	CPA	MSEAL	RSEAL	72	71	70	69	-	67	66	65	64	63	62	61	60	-	58	-	56	-	54	-	
											52	51	50	-	-	47	-	45	44	43	42	41	40	-	38	-	36	-	34	-	
											-																				
											-																				
MX123 CONN ASSY 73 CKT BLU OPT0 KEY C/40	345665713	C-HSG-C0	G-CAP-0-P	TPA-C0	RS	LS	MAL	CPA	MSEAL	RSEAL	72	71	70	-	68	-	-	65	-	63	-	61	-	59	58	-	56	-	-	53	
											-	-	-	49	-	47	-	-	-	43	-	41	40	39	38	-	36	-	-		
											-																				
											-																				
MX123 CONN ASSY 73 CKT BLU OPT0 KEY C/36	345665723	C-HSG-C0	G-CAP-0-P	TPA-C0	RS	LS	MAL	CPA	MSEAL	RSEAL	72	71	70	-	68	-	-	65	-	63	62	-	-	59	58	-	56	55	-	53	
											-	-	-	-	-	47	-	-	-	43	42	-	40	39	38	-	36	35	-		
											-																				
											-																				
MX123 CONN ASSY 73 CKT BLK OPT0 KEY A/36	345665733	C-HSG-A0	G-CAP-0-P	TPA-A0	RS	LS	MAL	CPA	MSEAL	RSEAL	72	-	-	-	68	67	66	65	-	-	62	61	-	-	-	-	-	-			
											-	-	50	-	48	47	46	-	-	-	-	40	39	38	-	-	35	-	33		
											-																				
											-																				
MX123 CONN ASSY 73 CKT BLK OPT0 KEY A/36	345665743	C-HSG-A0	G-CAP-0-P	TPA-A0	RS	LS	MAL	CPA	MSEAL	RSEAL	72	-	-	-	68	-	66	65	-	-	62	61	-	-	58	-	-	-	-		
											-	-	50	-	48	47	46	-	-	-	-	40	39	38	-	-	35	-	33		
											-																				
											-																				
MX123 CONN ASSY 73 CKT BLK OPT0 KEY A/39	345665753	C-HSG-A0	G-CAP-0-P	TPA-A0	RS	LS	MAL	CPA	MSEAL	RSEAL	72	-	-	-	68	67	66	65	-	-	62	61	-	-	58	-	-	-	-		
											-	-	50	-	48	47	46	-	-	-	-	40	39	38	-	-	35	-	33		
											-																				
											-																				
MX123 CONN ASSY 73 CKT BLU OPT0 KEY C/42	345665763	C-HSG-C0	G-CAP-0-P	TPA-C0	RS	LS	MAL	CPA	MSEAL	RSEAL	-	71	-	69	-	67	-	65	64	-	-	61	60	-	58	-	56	55	54	-	
											-	-	50	49	-	-	-	45	-	43	-	41	-	-	38	-	-	35	-	-	
											-																				
											-																				

ASSEMBLY DESCRIPTION	ASSEMBLY PART NUMBER	CONNECTOR HOUSING	GROMMET CAP	TPA	RIGHT SLIDE	LEFT SLIDE	MATE ASSIST LEVER	CPA	MAT SEAL	RING SEAL	BLOCKED TERMINALS																		STATUS	COMMENTS	INTEGRAL COMPONENTS SOLD SEPARATELY		
											CAVITY WITH A NUMBER INDICATES BLOCKED TERMINAL POSITION																				DRESS COVER		
											CAVITY WITHOUT A NUMBER INDICATES OPEN TERMINAL POSITION																						
MX123 CONN ASSY 73 CKT BLU OPT0 KEY C/41	345665773	C-HSG-C0	G-CAP-0-P	TPA-C0	RS	LS	MAL	CPA	MSEAL	RSEAL	-	71	-	69	-	67	66	65	64	-	-	61	60	-	-	-	56	55	54	-			
											-	-	50	49	-	-	46	45	-	43	-	41	-	-	38	-	-	35	-	-			
											-																		16	-	-	-	12
MX123 CONN ASSY 73 CKT BLU OPT0 KEY C/38	345665783	C-HSG-C0	G-CAP-0-P	TPA-C0	RS	LS	MAL	CPA	MSEAL	RSEAL	-	71	-	69	-	67	66	65	64	-	-	61	60	-	58	-	56	55	54	-			
											-	-	50	49	-	-	46	45	-	43	-	41	-	-	38	-	-	35	-	-			
											-																		16	-	-	-	12
MX123 CONN ASSY 73 CKT BLK OPT0 KEY B/34	345665793	C-HSG-B0	G-CAP-0-P	TPA-B0	RS	LS	MAL	CPA	MSEAL	RSEAL	-	71	-	69	-	67	-	65	64	63	62	61	-	-	58	57	56	-	-	-			
											-	51	-	49	-	47	-	45	44	43	42	41	-	-	38	37	36	-	-	-			
											-																		-	15	14	13	12
MX123 CONN ASSY 73 CKT GRY OPT0 KEY B/55	345665803	C-HSG-B0	G-CAP-0-P	TPA-B0	RS	LS	MAL	CPA	MSEAL	RSEAL	72	71	70	69	68	67	66	-	64	63	62	61	60	-	58	-	56	-	54	-			
											52	51	50	-	-	-	46	45	44	43	42	41	40	-	38	-	36	-	34	-			
											-																		32	31	30	-	28
MX123 CONN ASSY 73 CKT GRY OPT0 KEY B/38	345665813	C-HSG-B0	G-CAP-0-P	TPA-B0	RS	LS	MAL	CPA	MSEAL	RSEAL	-	71	-	69	-	67	-	65	64	63	62	61	-	-	58	57	56	-	-	-			
											-	51	-	49	-	47	-	45	44	43	42	41	-	-	38	37	36	-	-	-			
											-																		-	15	14	13	12
MX123 CONN ASSY 73 CKT BLK OPT0 KEY A/21	345665823	C-HSG-A0	G-CAP-0-P	TPA-A0	RS	LS	MAL	CPA	MSEAL	RSEAL	-	71	-	69	68	67	66	65	64	-	62	61	60	59	58	57	56	55	54	53			
											-	51	50	-	48	47	46	45	44	-	42	-	40	39	38	37	36	35	34	33			
											-																		32	-	-	29	-
MX123 CONN ASSY 73 CKT BLK OPT0 KEY A/22	345665833	C-HSG-A0	G-CAP-0-P	TPA-A0	RS	LS	MAL	CPA	MSEAL	RSEAL	-	71	-	69	68	67	66	65	64	-	62	61	60	59	58	57	56	55	54	53			
											-	51	50	-	48	47	46	45	44	-	42	-	40	39	38	37	36	35	34	33			
											-																		32	-	-	29	-
MX123 CONN ASSY 73 CKT BLU OPT0 KEY C/36	345665863	C-HSG-C0	G-CAP-0-P	TPA-C0	RS	LS	MAL	CPA	MSEAL	RSEAL	-	71	-	69	68	67	-	65	64	-	-	61	60	-	58	-	-	-	54	-			
											-	-	50	49	48	47	-	45	-	43	-	41	-	-	38	-	-	35	-	-			
											-																		16	-	-	13	12
MX123 CONN ASSY 73 CKT GRY OPT0 KEY B/20	345665873	C-HSG-B0	G-CAP-0-P	TPA-B0	RS	LS	MAL	CPA	MSEAL	RSEAL	-	71	70	69	68	67	66	65	64	63	-	-	60	59	58	57	56	55	54	53			
											-	51	50	49	-	-	-	45	-	-	42	-	-	39	38	37	36	35	34	33			
											-																		32	31	-	29	28
MX123 CONN ASSY 73 CKT GRY OPT0 KEY B/19	345665883	C-HSG-B0	G-CAP-0-P	TPA-B0	RS	LS	MAL	CPA	MSEAL	RSEAL	-	71	70	69	68	67	66	65	64	63	-	-	60	59	58	57	56	55	54	53			
											-	51	50	49	-	-	-	45	44	-	42	-	-	39	38	37	36	35	34	33			
											-																		32	31	-	29	28
MX123 CONN ASSY 73 CKT BLU OPT0 KEY C/35	345665893	C-HSG-C0	G-CAP-0-P	TPA-C0	RS	LS	MAL	CPA	MSEAL	RSEAL	72	71	70	-	68	-	-	65	64	63	-	61	-	59	58	-	56	-	-	53			
											-	-	-	49	-	47	-	-	-	43	-	41	40	39	38	-	36	-	-	-			
											-																		-	31	30	29	-
MX123 CONN ASSY 73 CKT BLK OPT0 KEY A/40	345665903	C-HSG-A0	G-CAP-0-P	TPA-A0	RS	LS	MAL	CPA	MSEAL	RSEAL	-	-	70	-	-	-	-	65	-	-	-	61	60	-	58	57	56	55	54	-			
											52	51	50	49	-	47	46	45	-	-	-	41	40	-	38	37	36	-	34	-			
											-																		16	15	14	-	-

ASSEMBLY DESCRIPTION	ASSEMBLY PART NUMBER	CONNECTOR HOUSING	GROMMET CAP	TPA	RIGHT SLIDE	LEFT SLIDE	MATE ASSIST LEVER	CPA	MAT SEAL	RING SEAL	BLOCKED TERMINALS																				STATUS	COMMENTS	INTEGRAL COMPONENTS SOLD SEPARATELY
											CAVITY WITH A NUMBER INDICATES BLOCKED TERMINAL POSITION										CAVITY WITHOUT A NUMBER INDICATES OPEN TERMINAL POSITION												DRESS COVER
											72	71	70	-	68	-	-	65	-	63	62	-	-	59	58	-	56	55	-	53			
MX123 CONN ASSY 73 CKT BLU OPT0 KEY C/34	345665913	C-HSG-C0	G-CAP-0-P	TPA-C0	RS	LS	MAL	CPA	MSEAL	RSEAL	-	-	-	-	47	-	-	-	43	42	-	40	39	38	-	36	35	-	-				
											-	-	-	-	31	30	29	-	-	26	-	24	23	22	21	20	19	-	17				
											-	-	-	-	-	-	-	-	-	-	-	8	7	6	5	4	3	2	1				
MX123 CONN ASSY 73 CKT BLU OPT0 KEY C/38	345665933	C-HSG-C0	G-CAP-0-P	TPA-C0	RS	LS	MAL	CPA	MSEAL	RSEAL	-	71	-	69	-	67	-	65	64	-	-	61	60	-	58	-	-	-	54	-			
											-	-	50	49	-	-	-	45	-	43	-	41	-	-	38	37	36	35	-	-			
											-	-	-	-	31	-	29	28	27	-	-	24	-	-	-	20	19	18	17				
											-	-	-	-	16	-	-	13	12	11	-	-	8	-	-	-	-	3	2	1			
MX123 CONN ASSY 73 CKT BLU OPT0 KEY C/41	345665943	C-HSG-C0	G-CAP-0-P	TPA-C0	RS	LS	MAL	CPA	MSEAL	RSEAL	-	71	-	69	-	-	-	65	64	-	-	61	60	-	58	-	-	-	54	-			
											-	-	50	-	-	-	-	45	-	43	-	41	-	-	38	37	36	35	-	-			
											-	-	-	-	31	-	29	28	-	-	-	24	23	-	-	-	19	18	17				
											-	-	-	-	16	-	-	-	12	11	-	-	8	7	-	-	-	3	2	1			
MX123 CONN ASSY 73 CKT BLK OPT0 KEY A/45	345665953	C-HSG-A0	G-CAP-0-P	TPA-A0	RS	LS	MAL	CPA	MSEAL	RSEAL	72	-	-	-	68	67	66	-	-	-	-	-	-	59	-	-	-	-	-	-			
											-	-	50	-	-	-	46	-	-	-	-	-	40	39	38	-	-	35	-	33			
											-	-	-	-	31	-	-	-	-	-	-	25	-	23	22	21	20	-	-	17			
											-	-	-	-	-	-	14	-	-	-	-	9	8	7	6	5	4	-	2	1			
MX123 CONN ASSY 73 CKT GRY OPT0 KEY B/51	345665963	C-HSG-B0	G-CAP-0-P	TPA-B0	RS	LS	MAL	CPA	MSEAL	RSEAL	-	-	-	69	-	-	-	65	64	63	-	-	-	-	-	-	-	-	-	-			
											-	-	-	49	-	-	-	45	44	43	-	-	-	-	-	-	-	-	-	-			
											-	-	-	-	-	-	-	-	-	-	-	-	-	23	22	21	20	19	-	17			
											-	-	-	-	-	-	-	12	11	-	-	-	7	6	5	4	-	2	1				
MX123 CONN ASSY 73 CKT BLU OPT0 KEY C/41	345665973	C-HSG-C0	G-CAP-0-P	TPA-C0	RS	LS	MAL	CPA	MSEAL	RSEAL	-	71	-	69	-	-	-	65	64	-	-	61	60	-	58	-	-	-	54	-			
											-	-	50	49	-	-	-	45	-	43	-	41	-	-	38	37	36	35	-	-			
											-	-	-	-	31	-	29	28	-	-	-	24	23	-	-	-	20	-	-	17			
											-	-	-	-	16	-	-	13	12	11	-	-	8	7	-	-	-	-	2	1			
MX123 CONN ASSY 73 CKT BLU OPT0 KEY C/36	345665983	C-HSG-C0	G-CAP-0-P	TPA-C0	RS	LS	MAL	CPA	MSEAL	RSEAL	72	71	70	-	68	-	-	65	-	63	-	61	-	59	58	-	56	-	-	53			
											-	-	-	49	-	47	-	-	-	43	-	41	40	39	38	-	36	-	-	-			
											-	-	-	-	31	30	29	-	-	-	25	24	23	22	21	20	-	-	17				
											-	-	-	-	-	-	-	-	-	-	-	8	7	6	5	4	3	2	1				
MX123 CONN ASSY 73 CKT BLK OPT0 KEY A/61	345665993	C-HSG-A0	G-CAP-0-P	TPA-A0	RS	LS	MAL	CPA	MSEAL	RSEAL	72	-	-	-	68	-	-	-	64	-	-	-	-	59	-	-	-	-	-	-			
											-	-	-	-	48	-	46	-	-	-	-	-	-	-	38	-	-	-	-	33			
											-	-	-	-	-	-	-	-	-	-	-	-	-	22	-	-	-	-	-	-			
											-	-	-	-	-	-	-	-	-	-	-	-	7	-	-	4	-	2	-				
MX123 CONN ASSY 73 CKT GRY OPT0 KEY B/55	345666003	C-HSG-B0	G-CAP-0-P	TPA-B0	RS	LS	MAL	CPA	MSEAL	RSEAL	72	71	70	69	68	-	-	-	64	63	62	61	60	-	58	-	56	-	54	-			
											52	51	50	-	-	-	46	45	44	43	42	41	40	-	38	-	36	-	34	-			
											-	-	-	-	32	31	30	-	28	27	26	25	24	-	22	-	20	19	18	17			
											-	-	-	-	16	15	14	13	12	11	10	9	8	-	6	5	4	3	2	1			
MX123 CONN ASSY 73 CKT GRY OPT0 KEY B/46	345666013	C-HSG-B0	G-CAP-0-P	TPA-B0	RS	LS	MAL	CPA	MSEAL	RSEAL	72	71	70	-	68	-	66	-	64	63	62	-	-	-	-	56	55	-	-				
											52	-	-	-	-	-	-	44	-	42	41	-	-	38	-	36	35	-	-				
											-	-	-	-	-	-	28	27	-	25	-	-	-	-	-	-	19	-	17				
											-	-	-	-	-	-	12	11	-	-	-	-	-	-	-	-	3	2	1				
MX123 CONN ASSY 73 CKT BLK OPT0 KEY A/56	345666023	C-HSG-A0	G-CAP-0-P	TPA-A0	RS	LS	MAL	CPA	MSEAL	RSEAL	-	-	-	-	-	-	66	65	64	63	62	61	-	-	-	-	55	-	-				
											-	-	-	-	-	-	46	-	-	-	42	41	-	-	-	-	-	-	-	-			
											-	-	-	-	-	-	-	-	-	27	26	25	-	-	-	-	-	18	-				
											-	-	-	-	-	-	14	-	-	-	-	9	8	-	-	-	-	-	-	-			
MX123 CONN ASSY 73 CKT BLK OPT0 KEY A/39	345666033	C-HSG-A0	G-CAP-0-P	TPA-A0	RS	LS	MAL	CPA	MSEAL	RSEAL	72	71	-	-	68	67	66	65	64	-	-	-	60	59	-	-	-	-	-	-			
											-	-	50	-	48	47	46	45	-	-	-	-	40	39	38	-	-	35	-	33			
											-	-	-	-	31	30	-	-	-	-	25	24	23	22	-	20	-	-	17				
											-	-	-	-	-	-	14	-	-	-	-	9	-	7	6	-	4	-	2	1			

ASSEMBLY DESCRIPTION	ASSEMBLY PART NUMBER	CONNECTOR HOUSING	GROMMET CAP	TPA	RIGHT SLIDE	LEFT SLIDE	MATE ASSIST LEVER	CPA	MAT SEAL	RING SEAL	BLOCKED TERMINALS																				STATUS	COMMENTS	INTEGRAL COMPONENTS SOLD SEPARATELY
											CAVITY WITH A NUMBER INDICATES BLOCKED TERMINAL POSITION																						DRESS COVER
											CAVITY WITHOUT A NUMBER INDICATES OPEN TERMINAL POSITION																						
MX123 CONN ASSY 73 CKT GRY OPT0 KEY B/23	345666043	C-HSG-B0	G-CAP-0-P	TPA-B0	RS	LS	MAL	CPA	MSEAL	RSEAL	72	71	70	69	-	-	-	-	-	63	62	61	60	59	-	57	56	-	54	53	SALEABLE		345650003
											52	51	50	49	48	47	-	-	44	43	42	41	40	39	-	37	36	-	34	33			
											-				-	31	-	-	-	-	26	25	24	23	-	21	20	-	18	-			
MX123 CONN ASSY 73 CKT GRY OPT0 KEY B/20	345666053	C-HSG-B0	G-CAP-0-P	TPA-B0	RS	LS	MAL	CPA	MSEAL	RSEAL	-	71	70	69	68	67	66	65	64	63	-	-	60	59	58	57	56	55	54	53	SALEABLE		345650003
											-	51	50	49	-	-	-	45	44	-	42	-	-	39	38	37	36	35	34	33			
											-				32	31	-	29	28	27	26	25	24	23	22	21	-	-	-	17			
MX123 CONN ASSY 73 CKT BLU OPT0 KEY C/37	345666063	C-HSG-C0	G-CAP-0-P	TPA-C0	RS	LS	MAL	CPA	MSEAL	RSEAL	72	71	70	-	68	-	-	65	-	63	-	61	-	59	58	-	56	-	-	53	SALEABLE		345650003
											-	-	-	49	-	47	-	-	-	43	-	41	40	39	38	-	36	-	-	-			
											-				-	31	30	29	-	-	-	25	24	23	22	21	20	-	-	-			
MX123 CONN ASSY 73 CKT BLU OPT0 KEY C/35	345666073	C-HSG-C0	G-CAP-0-P	TPA-C0	RS	LS	MAL	CPA	MSEAL	RSEAL	72	71	70	-	68	-	-	65	-	63	62	-	-	59	58	-	56	55	-	53	SALEABLE		345650003
											-	-	-	-	-	47	-	-	-	43	42	-	40	39	38	-	36	35	-	-			
											-				-	31	30	29	-	-	26	-	24	23	22	21	20	19	-	-			
MX123 CONN ASSY 73 CKT BLU OPT0 KEY C/38	345666083	C-HSG-C0	G-CAP-0-P	TPA-C0	RS	LS	MAL	CPA	MSEAL	RSEAL	-	71	-	69	-	-	-	65	64	-	-	61	60	-	58	-	56	55	54	-	SALEABLE		345650003
											-	-	50	49	-	-	-	45	-	43	-	41	-	-	38	-	-	35	-	-			
											-				-	31	-	29	28	27	-	-	24	23	-	-	20	19	18	17			
MX123 CONN ASSY 73 CKT GRY OPT0 KEY B/22	345666093	C-HSG-B0	G-CAP-0-P	TPA-B0	RS	LS	MAL	CPA	MSEAL	RSEAL	-	71	-	69	68	-	66	65	64	-	-	-	-	-	58	57	56	55	54	53	SALEABLE		345650003
											-	51	50	49	48	47	-	45	44	-	42	-	-	39	38	37	36	35	34	33			
											-				32	31	30	29	28	-	26	25	24	23	22	21	-	-	-	17			
MX123 CONN ASSY 73 CKT GRY OPT0 KEY B/51	345666103	C-HSG-B0	G-CAP-0-P	TPA-B0	RS	LS	MAL	CPA	MSEAL	RSEAL	72	71	70	69	68	-	-	-	64	63	-	61	60	-	58	-	56	-	54	-	SALEABLE		345650003
											52	51	50	-	-	-	46	45	44	43	-	41	40	-	38	-	36	-	34	-			
											-				32	31	30	-	28	27	-	25	24	-	22	-	20	19	18	17			
MX123 CONN ASSY 73 CKT BLK OPT0 KEY A/66	345666113	C-HSG-A0	G-CAP-0-P	TPA-A0	RS	LS	MAL	CPA	MSEAL	RSEAL	-	-	-	-	-	67	-	-	-	-	-	-	-	59	-	-	-	-	-	SALEABLE		345650003	
											-	-	-	-	-	47	-	-	-	-	-	-	-	-	-	-	-	35	-				-
											-				-	-	-	-	-	-	-	-	24	-	-	-	-	-	-				17
MX123 CONN ASSY 73 CKT BLU OPT0 KEY C/33	345666123	C-HSG-C0	G-CAP-0-P	TPA-C0	RS	LS	MAL	CPA	MSEAL	RSEAL	72	71	70	-	68	-	-	65	-	63	-	61	-	59	58	-	56	55	-	53	SALEABLE		345650003
											-	-	-	49	-	47	-	-	-	43	-	41	40	39	38	-	36	35	-	-			
											-				32	31	30	29	-	-	-	25	24	23	22	21	20	19	18	17			
MX123 CONN ASSY 73 CKT BLU OPT9 KEY C/38	345666133	C-HSG-C9	G-CAP-9-P	TPA-C9	RS	LS	MAL	CPA	MSEAL	RSEAL	-	71	-	69	-	-	66	65	64	-	-	61	60	-	58	-	56	55	54	-	SALEABLE		345650003
											-	-	50	49	-	-	46	45	-	43	-	41	-	-	-	-	-	35	-	-			
											-				-	31	-	29	28	27	-	-	-	23	-	-	20	19	18	17			
MX123 CONN ASSY 73 CKT GRY OPT9 KEY B/33	345666173	C-HSG-B9	G-CAP-9-P	TPA-B9	RS	LS	MAL	CPA	MSEAL	RSEAL	72	71	70	69	68	-	-	65	64	63	62	61	60	59	58	57	56	55	54	53	SALEABLE		345650003
											52	51	50	49	-	-	46	45	44	43	42	-	40	39	38	37	36	35	34	33			
											-				-	-	-	-	28	-	-	-	23	-	-	20	-	-	-	2			
MX123 CONN ASSY 73 CKT BLK OPT9 KEY A/32	345666183	C-HSG-A9	G-CAP-9-P	TPA-A9	RS	LS	MAL	CPA	MSEAL	RSEAL	72	71	70	69	68	67	-	65	64	63	62	61	60	59	58	57	56	55	54	53	SALEABLE		345650003
											52	51	50	49	-	-	46	45	44	43	42	-	40	39	38	37	36	35	34	33			
											-				-	-	-	-	28	-	-	-	23	-	-	20	-	-	-	2			

ASSEMBLY DESCRIPTION	ASSEMBLY PART NUMBER	CONNECTOR HOUSING	GROMMET CAP	TPA	RIGHT SLIDE	LEFT SLIDE	MATE ASSIST LEVER	CPA	MAT SEAL	RING SEAL	BLOCKED TERMINALS																		STATUS	COMMENTS	INTEGRAL COMPONENTS SOLD SEPARATELY								
											CAVITY WITH A NUMBER INDICATES BLOCKED TERMINAL POSITION																				DRESS COVER								
											CAVITY WITHOUT A NUMBER INDICATES OPEN TERMINAL POSITION																												
MX123 CONN ASSY 73 CKT BLK OPT9 KEY A/36	345666433	C-HSG-A9	G-CAP-9-P	TPA-A9	RS	LS	MAL	CPA	MSEAL	RSEAL	-	71	-	69	68	-	66	65	64	-	62	61	-	-	-	-	-	-	54	53	SALEABLE		345650003						
											-	-	50	49	-	-	-	45	44	-	-	41	-	-	-	-	-	-	-	-				-	-	-	-	34	33
																						32	31	30	29	-	-	26	25	24				23	-	-	20	19	-
											16	15	14	13	-	-	10	-	8	-	6	5	4	3	-	-													
MX123 CONN ASSY 73 CKT GRY OPT9 KEY B/64	345666443	C-HSG-B9	G-CAP-9-P	TPA-B9	RS	LS	MAL	CPA	MSEAL	RSEAL	-	-	-	-	-	-	-	-	-	-	62	-	-	59	58	-	-	-	54	53	SALEABLE		345650003						
											-	-	-	-	-	-	-	-	-	-	42	-	-	39	-	-	-	-	-	-				-	-	-	-	-	-
																						-	-	-	-	-	27	-	-	-				-	-	-	-	-	-
											-	-	-	-	-	-	10	-	-	-	-	-	-	-	-	-	-												
MX123 CONN ASSY 73 CKT BLU OPT0 KEY C/43	345666453	C-HSG-C0	G-CAP-0-P	TPA-C0	RS	LS	MAL	CPA	MSEAL	RSEAL	72	-	-	-	68	-	66	-	-	63	-	-	59	58	-	56	55	-	53	SALEABLE		345650003							
											-	-	-	-	-	-	-	-	-	43	-	-	40	39	38	-	36	35	-				-						
																						-	31	30	29	-	-	-	24				23	22	21	20	19	-	-
											-	-	-	-	-	-	-	-	-	-	-	6	5	4	3	2	1												
MX123 CONN ASSY 73 CKT GRY OPT0 KEY B/23	345666463	C-HSG-B0	G-CAP-0-P	TPA-B0	RS	LS	MAL	CPA	MSEAL	RSEAL	-	71	70	69	-	-	66	65	64	63	-	-	60	59	58	57	56	-	54	53	SALEABLE		345650003						
											-	51	50	49	-	-	-	45	44	-	42	41	-	39	38	37	36	35	34	33									
																						32	31	-	29	28	27	26	25	24				23	22	21	-	-	-
											-	-	-	13	12	11	10	9	-	7	6	5	-	3	-	1													
MX123 CONN ASSY 73 CKT BLU OPT9 KEY C/40	345666473	C-HSG-C9	G-CAP-9-P	TPA-C9	RS	LS	MAL	CPA	MSEAL	RSEAL	72	71	-	-	68	-	-	65	-	63	-	61	-	59	58	-	56	-	-	53	SALEABLE		345650003						
											-	-	-	49	-	47	-	-	-	43	-	41	40	39	38	-	36	-	-	-									
																						-	31	30	29	-	-	-	25	24				23	22	21	20	-	-
											-	-	-	-	-	-	-	-	-	-	-	6	5	4	3	2	1												
MX123 CONN ASSY 73 CKT BLK OPT9 KEY A/52	345666483	C-HSG-A9	G-CAP-9-P	TPA-A9	RS	LS	MAL	CPA	MSEAL	RSEAL	-	-	-	-	-	67	-	-	-	-	62	-	-	59	58	-	-	55	-	-	SALEABLE		345650003						
											-	-	-	-	-	47	-	-	-	-	42	41	-	-	-	-	-	35	-	-									
																						-	-	-	-	-	27	-	-	24				-	-	-	-	19	18
											16	-	-	-	-	11	10	-	8	-	-	-	4	3	-	1													
MX123 CONN ASSY 73 CKT GRY OPT9 KEY B/22	345666493	C-HSG-B9	G-CAP-9-P	TPA-B9	RS	LS	MAL	CPA	MSEAL	RSEAL	-	71	-	69	68	67	66	65	64	63	-	-	60	59	58	57	56	-	54	53	SALEABLE		345650003						
											-	51	50	49	-	-	-	45	44	-	42	-	-	39	38	37	36	35	34	33									
																						32	31	-	29	28	27	26	25	24				23	22	21	-	-	-
											-	-	-	13	12	11	10	9	8	7	6	5	-	3	-	1													
MX123 CONN ASSY 73 CKT BLK OPT0 KEY A/33	345666503	C-HSG-A0	G-CAP-0-P	TPA-A0	RS	LS	MAL	CPA	MSEAL	RSEAL	72	-	70	-	-	67	66	-	-	-	62	-	60	-	-	57	-	55	54	53	SALEABLE		345650003						
											-	51	-	-	48	-	46	45	44	43	42	-	40	39	-	-	-	35	-	-									
																						-	-	-	-	-	-	26	25	-				-	22	21	-	-	-
											-	15	14	-	-	-	-	-	8	7	6	5	4	3	-	-													
MX123 CONN ASSY 73 CKT GRY OPT0 KEY B/23	345666513	C-HSG-B0	G-CAP-0-P	TPA-B0	RS	LS	MAL	CPA	MSEAL	RSEAL	-	71	70	69	-	-	66	65	64	63	-	-	60	59	58	57	56	-	54	53	SALEABLE		345650003						
											-	51	50	49	48	47	-	45	44	-	42	41	-	39	38	37	36	35	34	33									
																						32	31	30	29	28	27	26	25	24				23	22	21	-	-	-
											-	-	-	13	12	11	10	9	-	7	6	5	-	-	-	1													
MX123 CONN ASSY 73 CKT GRY OPT0 KEY B/25	345666523	C-HSG-B0	G-CAP-0-P	TPA-B0	RS	LS	MAL	CPA	MSEAL	RSEAL	72	71	70	69	-	-	66	65	-	63	62	61	60	-	-	57	56	55	-	53	SALEABLE		345650003						
											52	51	50	49	48	47	-	-	44	43	42	41	40	-	-	37	36	35	34	33									
																						-	31	-	-	-	-	26	25	24				-	-	21	20	19	18
											16	-	14	-	12	-	-	9	8	7	-	5	4	3	2	-													
MX123 CONN ASSY 73 CKT GRY OPT9 KEY B/15	345666533	C-HSG-B9	G-CAP-9-P	TPA-B9	RS	LS	MAL	CPA	MSEAL	RSEAL	72	71	70	69	-	-	66	65	-	63	62	61	60	59	58	57	56	55	54	53	SALEABLE		345650003						
											52	51	50	49	48	47	-	-	44	43	42	41	40	39	38	37	36	35	34	33									
																						-	31	-	-	-	-	26	25	24				23	22	21	20	19	18
											16	15	14	13	12	11	-	9	8	-	6	5	4	3	2	-													
MX123 CONN ASSY 73 CKT BLK OPT9 KEY A/53	345666543	C-HSG-A9	G-CAP-9-P	TPA-A9	RS	LS	MAL	CPA	MSEAL	RSEAL	-	-	-	-	-	67	-	-	-	-	62	-	-	59	58	-	-	55	-	-	SALEABLE		345650003						
											-	-	-	-	-	47	-	-	-	-	42	41	-	-	-	-	-	35	-	-									
																						-	-	-	-	-	27	-	-	24				-	-	-	-	19	18
											16	-	-	-	-	11	10	-	8	-	-	-	-	3	-	1													

ASSEMBLY DESCRIPTION	ASSEMBLY PART NUMBER	CONNECTOR HOUSING	GROMMET CAP	TPA	RIGHT SLIDE	LEFT SLIDE	MATE ASSIST LEVER	CPA	MAT SEAL	RING SEAL	BLOCKED TERMINALS																		STATUS	COMMENTS	INTEGRAL COMPONENTS SOLD SEPARATELY		
											CAVITY WITH A NUMBER INDICATES BLOCKED TERMINAL POSITION																				DRESS COVER		
											CAVITY WITHOUT A NUMBER INDICATES OPEN TERMINAL POSITION																						
MX123 CONN ASSY 73 CKT BLK OPT9 KEY A/37	345666683	C-HSG-A9	G-CAP-9-P	TPA-A9	RS	LS	MAL	CPA	MSEAL	RSEAL	-	71	-	69	68	-	66	65	64	-	62	61	-	-	-	-	56	55	54	53	SALEABLE		345650003
											-	51	50	49	-	-	-	45	44	-	-	41	-	-	-	-	36	35	34	33			
											-																		-	26			
MX123 CONN ASSY 73 CKT BLU OPT9 KEY C/43	345666693	C-HSG-C9	G-CAP-9-P	TPA-C9	RS	LS	MAL	CPA	MSEAL	RSEAL	-	-	-	-	68	-	-	-	-	63	62	61	60	59	58	57	-	55	-	53	SALEABLE		345650003
											-	-	-	-	48	-	-	-	-	43	42	41	40	-	-	37	36	35	-	33			
											-																		32	-			
MX123 CONN ASSY 73 CKT BLK OPT9 KEY A/54	345666713	C-HSG-A9	G-CAP-9-P	TPA-A9	RS	LS	MAL	CPA	MSEAL	RSEAL	-	-	-	-	-	67	-	-	-	-	62	-	-	59	58	-	-	55	-	-	SALEABLE		345650003
											-	-	-	-	-	47	-	-	-	-	-	-	-	-	-	-	-	35	-	-			
											-																		-	-			
MX123 CONN ASSY 73 CKT BLU OPT9 KEY C/35	345666743	C-HSG-C9	G-CAP-9-P	TPA-C9	RS	LS	MAL	CPA	MSEAL	RSEAL	72	-	70	-	-	-	66	-	-	-	62	-	-	59	58	-	56	55	54	53	SALEABLE		345650003
											-	-	-	49	-	47	-	-	44	-	42	-	40	39	38	-	36	35	-	-			
											-																		32	31			
MX123 CONN ASSY 73 CKT BLK OPT9 KEY A/49	345666753	C-HSG-A9	G-CAP-9-P	TPA-A9	RS	LS	MAL	CPA	MSEAL	RSEAL	-	-	-	-	-	67	-	-	-	63	62	-	-	59	58	-	-	55	-	-	SALEABLE		345650003
											-	-	-	-	-	47	-	-	-	-	41	-	-	-	-	-	35	-	-				
											-																		32	-			
MX123 CONN ASSY 73 CKT GRY OPT9 KEY B/26	345666763	C-HSG-B9	G-CAP-9-P	TPA-B9	RS	LS	MAL	CPA	MSEAL	RSEAL	-	71	70	69	-	67	66	65	64	63	-	-	60	59	58	57	56	-	54	53	SALEABLE		345650003
											-	51	-	-	48	47	-	-	44	-	42	41	-	39	38	37	36	35	-	33			
											-																		32	31			
MX123 CONN ASSY 73 CKT BLU OPT0 KEY C/40	345666773	C-HSG-C0	G-CAP-0-P	TPA-C0	RS	LS	MAL	CPA	MSEAL	RSEAL	-	71	-	69	-	67	-	65	64	-	-	61	60	-	-	-	56	55	54	-	SALEABLE		345650003
											-	-	50	-	-	-	-	45	-	43	-	41	-	-	38	37	36	35	-	-			
											-																		-	31			
MX123 CONN ASSY 73 CKT GRY OPT0 KEY B/37	345666783	C-HSG-B0	G-CAP-0-P	TPA-B0	RS	LS	MAL	CPA	MSEAL	RSEAL	-	71	-	69	-	67	-	65	64	63	62	61	-	-	58	57	56	-	-	-	SALEABLE		345650003
											-	51	-	49	-	47	-	45	44	-	42	41	-	-	38	37	36	-	-	-			
											-																		-	15			
MX123 CONN ASSY 73 CKT GRY OPT0 KEY B/42	345666793	C-HSG-B0	G-CAP-0-P	TPA-B0	RS	LS	MAL	CPA	MSEAL	RSEAL	-	71	-	69	-	67	-	65	-	-	62	61	-	-	58	57	56	-	-	-	SALEABLE		345650003
											-	51	-	49	-	47	-	45	44	-	42	41	-	-	38	37	36	-	-	-			
											-																		-	15			
MX123 CONN ASSY 73 CKT GRY OPT0 KEY B/55	345666803	C-HSG-B0	G-CAP-0-P	TPA-B0	RS	LS	MAL	CPA	MSEAL	RSEAL	72	71	70	69	68	67	66	-	64	63	62	61	60	-	58	-	56	-	54	-	SALEABLE		345650003
											52	51	50	-	-	47	-	45	-	43	42	41	40	-	38	-	36	-	34	-			
											-																		32	31			
MX123 CONN ASSY 73 CKT BLK OPT9 KEY A/55	345666813	C-HSG-A9	G-CAP-9-P	TPA-A9	RS	LS	MAL	CPA	MSEAL	RSEAL	72	-	-	-	-	-	66	-	-	-	-	-	-	59	-	-	-	-	-	SALEABLE		345650003	
											-	-	-	-	-	-	46	-	-	-	-	-	-	38	-	-	35	-	33				
											-																		-				31
MX123 CONN ASSY 73 CKT BLU OPT9 KEY C/45	345666823	C-HSG-C9	G-CAP-9-P	TPA-C9	RS	LS	MAL	CPA	MSEAL	RSEAL	-	71	-	69	-	-	-	65	64	-	-	61	60	-	58	-	56	55	54	-	SALEABLE		345650003
											-	-	50	-	-	-	-	45	-	43	42	-	-	-	38	-	-	-	-	-			
											-																		-	31			

ASSEMBLY DESCRIPTION	ASSEMBLY PART NUMBER	CONNECTOR HOUSING	GROMMET CAP	TPA	RIGHT SLIDE	LEFT SLIDE	MATE ASSIST LEVER	CPA	MAT SEAL	RING SEAL	BLOCKED TERMINALS																		STATUS	COMMENTS	INTEGRAL COMPONENTS SOLD SEPARATELY		
											CAVITY WITH A NUMBER INDICATES BLOCKED TERMINAL POSITION																				DRESS COVER		
											CAVITY WITHOUT A NUMBER INDICATES OPEN TERMINAL POSITION																						
MX123 CONN ASSY 73 CKT BLK OPT0 KEY A/52	345666953	C-HSG-A0	G-CAP-0-P	TPA-A0	RS	LS	MAL	CPA	MSEAL	RSEAL	-	-	-	-	68	67	-	65	-	-	62	-	-	59	58	-	-	55	-	-	SALEABLE		345650003
MX123 CONN ASSY 73 CKT GRY OPT0 KEY B/24	345666963	C-HSG-B0	G-CAP-0-P	TPA-B0	RS	LS	MAL	CPA	MSEAL	RSEAL	-	71	-	69	-	-	66	65	64	63	-	-	60	59	58	57	56	-	54	53	SALEABLE		345650003
MX123 CONN ASSY 73 CKT BLU OPT0 KEY C/46	345666973	C-HSG-C0	G-CAP-0-P	TPA-C0	RS	LS	MAL	CPA	MSEAL	RSEAL	72	-	-	-	68	-	66	-	-	63	-	-	-	59	58	-	56	-	-	53	SALEABLE		345650003
MX123 CONN ASSY 73 CKT BLU OPT0 KEY C/36	345666983	C-HSG-C0	G-CAP-0-P	TPA-C0	RS	LS	MAL	CPA	MSEAL	RSEAL	72	-	70	-	68	-	66	-	-	63	-	61	-	59	58	-	56	55	-	53	SALEABLE		345650003
MX123 CONN ASSY 73 CKT GRY OPT0 KEY B/43	345667003	C-HSG-B0	G-CAP-0-P	TPA-B0	RS	LS	MAL	CPA	MSEAL	RSEAL	72	71	70	69	68	-	-	65	64	63	62	61	60	-	58	-	-	-	54	-	SALEABLE		345650003
MX123 CONN ASSY 73 CKT BLK OPT9 KEY A/44	345667013	C-HSG-A9	G-CAP-9-P	TPA-A9	RS	LS	MAL	CPA	MSEAL	RSEAL	72	-	-	-	68	67	66	65	-	-	-	-	-	-	-	-	-	-	-	-	SALEABLE		345650003
MX123 CONN ASSY 73 CKT BLK OPT0 KEY A/51	345667023	C-HSG-A0	G-CAP-0-P	TPA-A0	RS	LS	MAL	CPA	MSEAL	RSEAL	-	-	-	-	-	67	-	-	-	63	62	-	-	59	58	-	-	55	-	-	SALEABLE		345650003
MX123 CONN ASSY 73 CKT BLK OPT0 KEY A/41	345667033	C-HSG-A0	G-CAP-0-P	TPA-A0	RS	LS	MAL	CPA	MSEAL	RSEAL	72	71	-	-	68	67	66	-	64	-	-	-	-	59	-	-	-	-	-	-	SALEABLE		345650003
MX123 CONN ASSY 73 CKT GRY OPT0 KEY B/24	345667043	C-HSG-B0	G-CAP-0-P	TPA-B0	RS	LS	MAL	CPA	MSEAL	RSEAL	-	71	70	69	-	-	66	65	64	-	-	-	-	-	58	57	56	-	54	53	SALEABLE		345650003
MX123 CONN ASSY 73 CKT BLU OPT0 KEY C/39	345667053	C-HSG-C0	G-CAP-0-P	TPA-C0	RS	LS	MAL	CPA	MSEAL	RSEAL	72	-	70	-	68	-	66	-	-	63	-	-	-	59	58	-	56	55	-	53	SALEABLE		345650003
MX123 CONN ASSY 73 CKT BLU OPT0 KEY C/35	345667063	C-HSG-C0	G-CAP-0-P	TPA-C0	RS	LS	MAL	CPA	MSEAL	RSEAL	-	71	-	69	-	-	-	65	64	-	-	61	60	-	58	-	56	55	54	-	SALEABLE		345650003
MX123 CONN ASSY 73 CKT NAT OPT9 KEY F/17	345667073	C-HSG-F9	G-CAP-9-P	TPA-F9	RS	LS	MAL	CPA	MSEAL	RSEAL	72	71	70	-	-	67	66	65	64	63	62	61	60	59	-	-	56	55	54	53	SALEABLE		345650003

ASSEMBLY DESCRIPTION	ASSEMBLY PART NUMBER	CONNECTOR HOUSING	GROMMET CAP	TPA	RIGHT SLIDE	LEFT SLIDE	MATE ASSIST LEVER	CPA	MAT SEAL	RING SEAL	BLOCKED TERMINALS																				STATUS	COMMENTS	INTEGRAL COMPONENTS SOLD SEPARATELY	
											CAVITY WITH A NUMBER INDICATES BLOCKED TERMINAL POSITION																						DRESS COVER	
											CAVITY WITHOUT A NUMBER INDICATES OPEN TERMINAL POSITION																							
MX123 CONN ASSY 73 CKT GRY OPT9 KEY B/13	345667083	C-HSG-B9	G-CAP-9-P	TPA-B9	RS	LS	MAL	CPA	MSEAL	RSEAL	72	71	70	69	68	67	66	65	64	63	62	61	60	59	58	57	56	55	54	53	SALEABLE		345650003	
											52	51	50	49	48	47	46	45	44	43	42	41	40	39	38	37	36	35	34	33				
											-	-	-	-	32	31	30	29	28	27	26	25	24	23	22	21	20	19	18	17				
MX123 CONN ASSY 73 CKT GRY OPT9 KEY B/49	345667093	C-HSG-B9	G-CAP-9-P	TPA-B9	RS	LS	MAL	CPA	MSEAL	RSEAL	-	-	-	-	-	-	-	-	-	-	62	61	60	-	58	57	56	55	54	-	SALEABLE		345650003	
											-	-	-	-	-	-	-	-	-	-	42	41	40	-	38	37	36	35	-	-				
											-	-	-	-	-	-	-	-	-	-	-	-	-	-	22	21	20	19	18	-				-
MX123 CONN ASSY 73 CKT BLK OPT0 KEY A/25	345667103	C-HSG-A0	G-CAP-0-P	TPA-A0	RS	LS	MAL	CPA	MSEAL	RSEAL	-	-	-	-	-	-	-	65	-	-	-	61	-	-	58	57	56	-	-	-	SALEABLE		345650003	
											-	51	50	-	-	47	46	45	-	-	-	41	-	-	38	37	36	-	-	-				
											-	-	-	-	-	31	30	-	-	-	26	25	-	-	22	21	20	-	-	-				
MX123 CONN ASSY 73 CKT GRY OPT9 KEY B/8	345667133	C-HSG-B9	G-CAP-9-P	TPA-B9	RS	LS	MAL	CPA	MSEAL	RSEAL	72	71	70	69	68	67	66	65	64	63	62	61	60	59	-	57	56	55	-	-	SALEABLE		345650003	
											52	51	50	49	48	47	46	45	44	43	-	41	40	39	38	37	36	35	34	33				
											-	-	-	-	32	31	30	29	28	-	26	-	24	23	22	21	20	19	18	17				
MX123 CONN ASSY 73 CKT BLK OPT0 KEY A/35	345667143	C-HSG-A0	G-CAP-0-P	TPA-A0	RS	LS	MAL	CPA	MSEAL	RSEAL	72	71	-	-	68	67	66	65	64	-	62	61	-	-	-	-	-	-	-	SALEABLE		345650003		
											-	-	50	-	-	-	46	45	-	-	-	-	40	39	38	-	-	35	-				-	
											-	-	-	-	-	31	30	29	-	27	-	25	24	23	22	21	20	-	-				17	
MX123 CONN ASSY 73 CKT BLU OPT0 KEY C/45	345667153	C-HSG-C0	G-CAP-0-P	TPA-C0	RS	LS	MAL	CPA	MSEAL	RSEAL	-	71	-	69	-	67	-	65	64	-	-	61	60	-	-	-	56	55	54	-	SALEABLE		345650003	
											-	-	50	-	-	-	45	-	43	-	41	-	-	38	-	-	35	-	-					
											-	-	-	-	-	31	-	29	28	27	-	-	-	23	-	-	20	-	-	-				
MX123 CONN ASSY 73 CKT BLK OPT0 KEY A/45	345667163	C-HSG-A0	G-CAP-0-P	TPA-A0	RS	LS	MAL	CPA	MSEAL	RSEAL	-	71	-	-	-	-	66	65	64	63	62	-	-	59	58	57	-	-	-	SALEABLE		345650003		
											-	51	-	-	-	-	46	-	-	-	42	-	-	39	38	37	36	-	-				-	
											-	-	-	-	-	32	31	30	-	-	27	26	-	-	23	22	21	-	-				-	
MX123 CONN ASSY 73 CKT GRY OPT0 KEY B/23	345667173	C-HSG-B0	G-CAP-0-P	TPA-B0	RS	LS	MAL	CPA	MSEAL	RSEAL	72	71	70	69	-	-	-	-	-	-	62	61	60	59	-	57	56	-	54	53	SALEABLE		345650003	
											52	51	50	49	48	47	-	-	44	-	42	41	40	39	-	37	36	35	-	33				
											-	-	-	-	31	-	-	-	-	-	26	25	24	23	-	21	20	19	18	-				-
MX123 CONN ASSY 73 CKT GRY OPT0 KEY B/72	345667183	C-HSG-B0	G-CAP-0-P	TPA-B0	RS	LS	MAL	CPA	MSEAL	RSEAL	-	-	-	-	-	-	-	-	-	-	-	-	-	-	-	-	-	-	SALEABLE		345650003			
											-	-	-	-	-	-	-	-	-	-	-	-	-	-	-	-	-	-				-	-	-
											-	-	-	-	-	-	-	-	-	-	-	-	-	-	23	-	-	-				-	-	-
MX123 CONN ASSY 73 CKT BLK OPT0 KEY A/41	345667193	C-HSG-A0	G-CAP-0-P	TPA-A0	RS	LS	MAL	CPA	MSEAL	RSEAL	-	71	-	-	68	67	66	65	64	-	-	-	-	59	-	-	-	-	-	SALEABLE		345650003		
											-	-	50	-	48	47	46	45	-	-	-	-	40	39	38	-	-	35	-				33	
											-	-	-	-	31	30	-	-	-	-	25	24	23	22	21	20	-	-	-				-	-
MX123 CONN ASSY 73 CKT GRY OPT0 KEY B/25	345667203	C-HSG-B0	G-CAP-0-P	TPA-B0	RS	LS	MAL	CPA	MSEAL	RSEAL	-	-	-	-	-	-	-	-	-	-	-	61	-	-	58	57	56	-	-	-	SALEABLE		345650003	
											-	51	50	-	-	47	46	45	-	-	-	41	40	-	38	37	36	-	-	-				
											-	-	-	-	-	31	30	-	28	-	26	25	-	-	22	21	-	-	-	-				-
MX123 CONN ASSY 73 CKT BLK OPT0 KEY A/30	345667213	C-HSG-A0	G-CAP-0-P	TPA-A0	RS	LS	MAL	CPA	MSEAL	RSEAL	72	71	-	-	68	67	66	65	64	-	62	61	60	59	-	57	-	55	-	53	SALEABLE		345650003	
											-	-	50	-	48	-	46	45	-	-	-	-	40	-	38	37	-	35	-	33				
											-	-	-	-	31	30	29	-	27	-	25	24	23	22	21	20	-	-	-	-				-

ASSEMBLY DESCRIPTION	ASSEMBLY PART NUMBER	CONNECTOR HOUSING	GROMMET CAP	TPA	RIGHT SLIDE	LEFT SLIDE	MATE ASSIST LEVER	CPA	MAT SEAL	RING SEAL	BLOCKED TERMINALS																		STATUS	COMMENTS	INTEGRAL COMPONENTS SOLD SEPARATELY		
											CAVITY WITH A NUMBER INDICATES BLOCKED TERMINAL POSITION																				DRESS COVER		
											CAVITY WITHOUT A NUMBER INDICATES OPEN TERMINAL POSITION																						
MX123 CONN ASSY 73 CKT BLU OPT0 KEY C/41	345667223	C-HSG-C0	G-CAP-0-P	TPA-C0	RS	LS	MAL	CPA	MSEAL	RSEAL	-	71	-	69	-	67	-	65	64	-	-	61	60	-	58	-	56	55	54	-	SALEABLE		345650003
											-	-	50	49	-	-	-	45	-	43	-	41	-	-	38	-	-	35	-	-			
											-																		16	-			
MX123 CONN ASSY 73 CKT BLK OPT9 KEY A/29	345667233	C-HSG-A9	G-CAP-9-P	TPA-A9	RS	LS	MAL	CPA	MSEAL	RSEAL	-	71	70	69	68	67	66	65	64	63	-	-	60	59	58	-	-	-	-	53	SALEABLE		345650003
											-	-	50	49	48	47	-	-	44	-	42	41	-	39	38	-	36	-	-	33			
											-																		-	31			
MX123 CONN ASSY 73 CKT BLK OPT9 KEY A/33	345667243	C-HSG-A9	G-CAP-9-P	TPA-A9	RS	LS	MAL	CPA	MSEAL	RSEAL	-	71	70	69	68	67	66	65	64	63	-	-	60	59	-	-	-	-	53	SALEABLE		345650003	
											-	-	50	49	-	47	-	-	44	-	42	-	-	39	38	-	36	-	-				33
											-																		-				31
MX123 CONN ASSY 73 CKT GRY OPT0 KEY B/19	345667253	C-HSG-B0	G-CAP-0-P	TPA-B0	RS	LS	MAL	CPA	MSEAL	RSEAL	-	71	70	69	68	67	66	65	64	63	-	-	60	59	58	57	56	55	54	53	SALEABLE		345650003
											-	51	50	49	-	-	-	45	-	-	42	-	-	39	38	37	36	35	34	33			
											-																		32	31			
MX123 CONN ASSY 73 CKT BLU OPT0 KEY C/34	345667263	C-HSG-C0	G-CAP-0-P	TPA-C0	RS	LS	MAL	CPA	MSEAL	RSEAL	72	71	70	-	68	-	-	65	-	63	-	61	-	59	58	-	56	55	-	53	SALEABLE		345650003
											-	-	-	49	-	47	-	-	-	43	-	41	40	39	38	-	36	35	-	-			
											-																		32	31			
MX123 CONN ASSY 73 CKT BLU OPT0 KEY C/39	345667273	C-HSG-C0	G-CAP-0-P	TPA-C0	RS	LS	MAL	CPA	MSEAL	RSEAL	72	71	70	-	68	-	-	65	-	63	-	61	-	59	58	-	56	-	-	53	SALEABLE		345650003
											-	-	-	49	-	47	-	-	-	43	-	41	40	39	38	-	36	-	-	-			
											-																		-	31			
MX123 CONN ASSY 73 CKT BLU OPT0 KEY C/35	345667283	C-HSG-C0	G-CAP-0-P	TPA-C0	RS	LS	MAL	CPA	MSEAL	RSEAL	72	71	70	-	68	-	-	65	-	63	62	-	-	59	58	-	56	55	-	53	SALEABLE		345650003
											-	-	-	-	-	47	-	-	-	43	42	-	40	39	38	-	36	35	-	-			
											-																		32	31			
MX123 CONN ASSY 73 CKT BLK OPT9 KEY A/49	345667293	C-HSG-A9	G-CAP-9-P	TPA-A9	RS	LS	MAL	CPA	MSEAL	RSEAL	-	-	-	-	-	-	-	-	-	-	62	61	60	-	58	57	56	55	54	-	SALEABLE		345650003
											-	-	-	-	-	-	-	-	-	-	42	41	40	-	38	37	36	35	-	-			
											-																		-	-			
MX123 CONN ASSY 73 CKT GRY OPT0 KEY B/49	345667303	C-HSG-B0	G-CAP-0-P	TPA-B0	RS	LS	MAL	CPA	MSEAL	RSEAL	72	71	70	-	67	-	65	64	63	62	61	60	-	58	57	56	-	54	-	SALEABLE		345650003	
											52	51	50	-	47	-	45	-	43	42	41	40	-	38	-	36	-	34	-				
											-																		32				31
MX123 CONN ASSY 73 CKT GRY OPT0 KEY B/22	345667313	C-HSG-B0	G-CAP-0-P	TPA-B0	RS	LS	MAL	CPA	MSEAL	RSEAL	-	71	70	69	68	-	66	65	64	63	-	-	60	59	58	57	56	-	54	53	SALEABLE		345650003
											-	51	50	49	-	-	-	45	44	-	42	41	-	39	38	37	36	35	34	33			
											-																		32	31			
MX123 CONN ASSY 73 CKT GRY OPT9 KEY B/66	345667333	C-HSG-B9	G-CAP-9-P	TPA-B9	RS	LS	MAL	CPA	MSEAL	RSEAL	-	-	-	-	-	-	-	-	-	-	-	-	-	58	-	-	-	54	53	SALEABLE		345650003	
											-	-	-	-	-	-	-	-	-	-	42	-	-	-	-	-	-	-	-				-
											-																		-				-
MX123 CONN ASSY 73 CKT GRY OPT9 KEY B/33	345667343	C-HSG-B9	G-CAP-9-P	TPA-B9	RS	LS	MAL	CPA	MSEAL	RSEAL	72	71	70	69	-	-	66	65	-	-	62	61	60	-	-	57	56	-	-	53	SALEABLE		345650003
											52	51	50	49	48	47	-	-	-	-	42	41	40	-	-	37	36	-	34	33			
											-																		-	31			

ASSEMBLY DESCRIPTION	ASSEMBLY PART NUMBER	CONNECTOR HOUSING	GROMMET CAP	TPA	RIGHT SLIDE	LEFT SLIDE	MATE ASSIST LEVER	CPA	MAT SEAL	RING SEAL	BLOCKED TERMINALS																			STATUS	COMMENTS	INTEGRAL COMPONENTS SOLD SEPARATELY	
											CAVITY WITH A NUMBER INDICATES BLOCKED TERMINAL POSITION																					DRESS COVER	
											CAVITY WITHOUT A NUMBER INDICATES OPEN TERMINAL POSITION																						
MX123 CONN ASSY 73 CKT BLU OPT9 KEY C/40	345667353	C-HSG-C9	G-CAP-9-P	TPA-C9	RS	LS	MAL	CPA	MSEAL	RSEAL	72	71	70	-	68	-	-	65	-	63	-	61	-	59	58	-	56	-	-	53	SALEABLE		345650003
											-	-	-	49	-	-	-	-	-	43	-	41	40	39	38	-	36	-	-	-			
											-	-	-	-	-	31	30	29	-	-	-	25	24	23	22	21	20	-	-	-			
MX123 CONN ASSY 73 CKT GRY OPT0 KEY B/24	345667363	C-HSG-B0	G-CAP-0-P	TPA-B0	RS	LS	MAL	CPA	MSEAL	RSEAL	-	71	-	69	-	67	66	65	64	63	-	-	-	-	58	57	56	-	54	53	SALEABLE		345650003
											-	51	50	49	48	47	-	45	-	-	42	-	-	39	38	37	36	35	34	33			
											-	-	-	-	32	31	30	29	28	27	26	25	24	23	22	21	-	-	-	-			
MX123 CONN ASSY 73 CKT BLK OPT0 KEY A/52	345667373	C-HSG-A0	G-CAP-0-P	TPA-A0	RS	LS	MAL	CPA	MSEAL	RSEAL	-	-	-	-	-	67	-	-	-	63	62	-	-	59	58	-	-	55	-	-	SALEABLE		345650003
											-	-	-	-	-	47	-	-	-	-	-	41	-	-	-	-	-	35	-	-			
											-	-	-	-	32	-	-	-	-	27	-	-	24	-	-	-	-	19	18	17			
MX123 CONN ASSY 73 CKT BLU OPT0 KEY C/38	345667383	C-HSG-C0	G-CAP-0-P	TPA-C0	RS	LS	MAL	CPA	MSEAL	RSEAL	72	-	-	69	68	-	-	-	-	63	62	-	-	59	58	-	56	55	-	53	SALEABLE		345650003
											-	-	-	-	-	-	46	-	-	43	42	-	40	39	38	-	36	35	-	-			
											-	-	-	-	-	31	30	29	-	-	26	-	24	23	22	21	20	19	18	-			
MX123 CONN ASSY 73 CKT GRY OPT0 KEY B/19	345667393	C-HSG-B0	G-CAP-0-P	TPA-B0	RS	LS	MAL	CPA	MSEAL	RSEAL	-	71	70	69	68	67	66	65	64	63	-	-	60	59	58	57	56	-	54	53	SALEABLE		345650003
											-	51	50	49	-	-	-	45	-	-	42	41	-	39	38	37	36	35	34	33			
											-	-	-	-	32	31	30	29	28	27	26	25	24	23	22	21	-	-	-	17			
MX123 CONN ASSY 73 CKT GRY OPT0 KEY B/52	345667403	C-HSG-B0	G-CAP-0-P	TPA-B0	RS	LS	MAL	CPA	MSEAL	RSEAL	72	71	70	69	68	67	66	65	64	63	62	61	60	-	58	-	56	-	54	-	SALEABLE		345650003
											52	51	-	-	-	47	-	45	44	43	42	41	40	-	38	-	36	-	34	-			
											-	-	-	-	32	31	30	-	28	27	26	25	24	-	22	-	20	19	18	17			
MX123 CONN ASSY 73 CKT BLK OPT0 KEY A/53	345667413	C-HSG-A0	G-CAP-0-P	TPA-A0	RS	LS	MAL	CPA	MSEAL	RSEAL	-	-	-	-	-	67	-	-	-	-	62	-	-	59	58	-	-	55	-	-	SALEABLE		345650003
											52	-	-	-	-	47	-	-	-	-	-	41	-	-	-	-	-	35	-	-			
											-	-	-	-	-	-	-	-	27	-	-	24	-	-	-	-	-	19	18	17			
MX123 CONN ASSY 73 CKT BLU OPT0 KEY C/38	345667423	C-HSG-C0	G-CAP-0-P	TPA-C0	RS	LS	MAL	CPA	MSEAL	RSEAL	72	71	-	-	68	-	66	65	-	63	62	-	-	59	58	-	56	55	-	53	SALEABLE		345650003
											-	-	-	-	-	-	-	-	-	43	42	-	40	39	38	-	36	35	-	-			
											-	-	-	-	-	31	30	29	-	-	26	-	24	23	22	21	20	19	-	-			
MX123 CONN ASSY 73 CKT GRY OPT0 KEY B/31	345667433	C-HSG-B0	G-CAP-0-P	TPA-B0	RS	LS	MAL	CPA	MSEAL	RSEAL	-	71	70	69	-	67	66	65	64	63	-	-	-	-	58	57	56	-	54	53	SALEABLE		345650003
											-	51	50	49	-	-	-	45	-	-	42	-	-	39	-	-	-	-	34	33			
											-	-	-	-	32	31	-	29	28	27	26	25	24	23	22	21	-	-	-	-			
MX123 CONN ASSY 73 CKT BLK OPT0 KEY A/50	345667443	C-HSG-A0	G-CAP-0-P	TPA-A0	RS	LS	MAL	CPA	MSEAL	RSEAL	-	-	-	-	-	67	-	-	-	-	62	61	-	59	58	-	-	55	-	53	SALEABLE		345650003
											-	-	-	-	-	47	-	-	-	-	-	41	-	-	-	-	-	35	-	33			
											-	-	-	-	32	-	-	-	-	27	-	-	24	-	-	-	-	19	18	17			
MX123 CONN ASSY 73 CKT BLU OPT0 KEY C/41	345667453	C-HSG-C0	G-CAP-0-P	TPA-C0	RS	LS	MAL	CPA	MSEAL	RSEAL	72	-	-	69	68	-	-	-	-	63	62	-	-	59	-	-	56	55	-	53	SALEABLE		345650003
											-	-	-	-	-	-	46	-	-	43	42	-	40	39	-	-	36	35	-	-			
											-	-	-	-	-	31	30	29	-	-	26	-	24	23	22	21	20	19	-	-			
MX123 CONN ASSY 73 CKT GRY OPT0 KEY B/25	345667463	C-HSG-B0	G-CAP-0-P	TPA-B0	RS	LS	MAL	CPA	MSEAL	RSEAL	-	71	70	69	-	67	66	65	64	63	-	-	60	59	58	57	56	-	54	53	SALEABLE		345650003
											-	51	50	49	-	-	-	45	44	-	42	41	-	39	38	37	36	35	34	33			
											-	-	-	-	32	31	-	29	28	27	26	25	24	23	-	-	-	-	-	17			

ASSEMBLY DESCRIPTION	ASSEMBLY PART NUMBER	CONNECTOR HOUSING	GROMMET CAP	TPA	RIGHT SLIDE	LEFT SLIDE	MATE ASSIST LEVER	CPA	MAT SEAL	RING SEAL	BLOCKED TERMINALS																				STATUS	COMMENTS	INTEGRAL COMPONENTS SOLD SEPARATELY
											CAVITY WITH A NUMBER INDICATES BLOCKED TERMINAL POSITION																						DRESS COVER
											CAVITY WITHOUT A NUMBER INDICATES OPEN TERMINAL POSITION																						
MX123 CONN ASSY 73 CKT GRY OPT0 KEY B/27	345667473	C-HSG-B0	G-CAP-0-P	TPA-B0	RS	LS	MAL	CPA	MSEAL	RSEAL	-	71	70	69	-	-	66	65	64	-	-	60	59	58	57	56	-	54	53	SALEABLE		345650003	
											-	51	50	49	-	-	-	45	44	-	42	41	-	39	38	37	36	35	34				33
															32	31	-	29	28	-	26	25	24	23	-	-	-	-	-				-
MX123 CONN ASSY 73 CKT GRY OPT0 KEY B/26	345667483	C-HSG-B0	G-CAP-0-P	TPA-B0	RS	LS	MAL	CPA	MSEAL	RSEAL	-	71	70	69	-	67	66	65	64	63	-	-	60	59	58	57	56	-	54	53	SALEABLE		345650003
											-	51	50	49	-	-	-	45	44	-	42	41	-	39	38	37	36	35	34	33			
															32	31	-	29	28	27	26	25	24	23	-	-	-	-	-	-			
MX123 CONN ASSY 73 CKT BLU OPT0 KEY C/39	345667493	C-HSG-C0	G-CAP-0-P	TPA-C0	RS	LS	MAL	CPA	MSEAL	RSEAL	72	71	70	-	68	-	66	65	-	63	-	61	-	59	58	-	56	-	-	53	SALEABLE		345650003
											-	-	-	49	-	-	-	-	-	43	-	41	40	39	38	-	36	-	-	-			
															-	31	30	29	-	-	-	25	24	23	22	21	20	-	-	-			
MX123 CONN ASSY 73 CKT BLK OPT0 KEY A/8	345667503	C-HSG-A0	G-CAP-0-P	TPA-A0	RS	LS	MAL	CPA	MSEAL	RSEAL	-	-	-	-	-	-	-	65	-	-	-	61	-	-	-	-	-	-	-	SALEABLE		345650003	
											-	-	-	-	-	-	-	45	-	-	-	41	-	-	-	-	-	-	-				-
															-	-	-	-	-	-	26	25	-	-	-	-	-	-	-				-
MX123 CONN ASSY 73 CKT BLK OPT9 KEY A/50	345667513	C-HSG-A9	G-CAP-9-P	TPA-A9	RS	LS	MAL	CPA	MSEAL	RSEAL	-	-	-	-	-	67	-	-	-	-	62	-	-	59	58	-	-	55	-	-	SALEABLE		345650003
											-	-	-	-	-	47	-	-	-	-	42	41	-	-	-	-	-	35	-	-			
															-	-	-	-	-	27	26	25	24	-	-	-	-	19	18	17			
MX123 CONN ASSY 73 CKT BLK OPT0 KEY A/37	345667523	C-HSG-A0	G-CAP-0-P	TPA-A0	RS	LS	MAL	CPA	MSEAL	RSEAL	-	71	70	69	68	67	66	65	-	63	-	-	60	-	-	-	-	-	-	53	SALEABLE		345650003
											-	-	50	49	-	-	-	-	44	-	42	-	-	39	38	-	36	35	34	-			
															-	31	-	-	28	-	-	-	23	22	21	-	19	18	17				
MX123 CONN ASSY 73 CKT BLK OPT0 KEY A/1	345667543	C-HSG-A0	G-CAP-0-P	TPA-A0	RS	LS	MAL	CPA	MSEAL	RSEAL	72	71	70	69	68	67	66	65	64	63	62	61	60	59	58	57	56	55	54	53	SALEABLE		345650003
											52	51	50	49	48	47	46	45	44	43	42	41	40	39	38	37	36	35	34	33			
															32	31	30	29	28	27	26	25	24	23	22	21	20	19	18	17			
MX123 CONN ASSY 73 CKT GRY OPT0 KEY B/1	345667553	C-HSG-B0	G-CAP-0-P	TPA-B0	RS	LS	MAL	CPA	MSEAL	RSEAL	72	71	70	69	68	67	66	65	64	63	62	61	60	59	58	57	56	55	54	53	SALEABLE		345650003
											52	51	50	49	48	47	46	45	44	43	42	41	40	39	38	37	36	35	34	33			
															32	31	30	29	28	27	26	25	24	23	22	21	20	19	18	17			
MX123 CONN ASSY 73 CKT BLU OPT0 KEY C/1	345667563	C-HSG-C0	G-CAP-0-P	TPA-C0	RS	LS	MAL	CPA	MSEAL	RSEAL	72	71	70	69	68	67	66	65	64	63	62	61	60	59	58	57	56	55	54	53	SALEABLE		345650003
											52	51	50	49	48	47	46	45	44	43	42	41	40	39	38	37	36	35	34	33			
															32	31	30	29	28	27	26	25	24	23	22	21	20	19	18	17			
MX123 CONN ASSY 73 CKT GRY OPT0 KEY B/27	345667573	C-HSG-B0	G-CAP-0-P	TPA-B0	RS	LS	MAL	CPA	MSEAL	RSEAL	-	71	-	69	-	67	66	65	64	63	-	-	60	59	58	57	56	-	54	53	SALEABLE		345650003
											-	51	50	49	-	-	-	45	44	-	42	41	-	39	38	37	36	35	34	33			
															32	31	-	29	28	27	26	25	24	23	-	-	-	-	-	-			
MX123 CONN ASSY 73 CKT BLK OPT9 KEY A/37	345667583	C-HSG-A9	G-CAP-9-P	TPA-A9	RS	LS	MAL	CPA	MSEAL	RSEAL	-	71	-	69	68	-	66	65	64	-	62	61	-	-	-	56	55	54	53	SALEABLE		345650003	
											-	51	50	49	-	-	-	45	44	-	41	-	-	-	-	36	35	34	33				
															-	-	-	-	-	-	26	25	24	23	-	-	20	19	18				17
MX123 CONN ASSY 73 CKT BLK OPT9 KEY A/52	345667593	C-HSG-A9	G-CAP-9-P	TPA-A9	RS	LS	MAL	CPA	MSEAL	RSEAL	-	71	-	-	-	67	66	65	-	63	-	-	60	-	-	-	-	-	-	SALEABLE		345650003	
											-	-	-	49	-	-	-	-	44	-	42	-	-	39	38	-	36	-	34				-
															-	31	-	-	28	-	-	-	23	22	21	-	-	-	-				

ASSEMBLY DESCRIPTION	ASSEMBLY PART NUMBER	CONNECTOR HOUSING	GROMMET CAP	TPA	RIGHT SLIDE	LEFT SLIDE	MATE ASSIST LEVER	CPA	MAT SEAL	RING SEAL	BLOCKED TERMINALS																				STATUS	COMMENTS	INTEGRAL COMPONENTS SOLD SEPARATELY									
											CAVITY WITH A NUMBER INDICATES BLOCKED TERMINAL POSITION																						DRESS COVER									
											CAVITY WITHOUT A NUMBER INDICATES OPEN TERMINAL POSITION																															
MX123 CONN ASSY 73 CKT GRY OPT0 KEY B/48	345667603	C-HSG-B0	G-CAP-0-P	TPA-B0	RS	LS	MAL	CPA	MSEAL	RSEAL	72	71	70	-	-	67	-	65	64	63	62	61	60	-	58	-	56	-	54	-	SALEABLE		345650003									
											52	51	50	-	-	47	-	45	-	43	42	41	40	-	38	-	36	-	34	-												
																					32	31	30	-	-	27	26	25	24	-				22	-	20	19	-	-			
																					16	15	14	13	-	-	-	9	8	-				6	5	4	3	2	1			
MX123 CONN ASSY 73 CKT BLK OPT9 KEY A/64	345667633	C-HSG-A9	G-CAP-9-P	TPA-A9	RS	LS	MAL	CPA	MSEAL	RSEAL	-	-	-	-	-	-	-	-	-	-	62	61	-	-	-	-	-	-	-	-	53	SALEABLE		345650003								
											-	-	-	-	-	-	-	-	-	-	-	-	-	-	-	-	-	-	-	-	-				-	-	-	-	-	-	-	33
																					-	-	-	-	-	-	-	-	24	-	-				-	-	19	-	-			
																					-	-	-	-	-	-	-	10	-	8	-				-	-	3	-	-			
MX123 CONN ASSY 73 CKT GRY OPT9 KEY B/21	345667643	C-HSG-B9	G-CAP-9-P	TPA-B9	RS	LS	MAL	CPA	MSEAL	RSEAL	72	71	70	69	-	-	66	65	-	63	62	61	60	-	-	57	56	55	54	53	SALEABLE		345650003									
											52	51	50	49	48	47	-	-	44	43	42	41	40	-	-	37	36	35	34	33												
																					-	31	-	-	-	-	26	25	24	-				-	21	20	19	18	-			
																					16	15	14	13	12	11	-	9	8	-				6	5	4	3	2	-			
MX123 CONN ASSY 73 CKT GRY OPT0 KEY B/24	345667653	C-HSG-B0	G-CAP-0-P	TPA-B0	RS	LS	MAL	CPA	MSEAL	RSEAL	-	71	-	69	68	67	66	65	64	63	-	-	60	59	58	57	56	-	54	53	SALEABLE		345650003									
											-	51	50	49	-	-	-	45	44	-	42	41	-	39	38	37	36	35	34	33												
																					32	31	-	29	28	27	26	25	24	23				-	-	-	-	-	17			
																					-	-	-	13	12	11	10	9	8	7				-	5	-	3	-	1			
MX123 CONN ASSY 73 CKT GRY OPT0 KEY B/36	345667663	C-HSG-B0	G-CAP-0-P	TPA-B0	RS	LS	MAL	CPA	MSEAL	RSEAL	-	71	-	69	-	67	66	65	64	63	-	-	-	-	58	57	56	-	54	53	SALEABLE		345650003									
											-	51	50	49	-	-	-	45	-	-	42	-	-	39	-	-	-	-	-	-				-	-	-	-	-	-	-		
																					32	31	-	29	28	27	26	25	24	23				-	-	-	-	-	-			
																					-	-	-	13	12	11	10	9	-	7				-	5	-	3	2	-			
MX123 CONN ASSY 73 CKT BLU OPT0 KEY C/46	345667673	C-HSG-C0	G-CAP-0-P	TPA-C0	RS	LS	MAL	CPA	MSEAL	RSEAL	72	-	-	-	68	-	-	-	-	63	62	-	-	-	-	-	56	55	-	53	SALEABLE		345650003									
											-	-	-	-	-	-	-	-	-	-	43	42	-	40	-	-	-	36	35	-				-								
																					-	31	30	29	-	-	26	-	24	-				22	21	20	19	-	-			
																					-	-	-	-	-	-	-	-	-	-				-	6	5	4	3	2	1		
MX123 CONN ASSY 73 CKT GRY OPT9 KEY B/67	345667683	C-HSG-B9	G-CAP-9-P	TPA-B9	RS	LS	MAL	CPA	MSEAL	RSEAL	-	-	-	-	-	-	-	-	-	-	-	-	-	-	58	-	-	-	54	53	SALEABLE		345650003									
											-	-	-	-	-	-	-	-	-	-	-	-	42	-	-	-	-	-	-	-				-	-	-	-	-	-			
																					-	-	-	-	-	27	-	-	-	-				-	-	-	-	-	-			
																					-	-	-	-	-	-	10	-	-	-				-	-	-	-	-	-			
MX123 CONN ASSY 73 CKT BLK OPT9 KEY A/31	345667693	C-HSG-A9	G-CAP-9-P	TPA-A9	RS	LS	MAL	CPA	MSEAL	RSEAL	-	71	70	69	68	67	66	65	-	63	-	-	60	59	58	-	-	-	-	-	53	SALEABLE		345650003								
											-	-	50	49	48	47	-	-	44	-	42	41	-	39	38	-	36	-	-	-	-				-	-	-	-	-			
																					-	31	-	-	28	-	26	-	24	23	22				21	-	19	18	17			
																					-	-	14	-	12	-	-	-	8	7	6				5	-	3	2	1			
MX123 CONN ASSY 73 CKT BLK OPT0 KEY A/26	345667703	C-HSG-A0	G-CAP-0-P	TPA-A0	RS	LS	MAL	CPA	MSEAL	RSEAL	-	-	-	-	-	-	65	-	-	-	61	-	-	58	57	56	-	-	-	SALEABLE		345650003										
											-	51	50	-	-	47	46	45	-	-	-	41	-	-	38	37	36	-	-				-									
																					-	31	30	-	28	-	26	25	-				-	22	21	20	-	-	-			
																					-	15	14	-	-	-	10	-	-				-	-	-	-	-	-	-			
MX123 CONN ASSY 73 CKT BLK OPT9 KEY A/35	345667713	C-HSG-A9	G-CAP-9-P	TPA-A9	RS	LS	MAL	CPA	MSEAL	RSEAL	-	71	70	69	68	67	66	65	-	63	-	-	60	59	58	-	-	-	-	-	53	SALEABLE		345650003								
											-	-	50	49	48	47	-	-	44	-	42	41	-	39	38	-	36	-	-	-	-				-	-	-	-				
																					-	31	-	-	28	-	26	-	24	23	22				21	-	19	18	17			
																					-	-	14	-	12	-	-	-	8	7	6				5	-	3	2	1			
MX123 CONN ASSY 73 CKT BLK OPT9 KEY A/30	345667723	C-HSG-A9	G-CAP-9-P	TPA-A9	RS	LS	MAL	CPA	MSEAL	RSEAL	-	71	70	69	68	67	66	65	-	63	-	-	60	59	58	-	-	-	-	-	53	SALEABLE		345650003								
											-	-	50	49	48	47	-	-	44	-	42	41	-	39	38	-	36	35	34	33												
																					-	31	-	-	28	-	26	-	24	23	22				21	-	19	18	17			
																					-	-	14	-	12	-	-	-	8	7	6				5	-	3	2	1			
MX123 CONN ASSY 73 CKT BLK OPT9 KEY A/34	345667733	C-HSG-A9	G-CAP-9-P	TPA-A9	RS	LS	MAL	CPA	MSEAL	RSEAL	-	71	70	69	68	67	66	65	-	63	-	-	60	59	-	-	-	-	-	53	SALEABLE		345650003									
											-	-	50	49	48	47	-	-	44	-	42	41	-	39	38	-	36	35	34	33												
																					-	31	-	-	28	-	26	-	24	23				22	21	-	19	18	17			
																					-	-	14	-	12	-	-	-	8	7				6	5	-	3	2	1			

ASSEMBLY DESCRIPTION	ASSEMBLY PART NUMBER	CONNECTOR HOUSING	GROMMET CAP	TPA	RIGHT SLIDE	LEFT SLIDE	MATE ASSIST LEVER	CPA	MAT SEAL	RING SEAL	BLOCKED TERMINALS																			STATUS	COMMENTS	INTEGRAL COMPONENTS SOLD SEPARATELY	
											CAVITY WITH A NUMBER INDICATES BLOCKED TERMINAL POSITION																					DRESS COVER	
											CAVITY WITHOUT A NUMBER INDICATES OPEN TERMINAL POSITION																						
MX123 CONN ASSY 73 CKT BLU OPT9 KEY C/39	345667993	C-HSG-C9	G-CAP-9-P	TPA-C9	RS	LS	MAL	CPA	MSEAL	RSEAL	72	71	-	-	68	-	-	65	-	63	62	-	-	59	58	-	56	55	-	53	SALEABLE		345650003
											-	-	-	-	-	-	-	-	-	43	42	-	40	39	38	-	36	35	-	-			
											-	-	-	-	-	-	-	-	-	-	-	-	-	-	-	-	-	6	5	4			
MX123 CONN ASSY 73 CKT BLK OPT0 KEY A/33	345668003	C-HSG-A0	G-CAP-0-P	TPA-A0	RS	LS	MAL	CPA	MSEAL	RSEAL	72	71	70	-	-	67	66	-	-	-	62	-	-	-	-	57	-	55	54	53	SALEABLE		345650003
											-	51	-	-	-	-	46	45	44	43	42	-	40	39	-	-	-	35	-	-			
											-	-	-	-	-	-	-	-	-	-	26	25	-	-	22	21	-	-	-	-			
MX123 CONN ASSY 73 CKT BLU OPT9 KEY C/38	345668013	C-HSG-C9	G-CAP-9-P	TPA-C9	RS	LS	MAL	CPA	MSEAL	RSEAL	72	-	70	69	68	-	66	-	-	63	62	-	-	-	58	-	56	55	-	53	SALEABLE		345650003
											-	-	-	49	-	-	46	-	-	43	42	-	40	-	38	-	36	35	-	-			
											-	-	-	-	-	-	-	-	-	-	26	25	-	-	22	21	20	19	-	-			
MX123 CONN ASSY 73 CKT BLU OPT9 KEY C/35	345668023	C-HSG-C9	G-CAP-9-P	TPA-C9	RS	LS	MAL	CPA	MSEAL	RSEAL	-	71	70	-	-	67	66	65	64	-	-	61	60	-	58	57	-	-	54	-	SALEABLE		345650003
											52	51	50	49	48	47	-	45	44	-	-	41	-	-	38	37	-	-	34	33			
											-	-	-	-	32	-	-	-	28	27	-	25	-	-	-	-	-	-	-	18			
MX123 CONN ASSY 73 CKT GRY OPT9 KEY B/39	345668033	C-HSG-B9	G-CAP-9-P	TPA-B9	RS	LS	MAL	CPA	MSEAL	RSEAL	72	-	-	-	68	-	-	-	-	62	61	60	59	-	-	-	55	-	53	SALEABLE		345650003	
											52	-	-	-	48	47	46	-	44	43	-	41	40	-	38	37	36	35	-				-
											-	-	-	-	-	-	30	-	-	-	-	-	-	-	22	21	20	19	18				17
MX123 CONN ASSY 73 CKT BLK OPT9 KEY A/28	345668043	C-HSG-A9	G-CAP-9-P	TPA-A9	RS	LS	MAL	CPA	MSEAL	RSEAL	72	71	70	69	68	-	66	65	64	63	-	-	60	-	-	57	56	-	54	-	SALEABLE		345650003
											52	51	50	49	48	-	46	45	44	43	-	41	40	39	38	37	36	-	34	-			
											-	-	-	-	32	31	30	29	28	-	-	-	-	23	22	21	-	-	-	-			
MX123 CONN ASSY 73 CKT BLU OPT9 KEY A/27	345668053	C-HSG-A9	G-CAP-9-P	TPA-A9	RS	LS	MAL	CPA	MSEAL	RSEAL	-	71	70	69	-	-	-	65	64	63	62	61	60	-	58	57	56	55	54	53	SALEABLE		345650003
											52	51	50	49	48	47	-	45	44	43	42	41	-	39	-	37	36	-	34	-			
											-	-	-	-	32	-	30	29	28	27	26	-	24	-	-	-	-	-	-	18			
MX123 CONN ASSY 73 CKT BLU OPT9 KEY C/30	345668063	C-HSG-C9	G-CAP-9-P	TPA-C9	RS	LS	MAL	CPA	MSEAL	RSEAL	72	-	70	-	68	67	66	-	-	63	62	-	-	59	-	57	-	-	-	53	SALEABLE		345650003
											52	51	-	49	48	47	46	-	44	-	-	41	40	39	-	37	36	-	34	33			
											-	-	-	-	32	-	30	-	-	27	26	25	24	-	22	21	20	-	-	-			
MX123 CONN ASSY 73 CKT GRY OPT9 KEY B/21	345668073	C-HSG-B9	G-CAP-9-P	TPA-B9	RS	LS	MAL	CPA	MSEAL	RSEAL	72	71	70	-	68	67	66	-	-	62	61	60	59	58	57	56	55	54	53	SALEABLE		345650003	
											52	51	50	-	48	47	46	-	-	42	41	40	39	38	37	36	35	34	33				
											-	-	-	-	32	31	30	29	28	27	26	25	24	-	-	-	-	-	18				17
MX123 CONN ASSY 73 CKT GRY OPT9 KEY B/11	345668083	C-HSG-B9	G-CAP-9-P	TPA-B9	RS	LS	MAL	CPA	MSEAL	RSEAL	72	71	70	69	68	67	66	65	64	63	-	61	60	-	-	57	56	55	-	-	SALEABLE		345650003
											52	51	50	49	48	47	46	45	44	43	-	41	40	-	38	37	36	35	34	33			
											-	-	-	-	32	31	30	29	28	-	26	25	24	23	22	21	20	19	18	17			
MX123 CONN ASSY 73 CKT BLK OPT9 KEY A/37	345668093	C-HSG-A9	G-CAP-9-P	TPA-A9	RS	LS	MAL	CPA	MSEAL	RSEAL	72	-	70	-	-	67	-	-	-	63	-	-	60	59	58	57	56	55	-	-	SALEABLE		345650003
											52	51	-	-	48	47	46	-	-	43	42	-	40	39	38	37	36	35	-	-			
											-	-	-	-	-	-	-	-	28	27	-	-	-	-	22	21	-	-	18	17			
MX123 CONN ASSY 73 CKT BLU OPT9 KEY C/34	345668113	C-HSG-C9	G-CAP-9-P	TPA-C9	RS	LS	MAL	CPA	MSEAL	RSEAL	72	71	70	69	-	67	66	65	64	-	-	-	-	-	-	56	-	54	-	SALEABLE		345650003	
											52	51	50	49	-	47	46	45	44	-	-	-	-	39	38	-	-	-	34				-
											-	-	-	-	-	31	30	29	28	-	26	25	-	23	22	21	-	-	-				-

ASSEMBLY DESCRIPTION	ASSEMBLY PART NUMBER	CONNECTOR HOUSING	GROMMET CAP	TPA	RIGHT SLIDE	LEFT SLIDE	MATE ASSIST LEVER	CPA	MAT SEAL	RING SEAL	BLOCKED TERMINALS																		STATUS	COMMENTS	INTEGRAL COMPONENTS SOLD SEPARATELY		
											CAVITY WITH A NUMBER INDICATES BLOCKED TERMINAL POSITION																				DRESS COVER		
											CAVITY WITHOUT A NUMBER INDICATES OPEN TERMINAL POSITION																						
MX123 CONN ASSY 73 CKT BLK OPT9 KEY A/33	345668363	C-HSG-A9	G-CAP-9-P	TPA-A9	RS	LS	MAL	CPA	MSEAL	RSEAL	-	71	70	69	-	67	66	65	-	63	-	-	60	59	58	-	-	-	-	-			
											-	-	50	49	48	47	-	-	44	-	42	41	-	39	38	-	36	35	34	33			
																													-	31	-	-	28
MX123 CONN ASSY 73 CKT BLK OPT9 KEY A/36	345668373	C-HSG-A9	G-CAP-9-P	TPA-A9	RS	LS	MAL	CPA	MSEAL	RSEAL	-	71	70	69	68	67	66	65	-	63	-	-	60	-	-	-	-	-	53				
											-	-	50	49	-	47	-	-	44	-	42	-	-	39	38	-	36	-	-	33			
																													-	31	-	-	28
MX123 CONN ASSY 73 CKT BLK OPT9 KEY A/32	345668383	C-HSG-A9	G-CAP-9-P	TPA-A9	RS	LS	MAL	CPA	MSEAL	RSEAL	-	71	70	69	68	67	66	65	-	63	-	-	60	-	58	-	-	-	53				
											-	-	50	49	48	47	-	-	44	-	42	41	-	39	38	-	36	-	-	33			
																													-	31	-	-	28
MX123 CONN ASSY 73 CKT BLK OPT9 KEY A/44	345668393	C-HSG-A0	G-CAP-0-P	TPA-A0	RS	LS	MAL	CPA	MSEAL	RSEAL	-	71	-	69	68	67	66	65	64	-	-	61	60	59	58	57	-	-	-	-			
											-	-	50	-	-	47	46	45	44	-	42	41	40	39	38	37	-	-	-	-			
																													32	-	-	-	-
MX123 CONN ASSY 73 CKT GRY OPT0 KEY B/48	345668403	C-HSG-B0	G-CAP-0-P	TPA-B0	RS	LS	MAL	CPA	MSEAL	RSEAL	72	71	70	69	68	67	66	-	-	63	62	61	60	-	58	-	56	-	54	-			
											52	51	-	-	-	47	-	45	44	43	42	41	40	-	38	-	36	-	34	-			
																													-	31	30	-	28
MX123 CONN ASSY 73 CKT BLK OPT0 KEY A/43	345668413	C-HSG-A0	G-CAP-0-P	TPA-A0	RS	LS	MAL	CPA	MSEAL	RSEAL	-	71	-	69	68	67	66	65	64	-	-	61	60	59	58	57	-	-	-	-			
											-	-	50	-	-	47	46	45	44	-	42	41	40	39	38	37	-	-	-	-			
																													32	-	-	-	-
MX123 CONN ASSY 73 CKT BLU OPT0 KEY C/36	345668423	C-HSG-C0	G-CAP-0-P	TPA-C0	RS	LS	MAL	CPA	MSEAL	RSEAL	72	71	70	-	68	-	66	65	-	63	-	-	-	59	58	-	56	55	-	53			
											-	-	-	-	-	47	-	-	-	43	-	-	40	39	38	-	36	35	-	-			
																													32	31	30	29	-
MX123 CONN ASSY 73 CKT BLU OPT0 KEY C/45	345668443	C-HSG-C0	G-CAP-0-P	TPA-C0	RS	LS	MAL	CPA	MSEAL	RSEAL	72	-	-	69	68	-	-	-	-	63	62	-	-	-	-	56	55	-	53				
											-	-	-	49	-	-	46	-	-	43	42	-	40	-	-	-	36	35	-	-			
																													-	31	30	29	-
MX123 CONN ASSY 73 CKT BLK OPT0 KEY A/48	345668453	C-HSG-A0	G-CAP-0-P	TPA-A0	RS	LS	MAL	CPA	MSEAL	RSEAL	-	-	-	-	-	67	-	-	-	-	62	61	-	59	58	-	-	55	-	53			
											-	-	-	-	-	47	-	-	-	-	41	-	-	-	-	-	35	-	33				
																													-	-	-	-	-
MX123 CONN ASSY 73 CKT GRY OPT0 KEY B/34	345668463	C-HSG-B0	G-CAP-0-P	TPA-B0	RS	LS	MAL	CPA	MSEAL	RSEAL	-	71	-	69	-	67	66	65	64	63	-	-	-	-	58	57	56	-	54	53			
											-	51	50	49	-	-	-	45	-	-	42	-	-	39	-	-	-	-	34	33			
																													32	31	-	29	28
MX123 CONN ASSY 73 CKT BLU OPT0 KEY C/49	345668473	C-HSG-C0	G-CAP-0-P	TPA-C0	RS	LS	MAL	CPA	MSEAL	RSEAL	72	-	-	69	68	-	-	-	-	63	-	-	-	59	-	-	56	-	-	53			
											-	-	-	-	-	46	-	-	43	-	-	40	39	-	-	36	-	-	-				
																													-	31	30	29	-
MX123 CONN ASSY 73 CKT BLK OPT0 KEY A/51	345668483	C-HSG-A0	G-CAP-0-P	TPA-A0	RS	LS	MAL	CPA	MSEAL	RSEAL	-	-	-	-	-	67	-	-	-	-	62	-	-	59	58	-	-	55	-	-			
											-	-	-	-	-	47	-	-	-	-	41	-	-	-	-	35	-	-					
																													-	-	-	-	-

ASSEMBLY DESCRIPTION	ASSEMBLY PART NUMBER	CONNECTOR HOUSING	GROMMET CAP	TPA	RIGHT SLIDE	LEFT SLIDE	MATE ASSIST LEVER	CPA	MAT SEAL	RING SEAL	BLOCKED TERMINALS																		STATUS	COMMENTS	INTEGRAL COMPONENTS SOLD SEPARATELY		
											CAVITY WITH A NUMBER INDICATES BLOCKED TERMINAL POSITION																				DRESS COVER		
											CAVITY WITHOUT A NUMBER INDICATES OPEN TERMINAL POSITION																						
MX123 CONN ASSY 73 CKT GRY OPT0 KEY B/31	345668493	C-HSG-B0	G-CAP-0-P	TPA-B0	RS	LS	MAL	CPA	MSEAL	RSEAL	-	71	-	69	-	-	66	65	64	63	-	-	-	-	58	57	56	-	54	53	SALEABLE		345650003
											-	51	50	49	-	-	-	45	-	-	42	41	-	39	38	37	36	35	34	-			
															32	31	-	29	28	27	26	25	24	23	-	-	-	-	-	-			
MX123 CONN ASSY 73 CKT GRY OPT0 KEY B/27	345668503	C-HSG-B0	G-CAP-0-P	TPA-B0	RS	LS	MAL	CPA	MSEAL	RSEAL	-	-	-	-	-	-	-	-	-	-	-	61	-	-	58	57	56	-	-	-	SALEABLE		345650003
											-	51	50	-	-	47	46	45	-	-	-	41	40	-	38	37	36	-	-	-			
															31	30	-	28	-	26	25	-	-	22	21	20	-	-	-	-			
MX123 CONN ASSY 73 CKT BLK OPT9 KEY A/48	345668513	C-HSG-A9	G-CAP-9-P	TPA-A9	RS	LS	MAL	CPA	MSEAL	RSEAL	-	-	-	-	-	67	-	-	-	-	62	-	-	59	58	-	-	55	-	-	SALEABLE		345650003
											-	-	-	-	-	47	-	-	-	-	42	41	-	-	-	-	35	-	-				
															31	30	-	27	26	25	-	-	21	20	19	18	17	-	-				
MX123 CONN ASSY 73 CKT GRY OPT9 KEY B/27	345668523	C-HSG-B9	G-CAP-9-P	TPA-B9	RS	LS	MAL	CPA	MSEAL	RSEAL	-	71	-	69	-	67	66	65	64	63	-	-	60	59	58	57	56	-	54	53	SALEABLE		345650003
											-	51	50	49	-	-	-	45	44	-	42	41	-	39	38	37	36	35	34	33			
															32	31	-	29	28	27	26	25	24	23	-	-	-	-	-	-			
MX123 CONN ASSY 73 CKT BLU OPT9 KEY C/35	345668533	C-HSG-C9	G-CAP-9-P	TPA-C9	RS	LS	MAL	CPA	MSEAL	RSEAL	72	71	-	69	68	-	-	-	-	63	62	-	-	59	58	-	56	55	-	53	SALEABLE		345650003
											-	-	-	-	-	-	46	-	-	43	42	-	40	39	38	-	36	35	-	-			
															31	30	29	-	-	26	-	24	23	22	21	20	19	-	-	-			
MX123 CONN ASSY 73 CKT BLU OPT9 KEY C/35	345668543	C-HSG-C9	G-CAP-9-P	TPA-C9	RS	LS	MAL	CPA	MSEAL	RSEAL	72	-	70	-	68	-	-	-	-	63	62	61	-	59	58	-	56	55	-	53	SALEABLE		345650003
											-	-	-	-	-	-	-	-	-	43	42	41	40	39	38	-	36	35	-	-			
															31	30	29	-	-	26	25	24	23	22	21	20	19	18	17	-			
MX123 CONN ASSY 73 CKT GRY OPT0 KEY B/22	345668553	C-HSG-B0	G-CAP-0-P	TPA-B0	RS	LS	MAL	CPA	MSEAL	RSEAL	-	71	70	69	-	67	66	65	64	63	-	-	-	-	58	57	56	-	54	53	SALEABLE		345650003
											-	51	50	49	48	47	-	45	44	-	42	-	-	39	38	37	36	35	34	33			
															32	31	30	29	28	27	26	25	24	23	-	-	-	19	18	17			
MX123 CONN ASSY 73 CKT BLK OPT0 KEY A/35	345668563	C-HSG-A0	G-CAP-0-P	TPA-A0	RS	LS	MAL	CPA	MSEAL	RSEAL	-	71	-	69	68	-	66	65	64	-	62	61	-	-	-	-	-	54	53	SALEABLE		345650003	
											-	-	50	49	-	-	-	45	44	-	41	-	-	-	-	-	-	-	34				33
															32	31	30	29	-	27	26	25	24	23	-	-	20	19	-				-
MX123 CONN ASSY 73 CKT GRY OPT0 KEY B/59	345668573	C-HSG-B0	G-CAP-0-P	TPA-B0	RS	LS	MAL	CPA	MSEAL	RSEAL	-	-	-	-	-	-	-	-	-	-	62	-	-	-	58	-	-	-	54	53	SALEABLE		345650003
											-	-	-	-	-	-	-	-	-	42	-	-	-	-	-	-	-	-	34	-			
															31	30	-	27	-	25	-	-	-	-	-	-	-	18	17	-			
MX123 CONN ASSY 73 CKT BLU OPT0 KEY C/44	345668583	C-HSG-C0	G-CAP-0-P	TPA-C0	RS	LS	MAL	CPA	MSEAL	RSEAL	-	-	-	-	68	-	-	-	-	63	62	61	-	59	58	57	-	55	-	53	SALEABLE		345650003
											-	-	-	-	48	-	-	-	-	43	42	41	-	-	-	37	36	35	-	33			
															32	-	-	29	-	27	-	-	-	-	-	-	20	19	18	-			
MX123 CONN ASSY 73 CKT GRY OPT0 KEY B/32	345668593	C-HSG-B0	G-CAP-0-P	TPA-B0	RS	LS	MAL	CPA	MSEAL	RSEAL	-	71	70	69	-	67	66	65	64	63	-	-	-	-	58	57	56	-	54	53	SALEABLE		345650003
											-	51	50	49	-	-	-	45	44	-	42	-	-	39	-	-	-	-	34	33			
															32	31	-	29	28	27	26	25	24	23	-	-	-	-	-	17			
MX123 CONN ASSY 73 CKT BLK OPT0 KEY A/47	345668603	C-HSG-A0	G-CAP-0-P	TPA-A0	RS	LS	MAL	CPA	MSEAL	RSEAL	72	71	70	-	-	67	-	65	64	63	62	61	60	-	58	-	56	-	54	-	SALEABLE		345650003
											52	51	50	-	-	47	-	45	-	43	42	41	40	-	-	-	36	-	34	-			
															32	31	30	-	27	26	25	24	-	22	-	20	19	-	-	-			
											16	15	14	13	-	-	-	9	8	-	6	5	4	3	2	1							

ASSEMBLY DESCRIPTION	ASSEMBLY PART NUMBER	CONNECTOR HOUSING	GROMMET CAP	TPA	RIGHT SLIDE	LEFT SLIDE	MATE ASSIST LEVER	CPA	MAT SEAL	RING SEAL	BLOCKED TERMINALS																				STATUS	COMMENTS	INTEGRAL COMPONENTS SOLD SEPARATELY	
											CAVITY WITH A NUMBER INDICATES BLOCKED TERMINAL POSITION										CAVITY WITHOUT A NUMBER INDICATES OPEN TERMINAL POSITION												DRESS COVER	
MX123 CONN ASSY 73 CKT BLU OPT0 KEY C/43	345668613	C-HSG-C0	G-CAP-0-P	TPA-C0	RS	LS	MAL	CPA	MSEAL	RSEAL	72	-	-	69	68	-	-	-	-	63	62	-	-	-	-	-	56	55	-	53	SALEABLE		345650003	
											-	-	-	49	-	-	46	-	-	43	42	-	40	-	-	-	-	36	35	-				-
																					-	31	30	29	-	-	26	-	24	-				22
MX123 CONN ASSY 73 CKT BLU OPT9 KEY C/31	345668623	C-HSG-C9	G-CAP-9-P	TPA-C9	RS	LS	MAL	CPA	MSEAL	RSEAL	72	71	70	69	-	67	66	-	64	-	-	-	60	-	-	-	-	54	-	SALEABLE		345650003		
											52	51	50	49	-	47	46	-	44	-	-	-	40	39	38	-	-	-	-				-	
																					-	-	30	29	28	27	26	25	24				23	22
MX123 CONN ASSY 73 CKT GRY OPT0 KEY B/22	345668633	C-HSG-B0	G-CAP-0-P	TPA-B0	RS	LS	MAL	CPA	MSEAL	RSEAL	-	71	70	69	68	67	66	65	64	63	-	-	60	59	58	57	56	55	54	53	SALEABLE		345650003	
											-	51	50	49	-	-	-	45	44	-	42	41	-	39	38	37	36	35	34	33				
																					32	31	-	29	28	27	26	25	24	23				-
MX123 CONN ASSY 73 CKT BLU OPT0 KEY C/37	345668643	C-HSG-C0	G-CAP-0-P	TPA-C0	RS	LS	MAL	CPA	MSEAL	RSEAL	72	-	-	69	68	-	-	65	-	63	62	-	-	59	58	-	56	55	-	53	SALEABLE		345650003	
											-	-	-	-	-	47	46	-	-	43	42	-	40	39	38	-	36	35	-	-				
																					-	31	30	29	-	-	26	-	24	23				22
MX123 CONN ASSY 73 CKT BLU OPT9 KEY C/36	345668653	C-HSG-C9	G-CAP-9-P	TPA-C9	RS	LS	MAL	CPA	MSEAL	RSEAL	72	-	70	-	68	-	-	-	-	62	-	-	59	58	-	56	55	54	53	SALEABLE		345650003		
											-	-	-	49	-	-	-	-	44	-	42	-	40	39	38	-	36	35	-				-	
																					32	31	30	29	-	-	26	-	24				23	22
MX123 CONN ASSY 73 CKT GRY OPT0 KEY B/46	345668663	C-HSG-B0	G-CAP-0-P	TPA-B0	RS	LS	MAL	CPA	MSEAL	RSEAL	-	-	-	-	68	67	66	65	-	-	62	-	-	59	-	-	-	54	53	SALEABLE		345650003		
											-	-	-	-	48	47	46	45	44	-	42	41	40	39	-	-	-	35	34				-	
																					-	31	-	-	-	27	-	-	-				-	-
MX123 CONN ASSY 73 CKT NAT OPT0 KEY F/45	345668673	C-HSG-F0	G-CAP-0-P	TPA-F0	RS	LS	MAL	CPA	MSEAL	RSEAL	-	71	-	69	-	-	-	65	64	-	-	61	60	-	58	-	56	55	54	-	SALEABLE		345650003	
											-	-	50	-	-	-	-	45	-	43	42	-	-	-	38	-	-	-	-	-				
																					-	31	-	29	28	-	-	-	-	23				-
MX123 CONN ASSY 73 CKT GRY OPT0 KEY B/45	345668683	C-HSG-B0	G-CAP-0-P	TPA-B0	RS	LS	MAL	CPA	MSEAL	RSEAL	-	71	-	69	-	-	-	65	64	-	-	61	60	-	58	-	56	55	54	-	SALEABLE		345650003	
											-	-	50	-	-	-	-	45	-	43	42	-	-	-	38	-	-	-	-	-				
																					-	31	-	29	28	-	-	-	-	23				-
MX123 CONN ASSY 73 CKT BLK OPT0 KEY A/45	345668693	C-HSG-A0	G-CAP-0-P	TPA-A0	RS	LS	MAL	CPA	MSEAL	RSEAL	-	71	-	69	-	-	-	65	64	-	-	61	60	-	58	-	56	55	54	-	SALEABLE		345650003	
											-	-	50	-	-	-	-	45	-	43	42	-	-	-	38	-	-	-	-	-				
																					-	31	-	29	28	-	-	-	-	23				-
MX123 CONN ASSY 73 CKT GRY OPT0 KEY B/42	345668703	C-HSG-B0	G-CAP-0-P	TPA-B0	RS	LS	MAL	CPA	MSEAL	RSEAL	72	71	70	-	-	67	-	65	-	63	62	61	60	-	58	-	56	-	54	-	SALEABLE		345650003	
											52	51	-	-	-	-	46	45	-	43	42	41	40	-	38	-	36	-	34	-				
																					32	31	30	-	-	27	26	25	24	-				22
MX123 CONN ASSY 73 CKT GRY OPT9 KEY B/46	345668713	C-HSG-B9	G-CAP-9-P	TPA-B9	RS	LS	MAL	CPA	MSEAL	RSEAL	-	-	-	-	68	67	66	65	-	-	62	-	-	59	-	-	-	54	53	SALEABLE		345650003		
											-	-	-	-	48	47	46	45	44	-	42	41	40	39	-	-	-	35	34				-	
																					-	31	-	-	-	27	-	-	-				-	-
MX123 CONN ASSY 73 CKT BLU OPT0 KEY C/36	345668723	C-HSG-C0	G-CAP-0-P	TPA-C0	RS	LS	MAL	CPA	MSEAL	RSEAL	72	-	-	69	68	67	-	65	-	63	62	-	-	59	58	-	56	55	-	53	SALEABLE		345650003	
											-	-	-	-	-	47	46	-	-	43	42	-	40	39	38	-	36	35	-	-				
																					-	31	30	29	-	-	26	-	24	23				22

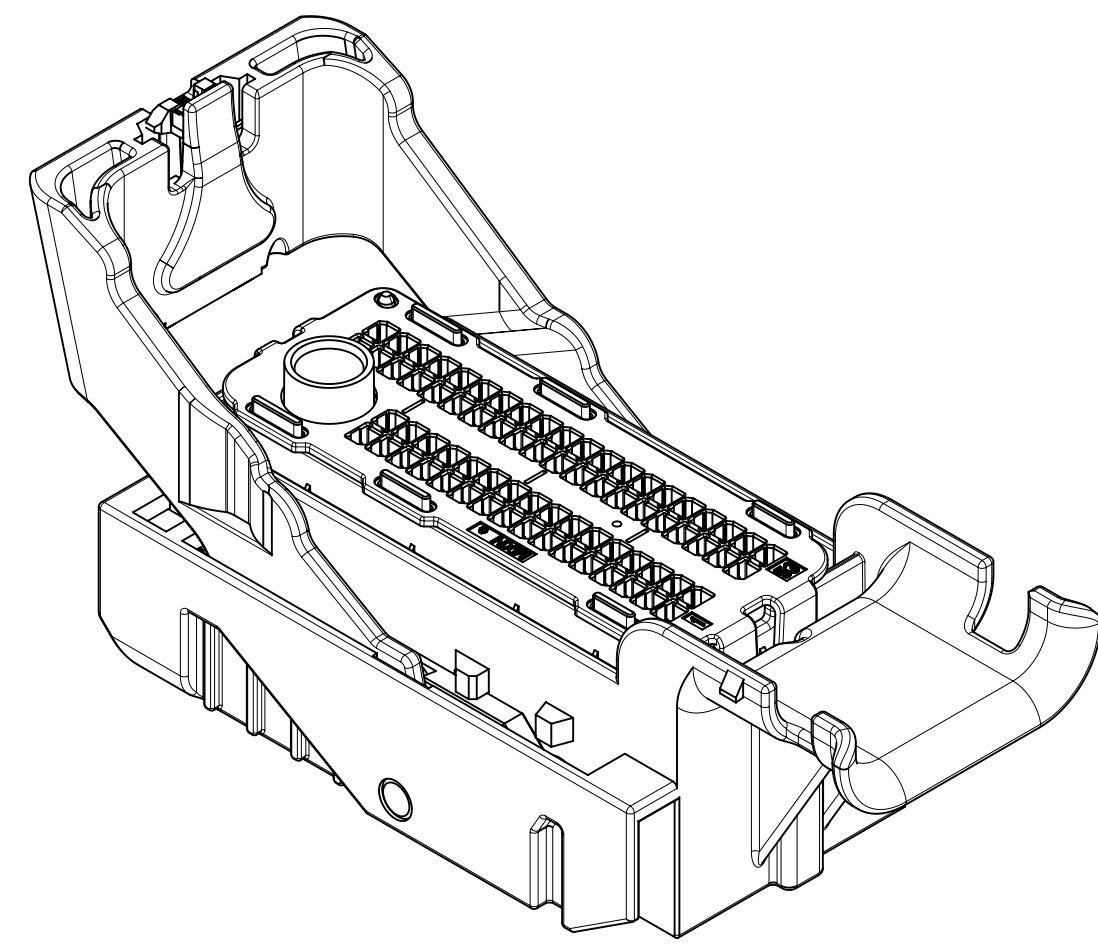
ASSEMBLY DESCRIPTION	ASSEMBLY PART NUMBER	CONNECTOR HOUSING	GROMMET CAP	TPA	RIGHT SLIDE	LEFT SLIDE	MATE ASSIST LEVER	CPA	MAT SEAL	RING SEAL	BLOCKED TERMINALS																			STATUS	COMMENTS	INTEGRAL COMPONENTS SOLD SEPARATELY		
											CAVITY WITH A NUMBER INDICATES BLOCKED TERMINAL POSITION																					DRESS COVER		
											CAVITY WITHOUT A NUMBER INDICATES OPEN TERMINAL POSITION																							
MX123 CONN ASSY 73 CKT BLK OPT0 KEY A/49	345668733	C-HSG-A0	G-CAP-0-P	TPA-A0	RS	LS	MAL	CPA	MSEAL	RSEAL	-	-	-	-	-	67	-	-	-	-	62	61	-	59	58	-	-	55	-	53	SALEABLE		345650003	
											-	-	-	-	-	47	-	-	-	-	-	41	-	-	-	-	-	35	-	33				
											-	-	-	-	-	-	-	27	26	25	24	-	-	-	-	-	19	18	17					
											-	-	-	-	-	16	-	-	-	-	11	10	9	8	-	-	-	-	-	-	1			
MX123 CONN ASSY 73 CKT BLU OPT0 KEY C/41	345668743	C-HSG-C0	G-CAP-0-P	TPA-C0	RS	LS	MAL	CPA	MSEAL	RSEAL	-	-	-	-	68	-	-	65	-	63	62	61	60	59	58	57	56	55	-	53	SALEABLE		345650003	
											-	-	-	-	48	-	-	45	-	43	42	41	40	-	-	37	36	35	34	33				
											-	-	-	-	32	31	-	-	-	-	-	-	-	-	-	-	20	19	18	-				
											-	-	-	-	-	-	-	-	-	-	-	-	-	-	-	-	4	3	2	1				
MX123 CONN ASSY 73 CKT GRY OPT0 KEY B/56	345668753	C-HSG-B0	G-CAP-0-P	TPA-B0	RS	LS	MAL	CPA	MSEAL	RSEAL	-	-	-	-	-	-	-	-	-	-	62	-	-	59	-	-	-	-	-	SALEABLE		345650003		
											-	-	-	-	-	-	-	-	-	-	42	41	-	39	38	-	-	-	-				-	
											-	-	-	-	-	31	-	-	-	27	-	-	-	23	22	-	20	-	18				17	
											-	-	-	-	-	15	-	-	-	-	-	-	-	7	-	-	4	3	-	-				
MX123 CONN ASSY 73 CKT BLK OPT0 KEY A/45	345668763	C-HSG-A0	G-CAP-0-P	TPA-A0	RS	LS	MAL	CPA	MSEAL	RSEAL	-	-	-	69	68	-	-	65	64	63	62	61	60	-	-	-	-	-	-	SALEABLE		345650003		
											-	-	-	49	48	-	-	45	44	43	42	41	40	-	38	-	-	-	34				-	
											-	-	-	-	-	-	-	-	-	-	-	25	24	23	22	-	20	19	-				-	
											-	-	-	-	-	-	-	-	-	-	9	-	-	6	5	4	-	-	-	-				
MX123 CONN ASSY 73 CKT GRY OPT9 KEY B/29	345668773	C-HSG-B9	G-CAP-9-P	TPA-B9	RS	LS	MAL	CPA	MSEAL	RSEAL	-	71	-	69	-	67	66	65	64	63	-	-	-	58	57	56	-	54	53	SALEABLE		345650003		
											-	51	50	49	-	-	-	45	44	-	42	41	-	39	38	37	36	35	34				33	
											-	-	-	-	32	31	-	29	28	27	26	25	24	23	-	-	-	-	-				-	
											-	-	-	-	-	-	13	12	11	10	9	-	7	-	5	-	3	-	1					
MX123 CONN ASSY 73 CKT BLK OPT9 KEY A/48	345668783	C-HSG-A9	G-CAP-9-P	TPA-A9	RS	LS	MAL	CPA	MSEAL	RSEAL	-	-	-	-	-	67	-	-	-	-	62	-	-	59	58	-	-	55	-	-	SALEABLE		345650003	
											-	-	-	-	-	47	-	-	-	-	42	41	-	-	-	-	-	35	-	-				
											-	-	-	-	-	-	-	27	26	25	24	-	-	-	20	19	18	17						
											-	-	-	-	-	16	-	-	-	-	11	10	9	8	-	-	4	3	-	1				
MX123 CONN ASSY 73 CKT BLU OPT9 KEY C/38	345668793	C-HSG-C9	G-CAP-9-P	TPA-C9	RS	LS	MAL	CPA	MSEAL	RSEAL	72	-	-	69	68	-	-	-	64	63	62	-	-	59	58	-	56	55	-	53	SALEABLE		345650003	
											-	-	-	-	-	-	46	-	-	43	42	-	40	39	38	-	36	35	-	-				
											-	-	-	-	-	31	30	29	-	-	26	-	24	23	22	21	20	19	-	-				
											-	-	-	-	-	-	-	-	-	-	-	-	-	-	6	5	4	3	2	1				
MX123 CONN ASSY 73 CKT GRY OPT0 KEY B/34	345668803	C-HSG-B0	G-CAP-0-P	TPA-B0	RS	LS	MAL	CPA	MSEAL	RSEAL	72	71	70	69	-	-	-	-	64	63	62	61	60	-	-	-	56	55	-	-	SALEABLE		345650003	
											52	-	-	-	-	47	-	-	44	-	-	41	-	-	-	-	36	35	34	-				
											-	-	-	-	-	-	-	29	28	27	-	25	-	-	-	21	-	19	18	17				
											-	-	-	-	-	15	14	-	12	11	-	-	-	-	-	-	-	3	2	1				
MX123 CONN ASSY 73 CKT GRY OPT9 KEY B/61	345668813	C-HSG-B9	G-CAP-9-P	TPA-B9	RS	LS	MAL	CPA	MSEAL	RSEAL	-	-	-	-	-	66	-	-	-	-	62	-	-	-	58	-	-	-	-	SALEABLE		345650003		
											-	-	-	-	-	-	-	-	-	-	-	41	-	-	38	37	-	-	-				-	
											-	-	-	-	-	-	-	-	-	-	-	-	-	-	-	20	19	18	17					
											-	-	-	-	-	-	-	-	-	-	-	-	-	-	-	5	-	-	-	1				
MX123 CONN ASSY 73 CKT BLU OPT9 KEY C/42	345668823	C-HSG-C9	G-CAP-9-P	TPA-C9	RS	LS	MAL	CPA	MSEAL	RSEAL	-	-	-	-	68	-	-	65	-	63	62	61	-	59	58	57	56	55	-	53	SALEABLE		345650003	
											-	-	-	-	48	-	-	45	-	43	42	41	-	-	38	37	36	35	34	33				
											-	-	-	-	32	31	-	-	-	-	-	-	-	-	-	-	20	19	18	-				
											-	-	-	-	-	-	-	-	-	-	-	-	-	-	-	-	4	3	2	1				
MX123 CONN ASSY 73 CKT BLU OPT9 KEY C/49	345668833	C-HSG-C9	G-CAP-9-P	TPA-C9	RS	LS	MAL	CPA	MSEAL	RSEAL	-	71	-	69	-	-	-	65	64	-	-	61	60	-	58	-	56	55	-	-	SALEABLE		345650003	
											-	-	50	-	-	-	-	45	-	43	42	-	-	-	38	-	-	-	-	-				
											-	-	-	-	-	31	-	29	28	-	-	-	-	23	-	-	-	19	18	-				
											-	-	-	-	-	16	-	-	-	12	11	-	-	-	-	-	-	3	-	-				
MX123 CONN ASSY 73 CKT BLU OPT0 KEY C/42	345668843	C-HSG-C0	G-CAP-0-P	TPA-C0	RS	LS	MAL	CPA	MSEAL	RSEAL	-	-	-	-	68	-	-	65	-	63	62	61	60	59	58	57	56	55	-	53	SALEABLE		345650003	
											-	-	-	-	48	-	-	45	-	43	42	-	40	-	-	37	36	35	34	33				
											-	-	-	-	32	31	-	-	-	-	-	-	-	-	-	-	20	19	18	-				
											-	-	-	-	-	-	-	-	-	-	-	-	-	-	-	-	4	3	2	1				

ASSEMBLY DESCRIPTION	ASSEMBLY PART NUMBER	CONNECTOR HOUSING	GROMMET CAP	TPA	RIGHT SLIDE	LEFT SLIDE	MATE ASSIST LEVER	CPA	MAT SEAL	RING SEAL	BLOCKED TERMINALS																				STATUS	COMMENTS	INTEGRAL COMPONENTS SOLD SEPARATELY						
											CAVITY WITH A NUMBER INDICATES BLOCKED TERMINAL POSITION										CAVITY WITHOUT A NUMBER INDICATES OPEN TERMINAL POSITION												DRESS COVER						
MX123 CONN ASSY 73 CKT GRY OPT0 KEY B/36	345668853	C-HSG-B0	G-CAP-0-P	TPA-B0	RS	LS	MAL	CPA	MSEAL	RSEAL	-	71	70	69	-	-	66	65	64	-	-	-	-	-	58	57	56	-	54	53	SALEABLE		345650003						
											-	51	50	49	-	-	-	45	-	-	42	-	-	39	-	-	-	-	-	-				-	-	-	-	34	33
																					32	31	-	29	28	-	26	25	24	23				-	-	-	-	-	-
MX123 CONN ASSY 73 CKT GRY OPT0 KEY B/44	345668863	C-HSG-B0	G-CAP-0-P	TPA-B0	RS	LS	MAL	CPA	MSEAL	RSEAL	-	-	-	-	68	67	66	65	-	-	62	-	60	59	-	-	-	-	54	53	SALEABLE		345650003						
											-	-	-	-	48	47	46	45	44	-	42	41	40	39	-	-	-	-	35	34				-					
																					-	31	-	-	-	27	-	-	-	-				-	-	-	19	18	17
MX123 CONN ASSY 73 CKT GRY OPT0 KEY B/46	345668873	C-HSG-B0	G-CAP-0-P	TPA-B0	RS	LS	MAL	CPA	MSEAL	RSEAL	-	-	-	-	68	67	66	65	-	-	62	-	60	59	-	-	-	-	54	53	SALEABLE		345650003						
											-	-	-	-	48	47	46	45	44	-	42	41	40	39	-	-	-	-	35	34				-					
																					-	-	-	-	-	27	-	-	-	-				-	-	-	19	18	17
MX123 CONN ASSY 73 CKT GRY OPT0 KEY B/69	345668883	C-HSG-B0	G-CAP-0-P	TPA-B0	RS	LS	MAL	CPA	MSEAL	RSEAL	-	-	-	-	-	-	-	-	-	-	62	-	-	-	-	-	-	-	54	53	SALEABLE		345650003						
											-	-	-	-	-	-	-	-	-	-	42	-	-	-	-	-	-	-	-	-				-	-	-	-	-	-
																					-	-	-	-	-	-	-	-	-	-				-	-	-	-	-	-
MX123 CONN ASSY 73 CKT BLK OPT0 KEY A/41	345668893	C-HSG-A0	G-CAP-0-P	TPA-A0	RS	LS	MAL	CPA	MSEAL	RSEAL	-	71	-	69	68	-	-	-	64	-	62	61	-	-	-	-	-	-	54	53	SALEABLE		345650003						
											-	-	50	-	-	-	-	44	-	-	41	-	-	-	-	-	-	-	-	-				-	-	-	34	33	
																					32	31	30	29	-	-	26	25	24	-				-	-	20	19	-	-
MX123 CONN ASSY 73 CKT BLK OPT0 KEY A/48	345668913	C-HSG-A0	G-CAP-0-P	TPA-A0	RS	LS	MAL	CPA	MSEAL	RSEAL	-	-	-	-	-	67	-	-	-	-	62	61	-	59	58	-	-	55	-	53	SALEABLE		345650003						
											-	-	-	-	-	47	-	-	-	-	-	-	-	-	-	-	-	-	-	35				-	33				
																					-	-	-	-	-	27	26	25	24	-				-	-	20	19	18	17
MX123 CONN ASSY 73 CKT BLK OPT0 KEY A/52	345668923	C-HSG-A0	G-CAP-0-P	TPA-A0	RS	LS	MAL	CPA	MSEAL	RSEAL	72	-	-	-	-	-	66	65	-	-	-	-	-	-	58	-	-	-	-	-	SALEABLE		345650003						
											-	-	-	-	48	47	-	-	-	-	-	-	-	-	-	-	-	-	-	35				-	33				
																					-	31	30	-	-	-	-	-	24	23				22	-	20	19	-	17
MX123 CONN ASSY 73 CKT BLU OPT0 KEY C/30	345668933	C-HSG-C0	G-CAP-0-P	TPA-C0	RS	LS	MAL	CPA	MSEAL	RSEAL	-	-	70	-	-	67	-	-	64	-	62	61	60	-	-	57	-	55	54	-	SALEABLE		345650003						
											52	51	50	49	48	47	46	45	44	-	42	41	40	-	-	37	-	35	34	33									
																					32	-	-	-	28	27	26	25	-	-				-	-	19	18	17	
MX123 CONN ASSY 73 CKT GRY OPT0 KEY B/24	345668943	C-HSG-B0	G-CAP-0-P	TPA-B0	RS	LS	MAL	CPA	MSEAL	RSEAL	-	71	70	69	-	67	66	65	64	63	-	-	60	59	58	57	56	-	54	53	SALEABLE		345650003						
											-	51	50	49	48	47	-	45	44	-	42	41	-	39	38	37	36	35	34	33									
																					32	31	30	29	28	27	26	25	24	23				-	-	-	-	-	-
MX123 CONN ASSY 73 CKT BLU OPT9 KEY C/43	345668953	C-HSG-C9	G-CAP-9-P	TPA-C9	RS	LS	MAL	CPA	MSEAL	RSEAL	-	-	-	-	68	-	-	65	-	63	62	61	-	59	58	57	56	55	-	53	SALEABLE		345650003						
											-	-	-	-	48	-	-	45	-	43	42	41	-	-	-	37	36	35	34	33									
																					32	31	-	-	-	-	-	-	-	-				-	-	20	19	18	-
MX123 CONN ASSY 73 CKT GRY OPT0 KEY B/31	345668963	C-HSG-B0	G-CAP-0-P	TPA-B0	RS	LS	MAL	CPA	MSEAL	RSEAL	-	71	70	69	68	67	66	65	64	63	-	-	-	-	58	57	56	-	54	53	SALEABLE		345650003						
											-	51	50	49	-	-	-	45	44	-	42	-	-	39	-	-	-	-	-	-				-	-	-	34	33	
																					32	31	-	29	28	27	26	25	24	23				-	-	-	-	-	-
MX123 CONN ASSY 73 CKT BLK OPT0 KEY A/47	345668973	C-HSG-A0	G-CAP-0-P	TPA-A0	RS	LS	MAL	CPA	MSEAL	RSEAL	-	-	-	-	-	67	-	-	-	-	62	61	-	59	58	-	-	55	-	53	SALEABLE		345650003						
											-	-	-	-	-	47	-	-	-	-	-	41	-	-	-	-	-	-	35	-				33					
																					-	-	-	-	-	27	26	25	24	-				-	-	20	19	18	-

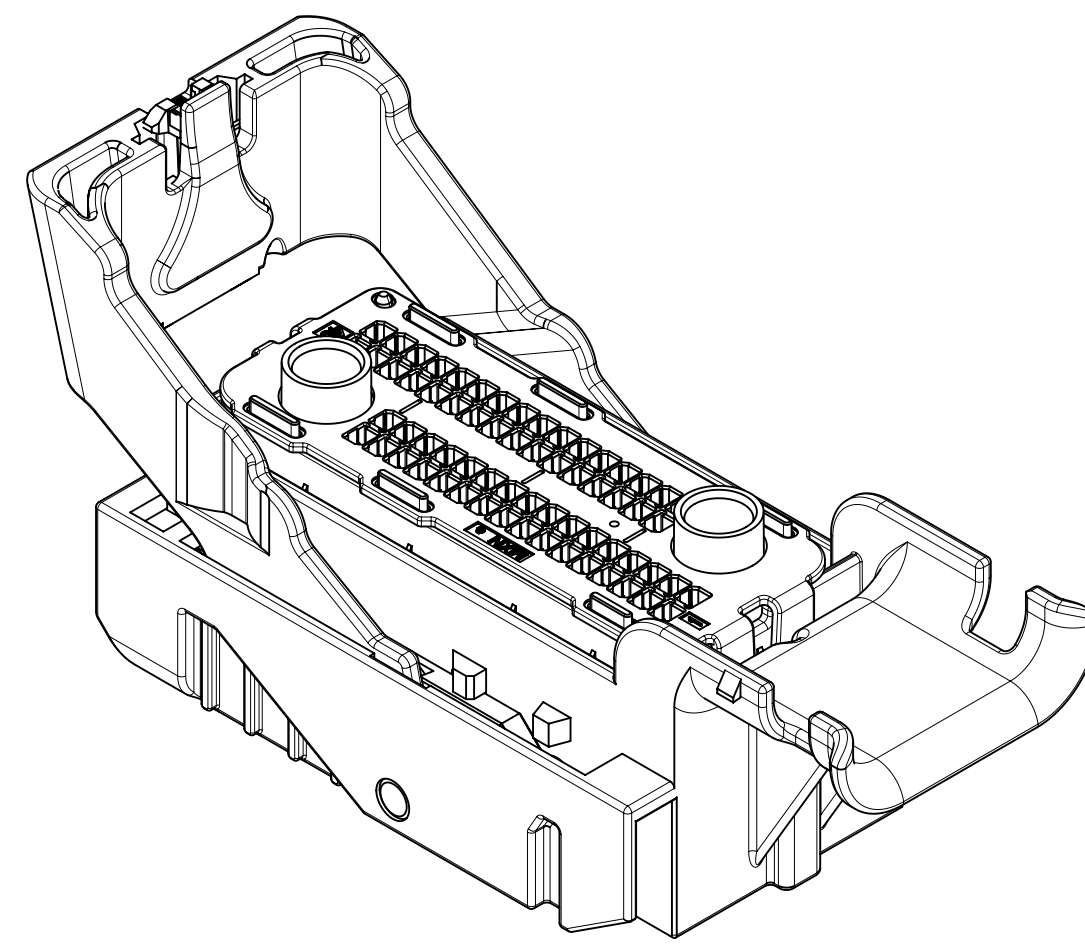
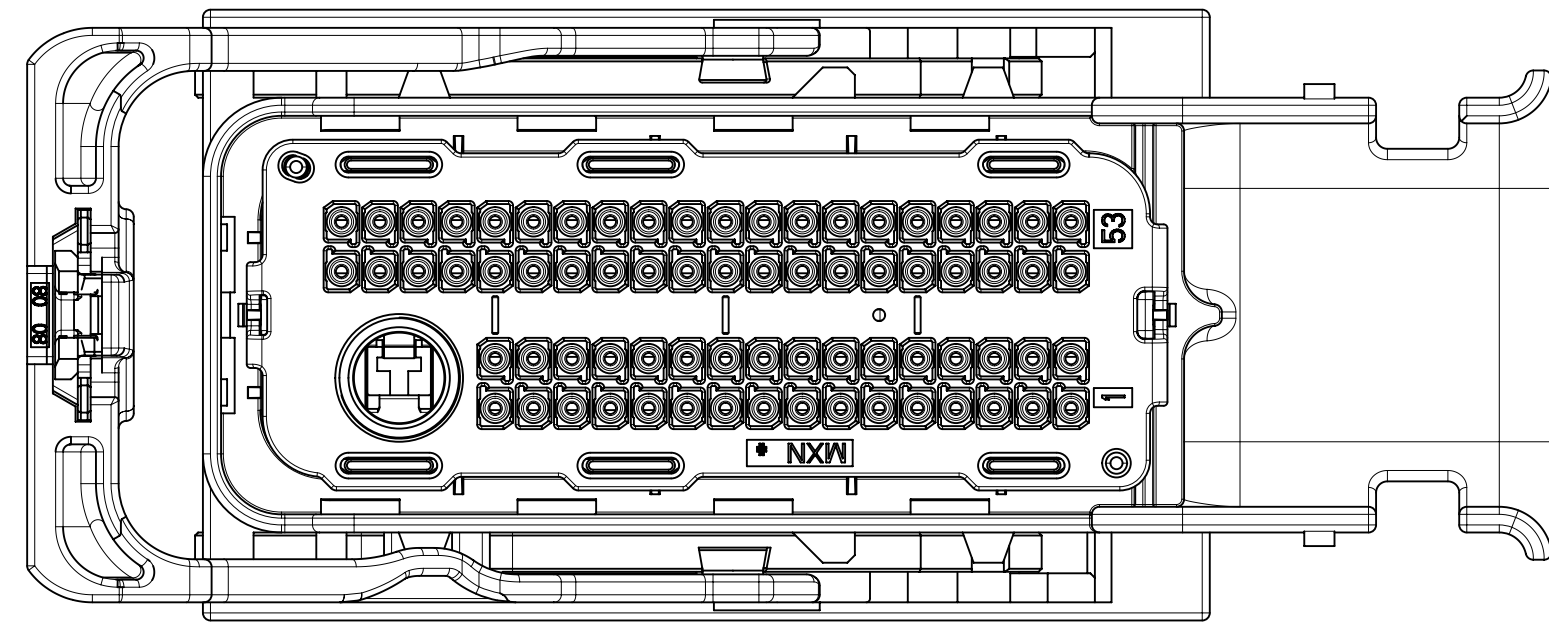
ASSEMBLY DESCRIPTION	ASSEMBLY PART NUMBER	CONNECTOR HOUSING	GROMMET CAP	TPA	RIGHT SLIDE	LEFT SLIDE	MATE ASSIST LEVER	CPA	MAT SEAL	RING SEAL	BLOCKED TERMINALS																				STATUS	COMMENTS	INTEGRAL COMPONENTS SOLD SEPARATELY
											CAVITY WITH A NUMBER INDICATES BLOCKED TERMINAL POSITION																						DRESS COVER
											CAVITY WITHOUT A NUMBER INDICATES OPEN TERMINAL POSITION																						
MX123 CONN ASSY 73 CKT BLU OPT0 KEY C/38	345668983	C-HSG-C0	G-CAP-0-P	TPA-C0	RS	LS	MAL	CPA	MSEAL	RSEAL	72	-	-	69	68	-	-	65	-	63	62	-	-	59	58	-	56	55	-	53	SALEABLE		345650003
											-	-	-	-	-	-	46	-	43	42	-	40	39	38	-	36	35	-	-				
											-	-	-	-	-	31	30	29	-	-	26	-	24	23	22	21	20	19	-	-			
MX123 CONN ASSY 73 CKT GRY OPT0 KEY B/12	345668993	C-HSG-B0	G-CAP-0-P	TPA-B0	RS	LS	MAL	CPA	MSEAL	RSEAL	72	71	70	69	68	67	-	65	64	63	-	61	60	59	-	57	56	55	54	53	SALEABLE		345650003
											52	51	50	49	48	47	46	45	44	43	42	-	40	39	-	-	36	35	34	33			
											-	-	-	-	32	31	30	29	28	27	26	25	24	23	22	21	20	-	-	-			
MX123 CONN ASSY 73 CKT GRY OPT0 KEY B/50	345669003	C-HSG-B0	G-CAP-0-P	TPA-B0	RS	LS	MAL	CPA	MSEAL	RSEAL	72	71	70	-	-	67	-	65	64	63	62	61	60	-	58	-	56	-	54	-	SALEABLE		345650003
											52	51	50	-	-	47	-	45	-	43	42	41	40	-	38	-	36	-	34	-			
											-	-	-	-	32	31	30	-	-	27	26	25	24	-	22	-	20	19	-	17			
MX123 CONN ASSY 73 CKT BLK OPT0 KEY A/29	345669013	C-HSG-A0	G-CAP-0-P	TPA-A0	RS	LS	MAL	CPA	MSEAL	RSEAL	72	71	70	-	-	67	66	-	-	-	-	-	-	59	58	57	56	55	54	53	SALEABLE		345650003
											52	51	50	-	-	47	46	-	-	-	-	-	-	39	-	37	36	35	-	33			
											-	-	-	-	32	31	30	29	28	27	26	-	-	-	-	21	-	-	18	17			
MX123 CONN ASSY 73 CKT GRY OPT0 KEY B/18	345669023	C-HSG-B0	G-CAP-0-P	TPA-B0	RS	LS	MAL	CPA	MSEAL	RSEAL	72	71	70	69	68	67	66	65	64	63	-	61	60	-	58	57	56	55	54	53	SALEABLE		345650003
											52	51	50	49	48	47	46	45	44	43	-	-	40	-	-	37	36	35	34	33			
											-	-	-	-	32	-	30	29	28	-	26	25	24	-	-	21	-	19	-	-			
MX123 CONN ASSY 73 CKT BLU OPT0 KEY C/43	345669033	C-HSG-C0	G-CAP-0-P	TPA-C0	RS	LS	MAL	CPA	MSEAL	RSEAL	-	71	-	69	68	-	66	65	64	-	62	61	-	-	-	-	-	54	53	SALEABLE		345650003	
											-	-	-	-	48	-	-	-	-	43	42	41	40	-	-	37	36	35	-				33
											-	-	-	-	32	-	-	-	-	27	-	-	-	-	-	-	20	19	18				-
MX123 CONN ASSY 73 CKT BLU OPT0 KEY C/40	345669043	C-HSG-C0	G-CAP-0-P	TPA-C0	RS	LS	MAL	CPA	MSEAL	RSEAL	-	-	-	-	68	-	-	-	-	63	62	61	60	59	58	57	56	55	-	53	SALEABLE		345650003
											-	-	-	-	48	-	-	-	-	43	42	41	40	-	-	37	36	35	34	33			
											-	-	-	-	32	31	-	-	-	27	-	-	-	-	-	-	20	19	18	-			
MX123 CONN ASSY 73 CKT BLU OPT0 KEY C/49	345669053	C-HSG-C0	G-CAP-0-P	TPA-C0	RS	LS	MAL	CPA	MSEAL	RSEAL	-	-	-	-	-	67	-	-	-	63	62	-	-	59	58	-	-	55	-	-	SALEABLE		345650003
											-	-	-	-	-	47	-	-	-	-	-	41	-	-	-	-	-	35	-	-			
											-	-	-	-	32	-	-	-	-	27	26	25	24	-	-	-	-	19	18	17			
MX123 CONN ASSY 73 CKT GRY OPT0 KEY B/26	345669063	C-HSG-B0	G-CAP-0-P	TPA-B0	RS	LS	MAL	CPA	MSEAL	RSEAL	-	71	70	69	-	67	66	65	64	63	-	-	-	-	58	57	56	-	54	53	SALEABLE		345650003
											-	-	50	49	-	-	-	45	44	-	-	41	-	-	-	-	-	-	34	33			
											-	-	-	-	32	31	30	29	28	27	26	25	24	23	-	-	20	19	-	-			
MX123 CONN ASSY 73 CKT GRY OPT0 KEY B/64	345669073	C-HSG-B0	G-CAP-0-P	TPA-B0	RS	LS	MAL	CPA	MSEAL	RSEAL	-	-	-	-	-	-	-	-	-	-	62	-	-	-	58	-	-	-	54	53	SALEABLE		345650003
											-	-	-	-	-	-	-	-	-	-	42	-	-	-	-	-	-	-	-	-			
											-	-	-	-	-	-	-	-	-	27	-	25	-	-	-	-	-	-	-	-			
MX123 CONN ASSY 73 CKT BLK OPT0 KEY A/36	345669083	C-HSG-A0	G-CAP-0-P	TPA-A0	RS	LS	MAL	CPA	MSEAL	RSEAL	-	71	-	69	68	-	66	65	64	-	62	61	-	-	-	-	-	-	54	53	SALEABLE		345650003
											-	-	50	49	-	-	-	45	44	-	-	41	-	-	-	-	-	-	34	33			
											-	-	-	-	32	31	30	29	-	-	26	25	24	23	-	-	20	19	-	-			
MX123 CONN ASSY 73 CKT BLK OPT0 KEY A/35	345669093	C-HSG-A0	G-CAP-0-P	TPA-A0	RS	LS	MAL	CPA	MSEAL	RSEAL	-	71	-	69	68	-	66	65	64	-	62	61	-	-	-	-	-	-	54	53	SALEABLE		345650003
											-	-	50	49	-	-	-	45	44	-	-	41	-	-	-	-	-	-	34	33			
											-	-	-	-	32	31	30	29	-	-	26	25	24	23	-	-	20	19	-	-			

ASSEMBLY DESCRIPTION	ASSEMBLY PART NUMBER	CONNECTOR HOUSING	GROMMET CAP	TPA	RIGHT SLIDE	LEFT SLIDE	MATE ASSIST LEVER	CPA	MAT SEAL	RING SEAL	BLOCKED TERMINALS																				STATUS	COMMENTS	INTEGRAL COMPONENTS SOLD SEPARATELY						
											CAVITY WITH A NUMBER INDICATES BLOCKED TERMINAL POSITION										CAVITY WITHOUT A NUMBER INDICATES OPEN TERMINAL POSITION												DRESS COVER						
MX123 CONN ASSY 73 CKT GRY OPT9 KEY B/44	345669243	C-HSG-B9	G-CAP-9-P	TPA-B9	RS	LS	MAL	CPA	MSEAL	RSEAL	-	-	-	-	68	67	66	65	-	-	62	-	60	59	-	-	-	-	54	53	SALEABLE		345650003						
											-	-	-	-	48	47	46	45	44	-	42	41	40	39	-	-	-	35	34	-									
																					-	31	-	-	-	27	-	-	-	-				-	-	19	18	17	
																					-	15	-	-	-	-	-	-	-	-				-	-	3	2	1	
MX123 CONN ASSY 73 CKT GRY OPT9 KEY B/61	345669253	C-HSG-B9	G-CAP-9-P	TPA-B9	RS	LS	MAL	CPA	MSEAL	RSEAL	-	-	-	-	-	-	66	-	-	-	-	-	-	58	-	-	-	-	-	SALEABLE		345650003							
											-	-	-	-	-	-	-	-	-	-	-	41	-	-	38	37	-	-	-				-						
																					-	-	-	-	-	-	-	-	-				20	19	18	17			
																					-	-	-	-	-	-	-	8	-				-	5	-	-	-	1	
MX123 CONN ASSY 73 CKT GRY OPT9 KEY B/22	345669263	C-HSG-B9	G-CAP-9-P	TPA-B9	RS	LS	MAL	CPA	MSEAL	RSEAL	-	71	70	69	-	67	66	65	64	63	-	-	-	-	58	57	56	-	54	53	SALEABLE		345650003						
											-	51	50	49	48	47	-	45	44	-	42	-	-	39	38	37	36	35	34	33									
																					32	31	30	29	28	27	26	25	24	23				-	-	19	18	17	
																					-	-	-	13	12	11	10	9	-	7				-	5	-	3	2	1
MX123 CONN ASSY 73 CKT GRY OPT9 KEY B/57	345669273	C-HSG-B9	G-CAP-9-P	TPA-B9	RS	LS	MAL	CPA	MSEAL	RSEAL	-	-	-	-	-	-	66	-	-	-	62	-	-	-	58	-	-	-	-	-	SALEABLE		345650003						
											52	51	-	-	-	-	-	45	-	-	-	41	-	-	38	37	-	-	-	-									
																					-	-	-	-	-	-	-	-	-	-				20	19	18	17		
																					-	-	-	-	-	-	-	8	-	-				5	-	-	-	1	
MX123 CONN ASSY 73 CKT BLK OPT0 KEY A/14	345669303	C-HSG-A0	G-CAP-0-P	TPA-A0	RS	LS	MAL	CPA	MSEAL	RSEAL	-	-	70	-	-	-	65	-	-	-	61	60	-	-	-	-	-	-	-	SALEABLE		345650003							
											-	-	-	-	-	-	45	-	-	-	41	40	-	-	-	-	-	-	-				-						
																					-	-	-	-	28	-	26	25	-				-	-	-	-	18	-	
																					16	-	-	-	-	-	10	-	-				-	-	-	-	-	-	
MX123 CONN ASSY 73 CKT BLK OPT9 KEY A/33	345669313	C-HSG-A9	G-CAP-9-P	TPA-A9	RS	LS	MAL	CPA	MSEAL	RSEAL	-	71	70	69	68	67	66	65	-	63	-	-	60	59	-	-	-	-	-	-	SALEABLE		345650003						
											-	-	50	49	-	47	-	-	44	-	42	-	-	39	38	-	36	35	34	33									
																					-	31	-	-	28	-	26	-	24	23				22	21	-	19	18	17
																					-	-	14	-	12	-	-	-	8	7				6	5	-	3	2	1
MX123 CONN ASSY 73 CKT BLK OPT9 KEY A/37	345669323	C-HSG-A9	G-CAP-9-P	TPA-A9	RS	LS	MAL	CPA	MSEAL	RSEAL	-	71	70	69	68	67	66	65	-	63	-	-	60	-	-	-	-	-	-	SALEABLE		345650003							
											-	-	50	49	-	47	-	-	44	-	42	-	-	39	38	-	36	-	-				33						
																					-	31	-	-	28	-	26	-	24				23	22	21	-	19	18	17
																					-	-	14	-	12	-	-	-	8				7	6	5	-	-	2	1
MX123 CONN ASSY 73 CKT BLK OPT9 KEY A/35	345669333	C-HSG-A9	G-CAP-9-P	TPA-A9	RS	LS	MAL	CPA	MSEAL	RSEAL	-	71	70	69	68	67	66	65	-	63	-	-	60	-	-	-	-	-	53	SALEABLE		345650003							
											-	-	50	49	-	47	-	-	44	-	42	-	-	39	38	-	36	-	-				33						
																					-	31	-	-	28	-	26	-	24				23	22	21	-	19	18	17
																					-	-	14	-	12	-	-	-	8				7	6	5	-	3	2	1
MX123 CONN ASSY 73 CKT BLU OPT9 KEY C/34	345669343	C-HSG-C9	G-CAP-9-P	TPA-C9	RS	LS	MAL	CPA	MSEAL	RSEAL	-	71	-	-	-	67	-	65	64	-	-	61	60	59	-	57	-	-	-	-	SALEABLE		345650003						
											52	51	50	-	48	47	-	45	44	-	-	41	-	39	-	37	-	-	34	33									
																					32	-	-	-	28	27	-	25	-	23				-	-	-	-	18	-
																					16	15	14	13	12	11	10	9	8	7				6	5	-	-	-	-
MX123 CONN ASSY 73 CKT BLK OPT9 KEY A/35	345669353	C-HSG-A9	G-CAP-9-P	TPA-A9	RS	LS	MAL	CPA	MSEAL	RSEAL	-	71	70	69	68	67	66	65	-	63	-	-	60	59	-	-	-	-	-	SALEABLE		345650003							
											-	-	50	49	-	47	-	-	44	-	42	-	-	39	38	-	36	-	-				33						
																					-	31	-	-	28	-	26	-	24				23	22	21	-	19	18	17
																					-	-	14	-	12	-	-	-	8				7	6	5	-	3	2	1
MX123 CONN ASSY 73 CKT BLK OPT9 KEY A/32	345669363	C-HSG-A9	G-CAP-9-P	TPA-A9	RS	LS	MAL	CPA	MSEAL	RSEAL	-	71	70	69	68	67	66	65	-	63	-	-	60	59	58	-	-	-	-	-	SALEABLE		345650003						
											-	-	50	49	48	47	-	-	44	-	42	41	-	39	38	-	36	-	-	33									
																					-	31	-	-	28	-	26	-	24	23				22	21	-	19	18	17
																					-	-	14	-	12	-	-	-	8	7				6	5	-	3	2	1
MX123 CONN ASSY 73 CKT BLK OPT9 KEY A/59	345669383	C-HSG-A9	G-CAP-9-P	TPA-A9	RS	LS	MAL	CPA	MSEAL	RSEAL	-	-	-	-	-	67	66	65	-	-	-	-	60	-	-	-	-	-	-	SALEABLE		345650003							
											-	-	-	49	-	-	-	-	-	-	42	-	-	-	-	36	-	-	-				-						
																					-	31	-	-	28	-	-	-	-				23	22	21	-	-	-	-
																					-	-	-	-	-	-	-	-	-				-	6	5	-	-	-	-

ASSEMBLY DESCRIPTION	ASSEMBLY PART NUMBER	CONNECTOR HOUSING	GROMMET CAP	TPA	RIGHT SLIDE	LEFT SLIDE	MATE ASSIST LEVER	CPA	MAT SEAL	RING SEAL	BLOCKED TERMINALS																		STATUS	COMMENTS	INTEGRAL COMPONENTS SOLD SEPARATELY							
											CAVITY WITH A NUMBER INDICATES BLOCKED TERMINAL POSITION																				DRESS COVER							
											CAVITY WITHOUT A NUMBER INDICATES OPEN TERMINAL POSITION																											
MX123 CONN ASSY 73 CKT BLK OPT0 KEY A/33	345669593	C-HSG-A0	G-CAP-0-P	TPA-A0	RS	LS	MAL	CPA	MSEAL	RSEAL	-	71	-	69	68	-	66	65	64	-	62	61	-	-	-	-	-	-	54	53	SALEABLE		345650003					
											-	-	50	49	-	-	46	45	44	-	-	41	-	-	-	-	-	-	-	-				-	-	-	34	33
																					32	31	30	29	-	-	26	25	24	23				22	21	20	19	-
										16	15	14	13	-	-	10	-	8	-	6	5	4	3	-	-													
MX123 CONN ASSY 73 CKT BLK OPT0 KEY A/28	345669603	C-HSG-A0	G-CAP-0-P	TPA-A0	RS	LS	MAL	CPA	MSEAL	RSEAL	72	-	-	-	-	67	-	-	-	-	62	-	60	-	-	-	-	-	55	54	53	SALEABLE		345650003				
											-	51	-	-	48	-	46	45	44	43	42	-	40	39	-	-	-	-	-	-	-				-	-	-	-
																					-	-	-	-	-	-	26	25	-	-	22				21	-	-	-
										-	-	-	-	-	-	-	-	8	7	6	5	4	3	2	-													
MX123 CONN ASSY 73 CKT BLU OPT0 KEY C/45	345669613	C-HSG-C0	G-CAP-0-P	TPA-C0	RS	LS	MAL	CPA	MSEAL	RSEAL	72	-	-	-	68	-	-	-	-	63	62	61	-	59	58	57	-	55	54	53	SALEABLE		345650003					
											-	-	-	-	48	-	-	-	-	43	42	41	-	-	38	37	36	35	-	33								
																					32	-	-	29	-	27	-	-	-	-				-	-	-	-	-
										-	-	-	-	-	11	10	-	-	-	-	-	-	3	2	1													
MX123 CONN ASSY 73 CKT GRY OPT9 KEY B/40	345669623	C-HSG-B9	G-CAP-9-P	TPA-B9	RS	LS	MAL	CPA	MSEAL	RSEAL	-	-	-	69	68	67	66	65	-	-	62	-	60	59	-	-	-	-	54	53	SALEABLE		345650003					
											-	-	-	49	48	47	46	45	44	-	42	41	40	39	-	-	-	-	35	34				33				
																					-	31	-	-	-	27	-	-	-	-				-	-	-	19	18
										-	15	-	-	12	-	-	-	-	-	-	-	-	-	3	2	1												
MX123 CONN ASSY 73 CKT GRY OPT9 KEY B/60	345669633	C-HSG-B9	G-CAP-9-P	TPA-B9	RS	LS	MAL	CPA	MSEAL	RSEAL	-	-	-	-	-	66	-	-	-	62	-	-	-	58	-	-	-	-	-	SALEABLE		345650003						
											-	-	-	-	-	-	-	-	-	-	-	41	-	-	38	37	-	-	-				-	-	-	-		
																					-	-	-	-	-	-	-	-	-				-	-	-	19	18	17
										-	-	-	-	-	-	-	-	8	-	-	5	4	-	-	1													
MX123 CONN ASSY 73 CKT BLK OPT9 KEY A/20	345669643	C-HSG-A9	G-CAP-9-P	TPA-A9	RS	LS	MAL	CPA	MSEAL	RSEAL	72	71	70	-	68	67	66	65	-	-	62	-	60	-	58	57	56	55	54	53	SALEABLE		345650003					
											-	51	50	49	-	47	46	45	-	-	42	-	40	-	-	37	36	-	-	33								
																					32	31	-	-	28	27	26	25	24	23				22	21	20	19	18
										16	15	14	13	12	11	-	9	8	7	6	-	4	3	-	1													
MX123 CONN ASSY 73 CKT GRY OPT0 KEY B/52	345669663	C-HSG-B0	G-CAP-0-P	TPA-B0	RS	LS	MAL	CPA	MSEAL	RSEAL	-	-	-	-	-	-	-	-	-	62	-	60	59	-	-	-	-	-	-	SALEABLE		345650003						
											-	-	-	-	-	-	-	-	-	43	42	41	-	39	38	-	-	-	-				-	-	-	-		
																					-	31	-	-	-	27	-	-	-				23	22	-	20	19	18
										-	15	-	-	-	11	-	-	-	7	-	-	4	3	-	-													
MX123 CONN ASSY 73 CKT BLU OPT0 KEY C/46	345669673	C-HSG-C0	G-CAP-0-P	TPA-C0	RS	LS	MAL	CPA	MSEAL	RSEAL	-	-	-	-	68	-	-	-	-	63	62	61	-	59	58	57	-	55	-	53	SALEABLE		345650003					
											-	-	-	-	48	-	-	-	-	43	42	41	-	-	-	37	36	35	-	33								
																					32	-	-	29	-	27	-	-	-	-				-	-	-	19	18
										-	-	-	-	-	11	10	-	-	-	-	-	-	3	2	1													
MX123 CONN ASSY 73 CKT GRY OPT0 KEY B/60	345669683	C-HSG-B0	G-CAP-0-P	TPA-B0	RS	LS	MAL	CPA	MSEAL	RSEAL	-	-	-	-	-	-	-	-	-	62	-	-	59	58	-	-	-	-	53	SALEABLE		345650003						
											-	-	-	-	-	-	-	-	-	42	-	-	39	-	-	-	-	-	34				-					
																					-	-	-	-	-	27	-	25	-				-	-	-	-	18	-
										-	-	-	-	-	11	10	-	-	-	-	-	-	-	2	-													
MX123 CONN ASSY 73 CKT BLK OPT0 KEY A/32	345669693	C-HSG-A0	G-CAP-0-P	TPA-A0	RS	LS	MAL	CPA	MSEAL	RSEAL	-	71	-	69	68	-	66	65	64	-	62	61	-	-	-	-	-	-	54	-	SALEABLE		345650003					
											-	-	50	49	-	-	46	45	44	-	-	41	-	-	-	-	-	-	-	-				-	-	-	34	-
																					32	31	30	29	-	27	26	25	24	23				22	21	20	19	-
										16	15	14	13	-	-	10	9	8	7	6	5	4	3	-	-													
MX123 CONN ASSY 73 CKT BLK OPT0 KEY A/30	345669703	C-HSG-A0	G-CAP-0-P	TPA-A0	RS	LS	MAL	CPA	MSEAL	RSEAL	-	-	-	-	-	67	66	-	-	-	62	-	60	-	58	-	-	55	54	53	SALEABLE		345650003					
											-	-	-	-	48	-	46	45	44	43	42	-	40	39	-	-	-	-	35	-				-				
																					-	-	-	-	-	-	26	25	-	-				22	21	-	-	-
										-	15	14	-	-	-	-	-	8	7	6	5	4	-	-	-													
MX123 CONN ASSY 73 CKT GRY OPT0 KEY B/45	345669713	C-HSG-B0	G-CAP-0-P	TPA-B0	RS	LS	MAL	CPA	MSEAL	RSEAL	72	71	70	69	-	-	-	-	-	63	62	61	60	-	-	-	56	-	-	-	SALEABLE		345650003					
											52	-	-	-	-	47	-	-	44	-	-	41	-	-	-	-	36	-	34	-								
																					-	-	-	29	28	27	-	25	-	-				-	21	-	19	18
										-	15	14	-	12	11	-	-	-	-	-	-	-	-	-	-	1												



73 CKT
SCALE 3:2



66 CKT
SCALE 3:2

NOTES: UNLESS OTHERWISE SPECIFIED

1. MATERIAL:

- A. RESIN: SEE COMPONENT DRAWINGS
- B. COLOR: SEE TABLE

2. DESIGN - GENERAL:

- A. THIS IS A 100% CAD GENERATED PART. THE CAD MATHEMATICAL DATA IS THE MASTER FOR THIS PART. FOR DIMENSIONAL OR ANY INFORMATION NOT SHOWN ON THIS DRAWING, ANALYZE THE CAD MODEL.
- B. TOLERANCES:
 - a. LINEAR X.X ± 0.30
X.XX ± 0.10
X.XXX ± 0.10
 - b. ANGULAR X° ± 3.0°
- C. CORNERS SHOWN AS SHARP TO BE R 0.2 MAX.
- D. FOLLOWING PRODUCTION CODES TO BE PERMANENTLY MARKED & HUMAN READABLE TO A LETTER HEIGHT < 3mm.
LINE #1: MATERIAL #:XXXX-XXXX
LINE #2: DATE CODE: JJJY (JULIAN DAY, LAST DIGIT OF YEAR)
LINE #3: INSPECTION MACHINE CODE + SERIAL #: X_XXXX
- E-1. PARTS MUST BE FREE OF DISCOLORATION, SALT RESIDUE AND OTHER IMPERFECTIONS THAT AFFECT FIT OR FUNCTION.
- E-2. SCRATCHES OR DENTS NOT TO EXCEED 0.13mm IN DEPTH.
- F. CHANGES IN DESIGN FROM PART PREVIOUSLY APPROVED REQUIRES PRIOR ENGINEERING APPROVAL. THIS INCLUDES BUT IS NOT LIMITED TO DRAFT, MATERIAL OR PROCESSING.
- G. SHALL CONFORM TO THE FOLLOWING PACKAGING SPECIFICATION : PK-31300-019

3. DESIGN - MANUFACTURING:

- A. DRAFT TO BE WITHIN TOLERANCE.
- B. ALLOWABLE FLASH 0.2 MAX HIGH X 0.13 MAX THICK.
- C. ALLOWABLE PARTING LINE MISMATCH 0.2 MAX.
- D. EJECTOR PINS MARK TO BE FLUSH TO 0.25 MAX DEPRESSED.
- E. ALLOWABLE GATE VESTIGE TO BE FLUSH TO 0.25 MAX PROTRUSION.

4. SYSTEM REQUIREMENTS:

WHEN TESTED TO SAE/USCAR-2 REV: 3, APRIL 2001, AND GMW #3191, AUGUST 22, 2000 (DRAFT).

A. TPA (WITHOUT TERMINALS)

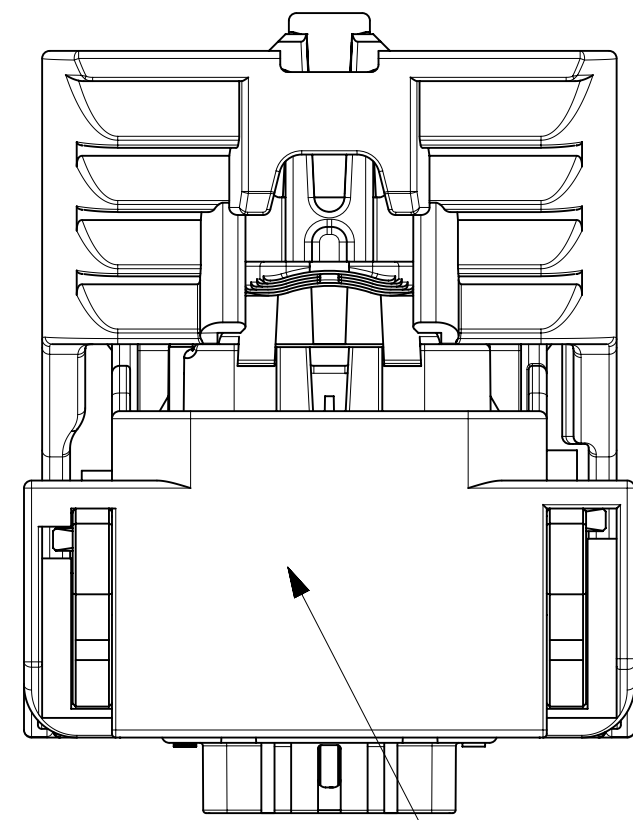
- a. INSERTION FORCE FROM PRE-SET TO LOCK: ≥20N
- b. REMOVAL FORCE FROM PRE-SET: ≥20N

B. CPA

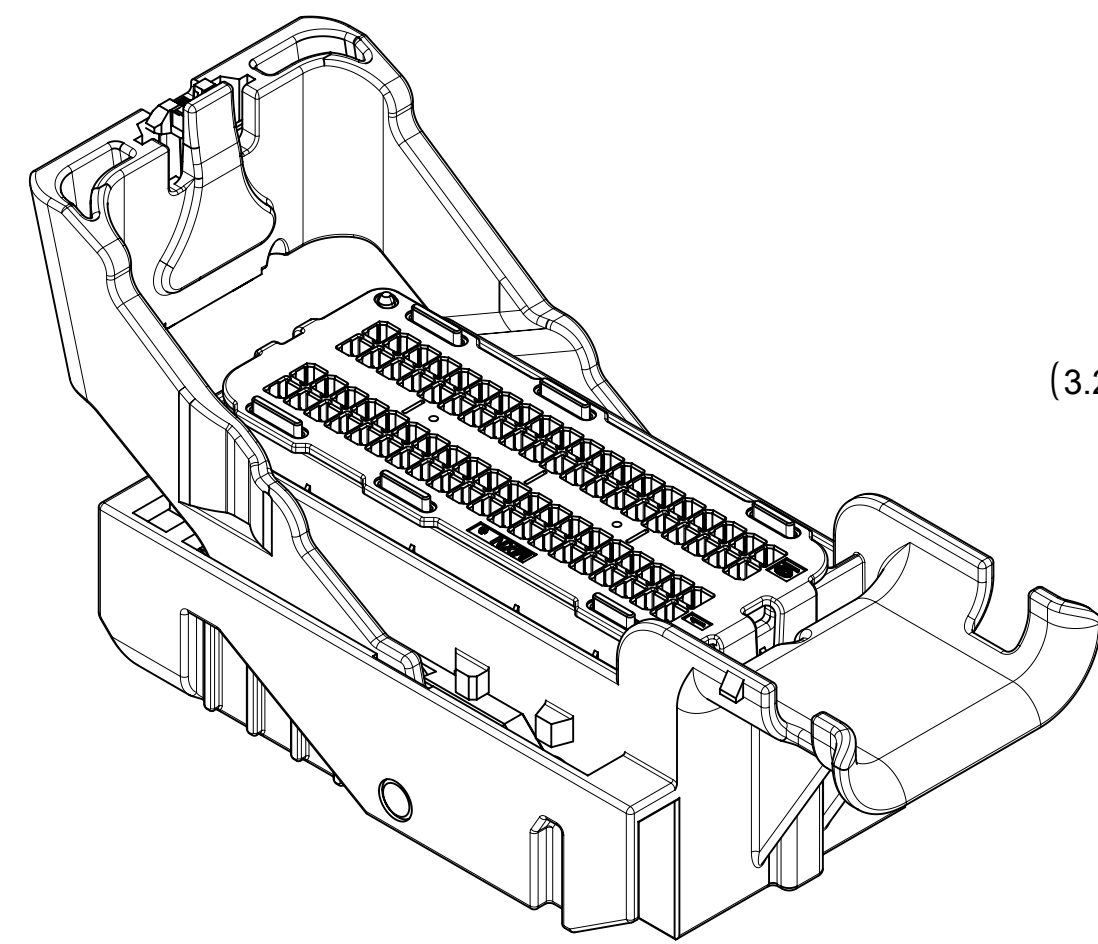
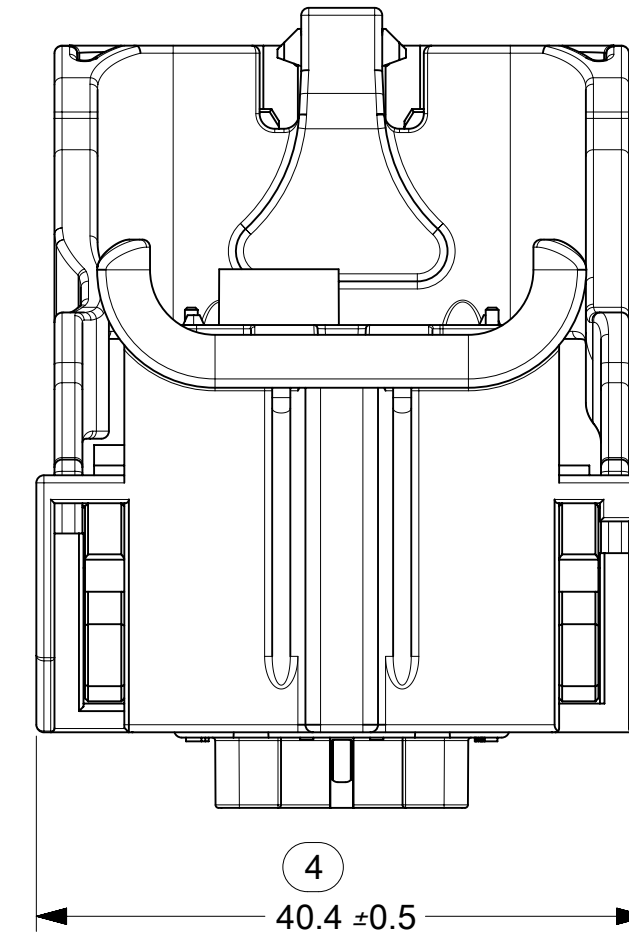
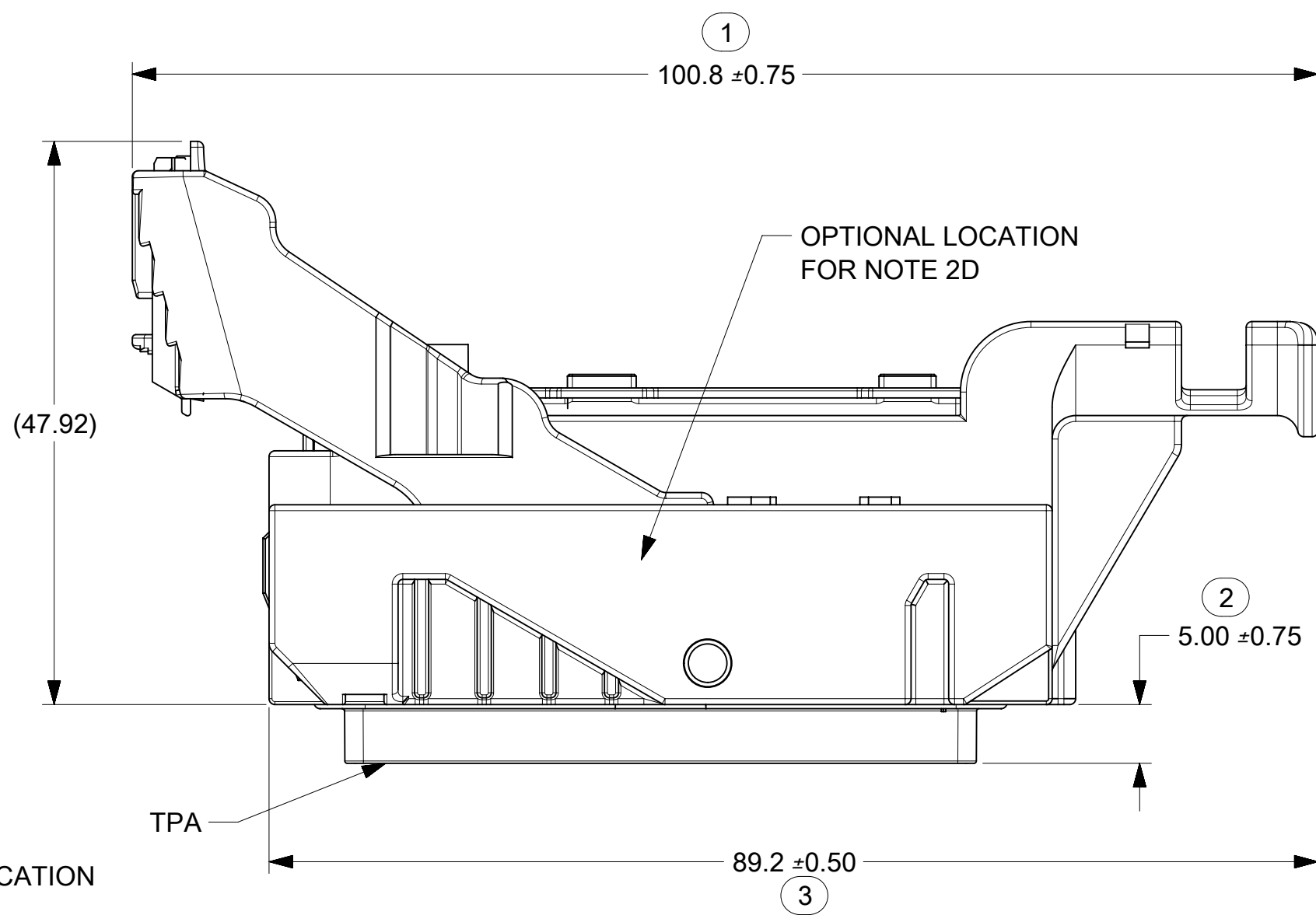
- a. INSERTION FORCE FROM PRE-SET TO LOCK WITH CONNECTOR UN-MATED: ≥60N
- b. REMOVAL FORCE FROM PRE-SET: ≥30N

C. GROMMET CAP

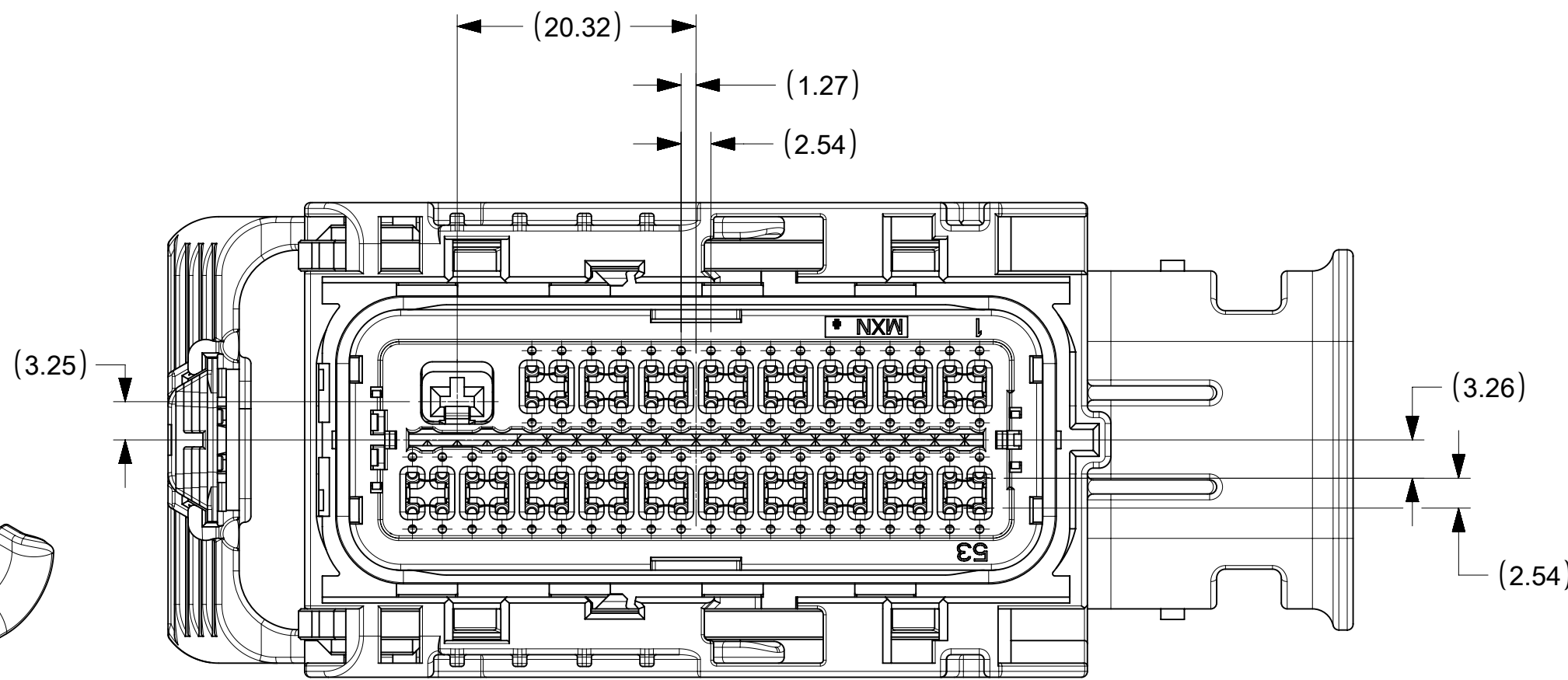
- a. REMOVAL FORCE FROM HOUSING WITH ENGAGED LATCHES: ≥110N
- D. MATE ASSIST LEVER
- a. INADVERTENT ACTUATION FORCE DURING SHIPPING, HANDLING OR PRE-ASSEMBLY: ≥190N



RECOMMENDED LOCATION FOR NOTE 2D



80 CKT
SCALE 3:2



G63	CHANGE DIMENSION 47.92 AND 89.2±0.50 POSITION; CHANGE > TO ≥ IN NOTES 4; TAKE OFF MODEL NUMBERS IN SHEET 2-4
G62	UPDATE ALL VIEWS IN SHEET 1, SHEET 2 AND SHEET 3
G61	BOM MIGRATE TO 345660001-SD.pdf
G60	ADD NEW PIN CONFIGURATION 34822-0253 thru 34822-0293 , 34566-8773 thru 34566-8983, 34576-7663 thru 34576-7723
G59	UPDATED HARNESS ASSY PART# DESCRIPTIONS
G58	ADD NEW PIN CONFIGURATION 34566-8743 34566-8753 34566-8763 34822-0243
G56	TO RESOLVE ISSUES WITH VIEWS ON SHEETS 1, 2, 3 AND 4
G55	ADDED HARNESS CONNECTOR ASSEMBLY PART NUMBERS
G54	ADDED KNOCKOUT PATTERNS
G53	UPDATED DRAWING TO INCLUDE ISO WIRE AND AWG WIRE HRNS CONN ASSEMBLY PART NUMBERS
G52	ADD NEW PIN CONFIGURATION 34566-8613 34566-8623
G51	ADD NEW PIN CONFIGURATION 34566-8563 34566-8573 34566-8583 34566-8593 34822-0183 34822-0193 34822-0203 34822-0213
G50	ADD NEW PIN CONFIGURATION 34566-8543 34566-8553
G49	ADD NEW PIN CONFIGURATION 34566-8443 34566-8453 34566-8463 34566-8473 34566-8483 34566-8493 34566-8513 34566-8523 34566-8533
G48	ADD NEW PIN CONFIGURATION 34566-8393 34566-8413 34566-8423 34566-8433
G47	SHEETS SEQUENCE ARE CORRECTED
G46	ADD NEW PIN CONFIGURATION 34566-8223 34566-8233 34566-8243 34566-8253 34566-8263 34566-8273 34566-8283 34566-8293 34566-8313 34566-8323 34566-8333 34566-8343 34566-8353 34566-8363 34566-8373 34566-8383
G45	NX RE-MASTERING
G44	ADD NEW PIN CONFIGURATION 34566-8173
G43	ADD NEW PIN CONFIGURATION 34566-8163 34566-2493 SAME AS P/N 34566-3863
REV	DESCRIPTION

SYMBOLS	THIS DRAWING CONTAINS INFORMATION THAT IS PROPRIETARY TO MOLEX ELECTRONIC TECHNOLOGIES, LLC AND SHOULD NOT BE USED WITHOUT WRITTEN PERMISSION		CURRENT REV DESC:	
	DIMENSION UNITS	SCALE		
▽ = 0	MM	2:1		
▽ = 0	GENERAL TOLERANCES (UNLESS SPECIFIED)			
▽ = 0	ANGULAR TOL	± °		
▽ = 0	4 PLACES	±		
▽ = 0	3 PLACES	±		
▽ = 0	2 PLACES	±		
▽ = 0	1 PLACE	±		
▽ = 0	0 PLACES	±		
■ = 0	DRAFT WHERE APPLICABLE MUST REMAIN WITHIN DIMENSIONS		THIRD ANGLE PROJECTION	DRAWING SERIES
▽ = 0			D-SIZE	34566
			MATERIAL NUMBER	CUSTOMER
			SEE TABLE	GENERAL MARKET
			SHEET NUMBER	
			1 OF 8	

molex

MX123
66/73/80CKT HRNS CONN ASSY

PRODUCT CUSTOMER DRAWING

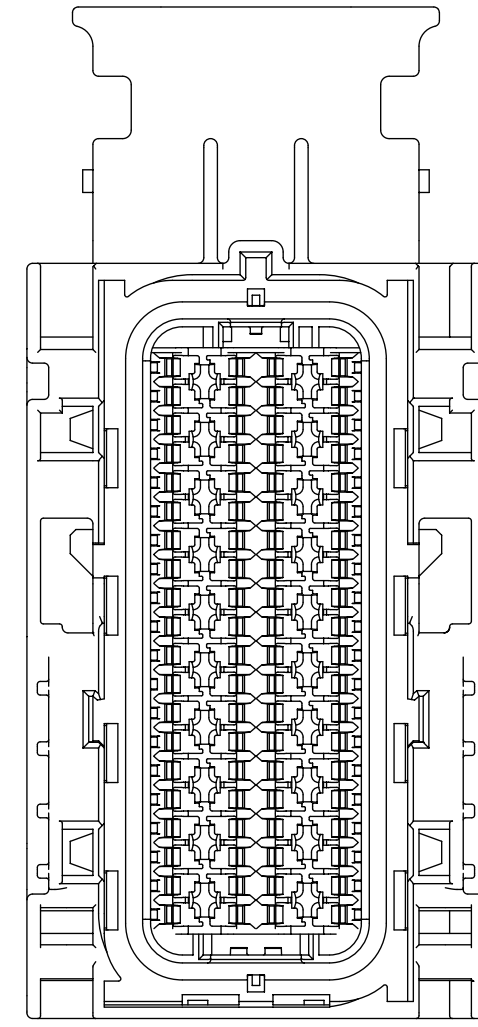
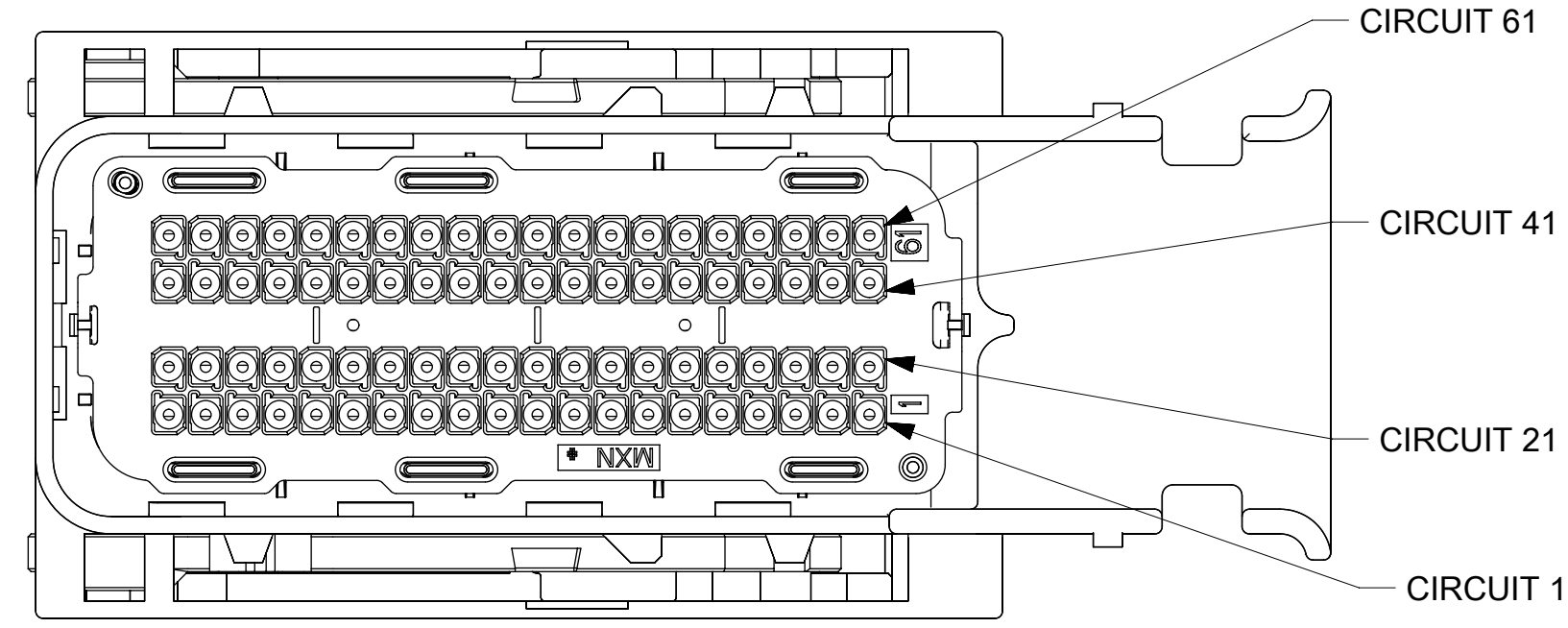
DOCUMENT NUMBER	DOC TYPE	DOC PART	REVISION
SD-34566-001	PSD	000	G63

DOCUMENT STATUS	P1	RELEASE DATE	2018/10/10	03:26:09
-----------------	----	--------------	------------	----------

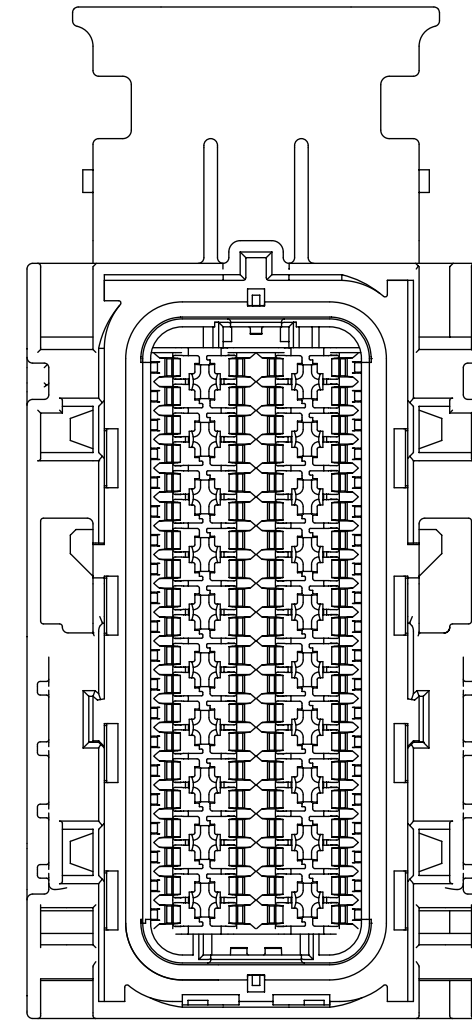
80 CKT

WIRE DRESS OPTION 0

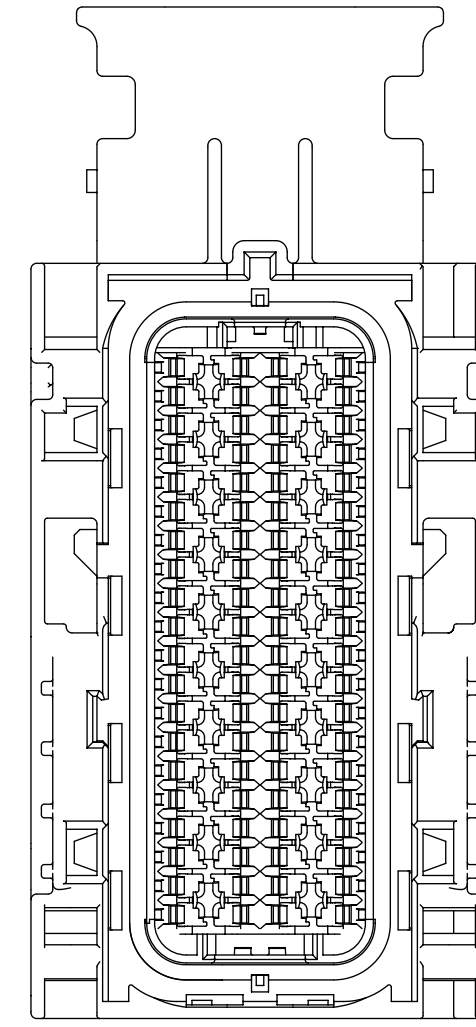
HOUSING ONLY, SHOWN FOR CLARITY



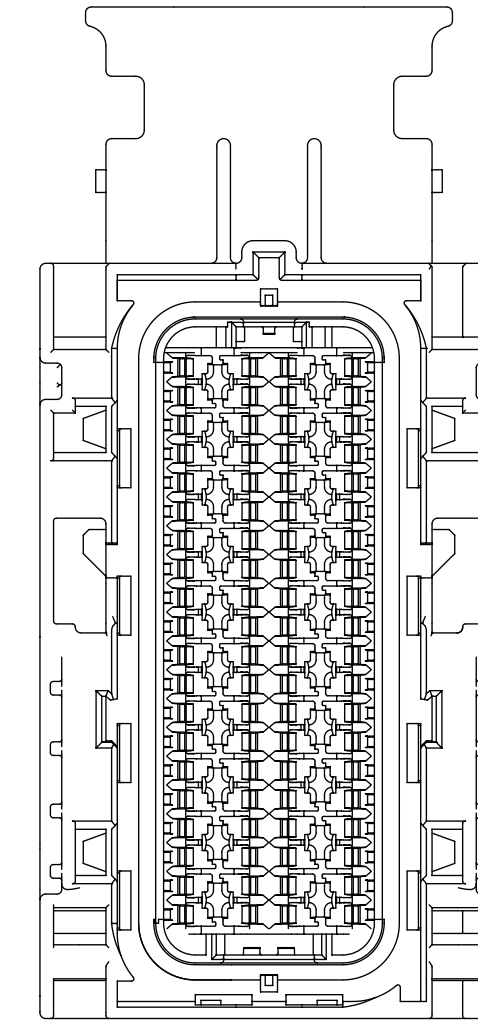
KEY G



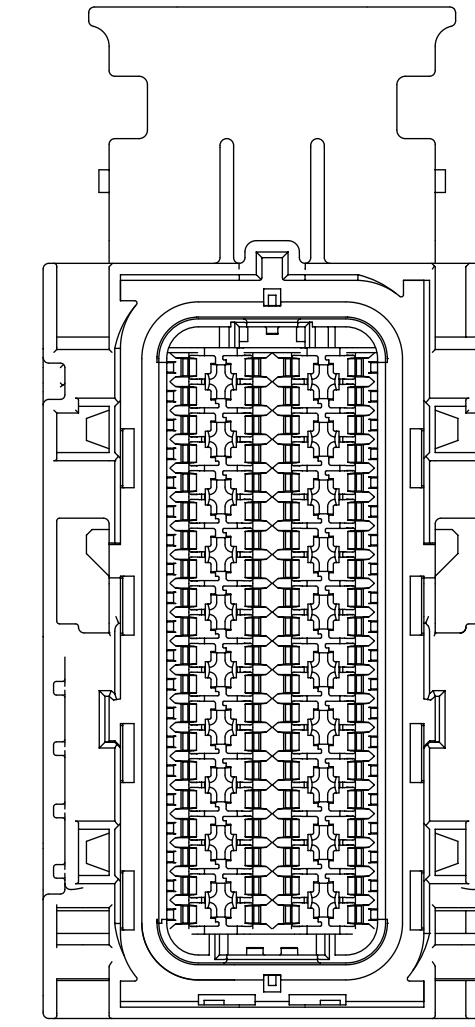
KEY H



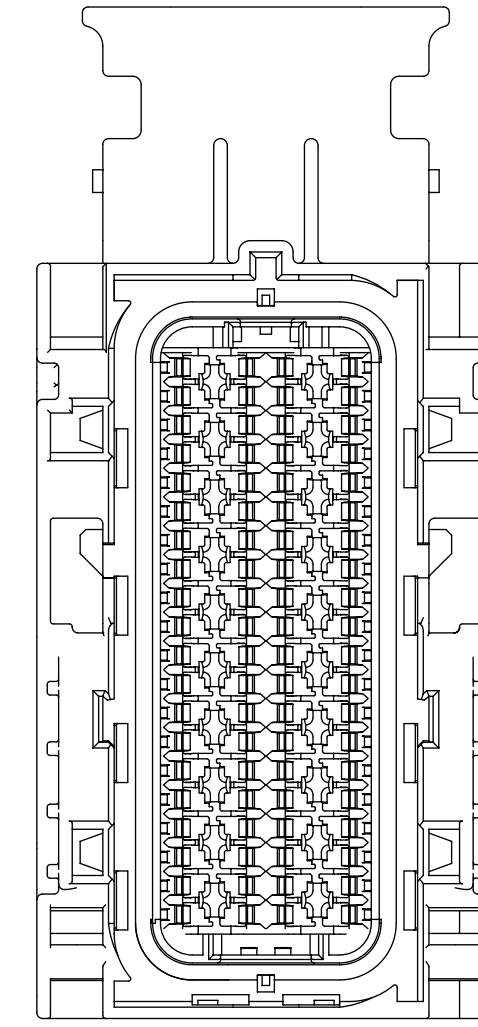
KEY J



KEY K

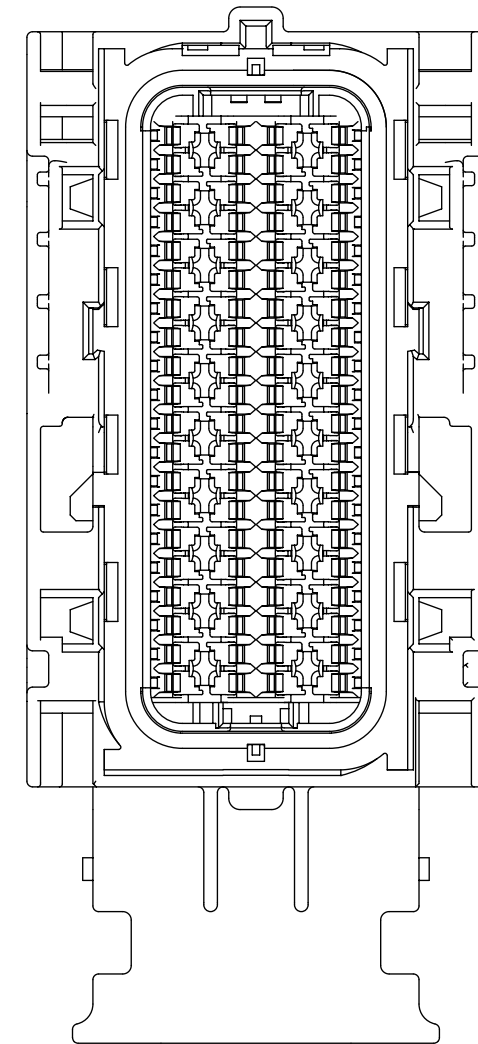
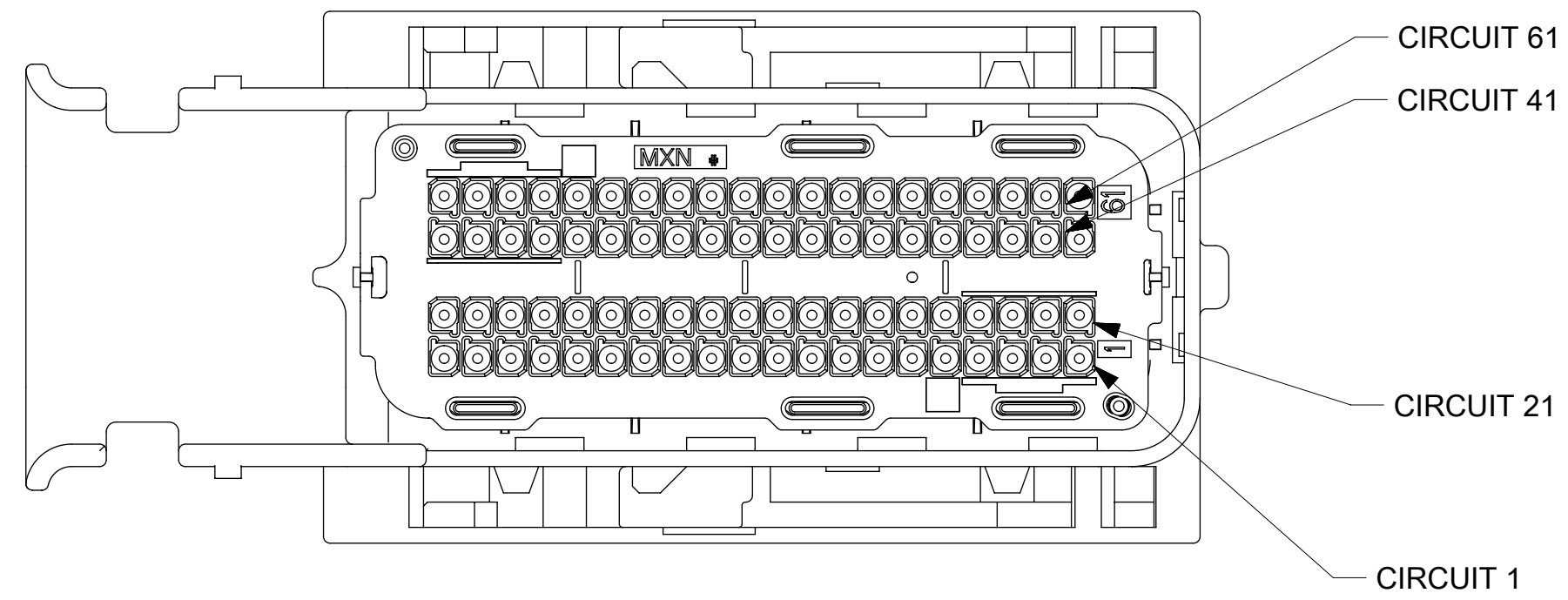


KEY L

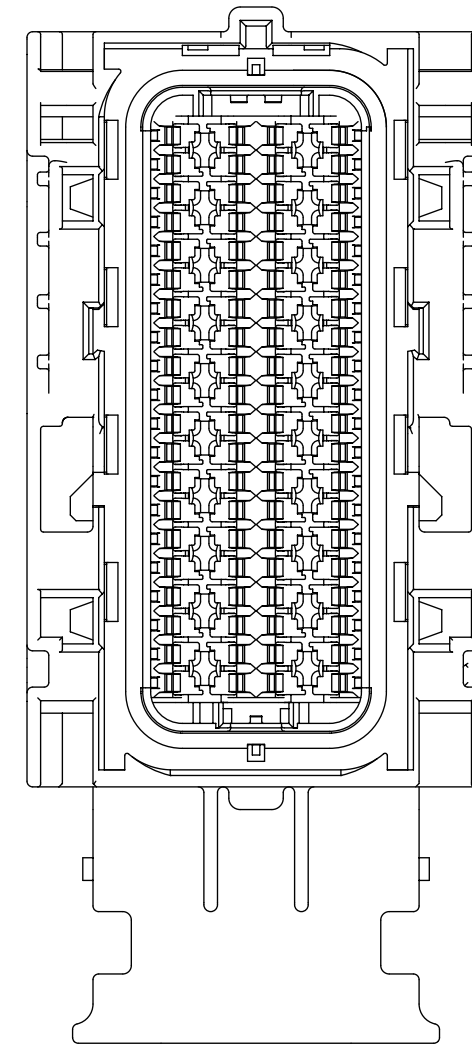


KEY M

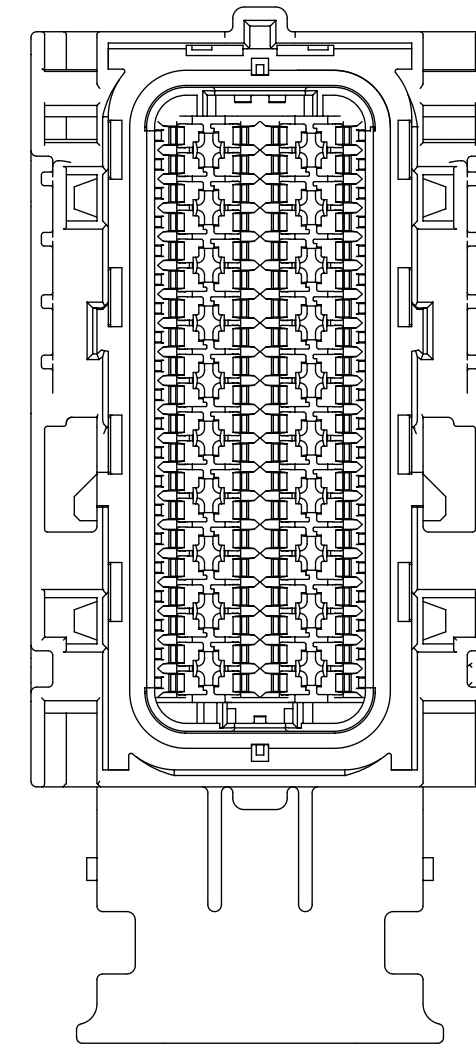
WIRE DRESS OPTION 9



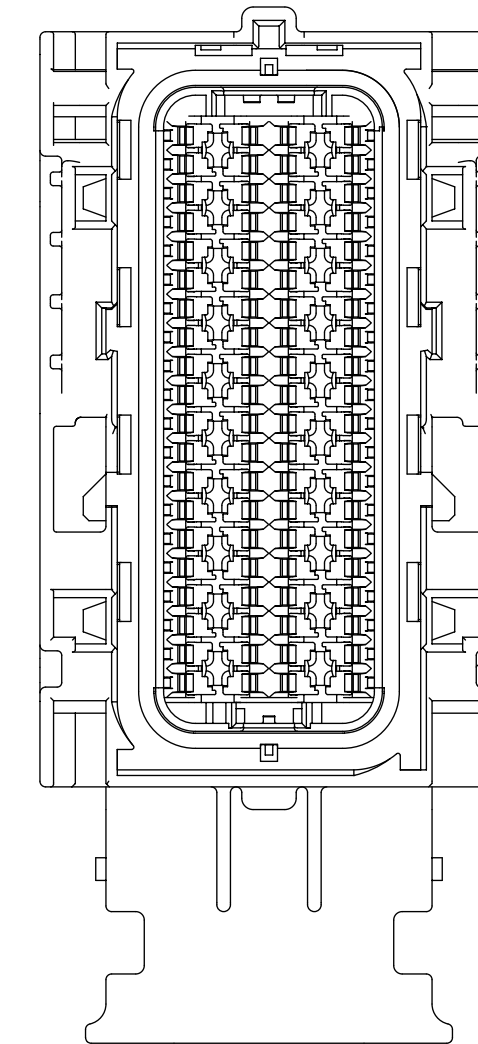
KEY G



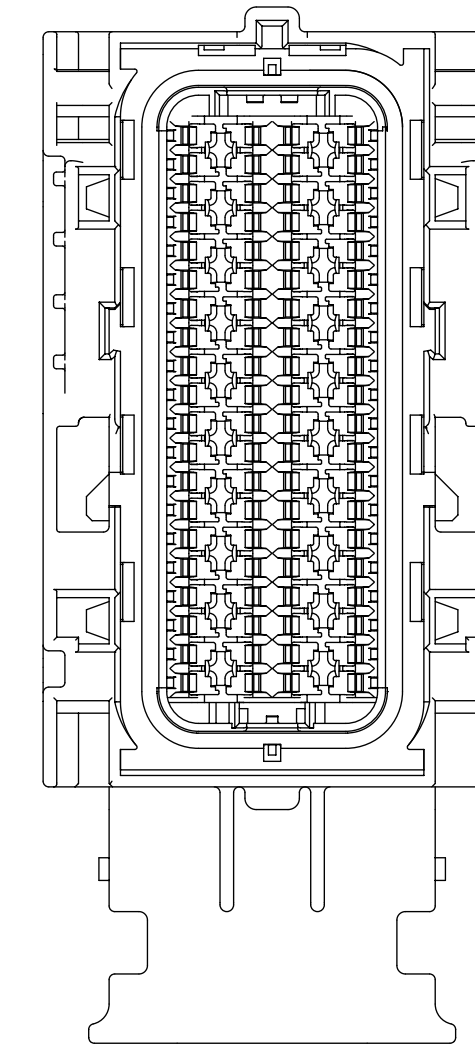
KEY H



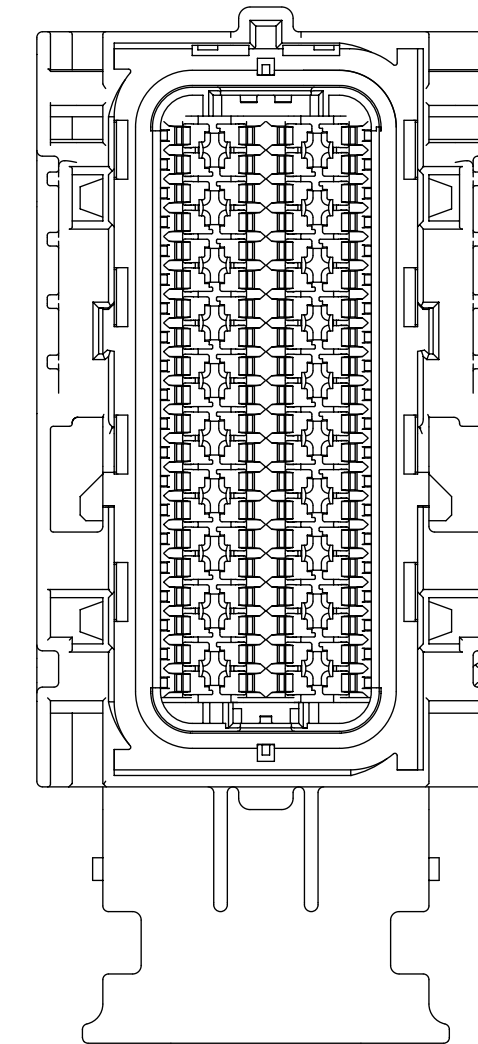
KEY J



KEY K



KEY L



KEY M

SYMBOLS	THIS DRAWING CONTAINS INFORMATION THAT IS PROPRIETARY TO MOLEX ELECTRONIC TECHNOLOGIES, LLC AND SHOULD NOT BE USED WITHOUT WRITTEN PERMISSION		
	DIMENSION UNITS	SCALE	CURRENT REV DESC:
▽ = 0	MM		EC NO: 605052 DRWN: HKLIANG 2018/09/27 CHK'D: JDENG02 2018/10/10 APPR: JDENG02 2018/10/10 INITIAL REVISION: DRWN: TYE 2016/05/06 APPR: SKRAJENDRANA 2016/08/22
▽ = 0	GENERAL TOLERANCES (UNLESS SPECIFIED)		
▽ = 0	ANGULAR TOL	± °	
▽ = 0	4 PLACES	±	
▽ = 0	3 PLACES	±	
▽ = 0	2 PLACES	±	
▽ = 0	1 PLACE	±	
▽ = 0	0 PLACES	±	
■ = 0	DRAFT WHERE APPLICABLE MUST REMAIN WITHIN DIMENSIONS		THIRD ANGLE PROJECTION
▽ = 0			DRAWING SERIES
			D-SIZE 34566
DOCUMENT STATUS		RELEASE DATE	MATERIAL NUMBER
P1	2018/10/10 03:26:09	2018/10/10	SD-34566-001
DOCUMENT NUMBER		DOC TYPE	DOC PART
SD-34566-001		PSD	000
REVISION		REVISION	
G63		G63	
CUSTOMER		SHEET NUMBER	
GENERAL MARKET		2 OF 8	

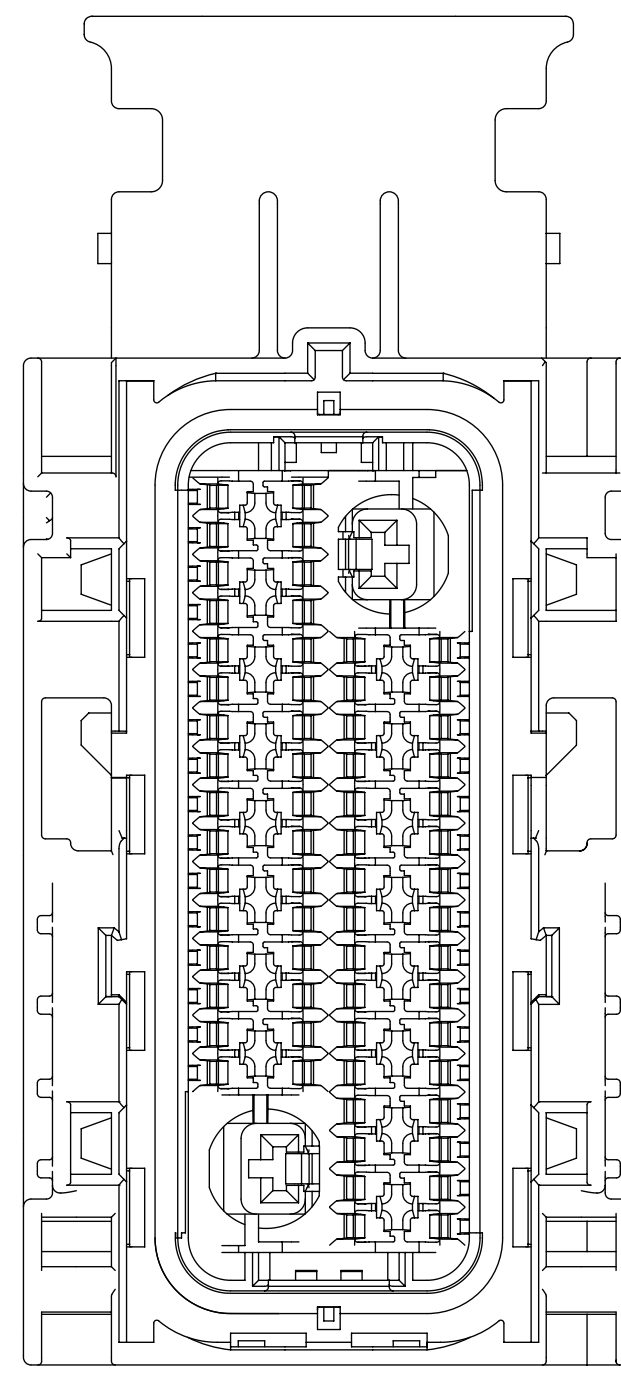
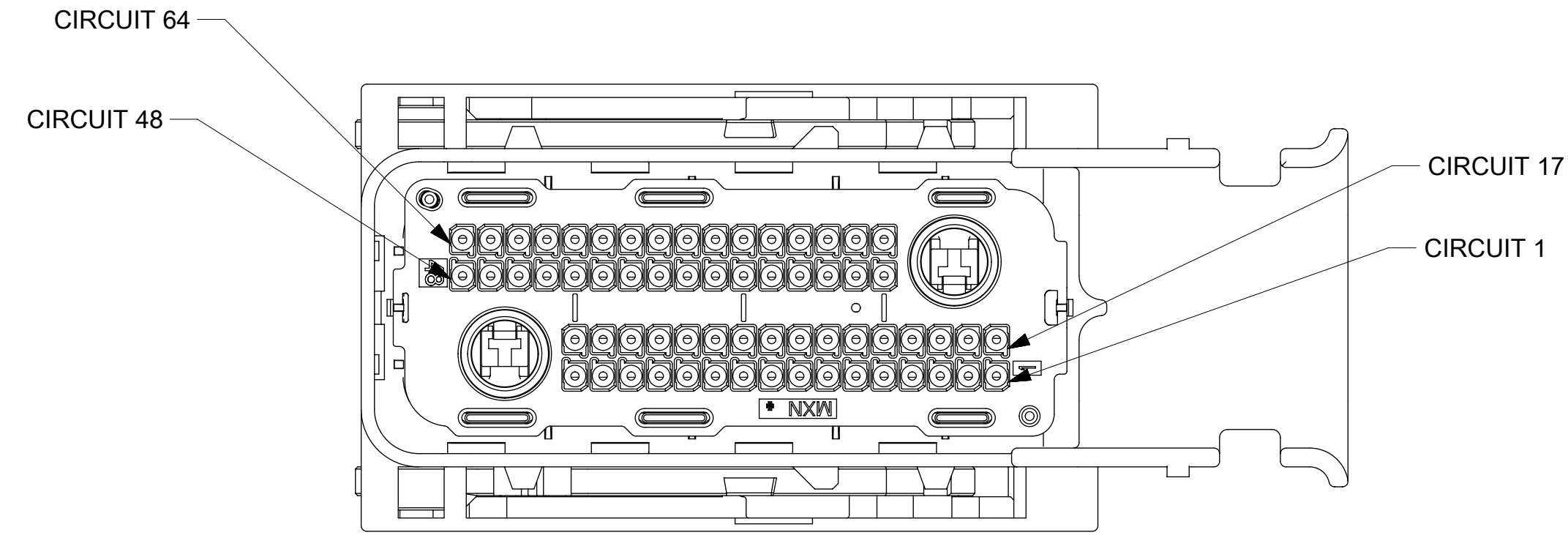
molex

MX123
66/73/80CKT HRNS CONN ASSY

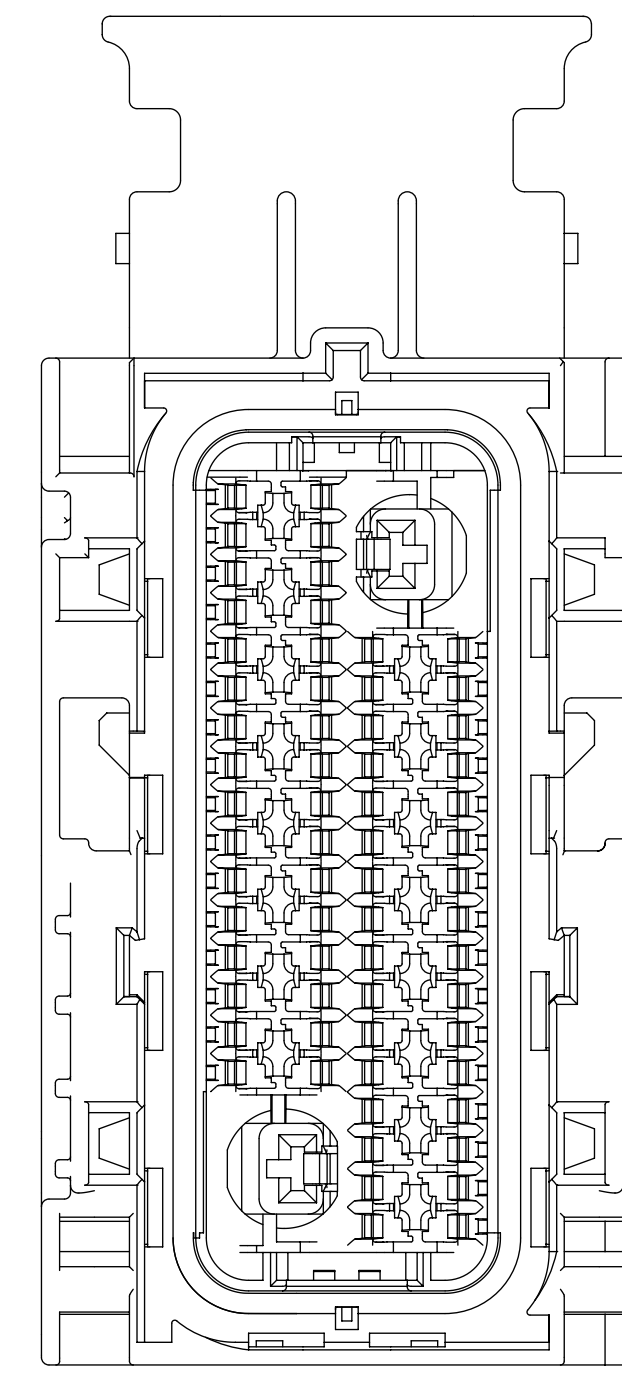
PRODUCT CUSTOMER DRAWING

HOUSING ONLY, SHOWN FOR CLARITY

66 CKT
WIRE DRESS OPTION 0

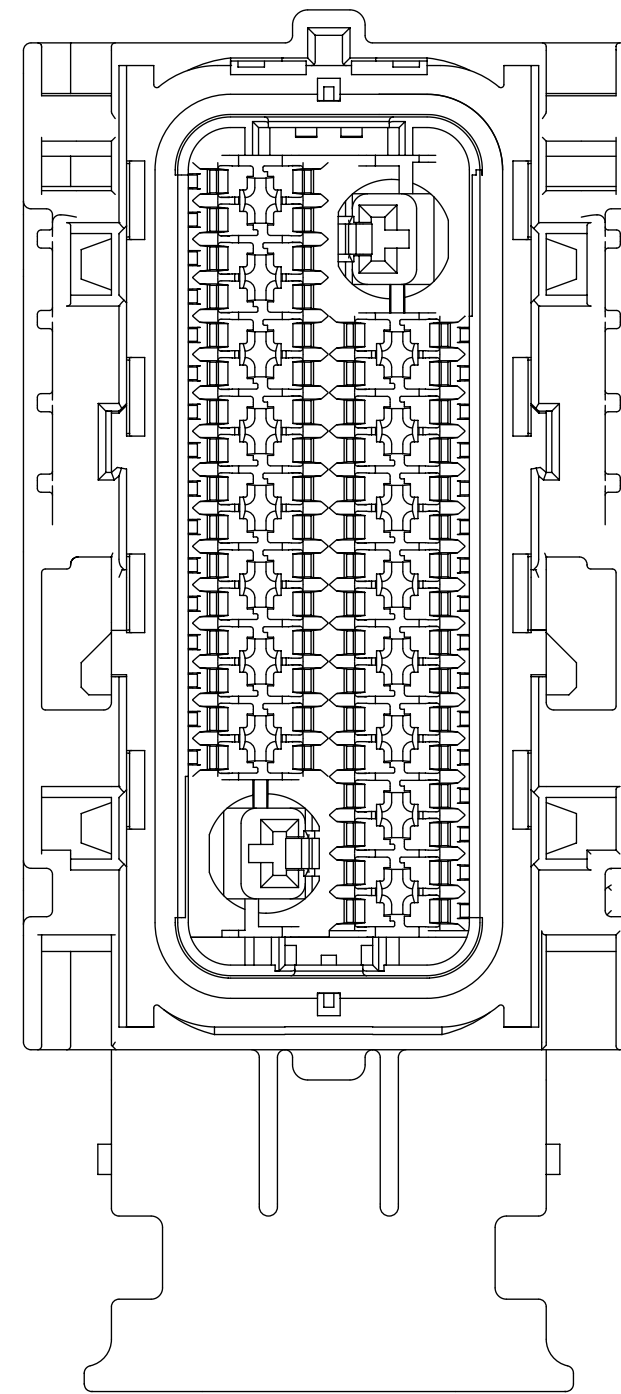
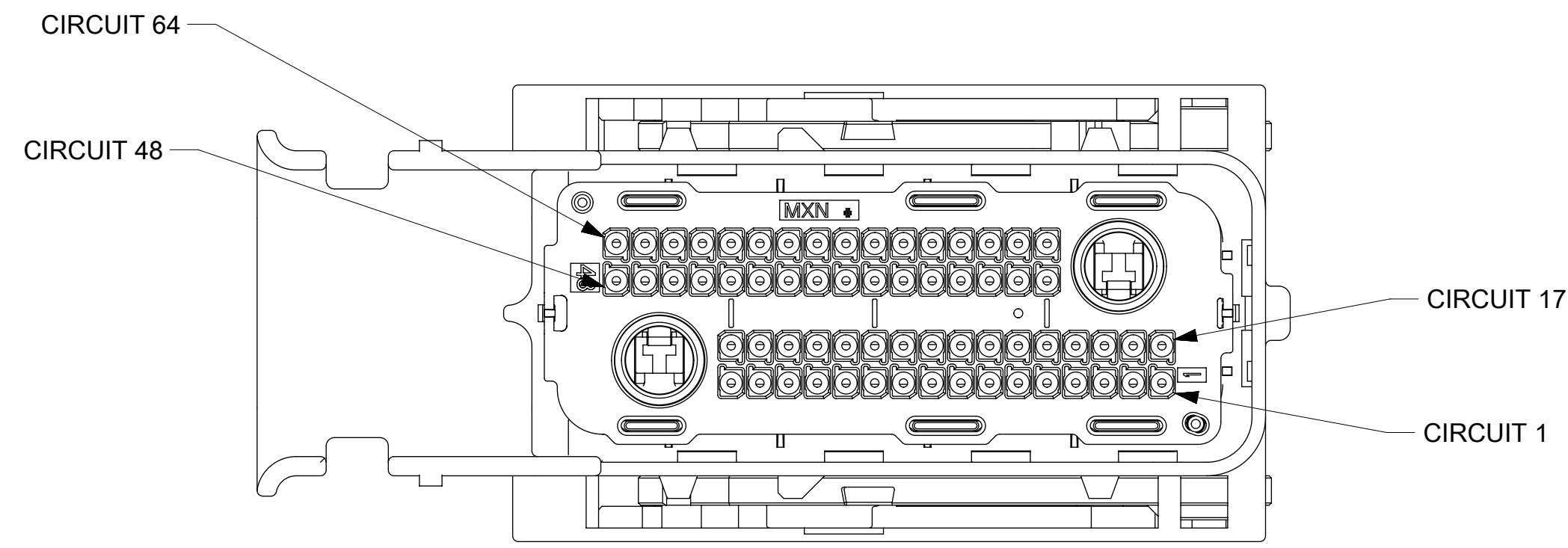


KEY A

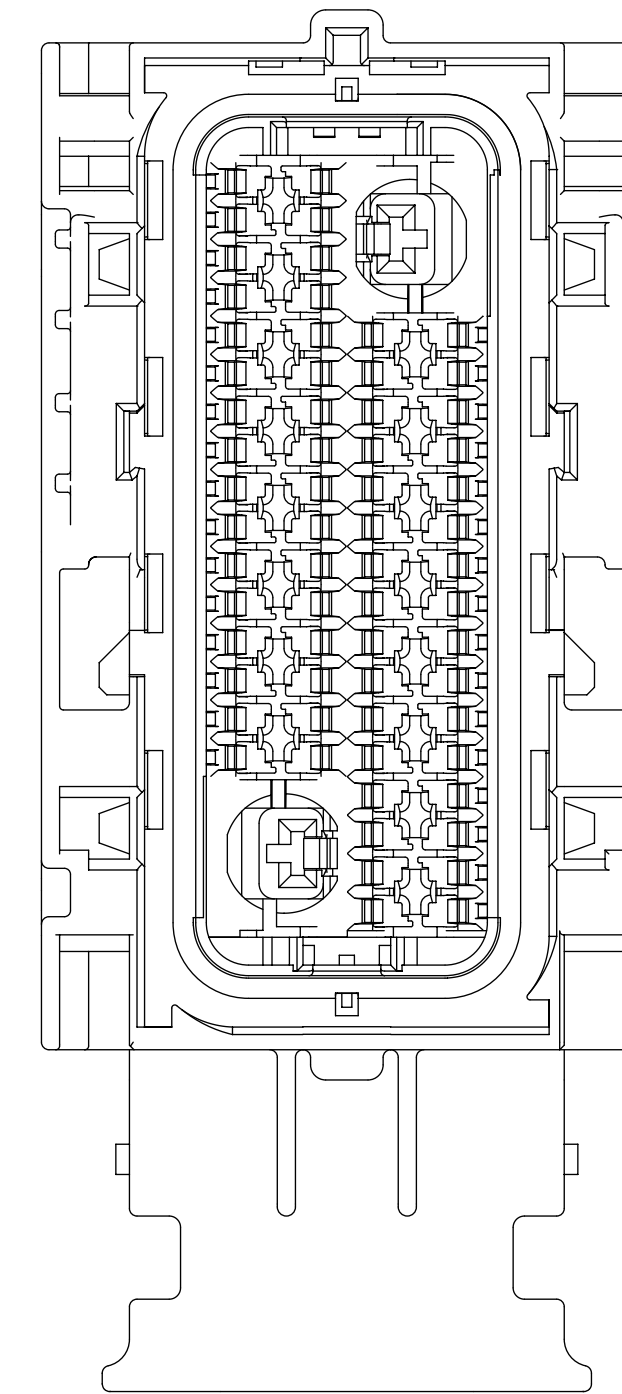


KEY C

WIRE DRESS OPTION 9



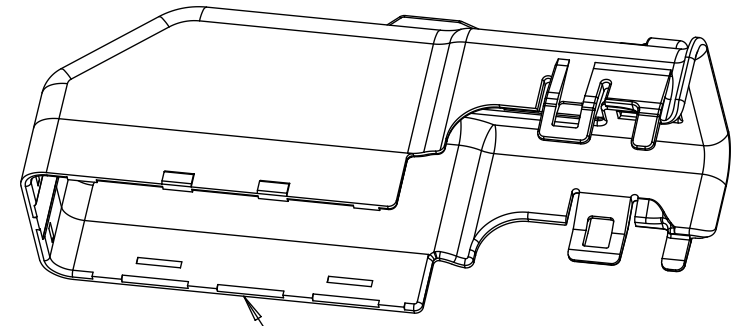
KEY A



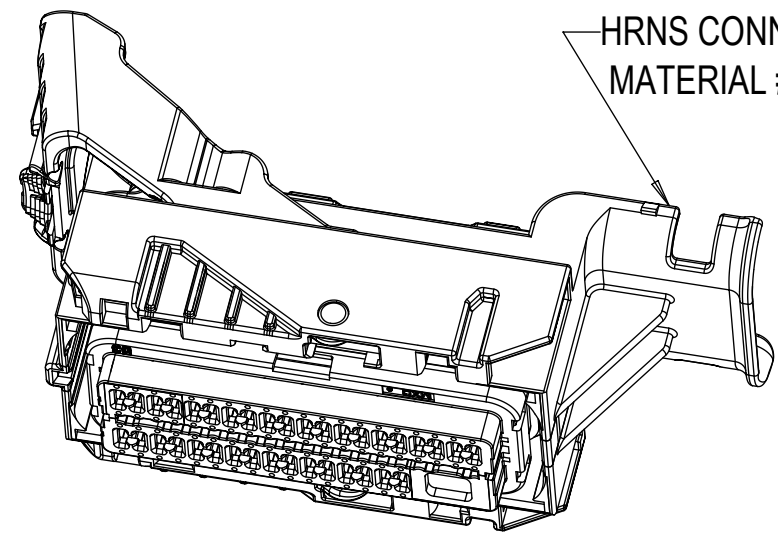
KEY C

SYMBOLS = 0 = 0 = 0 = 0 = 0 = 0 = 0 = 0 = 0 = 0	THIS DRAWING CONTAINS INFORMATION THAT IS PROPRIETARY TO MOLEX ELECTRONIC TECHNOLOGIES, LLC AND SHOULD NOT BE USED WITHOUT WRITTEN PERMISSION		CURRENT REV DESC:				
	DIMENSION UNITS MM	SCALE 2:1	EC NO: 605052 DRWN: HKLIANG 2018/09/27 CHK'D: JDENG02 2018/10/10 APPR: JDENG02 2018/10/10				
	GENERAL TOLERANCES (UNLESS SPECIFIED)		INITIAL REVISION:		PRODUCT CUSTOMER DRAWING		
	ANGULAR TOL ± °		DRWN: TYE 2016/05/06 APPR: SKRAJENDRANA 2016/08/22		DOCUMENT NUMBER SD-34566-001		
	4 PLACES ±		DRAFT WHERE APPLICABLE MUST REMAIN WITHIN DIMENSIONS		DOC TYPE PSD		DOC PART 000
	3 PLACES ±		THIRD ANGLE PROJECTION 		REVISION G63		REVISION 000
	2 PLACES ±		D-SIZE 34566		MATERIAL NUMBER SEE TABLE		CUSTOMER GENERAL MARKET
	1 PLACE ±		SERIES 34566		SHEET NUMBER 4 OF 8		SHEET NUMBER 4 OF 8
	0 PLACES ±						

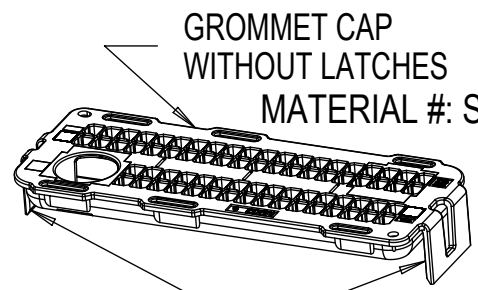
HRNS ASSY COMPONENT LIST



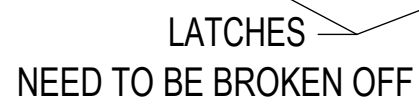
DRESS COVER
MATERIAL #: SEE HRNS ASSY TABLE



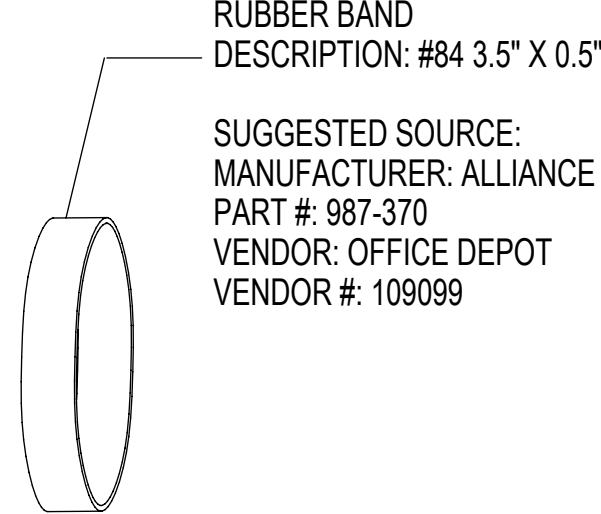
HRNS CONN. ASSY
MATERIAL #: SEE HRNS ASSY TABLE



GROMMET CAP WITHOUT LATCHES
MATERIAL #: SEE HRNS ASSY TABLE

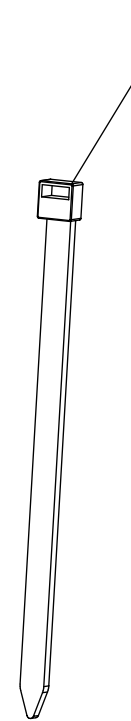


LATCHES
NEED TO BE BROKEN OFF



RUBBER BAND
DESCRIPTION: #84 3.5" X 0.5"

SUGGESTED SOURCE:
MANUFACTURER: ALLIANCE
PART #: 987-370
VENDOR: OFFICE DEPOT
VENDOR #: 109099



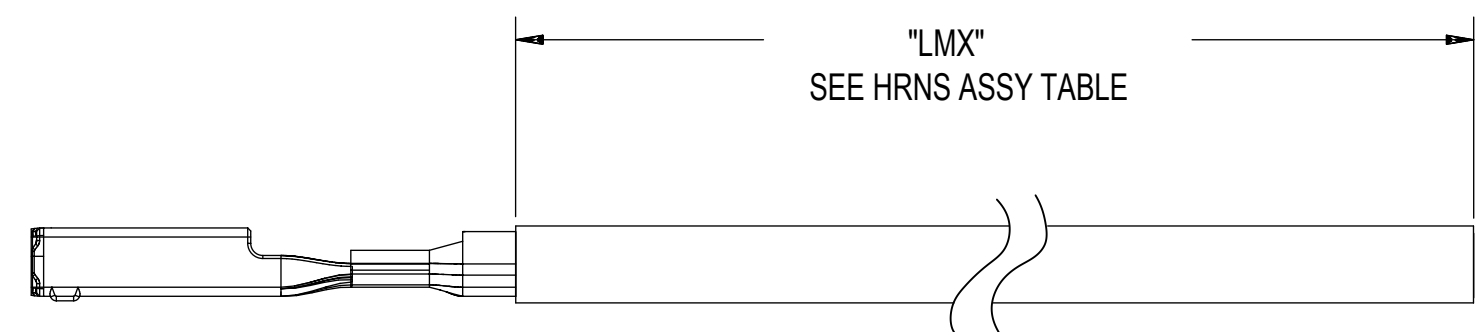
TY-RAP
DESCRIPTION: SIZE TY25 CABLE TIE

SUGGESTED SOURCE:
MANUFACTURER: THOMAS & BETTS
PART #: TY25M
VENDOR: CRESENT ELEC
VENDOR #: 104144

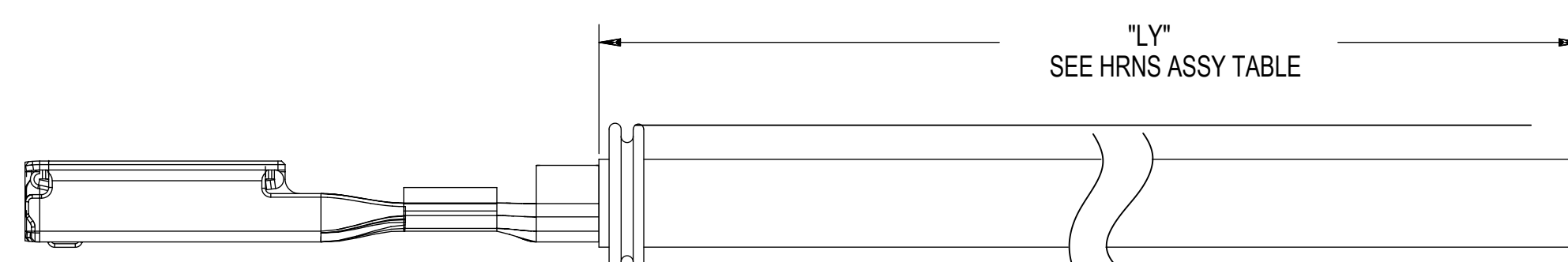
HRNS ASSY



MX64 WIRE ASSY LOOPED
MATERIAL #: SEE HRNS ASSY TABLE



MX64 WIRE ASSY PIGTAIL
MATERIAL #: SEE HRNS ASSY TABLE



2.8mm YESC SEALED FEMALE PIGTAIL ASSY
MATERIAL #: SEE HRNS ASSY TABLE

AWG WIRE HRNS ASSY TABLE

TESTED	HRNS ASSY				HRNS CONN ASSY MATERIAL #	DRESS COVER MATERIAL #	GROMMET CAP MATERIAL #	MX64 WIRE ASSY PER E-33468-001						2.8mm YESC SEALED FEMALE TERMINAL TIN					TY-RAP QTY	RUBBER BAND QTY		
	MATERIAL #	CIRCUIT ID	KEY OPTION	WIRE DRESS OPTION				MATERIAL #	MATERIAL #	MATERIAL #	MATERIAL #	RCPT PLATING	SAE WIRE SIZE #	WIRE TYPE	PIGTAIL OR LOOPED	"LMX" IN METERS 10%	QTY	MATERIAL #			SAE WIRE SIZE #	WIRE TYPE
NO	34070-9234	80	H	0	34566-0803	34565-0003	34571-0301	334670203	Ag	18	TXL	PGTL	3	80	N/A	N/A	N/A	N/A	N/A	N/A	6	0
NO	34070-9934	73	A	0	34566-0103	34565-0003	34571-0101	334670203	Ag	18	TXL	PGTL	3	72	343670005	14	TXL	PGTL	3	1	6	0
NO	34070-9834	73	B	0	34566-0203	34565-0003	34571-0101	334670203	Ag	18	TXL	PGTL	3	72	343670005	14	TXL	PGTL	3	1	6	0
(H30) NO	34330-9214	80	H	0	34566-0803	34565-0003	N/A	334670204	Ag	18	TXL	LPD	1	40	N/A	N/A	N/A	N/A	N/A	N/A	3	1
NO	34330-9914	73	A	0	34566-0103	34565-0003	N/A	334670204	Ag	18	TXL	LPD	1	36	343670005	14	TXL	LPD	3	1	3	1
NO	34330-9814	73	B	0	34566-0203	34565-0003	N/A	334670204	Ag	18	TXL	LPD	1	36	343670005	14	TXL	LPD	3	1	3	1
(H30) NO	34333-9214	80	H	0	34566-0803	34565-0003	34571-0301	334670205	Ag	18	PTFE	PGTL	1	40	N/A	N/A	N/A	N/A	N/A	N/A	3	0
NO	34333-9914	73	A	0	34566-0103	34565-0003	34571-0101	334670205	Ag	18	PTFE	PGTL	1	72	N/A	14	PTFE	PGTL	1	1	3	0
NO	34333-9814	73	B	0	34566-0203	34565-0003	34571-0101	334670205	Ag	18	PTFE	PGTL	1	72	N/A	14	PTFE	PGTL	1	1	3	0
NO	34333-9234	80	H	0	34566-0803	34565-0003	34570-0301	334670206	Ag	18	PTFE	PGTL	3	80	N/A	N/A	N/A	N/A	N/A	N/A	6	0
NO	34333-9934	73	A	0	34566-0103	34565-0003	34571-0101	334670206	Ag	18	PTFE	PGTL	3	72	343670006	14	PTFE	PGTL	3	1	6	0
NO	34333-9834	73	B	0	34566-0203	34565-0003	34571-0101	334670206	Ag	18	PTFE	PGTL	3	72	343670006	14	PTFE	PGTL	3	1	6	0
NO	34070-8734	66	A	0	34822-0013	34565-0003	34822-5011	334670203	Ag	18	TXL	PGTL	3	64	343670005	14	TXL	PGTL	3	2	3	0
NO	34070-8754	66	A	0	34822-0013	34565-0003	34822-5011	334670203	Ag	18	TXL	PGTL	5	64	343670007	14	TXL	PGTL	5	2	10	0
NO	34070-9434	73	F	0	34070-0603	34565-0003	34571-0101	334670203	Ag	18	TXL	PGTL	3	72	343670005	14	TXL	PGTL	3	1	6	0
NO	34070-9434	73	F	9	34070-1803	34565-0003	34571-0501	334670203	Ag	18	TXL	PGTL	3	72	343670005	14	TXL	PGTL	3	1	6	0
NO	34070-8534	66	C	0	34822-0033	34565-0003	34571-5011	334670203	Ag	18	TXL	PGTL	3	64	343670005	14	TXL	PGTL	3	2	3	0
NO	34070-8704	66	A	0	34822-0013	34822-0033	34822-5031	N/A	N/A	N/A	N/A	N/A	N/A	N/A	343670005	14	TXL	PGTL	3	2	N/A	N/A
NO	34070-8504	66	C	0	34822-0033	34822-0033	34822-5031	N/A	N/A	N/A	N/A	N/A	N/A	N/A	343670005	14	TXL	PGTL	3	2	N/A	N/A
NO	34330-8734	66	A	0	34822-0013 (QTY2)	34565-0003	N/A	334670208	Ag	18	TXL	LPD	3	64	343670008	14	TXL	LPD	3	2	3	N/A

PRODUCTION PART # FOR HARNESS ASSEMBLY (WITH WIRES) XXXXX-KKWP

XXXXX- SERIES NUMBER			
SERIES #	CKT SIZE	WIRE TYPE	WIRE DRESS
34070	73/80/66	TXL	PGTL
34330	73/80/66	TXL	LPD
34333	73/80/66	PTFE	PGTL

KK- HARNESS CONNECTOR KEY	
#	73/80 KEY
99	A
98	B
97	C
96	D
95	E
94	F
93	G
92	H
91	J
90	K
89	L
88	M
#	66 KEY
87	A
86	B
85	C

W- MX64 CRIMPED LEAD WIRE LENGTH (m)

P- MX64 RECPT. TERMINAL PLATING
3 - Au
4 - Ag

NOTES: UNLESS OTHERWISE SPECIFIED APPLIES TO "HRNS ASSY" ONLY
1. REFER TO: PACKAGING DRAWING # PK-31300-078
2. FOR HRNS ASSY WITH WIRE ASSY SEE NEXT PAGE

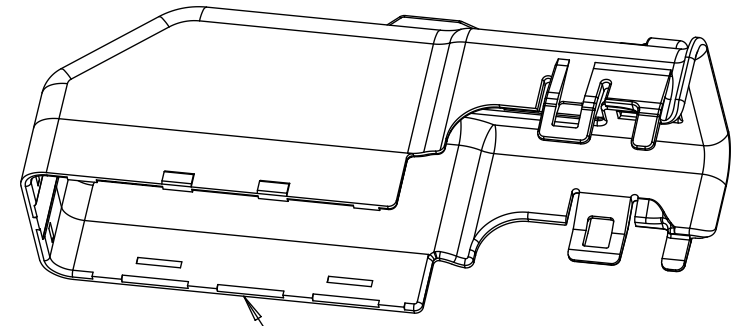
SYMBOLS	THIS DRAWING CONTAINS INFORMATION THAT IS PROPRIETARY TO MOLEX ELECTRONIC TECHNOLOGIES, LLC AND SHOULD NOT BE USED WITHOUT WRITTEN PERMISSION		CURRENT REV DESC:		
	DIMENSION UNITS: MM SCALE: GENERAL TOLERANCES (UNLESS SPECIFIED) ANGULAR TOL: ± ° 4 PLACES ± 3 PLACES ± 2 PLACES ± 1 PLACE ± 0 PLACES ± DRAFT WHERE APPLICABLE MUST REMAIN WITHIN DIMENSIONS	EC NO: 605052 DRWN: HKLIANG 2018/09/27 CHK'D: JDENG02 2018/10/10 APPR: JDENG02 2018/10/10 INITIAL REVISION: DRWN: TYE 2016/05/06 APPR: SKRAJENDRANA 2016/08/22	MX123 66/73/80CKT HRNS CONN ASSY PRODUCT CUSTOMER DRAWING		
DOCUMENT STATUS: P1 RELEASE DATE: 2018/10/10 03:26:09	DRAFT WHERE APPLICABLE MUST REMAIN WITHIN DIMENSIONS		THIRD ANGLE PROJECTION: D-SIZE	SERIES: 34566	MATERIAL NUMBER: SEE TABLE CUSTOMER: GENERAL MARKET SHEET NUMBER: 5 OF 8

AWG WIRE HRNS ASSY TABLE

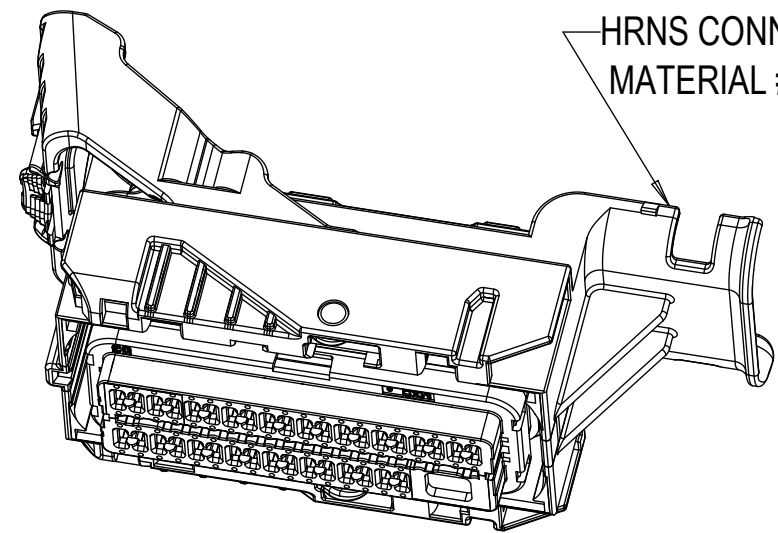
TESTED	HRNS ASSY				HRNS CONN ASSY MATERIAL #	DRESS COVER MATERIAL #	GROMMET CAP MATERIAL #	MX64 WIRE ASSY PER E-33468-001						2.8mm YESC SEALED FEMALE TERMINAL TIN						TY-RAP QTY	RUBBER BAND QTY	
	MATERIAL #	CIRCUIT ID	KEY OPTION	WIRE DRESS OPTION				MATERIAL #	MATERIAL #	MATERIAL #	MATERIAL #	RCPT PLATING	SAE WIRE SIZE #	WIRE TYPE	PIGTAIL OR LOOPED	"LMX" IN METERS 10%	QTY	MATERIAL #	SAE WIRE SIZE #			WIRE TYPE
NO	34070-9933	73	A	0	34566-0103	34565-0003	34571-0101	334670103	Au	18	TXL	PGTL	3	72	343670005	14	TXL	PGTL	3	1	6	0
NO	34070-9833	73	B	0	34566-0203	34565-0003	34571-0101	334670103	Au	18	TXL	PGTL	3	72	343670005	14	TXL	PGTL	3	1	6	0
NO	34070-9913	73	A	0	34566-0103	34565-0003	34571-0101	334670102	Au	18	TXL	PGTL	1	72	343670005	14	TXL	PGTL	3	1	3	0
NO	34070-9813	73	B	0	34566-0203	34565-0003	34571-0101	334670102	Au	18	TXL	PGTL	1	72	343670005	14	TXL	PGTL	3	1	3	0
NO	34333-9913	73	A	0	34566-0103	34565-0003	34571-0101	334670105	Au	18	PTFE	PGTL	1	72	N/A	14	PTFE	PGTL	1	1	3	0
NO	34333-9813	73	B	0	34566-0203	34565-0003	34571-0101	334670105	Au	18	PTFE	PGTL	1	72	N/A	14	PTFE	PGTL	1	1	3	0
NO	34333-9933	73	A	0	34566-0103	34565-0003	34571-0101	334670106	Au	18	PTFE	PGTL	3	72	343670006	14	PTFE	PGTL	3	1	6	0
NO	34333-9833	73	B	0	34566-0203	34565-0003	34571-0101	334670106	Au	18	PTFE	PGTL	3	72	343670006	14	PTFE	PGTL	3	1	6	0
NO	34070-9233	80	H	0	34566-0803	34565-0003	34571-0301	334670103	Au	18	TXL	PGTL	3	80	N/A	N/A	N/A	N/A	N/A	N/A	6	0
NO	34070-9213	80	H	0	34566-0803	34565-0003	34571-0301	334670102	Au	18	TXL	PGTL	1	80	N/A	N/A	N/A	N/A	N/A	N/A	3	0
NO	34333-9213	80	H	0	34566-0803	34565-0003	34571-0301	334670105	Au	18	PTFE	PGTL	1	80	N/A	N/A	N/A	N/A	N/A	N/A	3	0
NO	34333-9233	80	H	0	34566-0803	34565-0003	34571-0301	334670106	Au	18	PTFE	PGTL	3	80	N/A	N/A	N/A	N/A	N/A	N/A	6	0
YES	34330-9913	73	A	0	34566-0103	34565-0003	N/A	334670104	Au	18	TXL	LPD	1	36	343670005	14	TXL	LPD	3	1	3	1
YES	34330-9813	73	B	0	34566-0203	34565-0003	N/A	334670104	Au	18	TXL	LPD	1	36	343670005	14	TXL	LPD	3	1	3	1
(H30) YES	34330-9213	80	H	0	34566-0803	34565-0003	34571-0301	334670104	Au	18	TXL	LPD	1	40	N/A	N/A	N/A	N/A	N/A	N/A	3	1
NO	34070-9733	73	C	0	34566-0303	34565-0003	34571-0101	334670103	Au	18	TXL	PGTL	3	72	343670005	14	TXL	PGTL	3	1	6	0
NO	34070-9713	73	C	0	34566-0303	34565-0003	34571-0101	334670102	Au	18	TXL	PGTL	1	72	343670005	14	TXL	PGTL	3	1	3	0
NO	34330-9713	73	C	0	34566-0303	34565-0003	34571-0101	334670104	Au	18	TXL	LPD	1	36	343670005	14	TXL	LPD	3	1	3	1
NO	34333-9713	73	C	0	34566-0303	34565-0003	34571-0101	334670105	Au	18	PTFE	PGTL	1	72	N/A	14	PTFE	PGTL	1	1	3	0
NO	34333-9733	73	C	0	34566-0303	34565-0003	34571-0101	334670106	Au	18	PTFE	PGTL	3	72	343670006	14	PTFE	PGTL	3	1	6	0
NO	34070-9333	80	G	0	34566-0703	34565-0003	34571-0301	334670103	Au	18	TXL	PGTL	3	80	N/A	N/A	N/A	N/A	N/A	N/A	6	0
NO	34070-9313	80	G	0	34566-0703	34565-0003	34571-0301	334670102	Au	18	TXL	PGTL	1	80	N/A	N/A	N/A	N/A	N/A	N/A	3	0
(H30) NO	34330-9313	80	G	0	34566-0703	34565-0003	34571-0301	334670104	Au	18	TXL	LPD	1	40	N/A	N/A	N/A	N/A	N/A	N/A	3	1
NO	34333-9313	80	G	0	34566-0703	34565-0003	34571-0301	334670105	Au	18	PTFE	PGTL	1	80	N/A	N/A	N/A	N/A	N/A	N/A	3	0
NO	34333-9333	80	G	0	34566-0703	34565-0003	34571-0301	334670106	Au	18	PTFE	PGTL	3	80	N/A	N/A	N/A	N/A	N/A	N/A	6	0
NO	34070-9934	73	A	0	34566-0103	34565-0003	34571-0101	334670203	Ag	18	TXL	PGTL	3	72	343670005	14	TXL	PGTL	3	1	6	0
NO	34070-9834	73	B	0	34566-0203	34565-0003	34571-0101	334670203	Ag	18	TXL	PGTL	3	72	343670005	14	TXL	PGTL	3	1	6	0
NO	34070-9914	73	A	0	34566-0103	34565-0003	34571-0101	334670202	Ag	18	TXL	PGTL	1	72	343670005	14	TXL	PGTL	3	1	3	0
NO	34070-9814	73	B	0	34566-0203	34565-0003	34571-0101	334670202	Ag	18	TXL	PGTL	1	72	343670005	14	TXL	PGTL	3	1	3	0
NO	34070-9234	80	H	0	34566-0803	34565-0003	34571-0301	334670203	Ag	18	TXL	PGTL	3	80	N/A	N/A	N/A	N/A	N/A	N/A	6	0
NO	34070-9214	80	H	0	34566-0803	34565-0003	34571-0301	334670202	Ag	18	TXL	PGTL	1	80	N/A	N/A	N/A	N/A	N/A	N/A	3	0
YES	34330-9914	73	A	0	34566-0103	34565-0003	N/A	334670204	Ag	18	TXL	LPD	1	36	343670005	14	TXL	LPD	3	1	3	1
YES	34330-9814	73	B	0	34566-0203	34565-0003	N/A	334670204	Ag	18	TXL	LPD	1	36	343670005	14	TXL	LPD	3	1	3	1
(H30) YES	34330-9214	80	H	0	34566-0803	34565-0003	34571-0301	334670204	Ag	18	TXL	LPD	1	40	N/A	N/A	N/A	N/A	N/A	N/A	3	1
NO	34070-9734	73	C	0	34566-0303	34565-0003	34571-0101	334670203	Ag	18	TXL	PGTL	3	72	343670005	14	TXL	PGTL	3	1	6	0
NO	34070-9714	73	C	0	34566-0303	34565-0003	34571-0101	334670202	Ag	18	TXL	PGTL	1	72	343670005	14	TXL	PGTL	3	1	3	0
NO	34330-9714	73	C	0	34566-0303	34565-0003	N/A	334670204	Ag	18	TXL	LPD	1	36	343670005	14	TXL	LPD	3	1	3	1
NO	34070-9334	80	G	0	34566-0703	34565-0003	34571-0301	334670203	Ag	18	TXL	PGTL	3	80	N/A	N/A	N/A	N/A	N/A	N/A	6	0
NO	34070-9314	80	G	0	34566-0703	34565-0003	34571-0301	334670202	Ag	18	TXL	PGTL	1	80	N/A	N/A	N/A	N/A	N/A	N/A	3	0
(H30) NO	34330-9314	80	G	0	34566-0703	34565-0003	N/A	334670204	Ag	18	TXL	LPD	1	40	N/A	N/A	N/A	N/A	N/A	N/A	3	1
NO	34070-9414	73	F	0	34566-0603	34565-0003	34571-0101	334670204	Ag	18	TXL	PGTL	1	72	343670001	14	TXL	PGTL	1	1	3	0
NO	34070-9434	73	F	0	34566-0603	34565-0003	34571-0101	334670204	Ag	18	TXL	PGTL	3	72	343670005	14	TXL	PGTL	3	1	6	0
NO	34333-9734	73	C	0	34566-0303	34565-0003	34571-0101	334670206	Ag	18	PTFE	PGTL	3	72	343670006	14	PTFE	PGTL	3	1	6	0

SYMBOLS	THIS DRAWING CONTAINS INFORMATION THAT IS PROPRIETARY TO MOLEX ELECTRONIC TECHNOLOGIES, LLC AND SHOULD NOT BE USED WITHOUT WRITTEN PERMISSION DIMENSION UNITS: MM SCALE: CURRENT REV DESC: GENERAL TOLERANCES (UNLESS SPECIFIED) ANGULAR TOL: ± ° 4 PLACES ± 3 PLACES ± 2 PLACES ± 1 PLACE ± 0 PLACES ± DRAFT WHERE APPLICABLE MUST REMAIN WITHIN DIMENSIONS	EC NO: 605052 DRWN: HKLIANG 2018/09/27 CHK'D: JDENG02 2018/10/10 APPR: JDENG02 2018/10/10 INITIAL REVISION: DRWN: TYE 2016/05/06 APPR: SKRAJENDRANA 2016/08/22 THIRD ANGLE PROJECTION 	MX123 66/73/80CKT HRNS CONN ASSY PRODUCT CUSTOMER DRAWING DOCUMENT NUMBER: SD-34566-001 DOC TYPE: PSD DOC PART: 000 REVISION: G63 MATERIAL NUMBER: SEE TABLE CUSTOMER: GENERAL MARKET SHEET NUMBER: 6 OF 8
---------	---	--	--

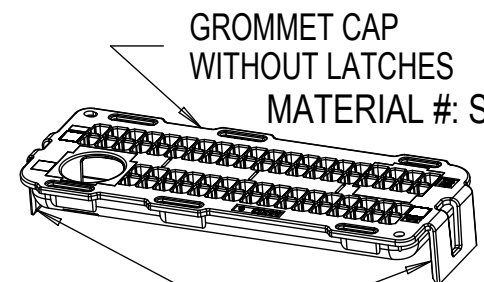
HRNS ASSY COMPONENT LIST



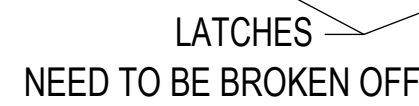
DRESS COVER
MATERIAL #: SEE HRNS ASSY TABLE



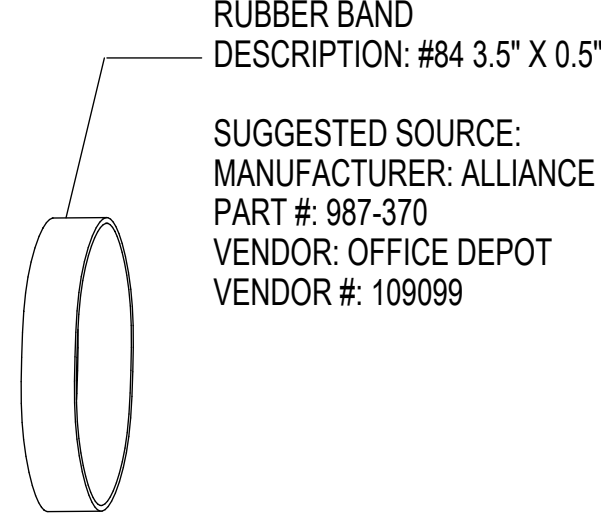
HRNS CONN. ASSY
MATERIAL #: SEE HRNS ASSY TABLE



GROMMET CAP WITHOUT LATCHES
MATERIAL #: SEE HRNS ASSY TABLE

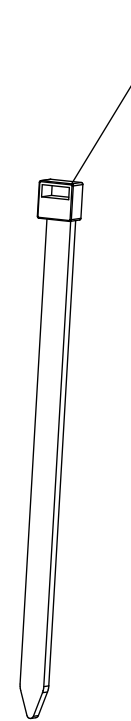


LATCHES
NEED TO BE BROKEN OFF



RUBBER BAND
DESCRIPTION: #84 3.5" X 0.5"

SUGGESTED SOURCE:
MANUFACTURER: ALLIANCE
PART #: 987-370
VENDOR: OFFICE DEPOT
VENDOR #: 109099



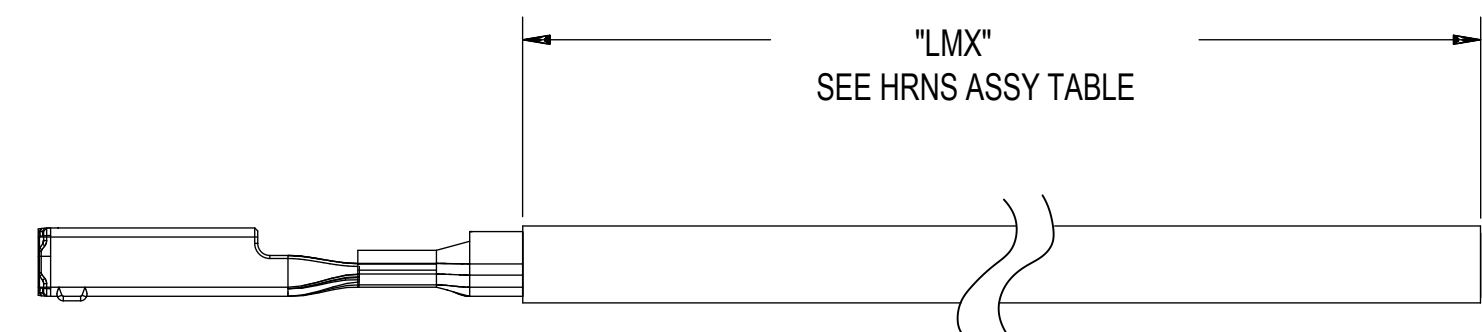
TY-RAP
DESCRIPTION: SIZE TY25 CABLE TIE

SUGGESTED SOURCE:
MANUFACTURER: THOMAS & BETTS
PART #: TY25M
VENDOR: CRESENT ELEC
VENDOR #: 104144

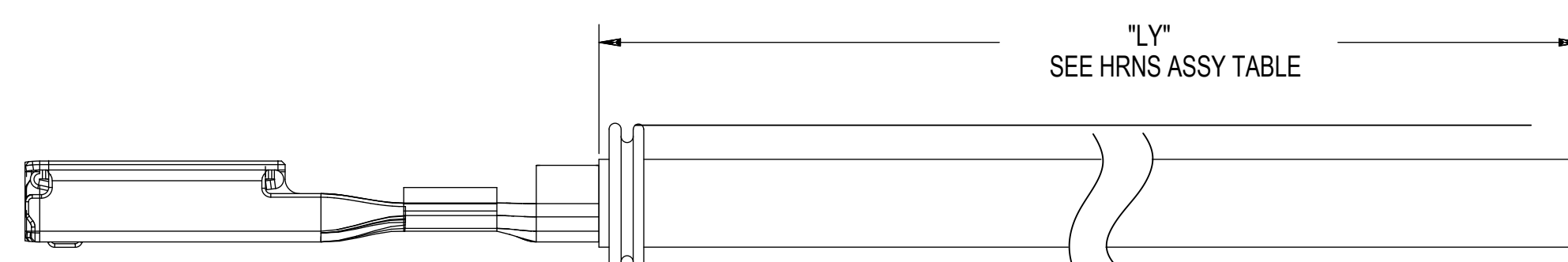
HRNS ASSY



MX64 WIRE ASSY LOOPED
MATERIAL #: SEE HRNS ASSY TABLE



MX64 WIRE ASSY PIGTAIL
MATERIAL #: SEE HRNS ASSY TABLE



2.8mm YESC SEALED FEMALE PIGTAIL ASSY
MATERIAL #: SEE HRNS ASSY TABLE

ISO WIRE HRNS ASSY TABLE

TESTED	HRNS ASSY				HRNS CONN ASSY MATERIAL #	DRESS COVER MATERIAL #	GROMMET CAP MATERIAL #	MX64 WIRE ASSY PER E-33468-001						2.8mm YESC SEALED FEMALE TERMINAL TIN					TY-RAP QTY	RUBBER BAND QTY		
	MATERIAL #	CIRCUIT ID	KEY OPTION	WIRE DRESS OPTION				MATERIAL #	MATERIAL #	MATERIAL #	MATERIAL #	RCPT PLATING	WIRE SIZE mm ²	WIRE TYPE	PIGTAIL OR LOOPED	"LMX" IN METERS 10%	QTY	MATERIAL #			WIRE SIZE # mm ²	WIRE TYPE
NO	2047789931	73	A	0	34566-0103	34565-0003	34571-0101	2047801003	Ag	0.35	ISO	PGTL	3	72	2047811003	2	ISO	PGTL	3	1	6	0
NO	2047789831	73	B	0	34566-0203	34565-0003	34571-0101	2047801003	Ag	0.35	ISO	PGTL	3	72	2047811003	2	ISO	PGTL	3	1	6	0
NO	2047789731	73	C	0	34566-0303	34565-0003	34571-0101	2047801003	Ag	0.35	ISO	PGTL	3	72	2047811003	2	ISO	PGTL	3	1	6	0
NO	2047789431	73	F	0	34566-0603	34565-0003	34571-0101	2047801003	Ag	0.35	ISO	PGTL	3	72	2047811003	2	ISO	PGTL	3	1	6	0
NO	2047789932	73	A	0	34566-0103	34565-0003	34571-0101	2047802003	Ag	0.50	ISO	PGTL	3	72	2047811003	2	ISO	PGTL	3	1	6	0
NO	2047789832	73	B	0	34566-0203	34565-0003	34571-0101	2047802003	Ag	0.50	ISO	PGTL	3	72	2047811003	2	ISO	PGTL	3	1	6	0
NO	2047789732	73	C	0	34566-0303	34565-0003	34571-0101	2047802003	Ag	0.50	ISO	PGTL	3	72	2047811003	2	ISO	PGTL	3	1	6	0
NO	2047789432	73	F	0	34566-0603	34565-0003	34571-0101	2047802003	Ag	0.50	ISO	PGTL	3	72	2047811003	2	ISO	PGTL	3	1	6	0
NO	2047789933	73	A	0	34566-0103	34565-0003	34571-0101	2047803003	Ag	0.75	ISO	PGTL	3	72	2047811003	2	ISO	PGTL	3	1	6	0
NO	2047789833	73	B	0	34566-0203	34565-0003	34571-0101	2047803003	Ag	0.75	ISO	PGTL	3	72	2047811003	2	ISO	PGTL	3	1	6	0
NO	2047789733	73	C	0	34566-0303	34565-0003	34571-0101	2047803003	Ag	0.75	ISO	PGTL	3	72	2047811003	2	ISO	PGTL	3	1	6	0
NO	2047789433	73	F	0	34566-0603	34565-0003	34571-0101	2047803003	Ag	0.75	ISO	PGTL	3	72	2047811003	2	ISO	PGTL	3	1	6	0
NO	2047799911	73	A	0	34566-0103	34565-0003	34571-0101	2047801101	Ag	0.35	ISO	LPD	1	72	2047811101	2	ISO	LPD	1	1	3	0
NO	2047799811	73	B	0	34566-0203	34565-0003	34571-0101	2047801101	Ag	0.35	ISO	LPD	1	72	2047811101	2	ISO	LPD	1	1	3	0
NO	2047799711	73	C	0	34566-0303	34565-0003	34571-0101	2047801101	Ag	0.35	ISO	LPD	1	72	2047811101	2	ISO	LPD	1	1	3	0
NO	2047799411	73	F	0	34566-0603	34565-0003	34571-0101	2047801101	Ag	0.35	ISO	LPD	1	72	2047811101	2	ISO	LPD	1	1	3	0
NO	2047799912	73	A	0	34566-0103	34565-0003	34571-0101	2047802101	Ag	0.50	ISO	LPD	1	72	2047811101	2	ISO	LPD	1	1	3	0
NO	2047799812	73	B	0	34566-0203	34565-0033	34571-0101	2047802101	Ag	0.50	ISO	LPD	1	72	2047811101	2	ISO	LPD	1	1	3	0
NO	2047799712	73	C	0	34566-0303	34565-0033	34571-0101	2047802101	Ag	0.50	ISO	LPD	1	72	2047811101	2	ISO	LPD	1	1	3	0
NO	2047799412	73	F	0	34566-0603	34565-0003	34571-0101	2047802101	Ag	0.50	ISO	LPD	1	72	2047811101	2	ISO	LPD	1	1	3	0
NO	2047799913	73	A	0	34566-0103	34565-0003	34571-0101	2047803101	Ag	0.75	ISO	LPD	1	72	2047811101	2	ISO	LPD	1	1	3	0
NO	2047799813	73	B	0	34566-0203	34565-0003	34571-0101	2047803101	Ag	0.75	ISO	LPD	1	72	2047811101	2	ISO	LPD	1	1	3	0
NO	2047799713	73	C	0	34566-0303	34565-0003	34571-0101	2047803101	Ag	0.75	ISO	LPD	1	72	2047811101	2	ISO	LPD	1	1	3	0
NO	2047799413	73	F	0	34566-0603	34565-0003	34571-0101	2047803101	Ag	0.75	ISO	LPD	1	72	2047811101	2	ISO	LPD	1	1	3	0
NO	2047789333	80	G	0	34566-0703	34565-0003	34571-0301	2047803003	Ag	0.75	ISO	PGTL	3	80	N/A	N/A	N/A	N/A	N/A	N/A	6	0
NO	2047789233	80	H	0	34566-0803	34565-0003	34571-0301	2047803003	Ag	0.75	ISO	PGTL	3	80	N/A	N/A	N/A	N/A	N/A	N/A	6	0

PRODUCTION PART # FOR HARNESS ASSEMBLY (WITH WIRES) XXXXX-KKLW

XXXXXX- SERIES NUMBER			
SERIES #	CKT SIZE	WIRE TYPE	WIRE DRESS
204778	80/73/66	ISO*	PGTL
204779	80/73/66	ISO*	LPD

KK- HARNESS CONNECTOR KEY	
#	73/80 KEY
99	A
98	B
97	C
96	D
95	E
94	F
93	G
92	H
91	J
90	K
89	L
88	M
#	66 KEY
87	A
86	B
85	C

L - MX64 CRIMPED LEAD WIRE LENGTH (m)
W - MX64 CRIMPED LEAD WIRE WIDTH (mm²)
1 - 0.35
2 - 0.50
3 - 0.75

NOTES: UNLESS OTHERWISE SPECIFIED APPLIES TO "HRNS ASSY" ONLY
1. REFER TO: PACKAGING DRAWING # PK-31300-078
2. FOR HRNS ASSY WITH WIRE ASSY SEE NEXT PAGE

SYMBOLS	THIS DRAWING CONTAINS INFORMATION THAT IS PROPRIETARY TO MOLEX ELECTRONIC TECHNOLOGIES, LLC AND SHOULD NOT BE USED WITHOUT WRITTEN PERMISSION		CURRENT REV DESC:	
	DIMENSION UNITS	SCALE		
▽ = 0	MM			<p>EC NO: 605052 DRWN: HKLIANG 2018/09/27 CHK'D: JDENG02 2018/10/10 APPR: JDENG02 2018/10/10</p> <p>INITIAL REVISION: DRWN: TYE 2016/05/06 APPR: SKRAJENDRANA 2016/08/22</p>
▽ = 0	GENERAL TOLERANCES (UNLESS SPECIFIED)		<p>MX123 66/73/80CKT HRNS CONN ASSY</p> <p>PRODUCT CUSTOMER DRAWING</p>	
▽ = 0	ANGULAR TOL ± °			
▽ = 0	4 PLACES ±			
▽ = 0	3 PLACES ±			
▽ = 0	2 PLACES ±			
▽ = 0	1 PLACE ±			<p>DOCUMENT NUMBER: SD-34566-001</p> <p>DOC TYPE: PSD</p> <p>DOC PART: 000</p> <p>REVISION: G63</p>
▽ = 0	0 PLACES ±			
⊠ = 0	DRAFT WHERE APPLICABLE MUST REMAIN WITHIN DIMENSIONS		THIRD ANGLE PROJECTION	<p>DRAWING SERIES: D-SIZE 34566</p> <p>MATERIAL NUMBER: SEE TABLE</p> <p>CUSTOMER: GENERAL MARKET</p> <p>SHEET NUMBER: 7 OF 8</p>
■ = 0				
▽ = 0				

ISO WIRE HRNS ASSY TABLE

TESTED	HRNS ASSY				HRNS CONN ASSY	DRESS COVER	GROMMET CAP	MX64 WIRE ASSY PER E-33468-001						2.8mm YESC SEALED FEMALE TERMINAL TIN					TY-RAP	RUBBER BAND		
	MATERIAL #	CIRCUIT ID	KEY OPTION	WIRE DRESS OPTION	MATERIAL #	MATERIAL #	MATERIAL #	MATERIAL #	RCPT PLATING	WIRE SIZE # mm²	WIRE TYPE	PIGTAIL OR LOOPED	"LMX" IN METERS 10%	QTY	MATERIAL #	WIRE SIZE # mm²	WIRE TYPE	PIGTAIL OR LOOPED	"LMX" IN METERS 10%	QTY	QTY	QTY
NO	2047789331	80	G	0	34566-0703	34565-0003	34571-0301	2047801003	Ag	0.35	ISO	PGTL	3	80	2047811003	2	ISO	PGTL	3	N/A	6	0
NO	2047789231	80	H	0	34566-0803	34565-0003	34571-0301	2047801003	Ag	0.35	ISO	PGTL	3	80	2047811003	2	ISO	PGTL	3	N/A	6	0
NO	2047789332	80	G	0	34566-0703	34565-0003	34571-0301	2047802003	Ag	0.50	ISO	PGTL	3	80	2047811003	2	ISO	PGTL	3	N/A	6	0
NO	2047789232	80	H	0	34566-0803	34565-0003	34571-0301	2047802003	Ag	0.50	ISO	PGTL	3	80	2047811003	2	ISO	PGTL	3	N/A	6	0
NO	2047789333	80	G	0	34566-0703	34565-0003	34571-0301	2047803003	Ag	0.75	ISO	PGTL	3	80	2047811003	2	ISO	PGTL	3	N/A	6	0
NO	2047789233	80	H	0	34566-0803	34565-0003	34571-0301	2047803003	Ag	0.75	ISO	PGTL	3	80	2047811003	2	ISO	PGTL	3	N/A	6	0
NO	2047799311	80	G	0	34566-0703	34565-0003	N/A	2047801101	Ag	0.35	ISO	LPD	1	80	2047811101	2	ISO	LPD	1	N/A	3	0
NO	2047799211	80	H	0	34566-0803	34565-0003	N/A	2047801101	Ag	0.35	ISO	LPD	1	80	2047811101	2	ISO	LPD	1	N/A	3	0
NO	2047799312	80	G	0	34566-0703	34565-0003	N/A	2047802101	Ag	0.50	ISO	LPD	1	80	2047811101	2	ISO	LPD	1	N/A	3	0
NO	2047799212	80	H	0	34566-0803	34565-0003	N/A	2047802101	Ag	0.50	ISO	LPD	1	80	2047811101	2	ISO	LPD	1	N/A	3	0
NO	2047799313	80	G	0	34566-0703	34565-0003	N/A	2047803101	Ag	0.75	ISO	LPD	1	80	2047811101	2	ISO	LPD	1	N/A	3	0
NO	2047799213	80	H	0	34566-0803	34565-0003	N/A	2047803101	Ag	0.75	ISO	LPD	1	80	2047811101	2	ISO	LPD	1	N/A	3	0
NO	2047789931	66	A	0	34822-0013	34565-0003	34822-5011	2047801003	Ag	0.35	ISO	PGTL	3	64	2047811003	2	ISO	PGTL	3	2	6	0
NO	2047789731	66	C	0	34822-0033	34565-0003	34822-5011	2047801003	Ag	0.35	ISO	PGTL	3	64	2047811003	2	ISO	PGTL	3	2	6	0
NO	2047789932	66	A	0	34822-0013	34565-0003	34822-5011	2047802003	Ag	0.50	ISO	PGTL	3	64	2047811003	2	ISO	PGTL	3	2	6	0
NO	2047789732	66	C	0	34822-0033	34565-0003	34822-5011	2047802003	Ag	0.50	ISO	PGTL	3	64	2047811003	2	ISO	PGTL	3	2	6	0
NO	2047789933	66	A	0	34822-0013	34565-0003	34822-5011	2047803003	Ag	0.75	ISO	PGTL	3	64	2047811003	2	ISO	PGTL	3	2	6	0
NO	2047789733	66	C	0	34822-0033	34565-0003	34822-5011	2047803003	Ag	0.75	ISO	PGTL	3	64	2047811003	2	ISO	PGTL	3	2	6	0
NO	2047799911	66	A	0	34822-0013	34565-0003	N/A	2047801101	Ag	0.35	ISO	LPD	1	64	2047811101	2	ISO	LPD	1	2	3	0
NO	2047799711	66	C	0	34822-0033	34565-0003	N/A	2047801101	Ag	0.35	ISO	LPD	1	64	2047811101	2	ISO	LPD	1	2	3	0
NO	2047799912	66	A	0	34822-0013	34565-0003	N/A	2047802101	Ag	0.50	ISO	LPD	1	64	2047811101	2	ISO	LPD	1	2	3	0
NO	2047799712	66	C	0	34822-0033	34565-0003	N/A	2047802101	Ag	0.50	ISO	LPD	1	64	2047811101	2	ISO	LPD	1	2	3	0
NO	2047799913	66	A	0	34822-0013	34565-0003	N/A	2047803101	Ag	0.75	ISO	LPD	1	64	2047811101	2	ISO	LPD	1	2	3	0
NO	2047799713	66	C	0	34822-0033	34565-0003	N/A	2047803101	Ag	0.75	ISO	LPD	1	64	2047811101	2	ISO	LPD	1	2	3	0

SYMBOLS	THIS DRAWING CONTAINS INFORMATION THAT IS PROPRIETARY TO MOLEX ELECTRONIC TECHNOLOGIES, LLC AND SHOULD NOT BE USED WITHOUT WRITTEN PERMISSION		
▽ = 0	DIMENSION UNITS	SCALE	CURRENT REV DESC:
▽ = 0	MM		
▽ = 0	GENERAL TOLERANCES (UNLESS SPECIFIED)		EC NO: 605052 DRWN: HKLIANG 2018/09/27 CHK'D: JDENG02 2018/10/10 APPR: JDENG02 2018/10/10 INITIAL REVISION: DRWN: TYE 2016/05/06 APPR: SKRAJENDRANA 2016/08/22
▽ = 0	ANGULAR TOL	± °	
▽ = 0	4 PLACES	±	
▽ = 0	3 PLACES	±	
▽ = 0	2 PLACES	±	
▽ = 0	1 PLACE	±	
▽ = 0	0 PLACES	±	
■ = 0	DRAFT WHERE APPLICABLE MUST REMAIN WITHIN DIMENSIONS		THIRD ANGLE PROJECTION
▽ = 0			DRAWING
			SERIES
			MATERIAL NUMBER
			CUSTOMER
			SHEET NUMBER

MX123
66/73/80CKT HRNS CONN ASSY

PRODUCT CUSTOMER DRAWING

DOCUMENT NUMBER	DOC TYPE	DOC PART	REVISION
SD-34566-001	PSD	000	G63

SEE TABLE	GENERAL MARKET	8 OF 8
-----------	----------------	--------