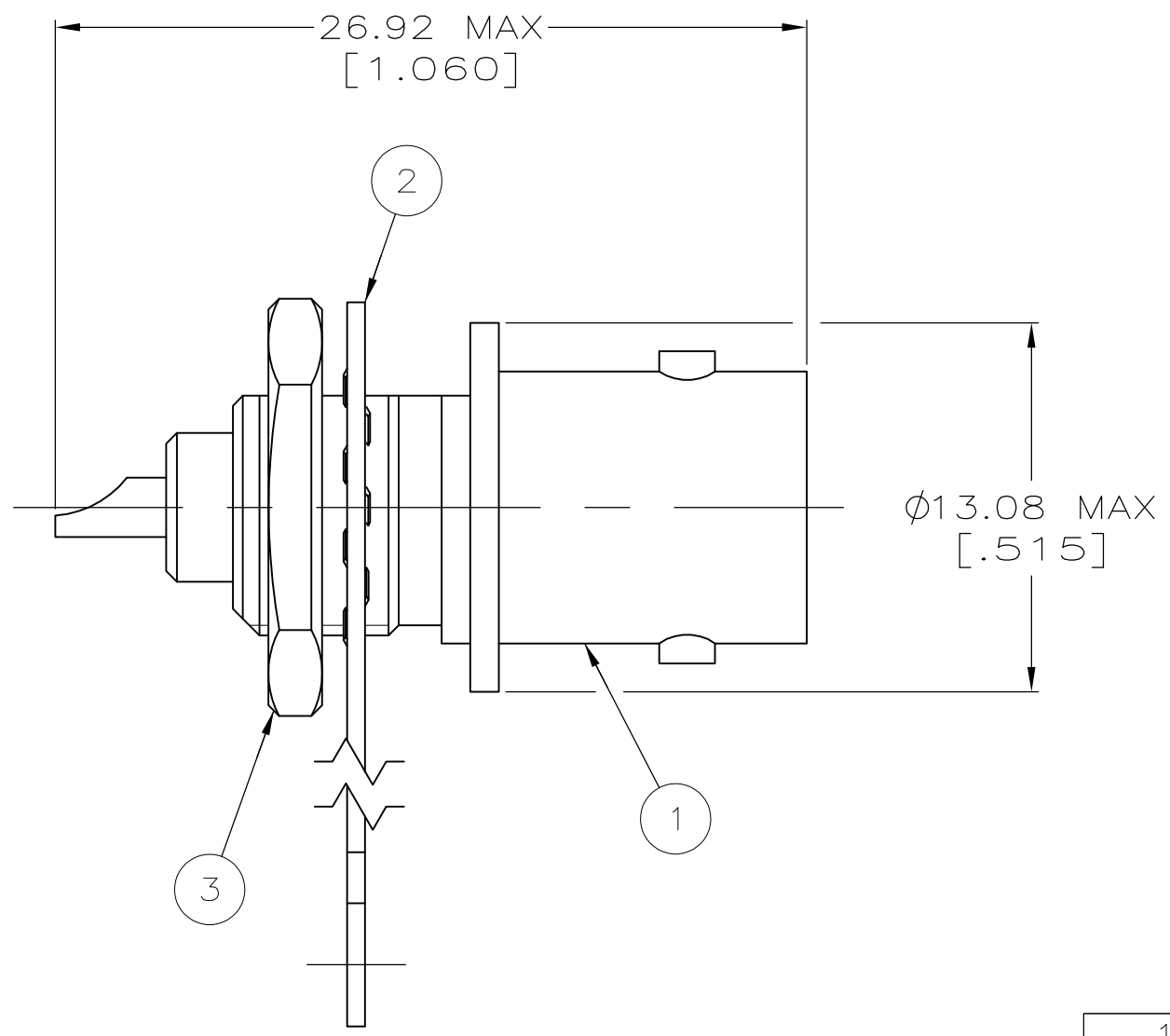
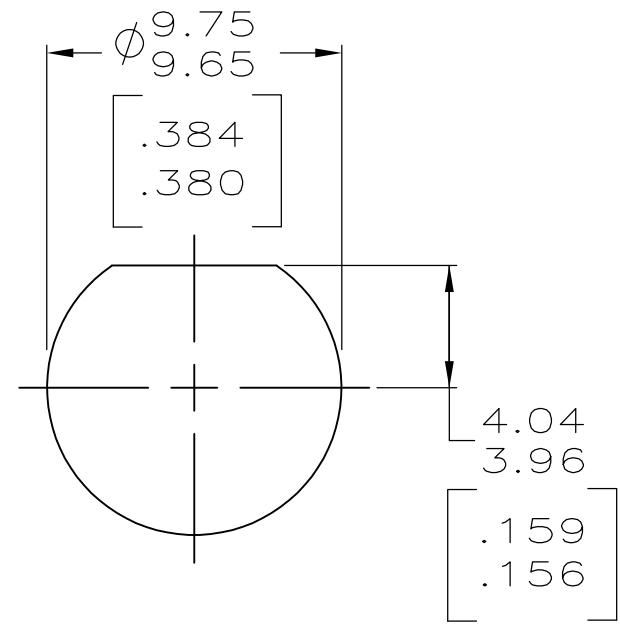


THIS DRAWING IS UNPUBLISHED. RELEASED FOR PUBLICATION
 © COPYRIGHT - By - ALL RIGHTS RESERVED.

LOC	DIST	REVISIONS			
P	LTR	DESCRIPTION	DATE	DWN	APVD
AJ	16	A1	REVISED PER ECO-11-005030	11MAR11	RK HMR



1. 3.175 [.125] MAX PANEL THICKNESS.



RECOMMENDED PANEL CUTOUT

1-330249-1	9-227260-0	227756-3	5227755-3
1-330249-1	9-227260-0	227756-2	5227755-2
1-330249-1	9-227260-0	227756-1	5227755-1
③ JAM NUT QTY=1	② LOCKWASHER, TERMINAL QTY=1	① JACK ASSY QTY=1	PART NUMBER

THIS DRAWING IS A CONTROLLED DOCUMENT.		DWN L. VARELA - DOCK5 21APR2005	STE TE Connectivity													
DIMENSIONS: mm [INCHES]		CHK J. HAVENER 21APR2005														
TOLERANCES UNLESS OTHERWISE SPECIFIED:		APVD J. LIPPERT 21APR2005	NAME SOLDER JACK, 50 OHM, SERIES BNC													
<table border="0"> <tr><td>0 PLC</td><td>± -</td></tr> <tr><td>1 PLC</td><td>± -</td></tr> <tr><td>2 PLC</td><td>± -</td></tr> <tr><td>3 PLC</td><td>± -</td></tr> <tr><td>4 PLC</td><td>± -</td></tr> <tr><td>ANGLES</td><td>± -</td></tr> </table>		0 PLC	± -	1 PLC	± -	2 PLC	± -	3 PLC	± -	4 PLC	± -	ANGLES	± -	PRODUCT SPEC 108-12079	RESTRICTED TO	
0 PLC	± -															
1 PLC	± -															
2 PLC	± -															
3 PLC	± -															
4 PLC	± -															
ANGLES	± -															
MATERIAL		APPLICATION SPEC	SIZE	CAGE CODE	DRAWING NO											
FINISH		WEIGHT	A3	00779	C-5227755											
CUSTOMER DRAWING			SCALE	SHEET	REV											
			4:1	1 OF 1	A1											

Mouser Electronics

Authorized Distributor

Click to View Pricing, Inventory, Delivery & Lifecycle Information:

[TE Connectivity:](#)

[5227755-2](#)