

Female insert - MSTBC-MT 1,5-2,5 BA - 3190658

Please be informed that the data shown in this PDF Document is generated from our Online Catalog. Please find the complete data in the user's documentation. Our General Terms of Use for Downloads are valid (<http://phoenixcontact.com/download>)



Module female contact, is inserted into the MSTBC connector shell after the conductor has been crimped, for conductors from 1.5 - 2.5 mm², ribbon contact

Supplied in tape form - please note the drawing.



Key Commercial Data

Packing unit	1 pc
Minimum order quantity	3500 pc
Weight per Piece (excluding packing)	0.72 g
Custom tariff number	85366990
Country of origin	Czech Republic

Technical data

General

Nominal current	12 A
Conductor cross section flexible min.	1.5 mm ²
Max. conductor cross section, flexible	2.5 mm ²

Connection data

Core diameter including insulation	2.11 mm ... 3.1 mm
Stripping length of individual wires	4 mm

Material data

Contact material	CuFe
Contact surface material	Tin-plated

Female insert - MSTBC-MT 1,5-2,5 BA - 3190658

Classifications

eCl@ss

eCl@ss 4.0	272607xx
eCl@ss 4.1	27260701
eCl@ss 5.0	27260701
eCl@ss 5.1	27260701
eCl@ss 6.0	27260704
eCl@ss 7.0	27440402
eCl@ss 8.0	27440309
eCl@ss 9.0	27440309

ETIM

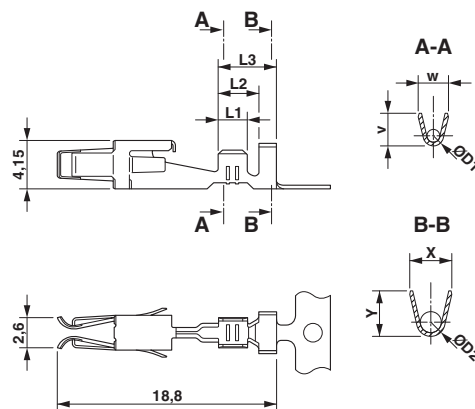
ETIM 3.0	EC001121
ETIM 4.0	EC001121
ETIM 5.0	EC002641

UNSPSC

UNSPSC 6.01	30211810
UNSPSC 7.0901	39121410
UNSPSC 11	39121409
UNSPSC 12.01	39121409
UNSPSC 13.2	39121409

Drawings

Dimensional drawing



Mouser Electronics

Authorized Distributor

Click to View Pricing, Inventory, Delivery & Lifecycle Information:

[Phoenix Contact:](#)

[3190658](#)