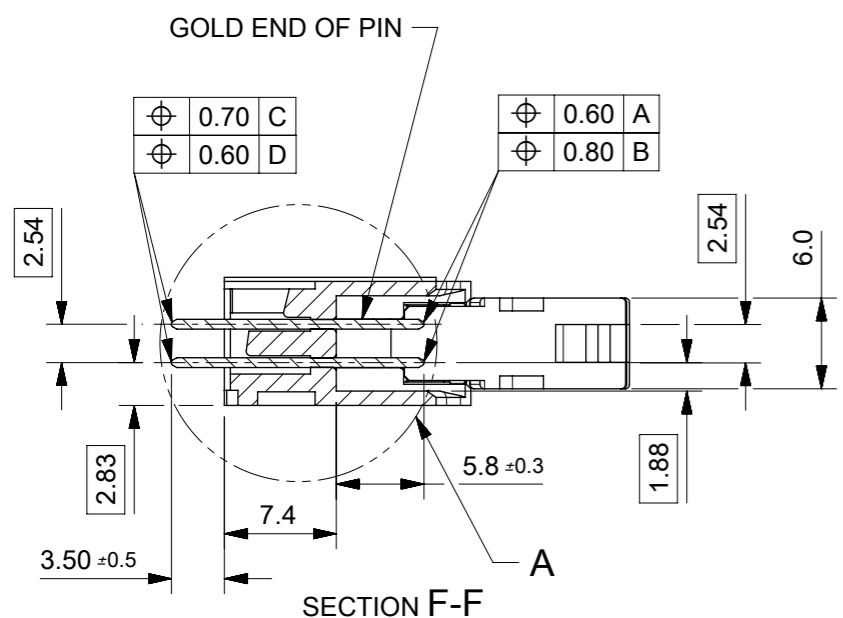


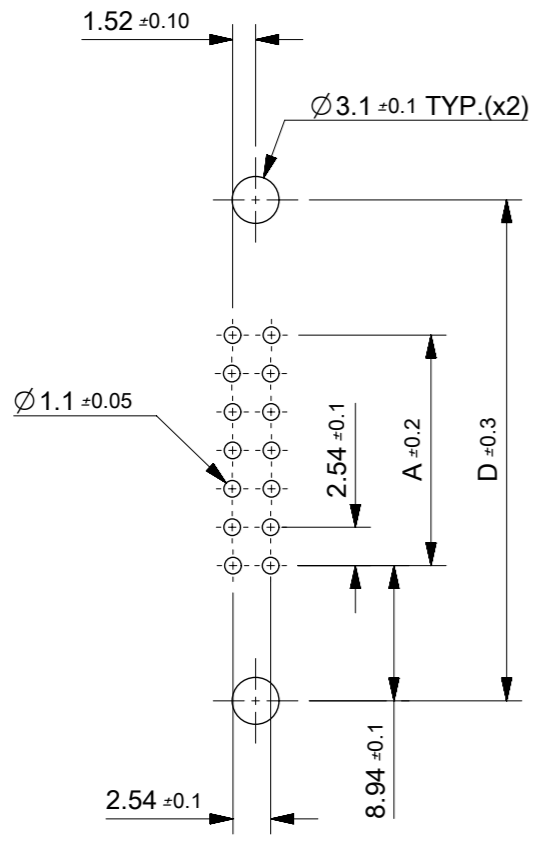
DETAIL A
SCALE 4:1
DIMENSIONS FOR SELECTIVE PLATING'S



- NOTES:**
1. FOR MATERIAL SPECIFICATION SEE NOTE 1. ON SHEET 2.
 2. FOR RECOMMENDED P.C.B. HOLE PATTERN, PART NO'S AND UNSTATED DIMENSIONS SEE SHHET 2.
 3. PRODUCT SPEC. NO.: PS-99020-0015

THIS DRAWING CONTAINS INFORMATION THAT IS PROPRIETARY TO MOLEX ELECTRONIC TECHNOLOGIES, LLC AND SHOULD NOT BE USED WITHOUT WRITTEN PERMISSION		CURRENT REV DESC: CAD MIGRATION		molex	
DIMENSION UNITS	SCALE				
mm	2:1			PRODUCT CUSTOMER DRAWING	
GENERAL TOLERANCES (UNLESS SPECIFIED)		EC NO: 605552		DOCUMENT NUMBER	
ANGULAR TOL	± 0.5°	DRWN: EEGBEDIRE	2018/12/12	SDA-90571	
4 PLACES	±	CHK'D: TTOURISH	2019/04/15	DOC TYPE	DOC PART
3 PLACES	±	APPR: DMAHER	2019/04/15	PSD	001
2 PLACES	± 0.15	INITIAL REVISION:		REVISION	
1 PLACE	± 0.2	DRWN: SM	03/08/1990	H1	
0 PLACES	±	APPR: EFOLAN	2010/08/25		
DRAFT WHERE APPLICABLE MUST REMAIN WITHIN DIMENSIONS		THIRD ANGLE PROJECTION	DRAWING	SERIES	MATERIAL NUMBER
			A3-SIZE	90571	CUSTOMER
				SEE SHEET 2	GENERAL MARKET
				SHEET NUMBER	
				1 OF 4	

78.74	86.34	90.52	96.62	100.74	90571-1641		64
60.96	68.56	72.74	78.84	82.96	-1501		50
48.26	55.86	60.04	66.14	70.26	-1401		40
40.64	48.24	52.42	58.52	62.64	-1341		34
35.56	43.16	47.34	53.44	57.56	-1301		30
30.48	38.08	42.26	48.36	52.48	-1261	95071-1263	26
22.86	30.46	34.64	40.74	44.86	-1201		20
17.78	25.38	29.56	35.66	39.78	-1161		16
15.24	22.84	27.02	33.12	37.24	-1141		14
10.16	17.76	21.94	28.04	32.16	90571-1101		10
A	B	C	D	E	ENG. NO. GS1 PLATING	ENG. NO. GS2 PLATING	NO. OF CKTS



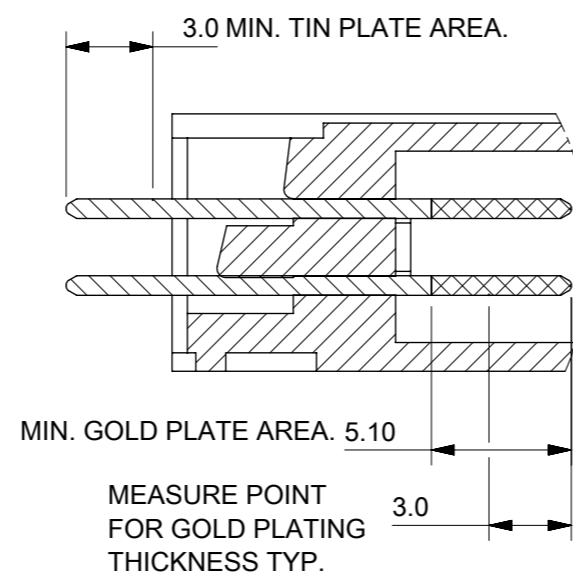
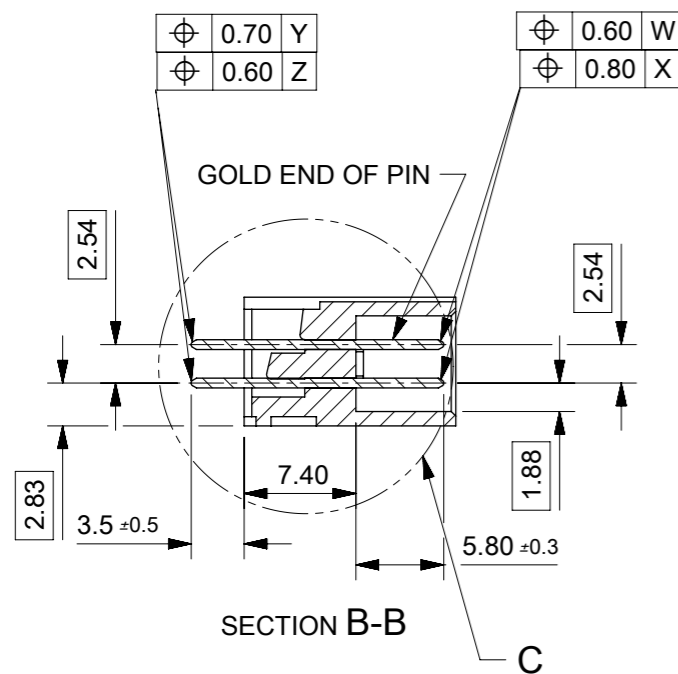
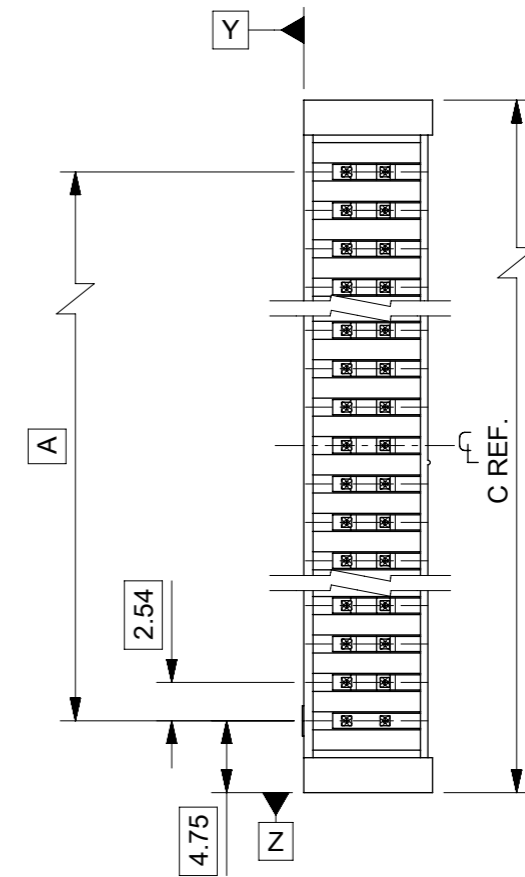
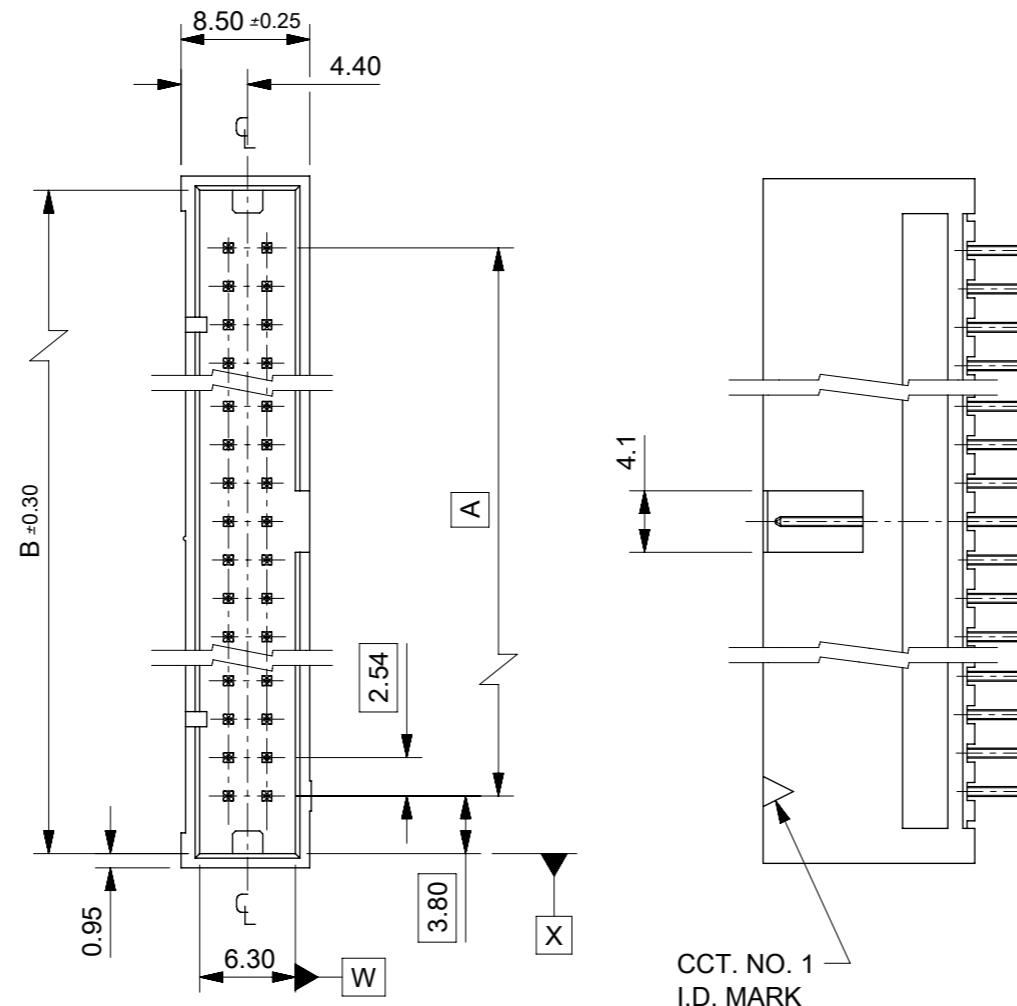
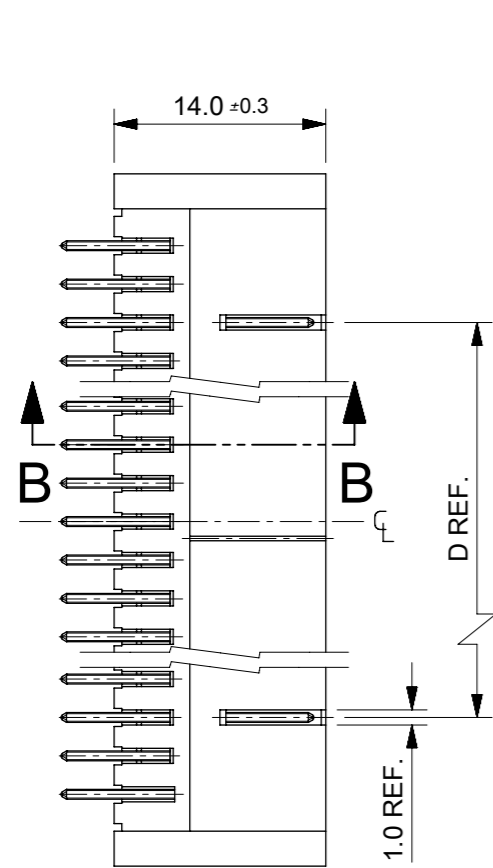
RECOMMENDED P.C.B. HOLE PATTERN

NOTES:

- MATERIAL: GLASS FILLED POLYESTER (UL 94 V0), COLOUR-BLACK.
PINS: BRASS SIZE 0.635.
LEVER: GLASS FILLED POLYESTER (UL 94 V0), COLOUR-BLACK.
- PLATING OPTIONS.
90571-1**1, 1µm MIN. NICKEL UNDERPLATE. CONTACT AREA GS1 PLATING 0.1µ MIN. GOLD. SOLDER AREA 3µm MIN.TIN.

90571-1**3, 1µm MIN. NICKEL UNDERPLATE. CONTACT AREA GS3 PLATING 0.25µ MIN. GOLD. SOLDER AREA 3µm MIN.TIN.
- RECOMMENDED PCB THICKNESS 1.6mm

THIS DRAWING CONTAINS INFORMATION THAT IS PROPRIETARY TO MOLEX ELECTRONIC TECHNOLOGIES, LLC AND SHOULD NOT BE USED WITHOUT WRITTEN PERMISSION											
DIMENSION UNITS mm		SCALE 2:1		CURRENT REV DESC: CAD MIGRATION				molex		QIK FLECS HEADER WITH DIN EJECT LEVERS FOR IMPROVED WIPE FEMALE	
GENERAL TOLERANCES (UNLESS SPECIFIED)		ANGULAR TOL ± 0.5°		EC NO: 605552							
4 PLACES ±		3 PLACES ±		DRWN: EEGBEDIRE 2018/12/12		CHK'D: TTOURISH 2019/04/15		APPR: DMAHER 2019/04/15		PRODUCT CUSTOMER DRAWING	
2 PLACES ± 0.15		1 PLACE ± 0.2		INITIAL REVISION:		DRWN: SM 03/08/1990		APPR: EFOLAN 08/25/2010		DOCUMENT NUMBER	
0 PLACES ±		DRAFT WHERE APPLICABLE MUST REMAIN WITHIN DIMENSIONS		THIRD ANGLE PROJECTION		DRAWING A3-SIZE		SERIES 90571		MATERIAL NUMBER SEE CHART	
								CUSTOMER GENERAL MARKET		SHEET NUMBER 2 OF 4	



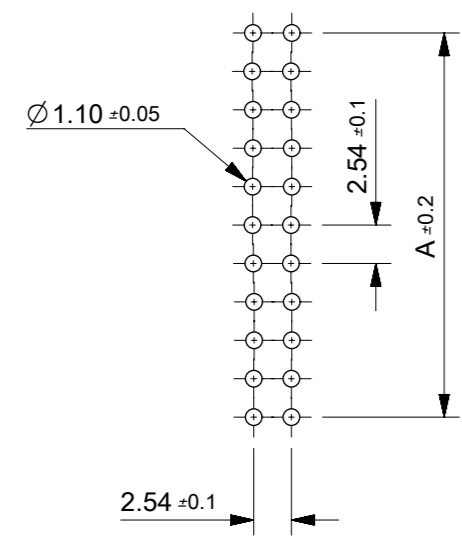
DETAIL C
SCALE 4:1
DIMENSIONS FOR SELECTIVE
PLATING'S

NOTES:

1. FOR MATERIAL SPECIFICATION SEE NOTE 1. ON SHEET 4.
2. FOR RECOMMENDED P.C.B. HOLE PATTERN, PART NO'S AND UNSTATED DIMENSIONS SEE SHEET 4.
3. PRODUCT SPEC. NO.: PS-99020-0015

THIS DRAWING CONTAINS INFORMATION THAT IS PROPRIETARY TO MOLEX ELECTRONIC TECHNOLOGIES, LLC AND SHOULD NOT BE USED WITHOUT WRITTEN PERMISSION												
DIMENSION UNITS	SCALE	CURRENT REV DESC: CAD MIGRATION										
mm	2:1											
GENERAL TOLERANCES (UNLESS SPECIFIED)												
ANGULAR TOL	± 0.5°	QUICK FLECTS HEADER FOR IMPROVED WIPE FEMALE										
4 PLACES	±	PRODUCT CUSTOMER DRAWING										
3 PLACES	±	EC NO: 605552	2018/12/12	DOCUMENT NUMBER						DOC TYPE	DOC PART	REVISION
2 PLACES	± 0.15	DRWN: EEGBEDIRE	2019/04/15	SDA-90571						PSD	001	H1
1 PLACE	± 0.2	CHK'D: TTOURISH	2019/04/15	MATERIAL NUMBER						CUSTOMER		
0 PLACES	±	APPR: DMAHER	2019/04/15	SEE SHEET 4						GENERAL MARKET		
DRAFT WHERE APPLICABLE MUST REMAIN WITHIN DIMENSIONS		INITIAL REVISION:	03/08/1990	SHEET NUMBER						3 OF 4		
THIRD ANGLE PROJECTION		DRAWING	SERIES	MATERIAL NUMBER						CUSTOMER		
		A3-SIZE	90571	SEE SHEET 4						GENERAL MARKET		

22.86	30.46	32.36	--	90571-2201	90571-2203	20
10.16	17.76	19.66	--	90571-2101		10
A	B	C	D	ENG. NO. GS1 PLATING	ENG. NO. GS2 PLATING	NO. OF CKTS



RECOMMENDED P.C.B. HOLE PATTERN.

NOTES:

- MATERIAL: GLASS FILLED POLYESTER (UL 94 V0), COLOUR-BLACK. PINS: BRASS SIZE 0.635.
- PLATING OPTIONS.
 90571-2**1, 1 μ m MIN. NICKEL UNDERPLATE. CONTACT AREA GS1 PLATING 0.1 μ m MIN. GOLD. SOLDER AREA 3 μ m MIN. TIN
 90571-2**3, 1 μ m MIN. NICKEL UNDERPLATE. CONTACT AREA GS3 PLATING 0.25 μ m MIN. GOLD. SOLDER AREA 3 μ m MIN. TIN.
- RECOMMENDED PCB THICKNESS 1.6mm

THIS DRAWING CONTAINS INFORMATION THAT IS PROPRIETARY TO MOLEX ELECTRONIC TECHNOLOGIES, LLC AND SHOULD NOT BE USED WITHOUT WRITTEN PERMISSION										
DIMENSION UNITS mm	SCALE 2:1	CURRENT REV DESC: CAD MIGRATION				molex				
GENERAL TOLERANCES (UNLESS SPECIFIED)		EC NO: 605552								QIK FLECS HEADER FOR IMPROVED WIPE FEMALE
ANGULAR TOL	$\pm 0.5^\circ$	DRWN: EEGBEDIRE		2018/12/12		PRODUCT CUSTOMER DRAWING				
4 PLACES	\pm	CHK'D: TTOURISH		2019/04/15		DOCUMENT NUMBER				
3 PLACES	\pm	APPR: DMAHER		2019/04/15		SDA-90571		DOC TYPE	DOC PART	REVISION
2 PLACES	± 0.15	INITIAL REVISION:				PSD 001 H1				
1 PLACE	± 0.2	DRWN: SM		03/08/1990		MATERIAL NUMBER				
0 PLACES	\pm	APPR: EFOLAN		08/25/2010		SEE CHART		CUSTOMER		SHEET NUMBER
DRAFT WHERE APPLICABLE MUST REMAIN WITHIN DIMENSIONS		THIRD ANGLE PROJECTION	DRAWING	SERIES	MATERIAL NUMBER	CUSTOMER		SHEET NUMBER		
			A3-SIZE	90571	SEE CHART	GENERAL MARKET		4 OF 4		