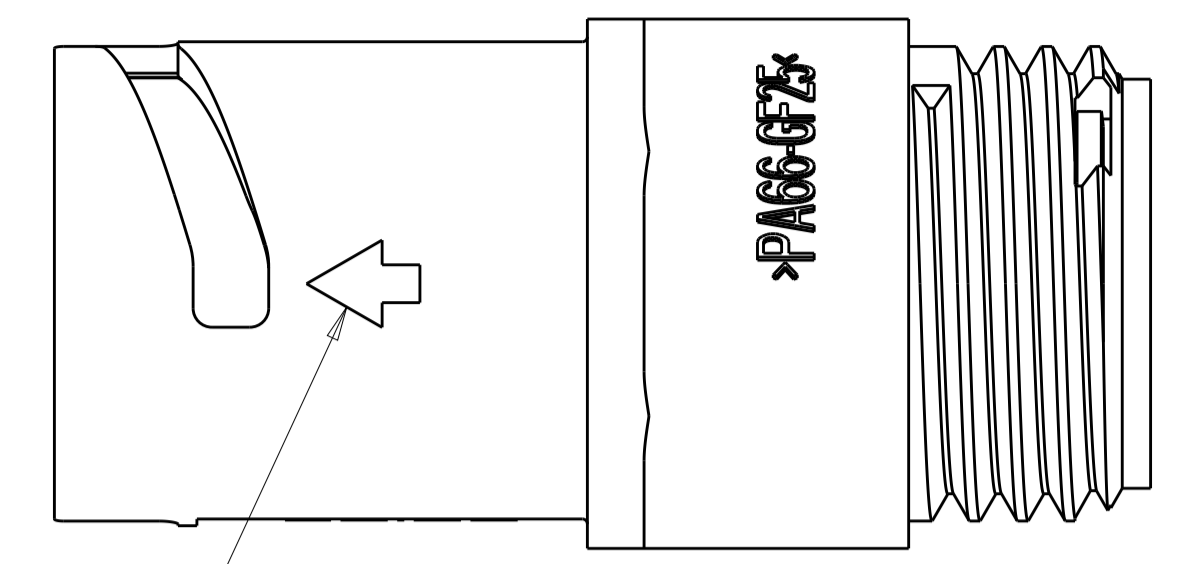
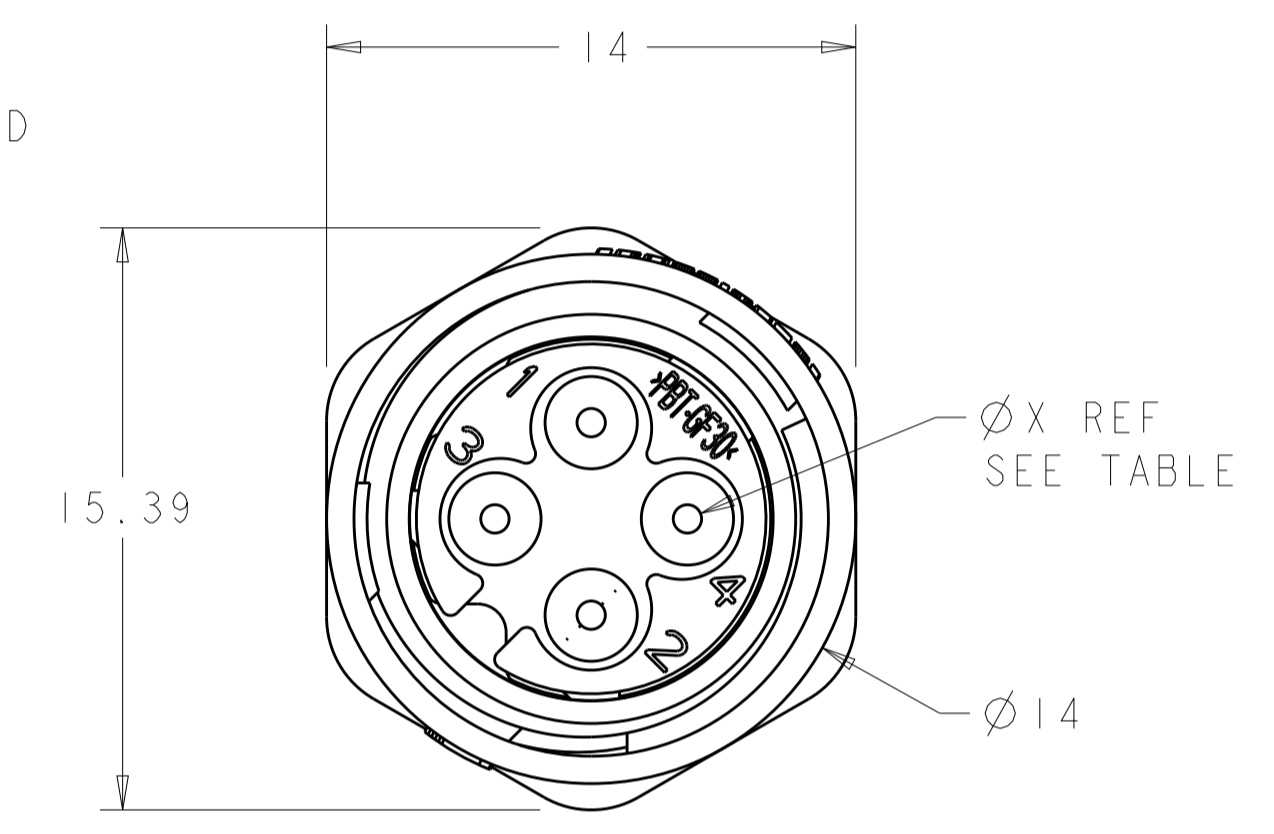
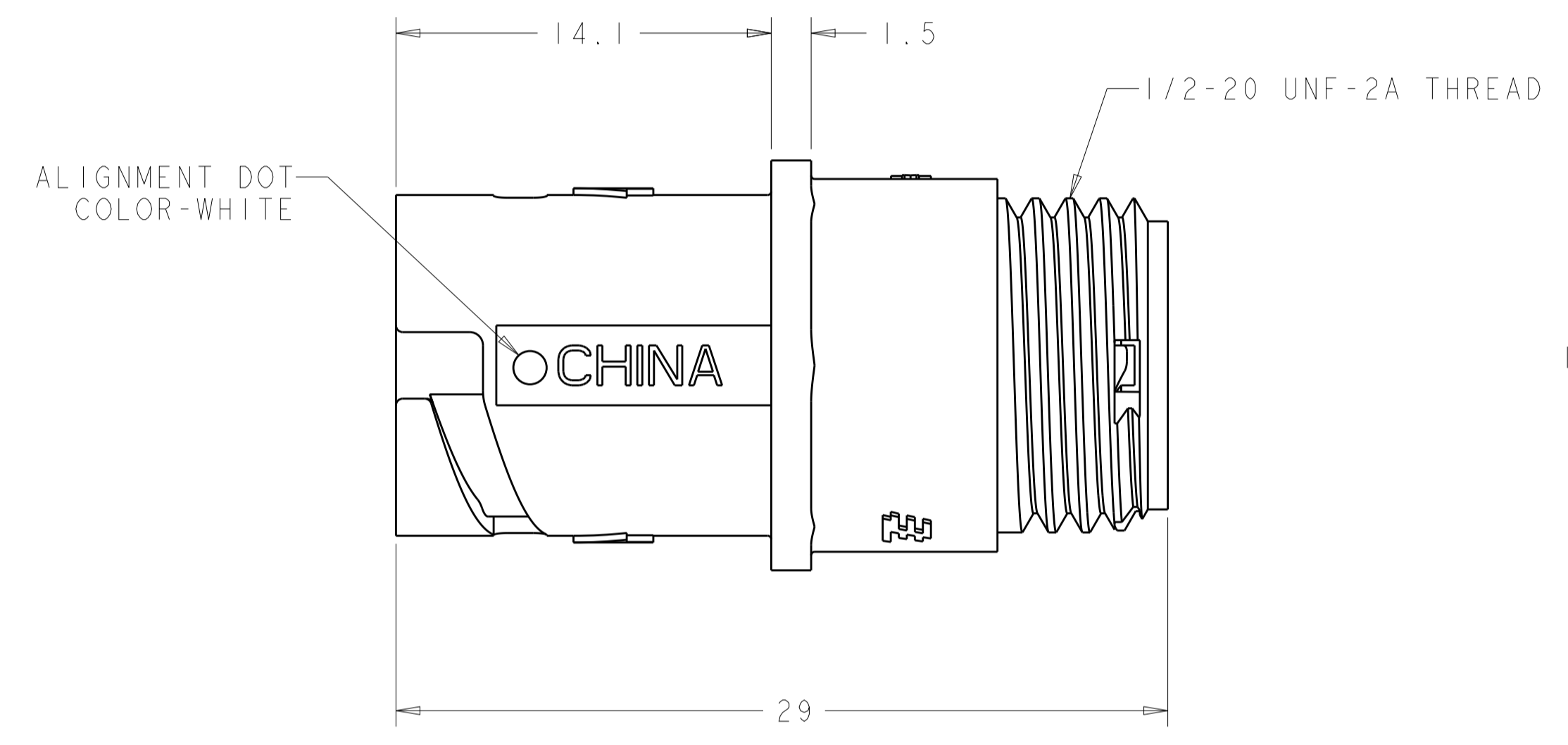
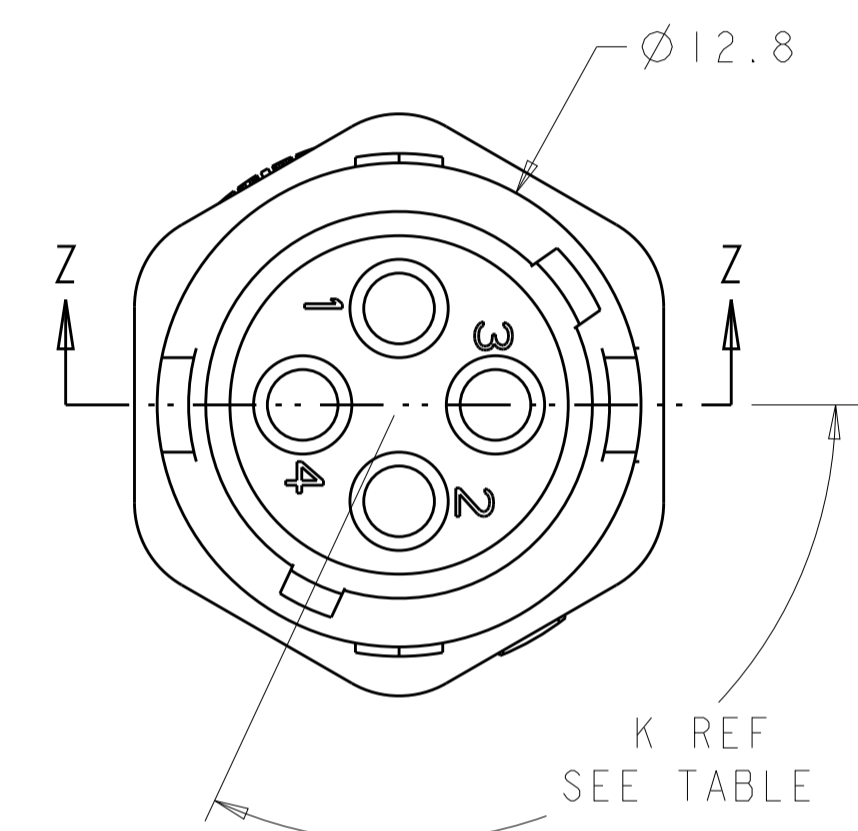


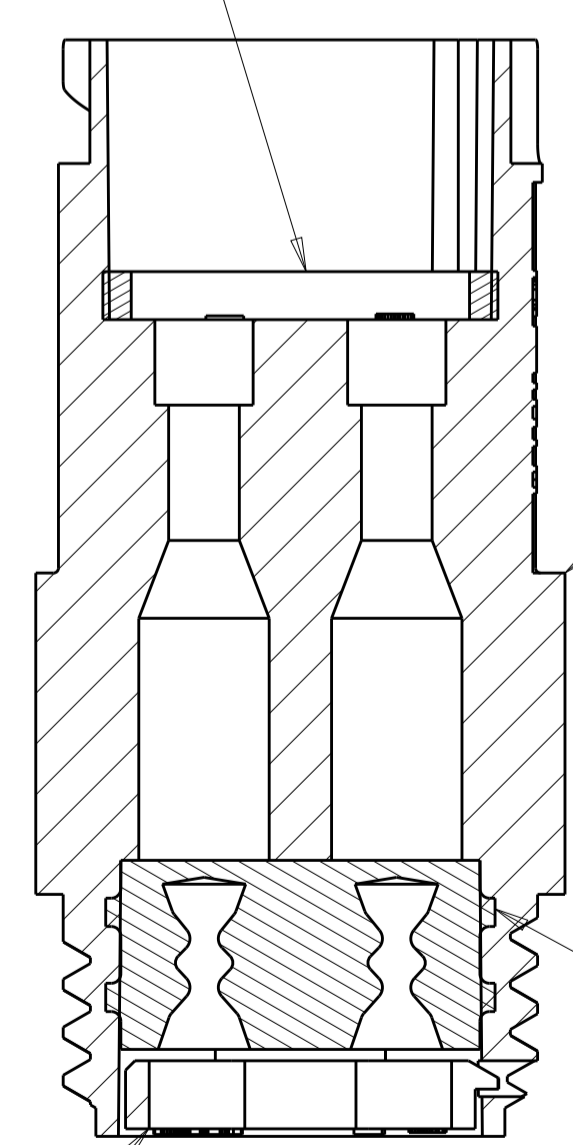
REVISIONS				
P.	LTN	DESCRIPTION	DATE	OWN APVD
B2		REVISED PER ECO-15-010004	11JUL2015	NK MZ
C		REVISED PER ECO-16-018352	23MAR2017	RS MZ



POSITIVE LOCK INDICATOR



SEAL, PERIPHERAL, 1 REQD  
 MATERIAL: ELASTOMER, COLOR-GRAY



HOUSING, 1 REQD  
 MATERIAL: THERMOPLASTIC, COLOR-BLACK

SEAL, WIRE ENTRY, 1 REQD  
 MATERIAL: ELASTOMER, COLOR-SEE TABLE

RETAINER, SEAL, 1 REQD  
 MATERIAL: THERMOPLASTIC, COLOR-BLACK

SECTION Z-Z

OBSELETE	YELLOW	Ø0.75	130°	1445389-04
	NATURAL	Ø1.5	115°	1445389-03
OBSELETE	NATURAL	Ø1.5	130°	1445389-02
	YELLOW	Ø0.75	115°	1445389-01
	SEAL WIRE ENTRY COLOR	ØX REF	K REF	PART NUMBER

THIS DRAWING IS A CONTROLLED DOCUMENT.

DIMENSIONS:	TOLERANCES UNLESS OTHERWISE SPECIFIED:	OWN: G. DOUTY 01MAR2001	
mm	0 PLC ±	CHK: H. WAKEEM 12JUN2003	
	1 PLC ±	APVD: H. WAKEEM 12JUN2003	
	2 PLC ±		
	3 PLC ±		NAME: ASSEMBLY, RECEPTACLE, SIZE 8, 4 POSITION, FREE HANGING, SEALED, MINI CPC
	4 PLC ±0.13		SIZE: CAGE CODE DRAWING NO. RESTRICTED TO
	ANGLES ±		A100779C=1445389
MATERIAL: SEE CALLOUT	FINISH: SEE CALLOUT	WEIGHT: -	CUSTOMER DRAWING SCALE: 5:1 SHEET 1 OF 1 REV C