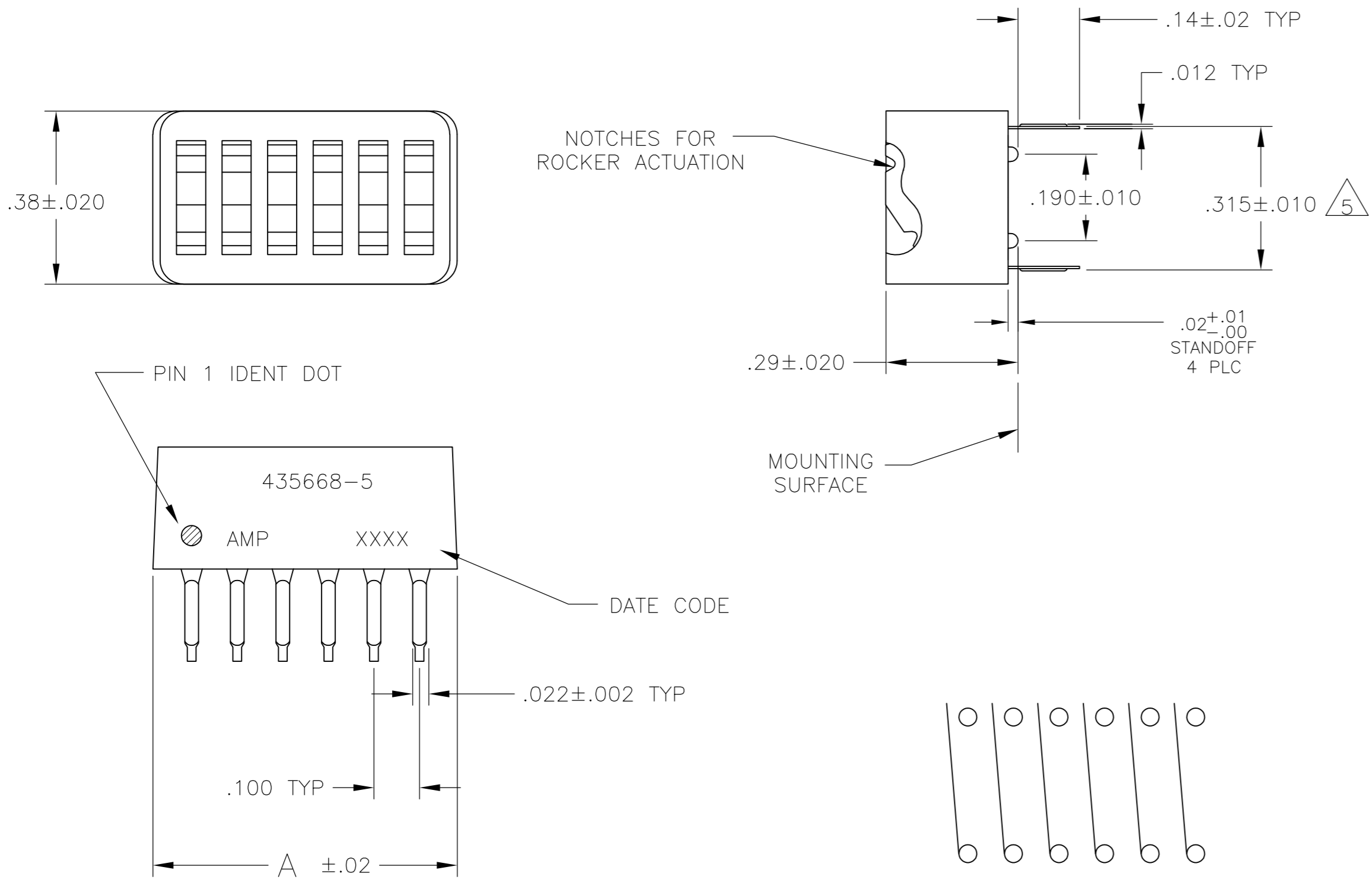


THIS DRAWING IS UNPUBLISHED. RELEASED FOR PUBLICATION  
 © COPYRIGHT - By - ALL RIGHTS RESERVED.

LOC		DIST		REVISIONS			
P	LTR	DESCRIPTION		DATE	DWN	APVD	
AD	00	A2	REVISED PER ECO-11-004917		11MAR11	RK	HMR



- FOR ADDITIONAL SPECIFICATIONS SEE AMP PRODUCT SPEC 108-7532.
- SWITCH SHOWN IN OPEN POSITION.
- ALL CHARACTERS AND ROCKERS ARE WHITE, HOUSING IS BLUE.
- STAMPING WILL VARY ON 2 AND 3 POSITION SIDES DUE TO SPACE RESTRICTIONS.
- $\triangle 5$  .315 DIMENSION APPLIES AT TERMINAL TIPS. TERMINALS ARE .300 +.010 AT MOUNTING SURFACE. - .000
- ALL MATERIALS AND FINISHES SHALL COMPLY WITH EU DIRECTIVE 2002 /95/EC OF 27JAN2003 (ROHS).
- $\triangle 7$  MATERIAL: HOUSING AND ROCKERS - POLYESTER  
CONTACT & SOLDER LEAD - COPPER ALLOY
- $\triangle 8$  FINISH: CONTACT - GOLD OVER NICKEL  
SOLDER LEAD - TIN OVER NICKEL
- $\triangle 9$  OBSOLETE PARTS: OBSOLETE CIS STREAMLINING PER D.RENAUD/D.SINISI

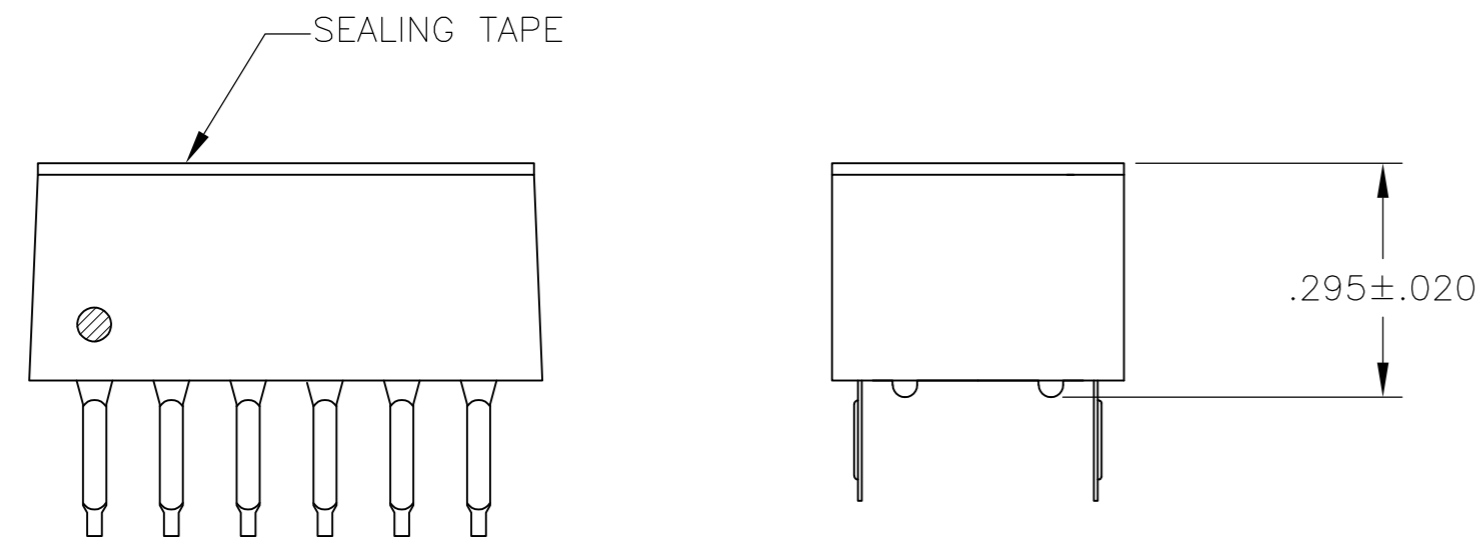
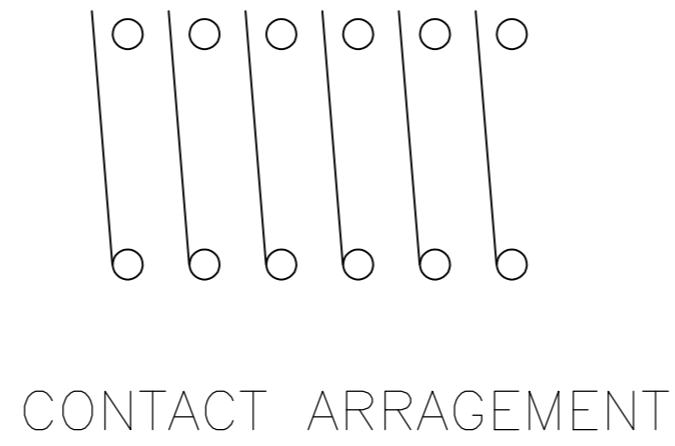
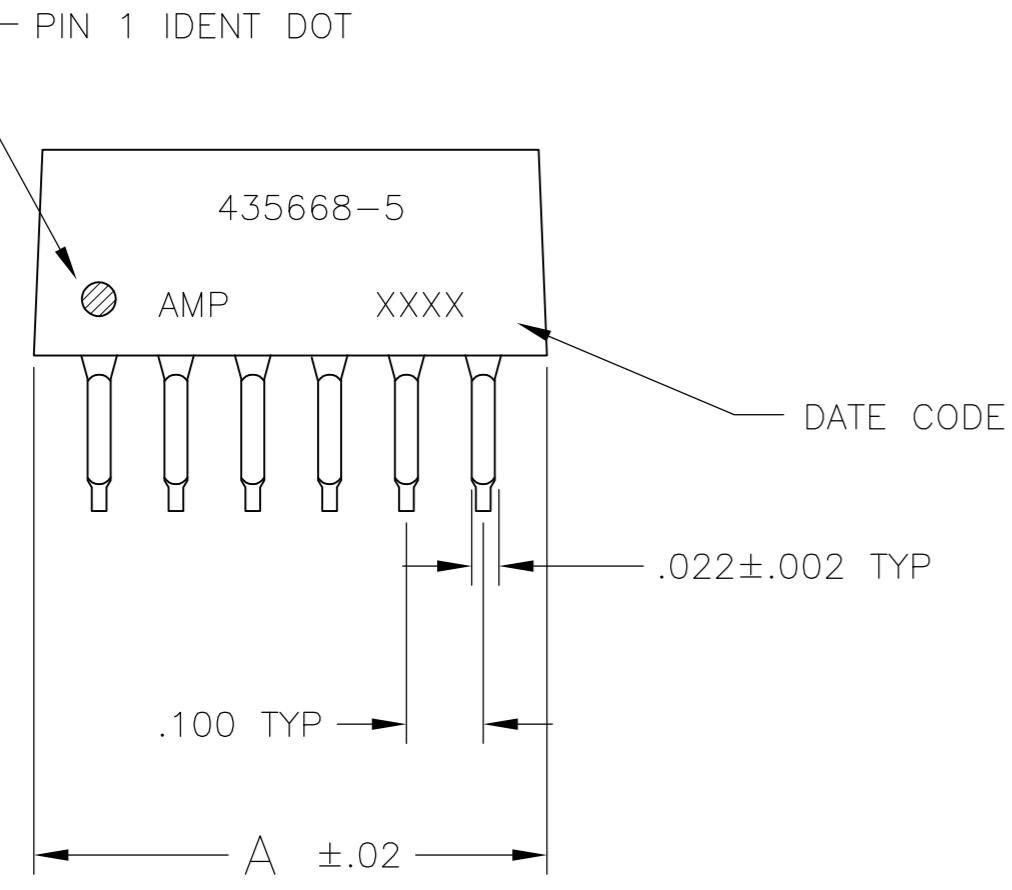


FIG 1

FIG	DESCRIPTION	QTY	UNIT	NO	OF POSN	PART NO
$\triangle 9$ OBSOLETE	FIG 7	—	.58	5	8-5435668-7	
			.58	5	3-5435668-5	
			.48	4	3-5435668-4	
			.38	3	3-5435668-3	
$\triangle 9$ OBSOLETE	FIG 1		1.28	12	3-5435668-2	
$\triangle 9$ OBSOLETE			1.18	11	3-5435668-1	
			1.08	10	3-5435668-0	
$\triangle 9$ OBSOLETE			.98	9	2-5435668-9	
			.88	8	2-5435668-8	
			.78	7	2-5435668-7	
			.28	2	2-5435668-6	
			.68	6	2-5435668-5	
			1.08	10	5435668-9	
			.88	8	5435668-7	
		.68	6	5435668-5		
		.58	5	5435668-4		
		.48	4	5435668-3		
$\triangle 9$ OBSOLETE		.28	2	5435668-1		

THIS DRAWING IS A CONTROLLED DOCUMENT.		DWN BSV	OBJAN05	<b>TE</b> TE Connectivity	
DIMENSIONS: INCHES		CHK -	APVD -		
TOLERANCES UNLESS OTHERWISE SPECIFIED:		PRODUCT SPEC -	APPLICATION SPEC -	SWITCH ASSY, DIP, TYPE C, 7100 SERIES, SPST, LOW PROFILE	
0 PLC ± -		WEIGHT -	SIZE A2	CAGE CODE 00779	DRAWING NO C=5435668
1 PLC ± -		CUSTOMER DRAWING		SCALE 4:1	SHEET 1 of 2
2 PLC ± -				REV A2	
3 PLC ± .005					
4 PLC ± -					
ANGLES ± -					
FINISH $\triangle 8$					

THIS DRAWING IS UNPUBLISHED.      RELEASED FOR PUBLICATION  
 © COPYRIGHT - By -      ALL RIGHTS RESERVED.

LOC	DIST	REVISIONS			
P	LTR	DESCRIPTION	DATE	DWN	APVD
AD	00	SEE SHEET 1	-	-	-

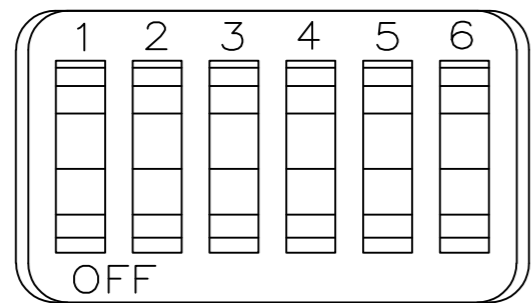


FIG 2

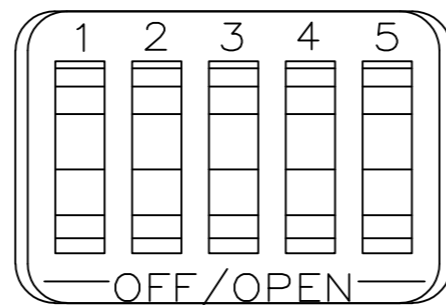


FIG 7

THIS DRAWING IS A CONTROLLED DOCUMENT.		DWN	08JAN05			TE Connectivity	
DIMENSIONS: INCHES		BSV	-			SWITCH ASSY, DIP, TYPE C, 7100 SERIES, SPST, LOW PROFILE	
TOLERANCES UNLESS OTHERWISE SPECIFIED:		CHK	-		NAME		
0 PLC ± -		APVD	-		SIZE		
1 PLC ± -		PRODUCT SPEC	-		CAGE CODE		
2 PLC ± -		APPLICATION SPEC	-		DRAWING NO		
3 PLC ± .005		WEIGHT	-		RESTRICTED TO		
4 PLC ± -		MATERIAL	-		A2 00779 C=5435668		
ANGLES ± -		FINISH	-		SCALE 4:1 SHEET 2 of 2 REV A2		
CUSTOMER DRAWING							

# Mouser Electronics

Authorized Distributor

Click to View Pricing, Inventory, Delivery & Lifecycle Information:

[TE Connectivity:](#)

[2-5435668-7](#)