

Valve connectors - SAC-3P-MS/A-1L-Z SCO - 1458525

Please be informed that the data shown in this PDF Document is generated from our Online Catalog. Please find the complete data in the user's documentation. Our General Terms of Use for Downloads are valid (<http://phoenixcontact.com/download>)



Valve connectors, 3-position, Plug straight M12 SPEEDCON, A-coded, on Valve connector A, with 1 LED, connected with Z diode



Key Commercial Data

| | |
|--------------------------------------|----------|
| Packing unit | 1 pc |
| Weight per Piece (excluding packing) | 40.0 g |
| Custom tariff number | 85366990 |
| Country of origin | Poland |

Technical data

Ambient conditions

| | |
|---------------------------------|-------------------------------|
| Ambient temperature (operation) | -25 °C ... 85 °C (valve plug) |
| Degree of protection | IP65 |
| | IP67 |

General

| | |
|------------------------------|-------------------------------|
| Rated current at 40°C | 4 A |
| Rated voltage | 24 V AC/DC |
| Number of positions | 3 |
| Insulation resistance | ≥ 100 MΩ |
| Coding | A - standard |
| Standards/regulations | M12 connector IEC 61076-2-101 |
| | Valve connector EN 175301-803 |
| Status display | Yellow LED |
| Protective circuit/component | Z diode |
| Overvoltage category | II |
| Degree of pollution | 3 |

Valve connectors - SAC-3P-MS/A-1L-Z SCO - 1458525

Technical data

General

| | |
|-----------------------------|--------------------------|
| Connection method | M12 connector |
| Insertion/withdrawal cycles | ≥ 100 |
| Torque | 0.6 Nm (Valve connector) |

Material

| | |
|--|------------------------------|
| Flammability rating according to UL 94 | HB |
| Contact material | CuSn |
| Contact surface material | Ni/Au |
| Contact carrier material | PA66 |
| Valve plug contact material | CuSn |
| Valve plug contact surface material | Sn |
| Valve plug contact insert material | PA 66 |
| Material housing valve plug | TPU |
| Material, knurls | Zinc die-cast, nickel-plated |
| Sealing material | TPU (Seal molded) |

Standards and Regulations

| | |
|--|-----------------|
| Standard designation | M12 connector |
| Standards/regulations | IEC 61076-2-101 |
| Standard designation | Valve connector |
| Standards/regulations | EN 175301-803 |
| Flammability rating according to UL 94 | HB |

Classifications

eCl@ss

| | |
|------------|----------|
| eCl@ss 4.0 | 27140815 |
| eCl@ss 4.1 | 27140815 |
| eCl@ss 5.0 | 27143423 |
| eCl@ss 5.1 | 27143423 |
| eCl@ss 6.0 | 27143423 |
| eCl@ss 7.0 | 27449001 |
| eCl@ss 8.0 | 27440104 |
| eCl@ss 9.0 | 27440105 |

ETIM

| | |
|----------|----------|
| ETIM 4.0 | EC002062 |
| ETIM 5.0 | EC002062 |

Valve connectors - SAC-3P-MS/A-1L-Z SCO - 1458525

Classifications

UNSPSC

| | |
|---------------|----------|
| UNSPSC 6.01 | 31251501 |
| UNSPSC 7.0901 | 31251501 |
| UNSPSC 11 | 31251501 |
| UNSPSC 12.01 | 31251501 |
| UNSPSC 13.2 | 31251501 |

Approvals

Approvals

Approvals

GL / EAC

Ex Approvals

Approvals submitted

Approval details

| |
|----|
| GL |
|----|

| |
|-----|
| EAC |
|-----|

Accessories

Accessories

Screwdriver tools

Screw insert - SF-BIT-PH 1-70 - 1212582



Screw bit, PH crosshead, E6.3-1/4" drive, size: PH 1 x 70 mm, hardened, suitable for holder according to DIN 3126-F6.3/ISO 1173

Sensor/actuator cable

Valve connectors - SAC-3P-MS/A-1L-Z SCO - 1458525

Accessories

Connecting cable - SAC-3P-FS SCO V/.../... - 1406702



Connecting cable, 3-position, Variable cable type, free cable end, on Socket straight M12 SPEEDCON, A-coded, Cable length: Free input (0.2 ... 40.0 m), For valve plug adapters

Sensor/Actuator cable - SAC-3P-M12MS/3,0-PUR/M12FS 345 - 1402560



Sensor/Actuator cable, 3-position, Plug straight M12, A-coded, on Socket straight M12, A-coded, Cable length: 3 m, For valve connector

Sensor/Actuator cable - SAC-3P-M12MS/5,0-PUR/M12FS 345 - 1402561



Sensor/Actuator cable, 3-position, Plug straight M12, A-coded, on Socket straight M12, A-coded, Cable length: 5 m, For valve connector

Sensor/Actuator cable - SAC-3P-M12MS/10,0-PUR/M12FS 345 - 1402562



Sensor/Actuator cable, 3-position, Plug straight M12, A-coded, on Socket straight M12, A-coded, Cable length: 10 m, For valve connector

Torque tool

Torque screwdriver - TSD-M 1,2NM - 1212224

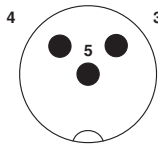


Torque screw driver, accuracy as per EN ISO 6789 standard, adjustable from 0.3 - 1.2 Nm

Valve connectors - SAC-3P-MS/A-1L-Z SCO - 1458525

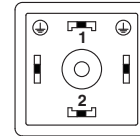
Drawings

Schematic diagram



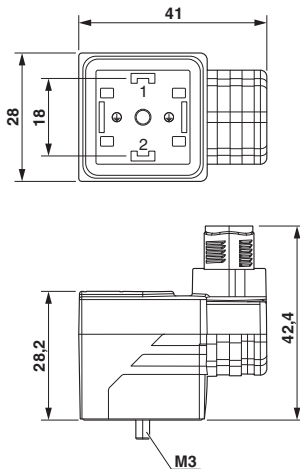
Pin assignment M12 plug, 3-pos., A-coded, view male side

Schematic diagram

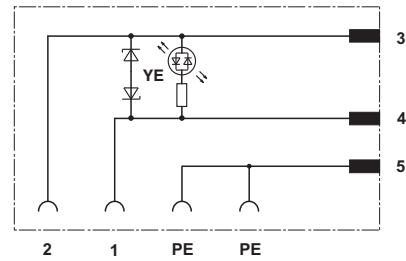


Valve connector pin assignment, type A

Dimensional drawing



Circuit diagram



Contact assignment of the valve plug adapter

Mouser Electronics

Authorized Distributor

Click to View Pricing, Inventory, Delivery & Lifecycle Information:

[Phoenix Contact:](#)

[1458525](#)