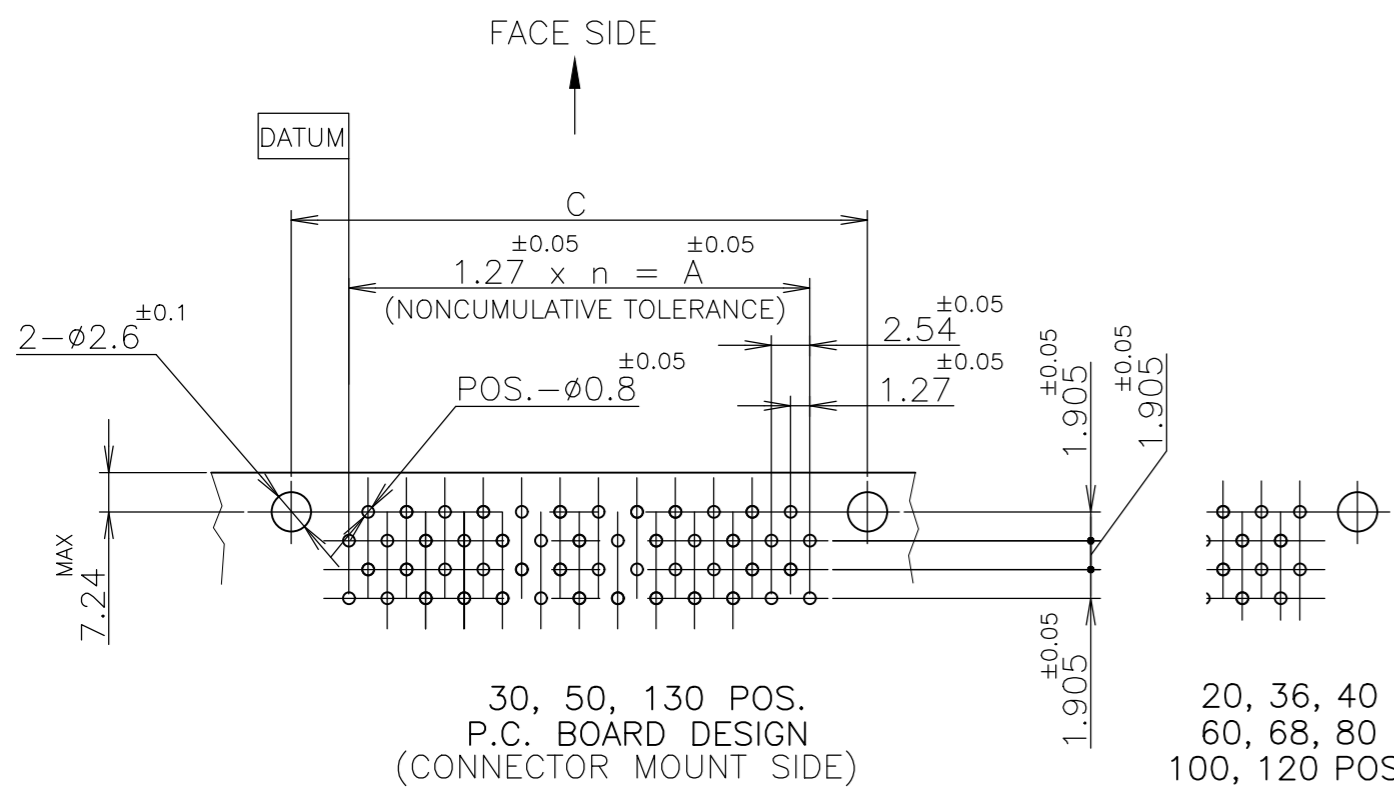
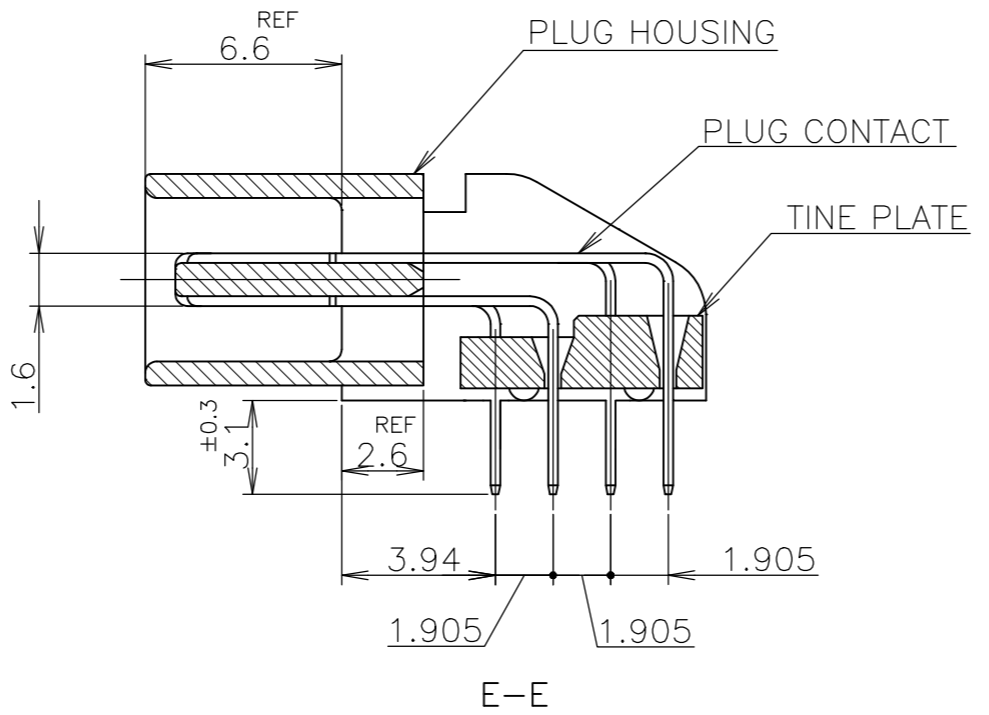
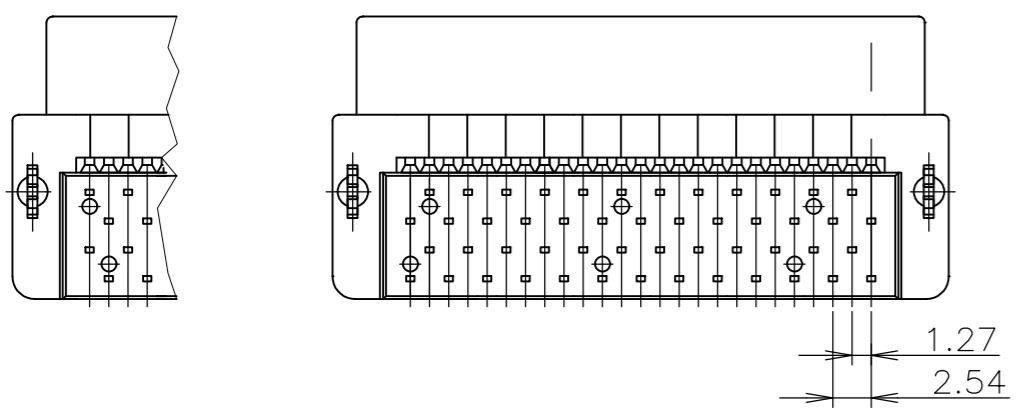
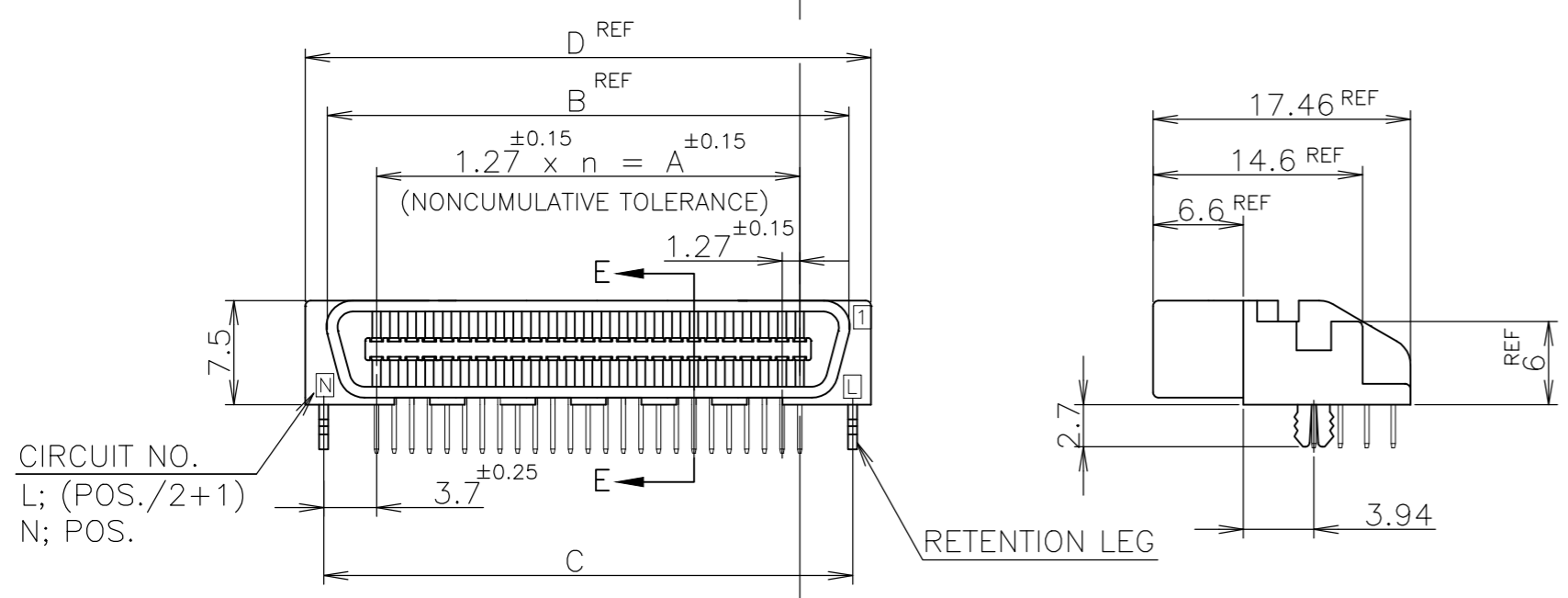
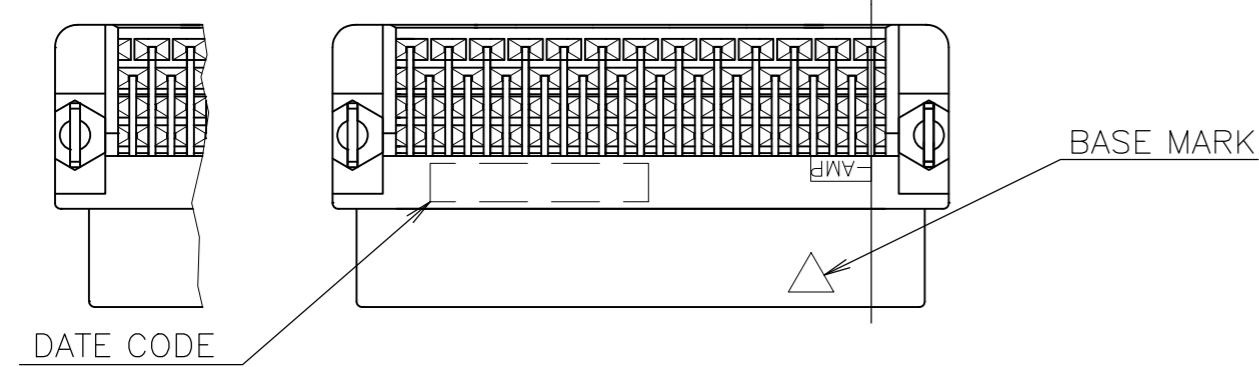


THIS DRAWING IS UNPUBLISHED. RELEASED FOR PUBLICATION AUG 2004  
 © COPYRIGHT 2004 By - ALL RIGHTS RESERVED.

REVISIONS					
P	LTR	DESCRIPTION	DATE	DWN	APVD
C		REVISED PER ECO-17-008763	22JAN2018	RG	SH

20, 40, 60, 68, 80  
100, 120 POS.  
30, 50, 130 POS.



- 1 NUMBER "n" IS COUNTED FROM DATUM (CIRCUIT NO.1 IS "AMP" MARK SIDE.)
- MATERIA: HOUSING, 66 NYLON (GF) UL 94V-0, BLACK.  
: CONTACT, PHOSPHOR BRONZE.  
: RETENTION LEG; BRASS.
- FINISH: CONTACT; Au AT CONTACT AREA (SEE TABLE), TIN AT TINE, OVER Ni.  
RETENTION LEG; TIN UNDER Ni.

OBSOLETE	6	-2		130	64	81.28	89.62	88.68	92.48		
OBSOLETE	6	-1		120	59	74.93	83.27	82.33	86.13		
	6	-0		100	49	62.23	70.57	69.63	73.43		
	5	-9		80	39	49.53	57.87	56.93	60.73		
	5	-8		68	33	41.91	50.25	49.31	53.11		
	5	-7		60	29	36.83	45.17	44.23	48.03		
	5	-6		50	24	30.48	38.82	37.88	41.68		
	5	-5		40	19	24.13	32.47	31.53	35.33		
	5	-4		36	17	21.59	29.93	28.99	32.79		
OBSOLETE	5	-3		30	14	17.78	26.12	25.18	28.98		
OBSOLETE	5	-1	0.00076	20	9	11.43	19.77	18.83	22.63		
OBSOLETE	4	-2		130	64	81.28	89.62	88.68	92.48		
	4	-1		120	59	74.93	83.27	82.33	86.13		
	4	-0		100	49	62.23	70.57	69.63	73.43		
	3	-9		80	39	49.53	57.87	56.93	60.73		
	3	-8		68	33	41.91	50.25	49.31	53.11		
	3	-7		60	29	36.83	45.17	44.23	48.03		
	3	-6		50	24	30.48	38.82	37.88	41.68		
	3	-5		40	19	24.13	32.47	31.53	35.33		
OBSOLETE	3	-4		36	17	21.59	29.93	28.99	32.79		
	3	-3		30	14	17.78	26.12	25.18	28.98		
	3	-1	0.0005	20	9	11.43	19.77	18.83	22.63		
OBSOLETE	1	-2		130	64	81.28	89.62	88.68	92.48		
	1	-1		120	59	74.93	83.27	82.33	86.13		
	1	-0		100	49	62.23	70.57	69.63	73.43		
OBSOLETE		-9		80	39	49.53	57.87	56.93	60.73		
		-8		68	33	41.91	50.25	49.31	53.11		
		-7		60	29	36.83	45.17	44.23	48.03		
OBSOLETE		-6		50	24	30.48	38.82	37.88	41.68		
OBSOLETE		-5		40	19	24.13	32.47	31.53	35.33		
		-4		36	17	21.59	29.93	28.99	32.79		
		-3		30	14	17.78	26.12	25.18	28.98		
				20	9	11.43	19.77	18.83	22.63		
				5175472-1	0.0002						
				PART NO.	Au PLATE	POS.	n	A	B	C	D

LEAD FREE

GENERAL TOLERANCE  
 10 ≥ ±0.2  
 30 > 10: ±0.25  
 100 ≥ > 30: ±0.3  
 ANGLES: ±3°

THIS DRAWING IS A CONTROLLED DOCUMENT.

DWN	18AUG2004	Julyee Zhu
CHK	18AUG2004	Steven Yao
APVD	18AUG2004	Ikuo Enomoto
PRODUCT SPEC		108-60038
APPLICATION SPEC		

NAME: AMP CHAMP .050 CONNECTOR (B-T-B) PLUG CONNECTOR (HORIZONTAL WITH RETENTION LEG)

SIZE: A2 CAGE CODE: 00779 DRAWING NO: C=5175472 RESTRICTED TO

WEIGHT: 0.000000 SCALE: NTS SHEET: 1 OF 1 REV: C

CUSTOMER DRAWING

# Mouser Electronics

Authorized Distributor

Click to View Pricing, Inventory, Delivery & Lifecycle Information:

[TE Connectivity:](#)

[3-5175472-3](#)