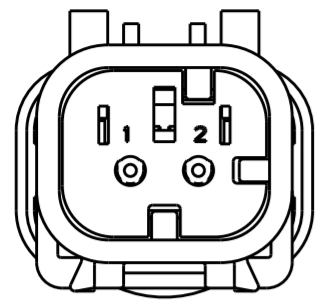
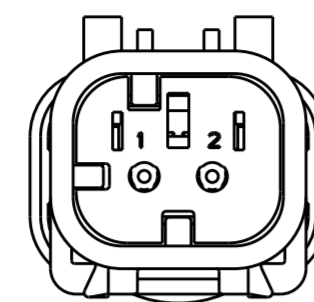


THIS DRAWING IS UNPUBLISHED. RELEASED FOR PUBLICATION  
 © COPYRIGHT 20 BY - ALL RIGHTS RESERVED.

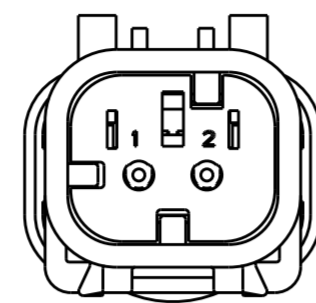
REVISIONS				
P	LTR	DESCRIPTION	DATE	APVD
D		REVISED PER ECO-13-019067	05DEC2013	DR RB



776534-2  
SCALE 2:1  
KEY B



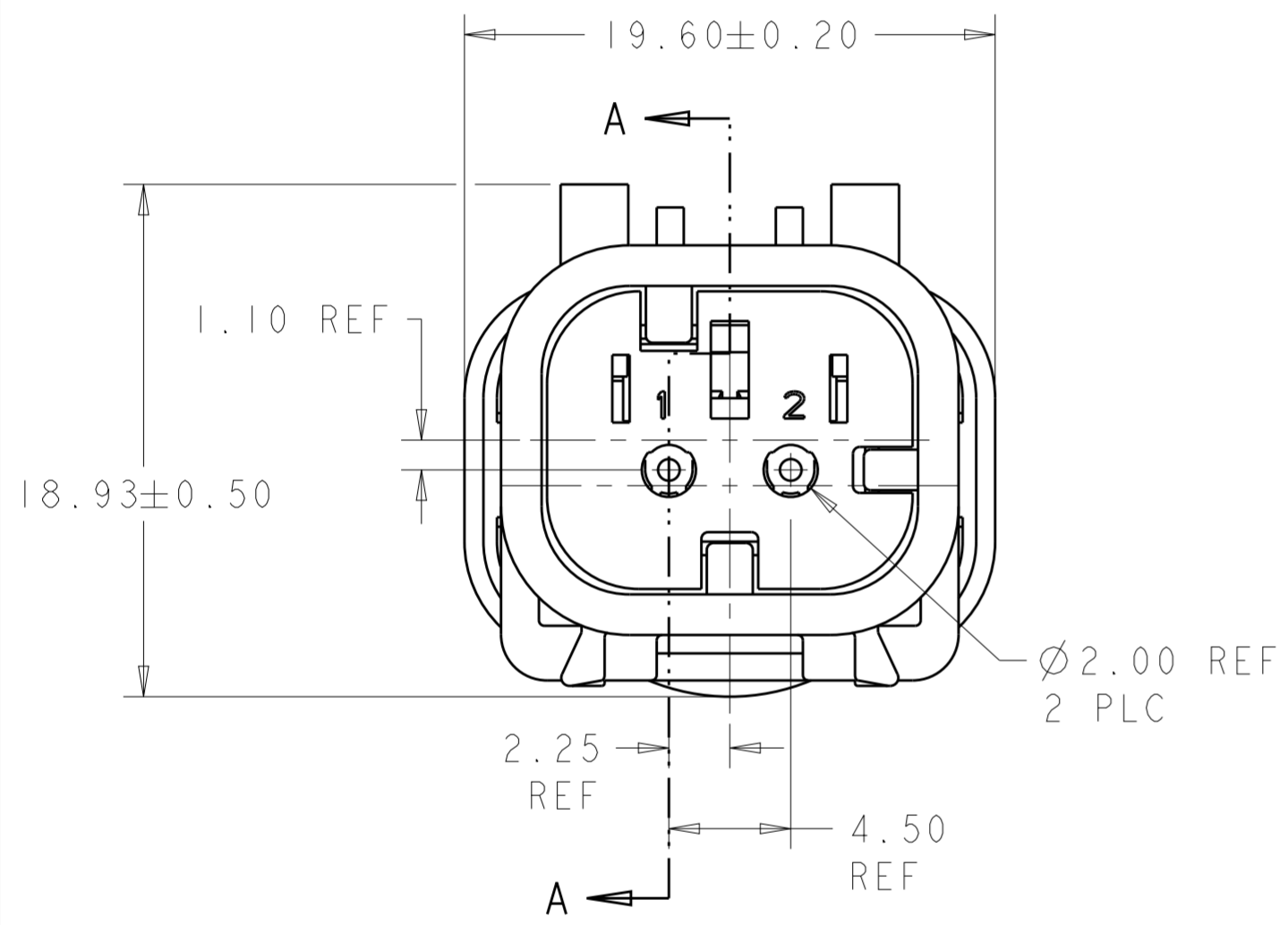
776534-3  
SCALE 2:1  
KEY C



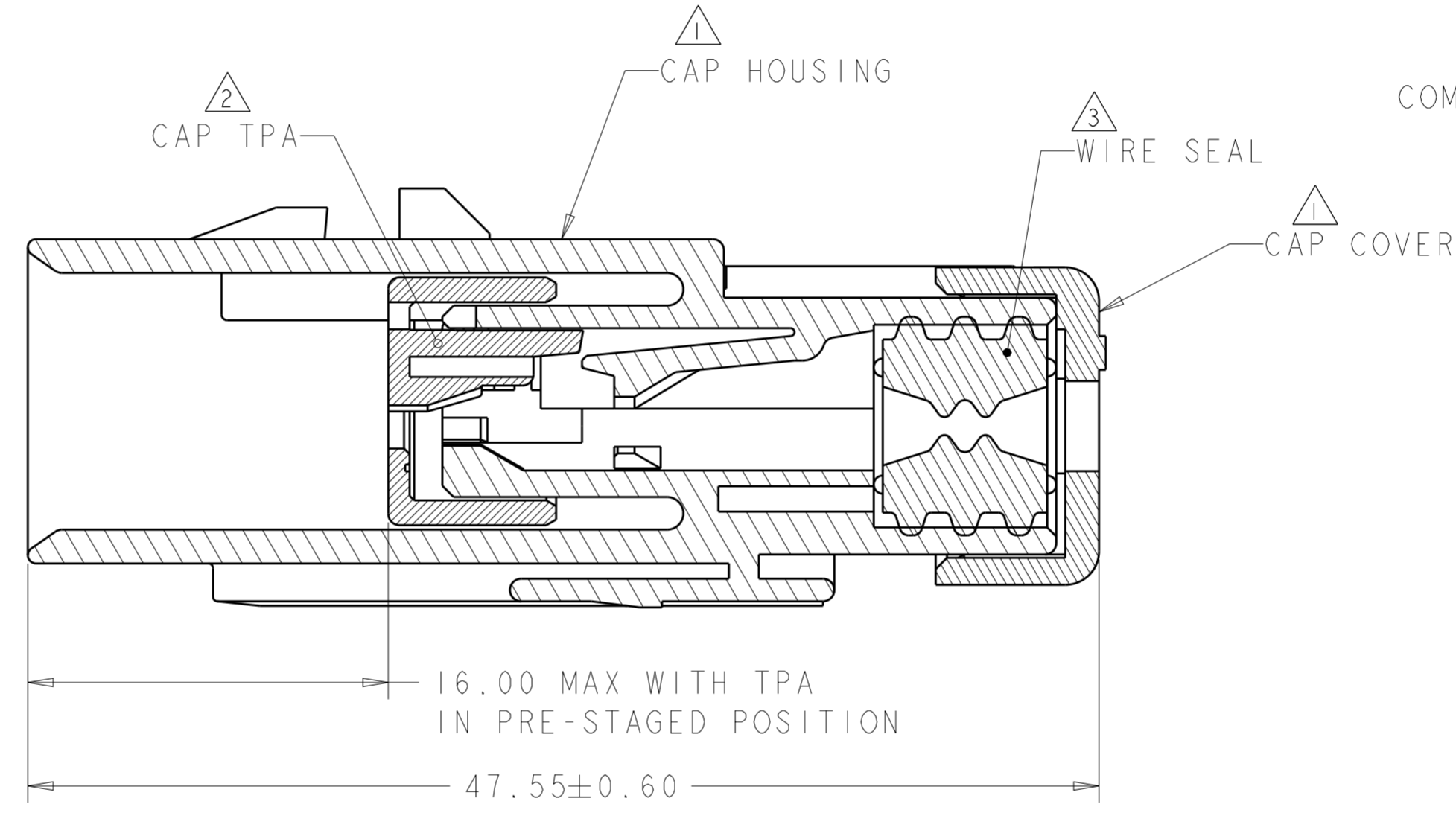
776534-4  
SCALE 2:1  
KEY D

- 1 MATERIAL: 15% GLASS FILLED THERMOPLASTIC  
COLOR: BLACK
- 2 MATERIAL: 15% GLASS FILLED THERMOPLASTIC  
COLOR: (SEE TABLE)
- 3 MATERIAL: SILICONE  
COLOR: LIGHT GRAY

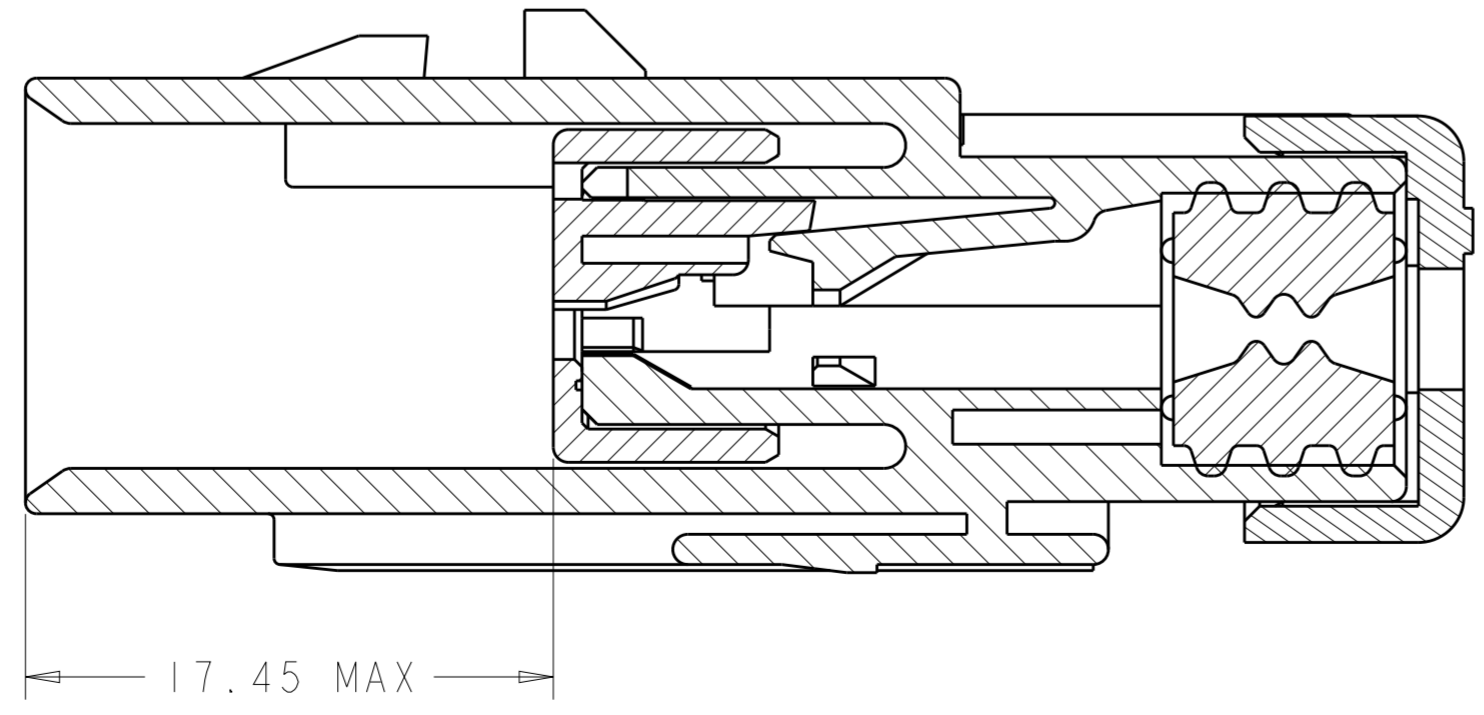
4. RECOMMENDED WIRE DIAMETER RANGE IS 1.30 TO 2.54mm



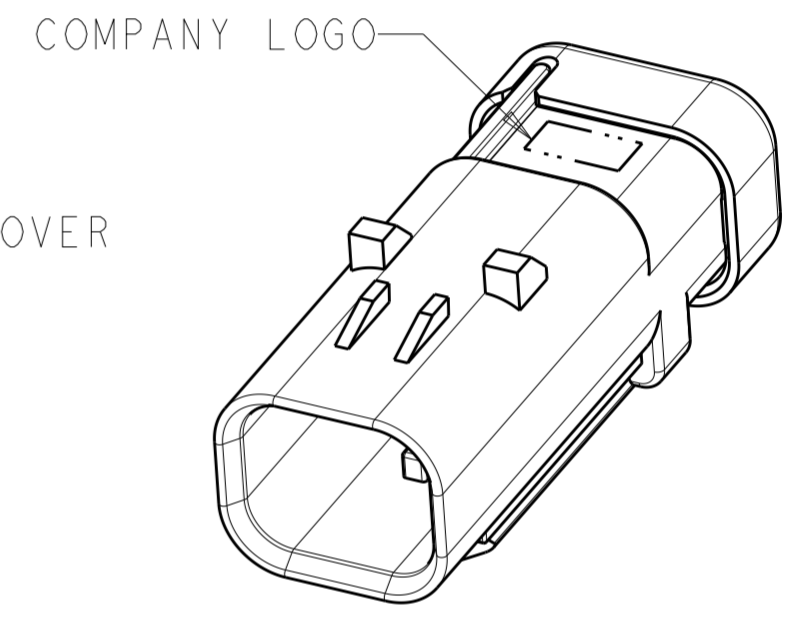
776534-1 SHOWN  
KEY A



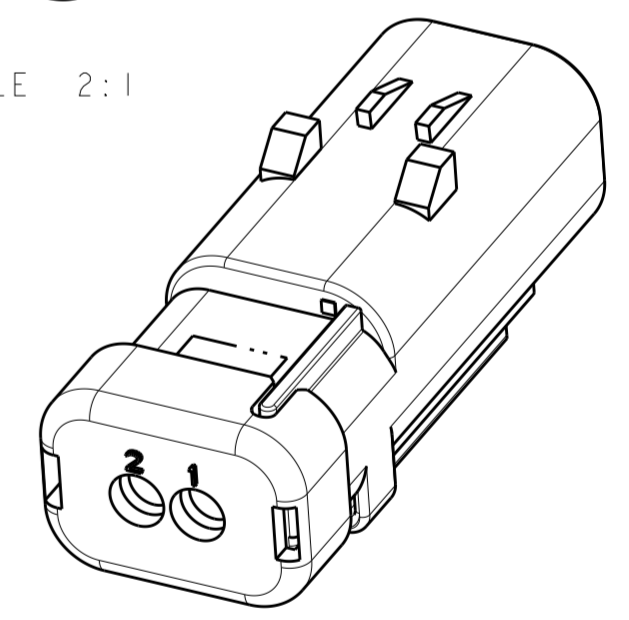
SECTION A-A



SECTION A-A  
WITH TPA IN CLOSED POSITION



SCALE 2:1



SCALE 2:1

D	GREEN	776534-4
C	YELLOW	776534-3
B	GRAY	776534-2
A	RED	776534-1
KEY	TPA COLOR	PART NUMBER

THIS DRAWING IS A CONTROLLED DOCUMENT.		DWN Y. PETERSON	22FEB00	<b>STE</b> TE Connectivity
DIMENSIONS: mm		CHK R. GREINER	11DEC01	
TOLERANCES UNLESS OTHERWISE SPECIFIED:		APVD M. TRULLI	11DEC01	NAME CAP ASSEMBLY, 2 POSITION, SINGLE ROW, REDUCED DIA WIRE SEAL, AMPSEAL 16
0 PLC ±		PRODUCT SPEC	108-2184	
1 PLC ±		APPLICATION SPEC	114-13065	SIZE CAGE CODE DRAWING NO
2 PLC ±		WEIGHT	9	A200779 C-776534
3 PLC ±		Customer Drawing	SCALE 4:1	SHEET OF REV D
4 PLC ±				
ANGLES ±				
FINISH				

# Mouser Electronics

Authorized Distributor

Click to View Pricing, Inventory, Delivery & Lifecycle Information:

[TE Connectivity:](#)

[776534-4](#)