

4

3

2

1

THIS DRAWING IS UNPUBLISHED.

RELEASED FOR PUBLICATION

© COPYRIGHT

ALL RIGHTS RESERVED.

LOC DIST


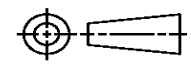
REVISIONS

P	LTR	DESCRIPTION	DATE	DWN	APVD

REPLACED BY OCEAN STYLE APPLICATOR PART NUMBER

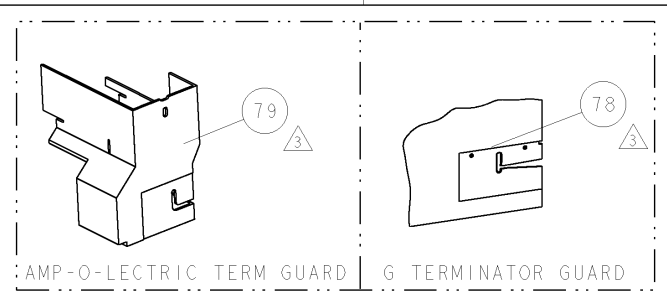
FOR REPLACEMENT PARTS FOR APPLICATOR REFER TO ADDITIONAL PAGE(S). SPARE PARTS KIT (IF LISTED) WILL REMAIN AVAILABLE.

THE REPLACEMENT OCEAN STYLE APPLICATOR HAS THE SAME TERMINATOR/PRESS INTERFACE AS APPLICATOR

THIS DRAWING IS A CONTROLLED DOCUMENT.		DWN	 TE Connectivity		
DIMENSIONS:		CHK			
TOLERANCES UNLESS OTHERWISE SPECIFIED:		APVD	NAME		
 <ul style="list-style-type: none"> 0 PLC ± 1 PLC ± 2 PLC ± 3 PLC ± 4 PLC ± ANGLES ± 		PRODUCT SPEC	RESTRICTED TO		
		APPLICATION SPEC	SIZE	CAGE CODE	DRAWING NO
MATERIAL	FINISH	WEIGHT	A3	C-	
		SCALE	SHEET	OF	REV

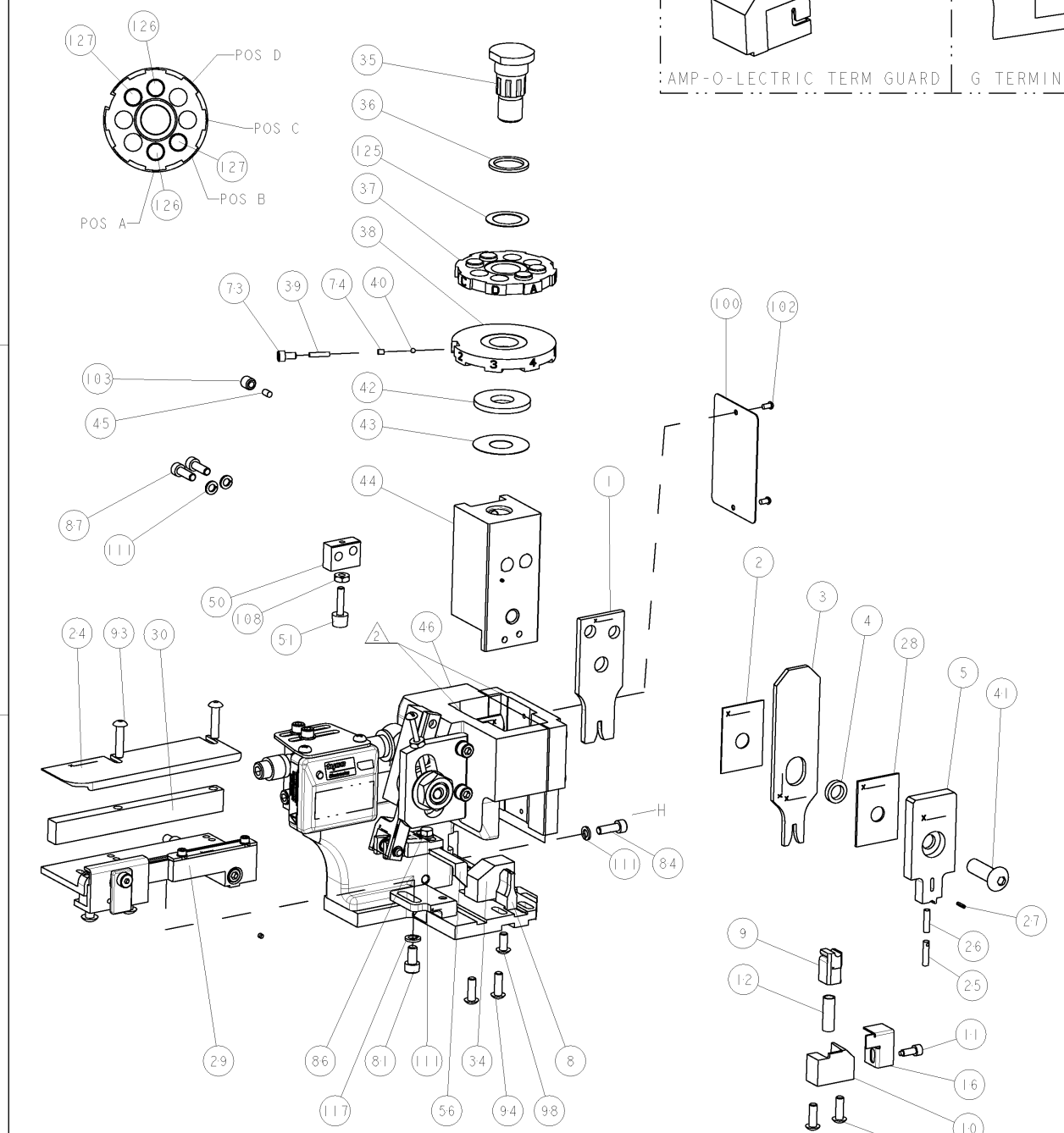
THIS DRAWING IS UNPUBLISHED. RELEASED FOR PUBLICATION 20
 COPYRIGHT 20 BY TYCO ELECTRONICS CORPORATION. ALL RIGHTS RESERVED.

PART NUMBER	REV	FIRST USED	POWER UNIT	FEED TYPE
1852115-1	A	122500-1	LEADMAKER	POST FEED
1852115-2	A	565435-5	BENCH MODEL K	PRE FEED
1852115-3	A	354500-1	BENCH MODEL G	PRE FEED



TERMINAL NAME: TAXI TERMINAL - GT 150			
TYCO PN	MANUF PN	PACKARD TERM - PACKARD CRIMP SPECS	
1572783-1	12191812		
		PAD LTR	CRIMP HEIGHT
		A	.055±.002[1.40±0.05mm]
		B	.049±.002[1.24±0.05mm]
		C	
		D	
		CRIMP	SIZE TYPE RANGE
		WIRE	.080 [2.03mm] F 18-16 AWG
		INSUL	.100 [2.54mm] F ∅.067-.089
WIRE STRIP LENGTH	TERM APPL SPEC	FEED	APPL INSTRUCTIONS
.179-.194	NONE	.437	408-8040
			SET UP GAGE 458637-1

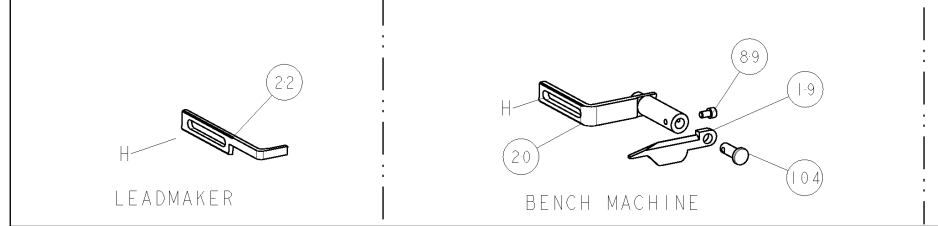
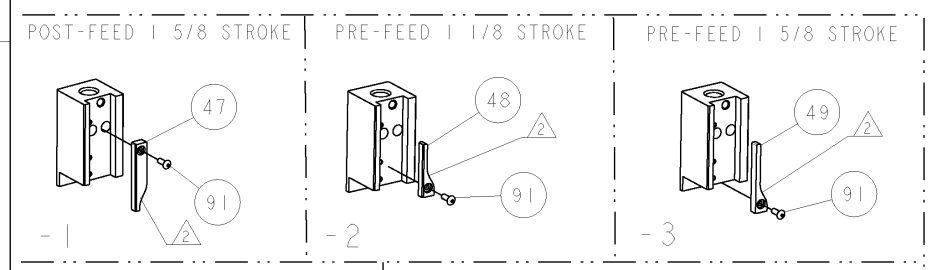
REVISONS		DATE	BY	APPV
A	RELEASED	08SEP2005	MEH	TE



- △ 1 RECOMMENDED SPARE PARTS
- △ 2 GREASE LIGHTLY
- △ 3 GUARD MUST BE IN PLACE WHEN OPERATING APPLICATOR IN A BENCH MACHINE

-	-	-	-	-	-	129
-	-	-	-	-	-	128
2	2	2	-	3-354779-6	PIN, WIRE DISC, .3170	127
2	2	2	-	2-354779-2	PIN, WIRE DISC, .3100	126
1	1	1	-	986950-1	WASHER, FLAT PRECISION	125
1	1	1	-	217238-1	GENERAL INSTRUCTION PKG	124
1	1	1	-	4088040	SF APPL INST 408-8040	123
-	-	-	-	-	-	122
-	-	-	-	-	-	121
-	-	-	-	-	-	120
-	-	-	-	-	-	119
-	-	-	-	-	-	118
1	1	1	-	21024-5	WASHER, SPRG LOCK, REG NO 10	117
-	-	-	-	-	-	116
-	-	-	-	-	-	115
-	-	-	-	-	-	114
-	-	-	-	-	-	113
-	-	-	-	-	-	112
4	4	4	-	21024-4	WASHER, SPRG LOCK, REG NO 8	111
-	-	-	-	-	-	110
-	-	-	-	-	-	109
1	1	1	-	21018-5	NUT, HEX, REG 6-32	108
-	-	-	-	-	-	107
-	-	-	-	-	-	106
-	-	-	-	-	-	105
1	1	-	-	992031-1	PIN, CLEVIS	104
1	1	1	-	21009-2	SCR, SET, SELF LOCKING 1/4-20 X .250	103
2	2	2	-	21017-2	SCREW, DRIVE	102
-	-	-	-	-	-	101
1	1	1	-	461264-1	PLATE, IDENTIFICATION	100
-	-	-	-	-	-	99
1	1	1	-	22733-8	SCR, BHSC, SELF-LOCKING, 8-32 X .375	98
-	-	-	-	-	-	97
-	-	-	-	-	-	96
-	-	-	-	-	-	95
4	4	4	-	2-21002-2	SCR, BTN SKT HD CAP 8-32 X .500	94
2	2	2	-	2-21002-4	SCR, BTN SKT HD CAP 8-32 X .750	93
-	-	-	-	-	-	92
1	1	1	-	1-21002-7	SCR, BTN SKT HD CAP 6-32 X .375	91
-	-	-	-	-	-	90
1	1	-	-	7-21000-9	SCR, SKT HD CAP 4-40 X .188	89
-	-	-	-	-	-	88
2	2	2	-	2-21000-7	SCR, SKT HD CAP 8-32 X .500	87
1	1	1	-	2-22603-0	SCR, HEX HD CAP 8-32 X .312	86
-	-	-	-	-	-	85
1	1	1	-	2-21000-7	SCR, SKT HD CAP 8-32 X .500	84
-	-	-	-	-	-	83
-	-	-	-	-	-	82
1	1	1	-	3-21000-4	SCR, SKT HD CAP 10-32 X .375	81
-	-	-	-	-	-	80
-	-	-	-	455749-1	GUARD WINDOW	79
REF	REF	REF	-	679532-1	INSERT, GUARD	78
-	-	-	-	-	-	77
-	-	-	-	-	-	76
-	-	-	-	-	-	75
-	-	-	-	-	-	74
1	1	1	-	690603-1	SPRING ASSIST AMP-O-MATOR APPLICATOR	73
-3	-2	-1	U/M	PART NO	DESCRIPTION	ITEM NO

-	-	-	-	23030-1	SCR, SKT HD CAP 6-32 X .25	73
-	-	-	-	-	-	72
-	-	-	-	-	-	71
-	-	-	-	-	-	70
-	-	-	-	-	-	69
-	-	-	-	-	-	68
-	-	-	-	-	-	67
-	-	-	-	-	-	66
-	-	-	-	-	-	65
-	-	-	-	-	-	64
-	-	-	-	-	-	63
-	-	-	-	-	-	62
-	-	-	-	-	-	61
-	-	-	-	-	-	60
-	-	-	-	-	-	59
-	-	-	-	-	-	58
-	-	-	-	-	-	57
1	1	1	-	458537-2	PAWL, FEED	56
-	-	-	-	-	-	55
-	-	-	-	-	-	54
-	-	-	-	-	-	53
-	-	-	-	-	-	52
1	1	1	-	811242-2	BUMPER, HOLD DOWN	51
1	1	1	-	690753-1	SPACER, TONKER	50
1	1	-	-	690602-6	CAM, PRE FEED, 1 5/8	49
-	-	1	-	690602-5	CAM, PRE FEED, 1 1/8	48
-	-	1	-	690501-4	CAM, POST FEED, 1 5/8	47
1	1	1	-	459456-1	APPL. BASIC SUB ASSY (SIDE WISE MQCA)	46
1	1	1	-	690191-1	PLUG, NYLON	45
1	1	1	-	455673-1	RAM, SIDE FEED	44
1	1	1	-	690125-1	SHIM SUB-ASSY	43
1	1	1	-	690124-1	WASHER, RAM (.115)	42
1	1	1	-	7-21002-9	SCR, BTN SKT HD CAP 5/16-24 X 1.00	41
1	1	1	-	23241-6	BALL, STEEL	40
1	1	1	-	690170-1	SPRING, COMPRESSION	39
1	1	1	-	690142-6	DISC, INSULATION	38
1	1	1	-	354777-1	WIRE DISC, ASSEMBLY	37
1	1	1	-	22480-5	SPRING, COMPRESSION	36
1	1	1	-	690212-1	POST, RAM	35
1	1	1	-	690786-3	TERMINAL SUPPORT	34
-	-	-	-	-	-	33
-	-	-	-	-	-	32
-	-	-	-	-	-	31
1	1	1	-	1320908-1	SPACER, STRIP GUIDE	30
1	1	1	-	1633091-1	SUB-ASSEMBLY, FEEDTRACK	29
1	1	1	-	1-455888-0	SPACER, CRIMPER	28
1	1	1	-	21028-2	PIN, SLOTTED SPRING .062 X .250	27
1	1	1	-	1-22278-0	SPRING, COMPRESSION	26
1	1	1	-	854769-1	HOLDER, INS	25
1	1	1	-	1320928-1	PLATE, STRIP GUIDE	24
-	-	-	-	-	-	23
-	-	-	-	-	-	22
-	-	-	-	-	-	21
1	1	-	-	679218-1	STRIPPER/ WIRE STOP ASSY	20
1	1	-	-	458949-1	STRIPPER, SIDE	19
-	-	-	-	-	-	18
-	-	-	-	-	-	17
1	1	1	-	318563-1	GUARD, FRONT CHIP	16
-	-	-	-	-	-	15
-	-	-	-	-	-	14
-	-	-	-	-	-	13
△	1	1	1	5-22280-0	SPRING, COMPRESSION	12
1	1	1	1	690461-1	STOP, SHEAR	11
△	1	1	1	690459-1	SHEAR HOLDER, FRONT	10
△	1	1	1	462006-7	FLOATING SHEAR, FRONT	9
△	1	1	1	1633109-8	ANVIL, COMBINATION .080	8
-	-	-	-	-	-	7
-	-	-	-	-	-	6
1	1	1	1	854772-1	DEPRESSOR, SHEAR	5
1	1	1	1	238011-9	BLOCK, CRIMPER SPACER	4
1	1	1	1	4-683453-7	CRIMPER, INSULATION PREMIUM	3
1	1	1	1	455888-5	SPACER, CRIMPER	2
△	1	1	1	456405-8	CRIMPER, WIRE PREMIUM	1



DIMENSIONS: INCHES		TOLERANCES UNLESS OTHERWISE SPECIFIED:		DATE: 29AUG2005		DRAWN: M. HERR		CHECKED: R. WILSON		APPROVED: T. FABIAN		PRODUCT SPEC: 30AUG2005		NAME: SIDE FEED HDM APPLICATOR		SIZE: A		CAGE CODE: 00779		DRAWING NO: 1852115		RESTRICTED TO: -	
MATERIAL: -		FINISH: -		WEIGHT: -		CUSTOMER DRAWING: -		SCALE: 3:5		SHEET: 1		OF: 1		REV: A									

CUSTOMER VIEWABLE ASSEMBLY

Mouser Electronics

Authorized Distributor

Click to View Pricing, Inventory, Delivery & Lifecycle Information:

[TE Connectivity:](#)

[1852115-2](#)