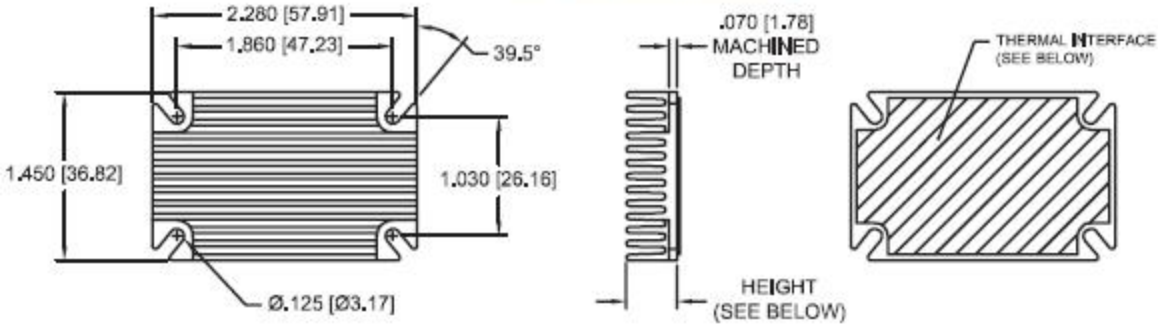


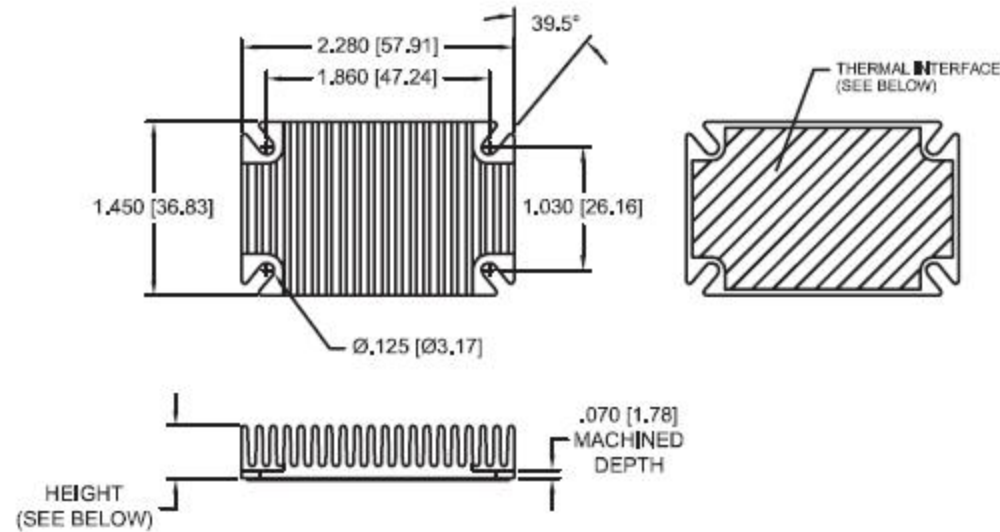
Standard P/N	Footprint Dimensions in. (mm)	Height in. (mm)	Fin Orientation	Number of Fins	Forced Convection Thermal Resistance at 300 ft/min (C/W)
537-95AB	2.28 (57.9) x 1.45 (36.8)	0.95 (24.1)	Horizontal	8	2.1
537-45AB	2.28 (57.9) x 1.45 (36.8)	0.45 (11.4)	Horizontal	13	2.3
537-24AB	2.28 (57.9) x 1.45 (36.8)	0.24 (6.1)	Horizontal	14	4.2
547-95AB	1.45 (36.8) x 2.28 (57.9)	0.95 (24.1)	Vertical	11	2.2
547-45AB	1.45 (36.8) x 2.28 (57.9)	0.45 (11.4)	Vertical	20	2.1
547-24AB	1.45 (36.8) x 2.28 (57.9)	0.24 (6.1)	Vertical	22	3.5

MECHANICAL DIMENSIONS 537 & 547 SERIES

537 SERIES DIMENSIONS

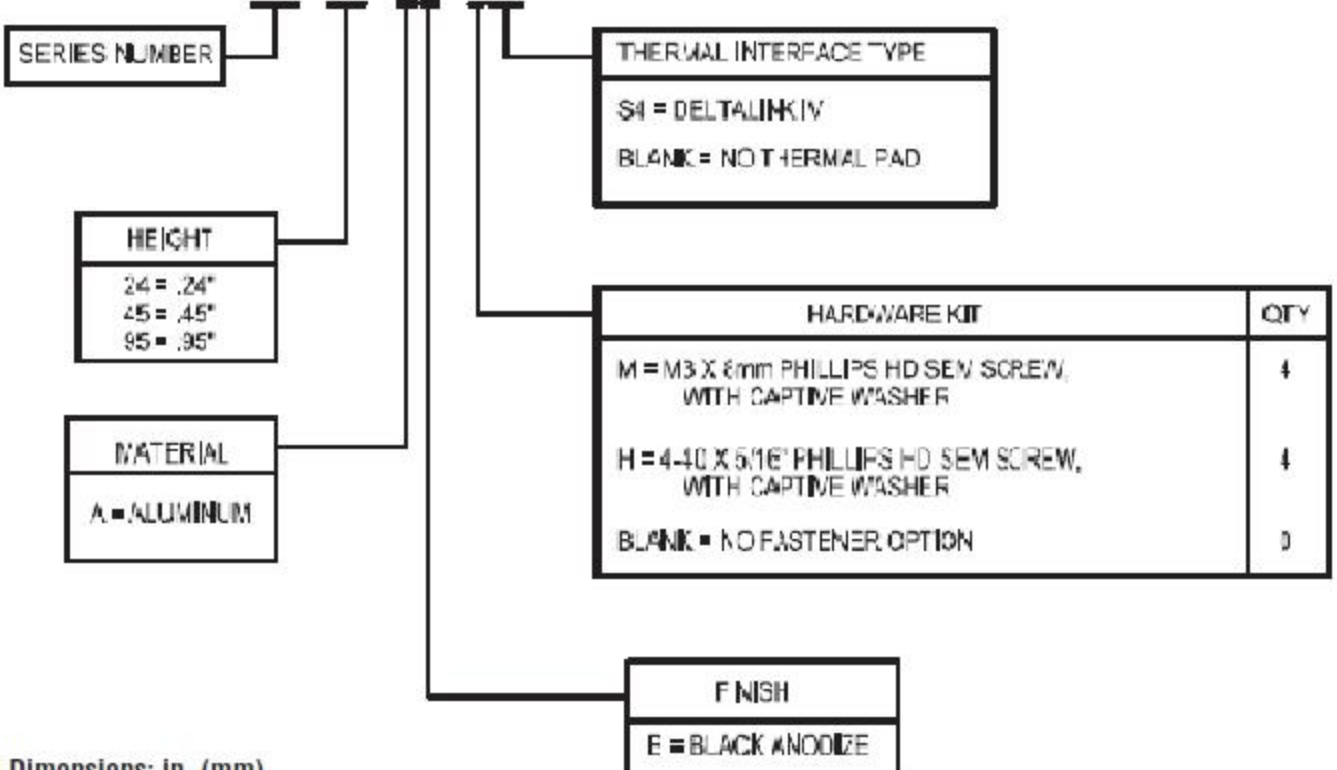


547 SERIES DIMENSIONS



PRODUCT DESIGNATION

SERIES 537 - 95 - A3 - MS4



Mouser Electronics

Authorized Distributor

Click to View Pricing, Inventory, Delivery & Lifecycle Information:

Wakefield-Vette:

[537-45AB-ME](#) [537-95AB-ME](#) [547-24AB-ME](#) [547-45AB-ME](#) [537-24AB-ME](#) [537-24AB-MET725](#) [537-24AB-T725](#)
[537-45AB-MET725](#) [537-45AB-T725](#) [537-95AB-MET725](#) [537-95AB-T725](#) [547-24AB-MET725](#) [547-24AB-T725](#) [547-45AB-MET725](#) [547-45AB-T725](#) [547-95AB-MET725](#) [547-95AB-T725](#)