

4

3

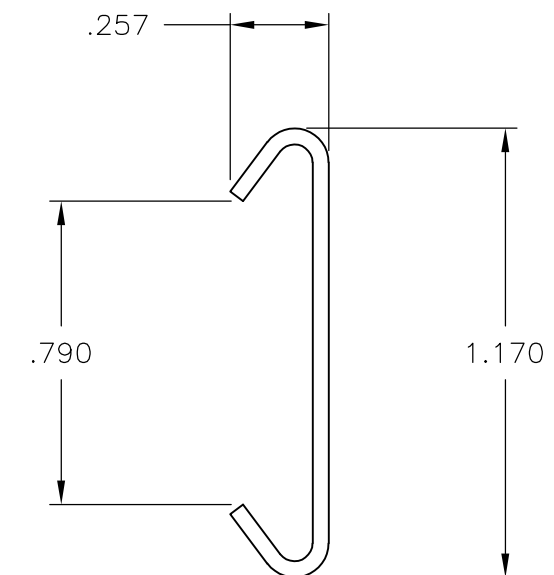
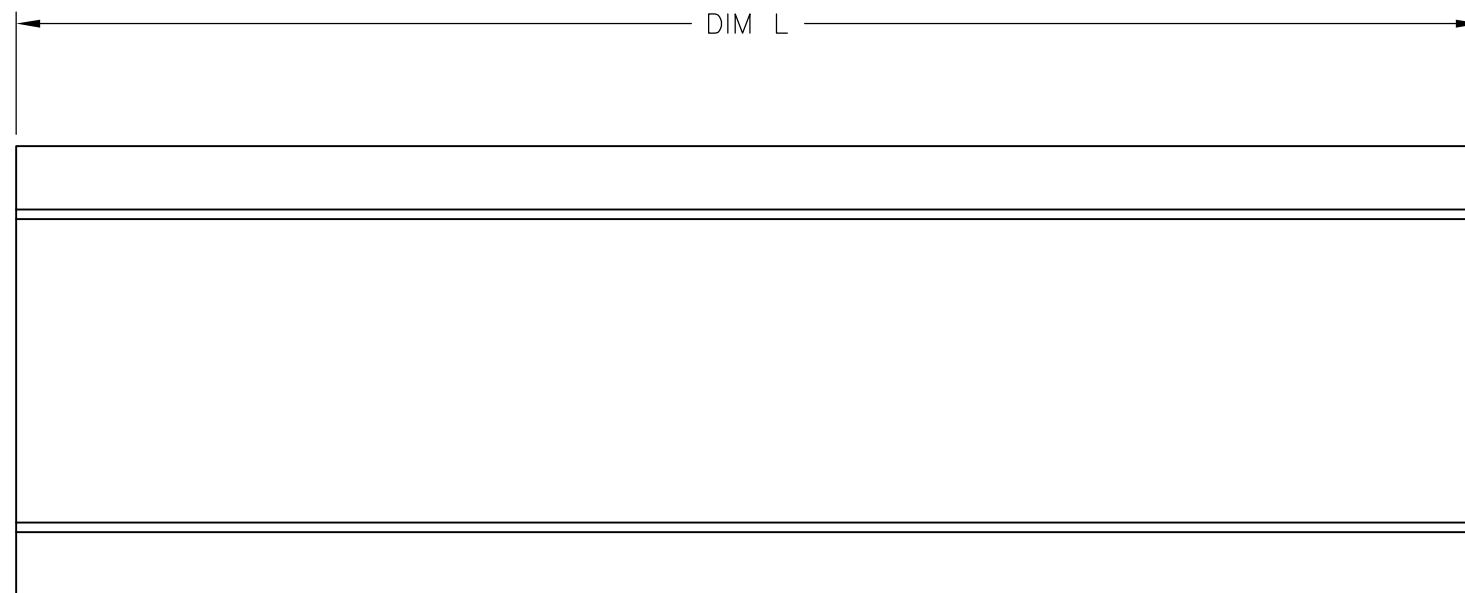
2

1

THIS DRAWING IS UNPUBLISHED. RELEASED FOR PUBLICATION
 © COPYRIGHT - By - ALL RIGHTS RESERVED.

LOC	DIST	REVISIONS			
P	LTR	DESCRIPTION	DATE	DWN	APVD
	A	REVISED PER ECO-13-017511	08NOV2013	KH	MB

- 1 MATERIAL: ZINC PLATED, STEEL.
- 2 FOR USE WITH DOVETAIL BASE TERMINAL BLOCKS.



36 ⁺⁵ / _{-.25}	STEEL CHANNEL, 3 FT	63-BU	9-1437381-8
72 ⁺⁵ / ₀	STEEL CHANNEL, 6 FT	60	9-1437381-1
DIM L	DESCRIPTION	CATALOG NUMBER	PART NUMBER

THIS DRAWING IS A CONTROLLED DOCUMENT.		DWN S SCHLEGEL	25JUN03	STE TE Connectivity	
DIMENSIONS: INCHES		CHK S YODER	6/26/03		
TOLERANCES UNLESS OTHERWISE SPECIFIED:		APVD S YODER	6/26/03	NAME CHANNEL FOR SECTIONAL BLOCKS WITH DOVETAIL	
0 PLC ± -		PRODUCT SPEC		-	
1 PLC ± -		APPLICATION SPEC		-	
2 PLC ± -		WEIGHT		-	
3 PLC ± -		SIZE		A3	
4 PLC ± -		CAGE CODE		00779	
ANGLES ± -		DRAWING NO		C-9-1437381-1	
MATERIAL		RESTRICTED TO		-	
1		FINISH		1	
CUSTOMER DRAWING		SCALE		2:1	
		SHEET		1 OF 1	
		REV		A	

Mouser Electronics

Authorized Distributor

Click to View Pricing, Inventory, Delivery & Lifecycle Information:

[TE Connectivity:](#)

[9-1437381-8](#) [63-BU](#)