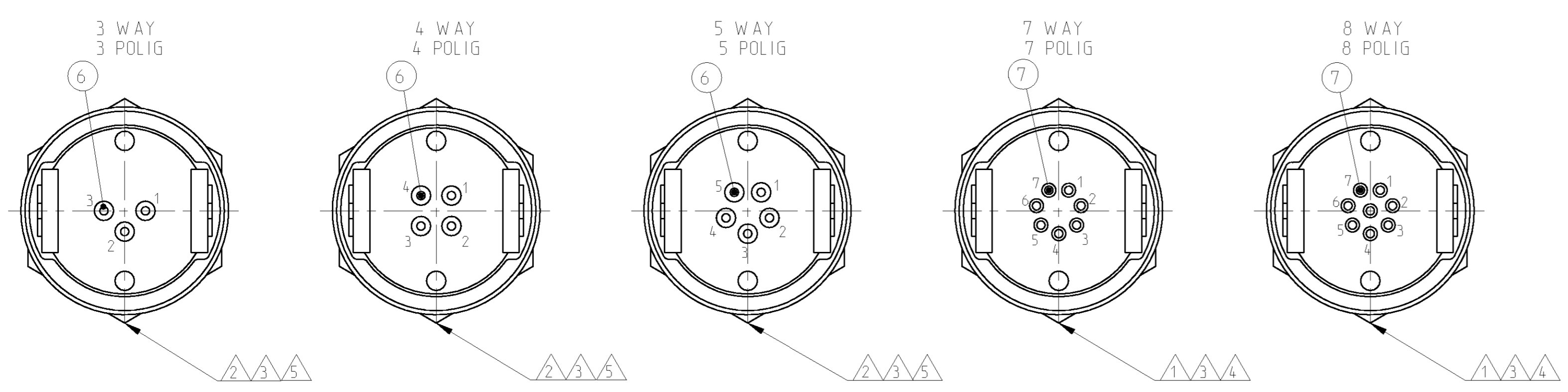
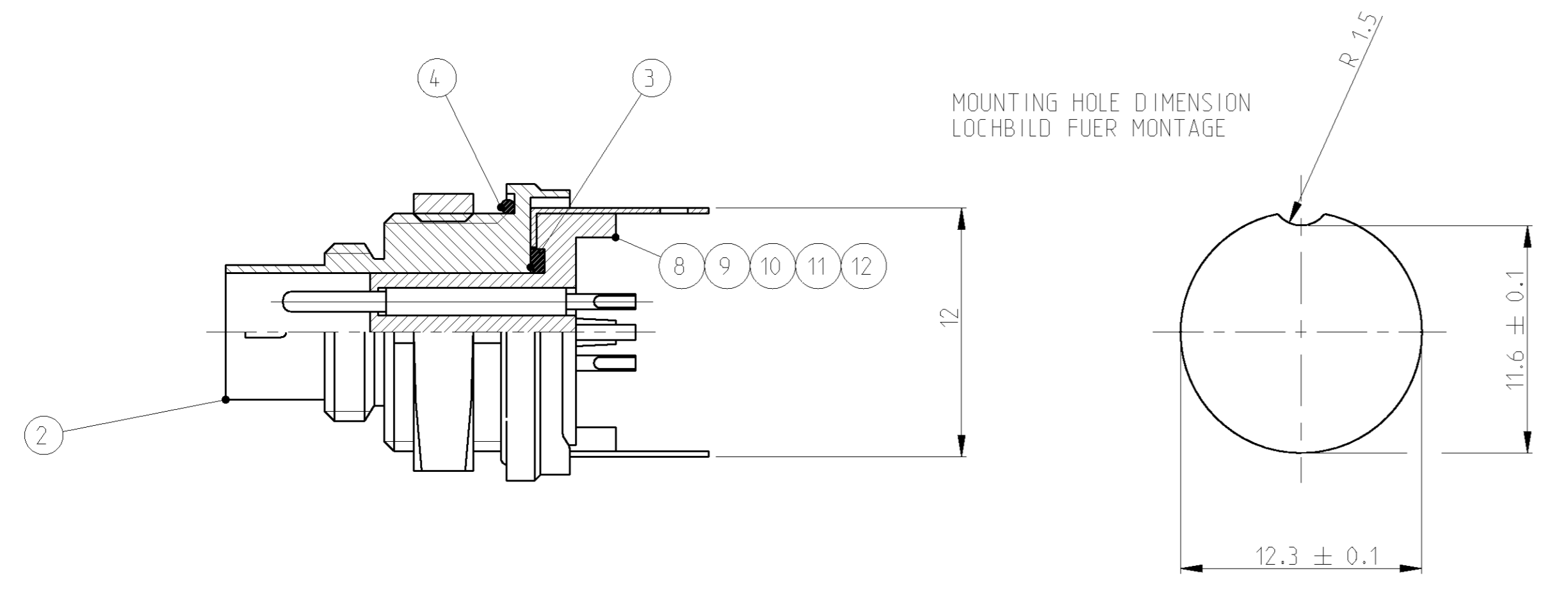
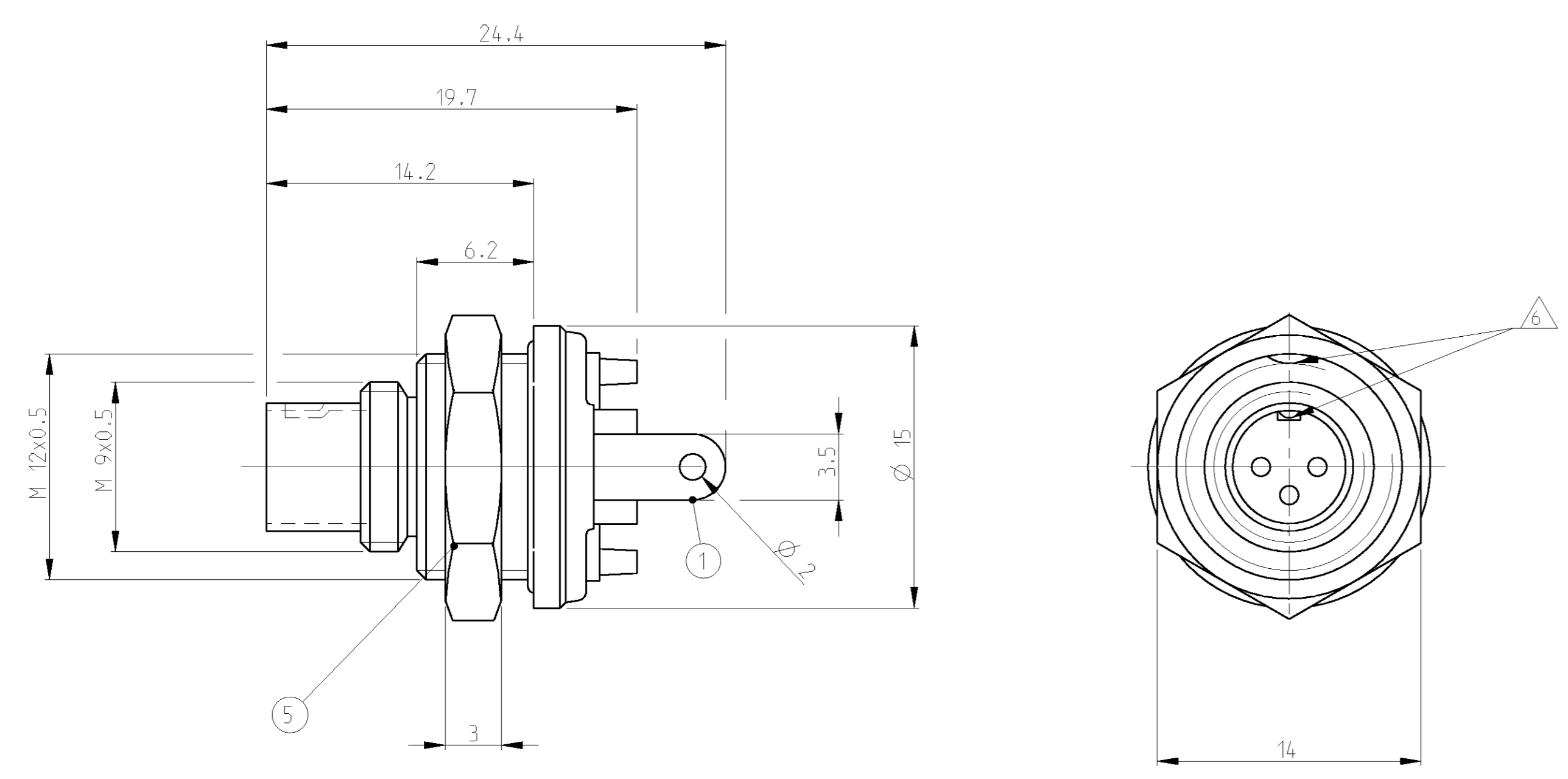


LOC	DISC	REV	DATE	BY	APPV
A1	-	1	19 JUN 2001	NG	GF
A2	-	2	06 DEC 2002	NG	GF



MATERIAL / MATERIAL: PBT, UL-94 V2	△
SHELL MATERIAL / GEHAUSEMATERIAL: CUZN	
FINISH / BESCHICHTUNG: TRIBOR 4 µm	
CODING / KODIERUNG	△
WIRE GAGE / DRAHTGROESSE IN mm <sup>2</sup> : 0.25	△
WIRE GAGE / DRAHTGROESSE IN mm <sup>2</sup> : 0.14	△
CONTACT RESISTANCE / KONTAKTWIDERSTAND: => 5 mΩ	△
RATED CURRENT PER CONTACT / NENNSTROM PRO KONTAKT: 3 A	△
RATED CURRENT PER CONTACT / NENNSTROM PRO KONTAKT: 1 A	△
SHELL PROTECTION CLASS / SCHUTZKLASSE: IP 65 / DIN 40050	
TERMINATION: SOLDERING / VERBINDUNG: LOETKONTAKTE	
TEST VOLTAGE / PRUEFSPANNUNG: 500 VAC	
OPERATING VOLTAGE / BETRIEBSSPANNUNG: 60 VAC	
OPERATING TEMPERATURE: -40°C TO +80°C / ARBEITSTEMPERATUR: -40°C BIS +80°C	
MATING CYCLES / STECKZYKLEN: 500 MAX.	
TECHNICAL DATA TECHNISCHE DATEN	



TYCO-NO. / TYCO NR.	QTY REQD PER ASSY	DESCRIPTION / BESCHREIBUNG	ITEM-NO. TEIL-NR.
9-1437719-3	1	INSULATION TUBE 8 POS. / ISOLIERHUELSE 8 POL.	12
9-1437719-0	1	INSULATION TUBE 7 POS. / ISOLIERHUELSE 7 POL.	11
8-1437719-7	1	INSULATION TUBE 5 POS. / ISOLIERHUELSE 5 POL.	10
8-1437719-4	1	INSULATION TUBE 4 POS. / ISOLIERHUELSE 4 POL.	9
8-1437719-1	1	INSULATION TUBE 3 POS. / ISOLIERHUELSE 3 POL.	8
8 7		PIN APPLIED BY PRESSURE / STIFTKONTAKT EINGEPRESST	7
5 4 3		PIN APPLIED BY PRESSURE / STIFTKONTAKT EINGEPRESST	6
1 1 1 1 1		NUT / MUTTER	5
1 1 1 1 1		SEAL / DICHTUNG	4
1 1 1 1 1		SEAL / DICHTUNG	3
1 1 1 1 1		HOUSING / GEHAUSE	2
1 1 1 1 1		GROUND ON SOLDER FLAG FAHNE FUER MASSEVERBINDUNG	1
- - - - -		REVISION OF EACH ASSY NO. (WHEN BLANK, USE DWG REV.)	
T01-0580-P08			
T01-0580-P07			
T01-0580-P05			
T01-0580-P04			
T01-0580-P03			

DATE: 19 JUN 2001 BY: H. SCHERER APPV: G. FELDMAYER	DATE: 19 JUN 2001 BY: H. SCHERER APPV: G. FELDMAYER	DATE: 19 JUN 2001 BY: H. SCHERER APPV: G. FELDMAYER	DATE: 19 JUN 2001 BY: H. SCHERER APPV: G. FELDMAYER
TYCO ELECTRONICS CORPORATION	TYCO ELECTRONICS CORPORATION	TYCO ELECTRONICS CORPORATION	TYCO ELECTRONICS CORPORATION
TYCO ELECTRONICS CORPORATION	TYCO ELECTRONICS CORPORATION	TYCO ELECTRONICS CORPORATION	TYCO ELECTRONICS CORPORATION
TYCO ELECTRONICS CORPORATION	TYCO ELECTRONICS CORPORATION	TYCO ELECTRONICS CORPORATION	TYCO ELECTRONICS CORPORATION

8-1437719-1 AS SHOWN  
WIE GEZEICHNET

# Mouser Electronics

Authorized Distributor

Click to View Pricing, Inventory, Delivery & Lifecycle Information:

[TE Connectivity:](#)

[8-1437719-1](#)