

THIS DRAWING IS UNPUBLISHED.

RELEASED FOR PUBLICATION

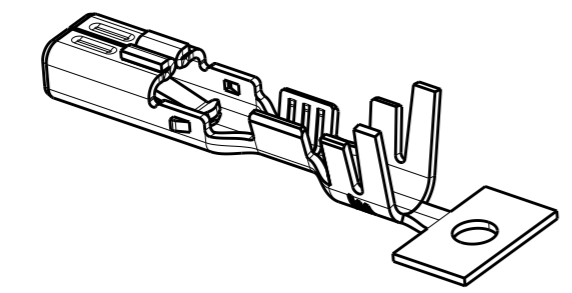
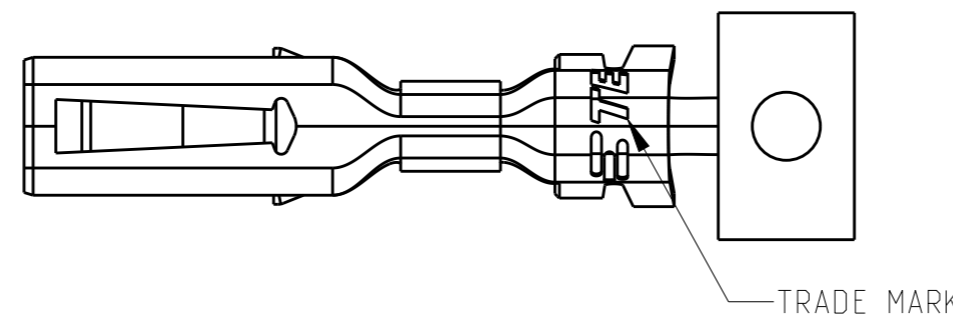
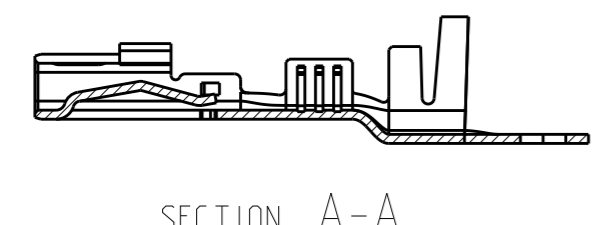
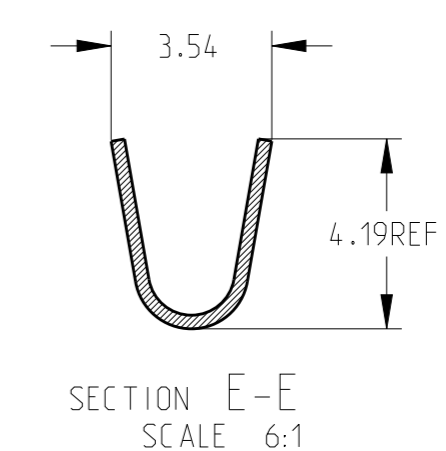
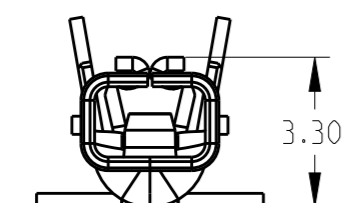
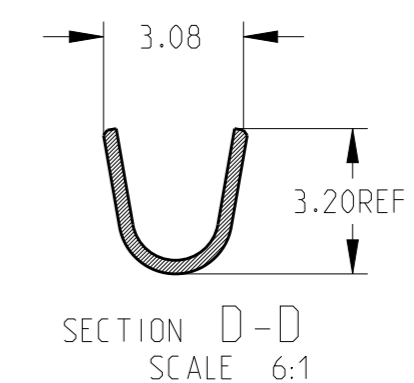
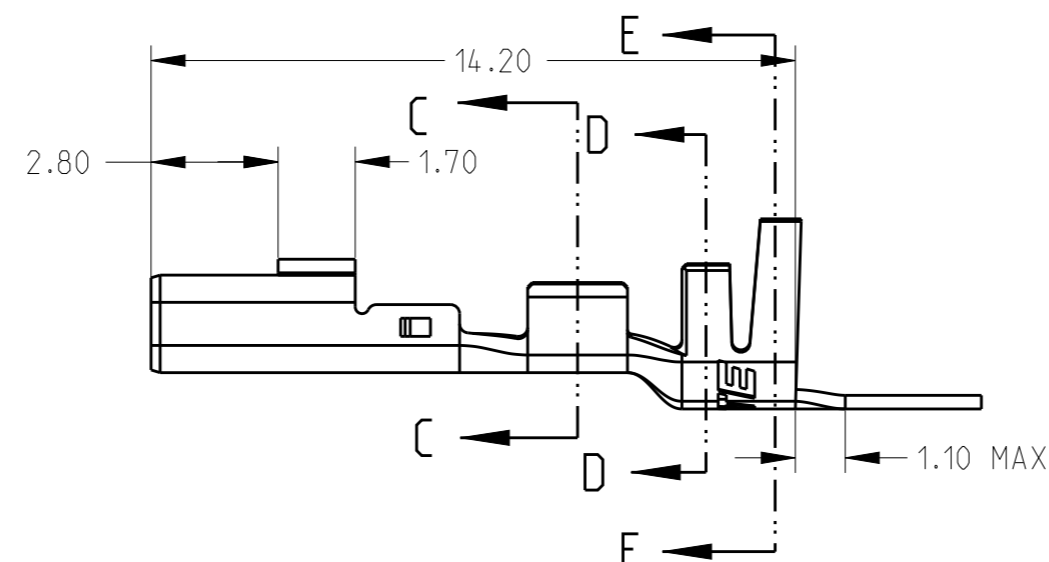
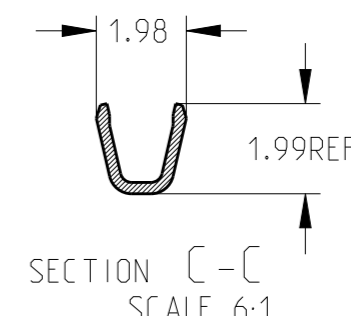
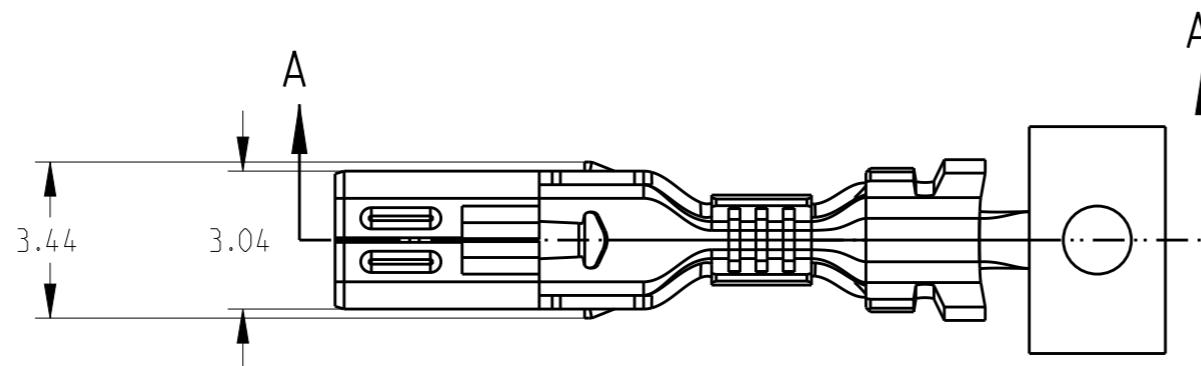
© COPYRIGHT 19 BY -

ALL RIGHTS RESERVED.

LOC ES DIST 00


REVISIONS

P	LTR	DESCRIPTION	DATE	DWN	APVD
	A1	REVISED PER ECR-17-000612	06FEB17	N.L	D.Z



(4000PCS/REEL)*5	3-1983664-1
(5000PCS/REEL)*5	1983664-1
PACKAGE QUANTITY(PCS)	PART NO.

NOTE:
 1.MATERIAL:COPPER ALLOY,PRE-TINNED
 2.APPLICABLE HOUSING P/N:1983658-*, 1983659-*, 1983660-*

THIS DRAWING IS A CONTROLLED DOCUMENT.		DWN LEO LIU 24AUG2011	 TE Connectivity REC. CONTACT MULTI 6P CONNECTOR	
DIMENSIONS: mm		CHK WU HAPYE 24AUG2011		
TOLERANCES UNLESS OTHERWISE SPECIFIED:		APVD FRIC KONG 24AUG2011		
0 PLC ±- 1 PLC ±1.0 2 PLC ±0.50 3 PLC ±0.300 4 PLC ±0.2000 ANGLES ±-		PRODUCT SPEC 108-106071		
MATERIAL -		FINISH -	APPLICATION SPEC 114-106071	NAME
			WEIGHT -	SIZE A3
				CAGE CODE -
				DRAWING NO ©=1983664
				RESTRICTED TO -
				SCALE N/A
				SHEET 1 OF 1
				REV A1

Mouser Electronics

Authorized Distributor

Click to View Pricing, Inventory, Delivery & Lifecycle Information:

[TE Connectivity:](#)

[1983664-1](#)