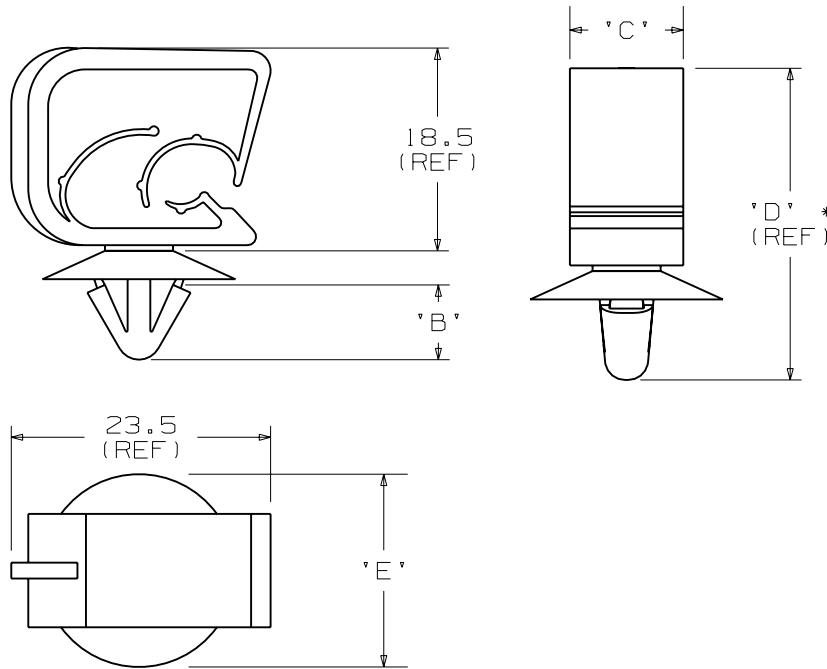


PANDUIT PART NO.	BUNDLE DIA MIN - MAX.	DIMENSIONS				MATERIAL	COLOR	WEIGHT grams 100 pcs
		'B'	'C'	'D'	'E'			
HCMU04C13-...20	4 - 13	5.7	10.0	26.7	19	NYLON 6/6	SCHWARZ black	180
HCMU04C13-...469						NYLON 4/6	NATUR natural	



NOTES:

1. SEE CURRENT PRICE SHEET FOR PART NUMBER SUFFIX DESIGNATION FOR PACKAGE SIZE, AND COLOR.
2. (*) DIMENSIONAL VARIANCE IS POSSIBLE DUE TO MOLDING PROCESS RELATED SINK MARKS.
3. APPLICATION SPECIFICATION:
 HOLE DIAMETER: 6.3 - 6.6 mm
 PANEL THICKNESS: 0.8 - 2.3 mm

CAD FILENAME/LAYERS G01932BB_PB_HCMU04C13_07

PANDUIT CORP. TINLEY PARK, ILLINOIS

HARNESS CLIP WITH PUSH MOUNT ANCHOR AND UMBRELLA

UNLESS OTHERWISE SPECIFIED, ALL DIMENSIONS ARE METRIC
 TOLERANCE: ±0.5 mm

DRAWN BY CGSM	MAT'L:	SCALE 1.5X
DATE 2-17-98	SEE TABLE	DRAWING NO. GB1932BB
CHK'D		DWG SIZE A

SCALE: FULL

7	3-3-06	TMSA		REVISED DIM "D" FROM 27.6	GB1932BB	7			
REV	DATE	BY	CHK	DESCRIPTION	ECN	R	CUST	SUP	

Mouser Electronics

Authorized Distributor

Click to View Pricing, Inventory, Delivery & Lifecycle Information:

[Panduit:](#)

[HCMU04C13-M20](#) [HCMU04C13-VM20](#)