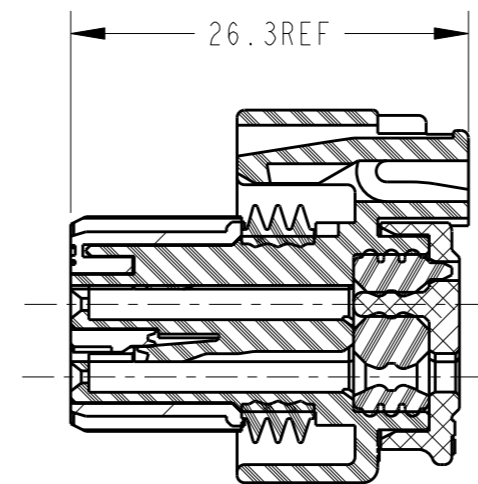


LOC	DIST	REVISIONS						
J	-	P	LTR	DESCRIPTION	ECN	DATE	DWN	APVD
			AI	ADDED -1, -3, -4	ECR-11-018743	17SEP2011	YN	YF

PART NO.	1473847-1	1473847-2	1473847-3	1473847-4
FIGURE OF WIRE SEALE COVER				
PORALITY KEY CODE				
	CODE : A	CODE : A	CODE : B	CODE : C
RETAINER COLOR	WHITE	WHITE	GRAY	GREEN

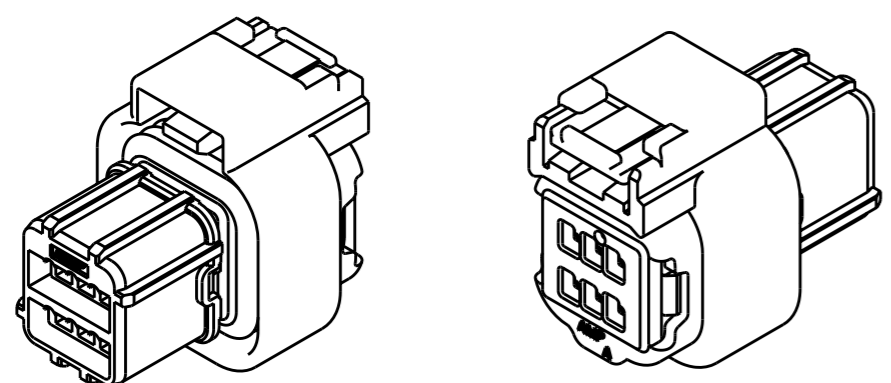
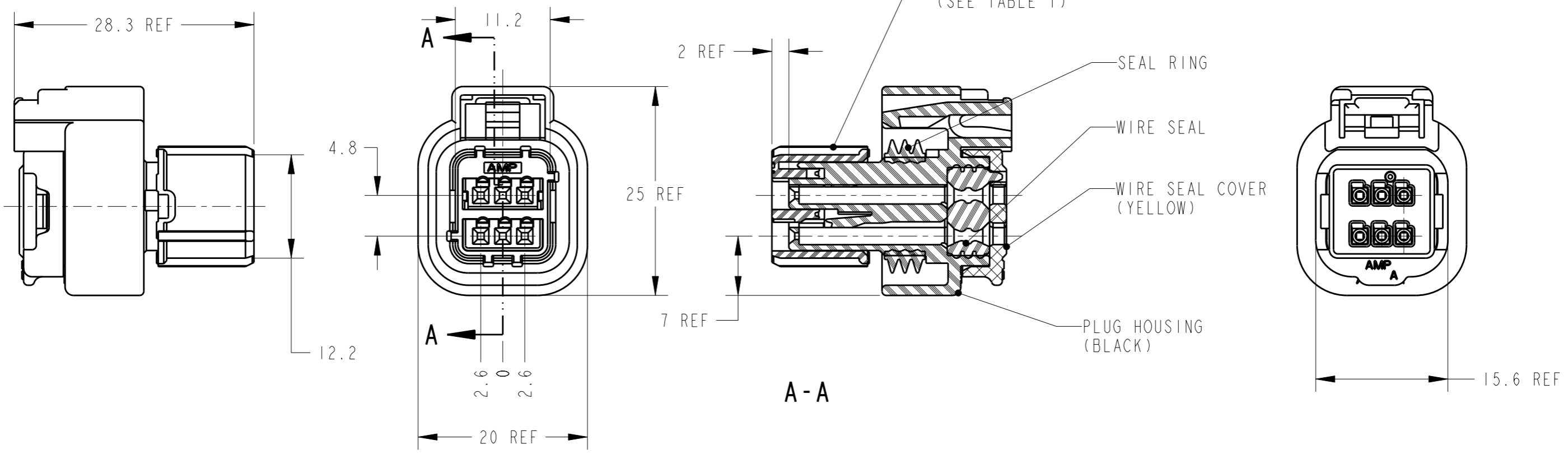


FINAL LOCK CONDITION OF RETAINER

1. GENERAL TOLERANCES
一般公差
- | | | |
|------|------|---------|
| 10 ≥ | : | ±0.2 |
| 30 ≥ | > 10 | : ±0.25 |
| | > 30 | : ±0.3 |

2. INSUTRUCTION SHEET : 411-78021
取扱説明書

TABLE . 1



THIS DRAWING IS A CONTROLLED DOCUMENT.

DIMENSIONS: 単位: 耗 mm	TOLERANCES UNLESS OTHERWISE SPECIFIED:
	0-PLC ±
	1-PLC ±0.5
	2-PLC ±0.13
	3-PLC ±0.013
	4-PLC ±0.000
	ANGLES ±3'00"

MATERIAL PBT FINISH BLACK

DWN	Y.FUJIWARA	01NOV01
CHK	Y.NOGUCHI	01NOV01
APVD	K.ASAI	01NOV01
PRODUCT SPEC	108-5763	
APPLICATION SPEC	114-5278	
WEIGHT	6.2g	

WIRE RANGE 抱合電線断面積	0.3~0.5 SQ	INSULATION DIA 被覆外径	1.4~1.7 DIA
STE		TE Connectivity	
NAME 名称 PLUG HOUSING ASSY 6 POS CLEAN BODY 025 CONNECTOR			
SIZE	A3	CAGE CODE	00779
DRAWING NO	C=1473847		
RESTRICTED TO	-		
CUSTOMER DRAWING	SCALE 尺度	SHEET 1	OF 1
		REV	AI

Mouser Electronics

Authorized Distributor

Click to View Pricing, Inventory, Delivery & Lifecycle Information:

[TE Connectivity:](#)

[1473847-2](#)