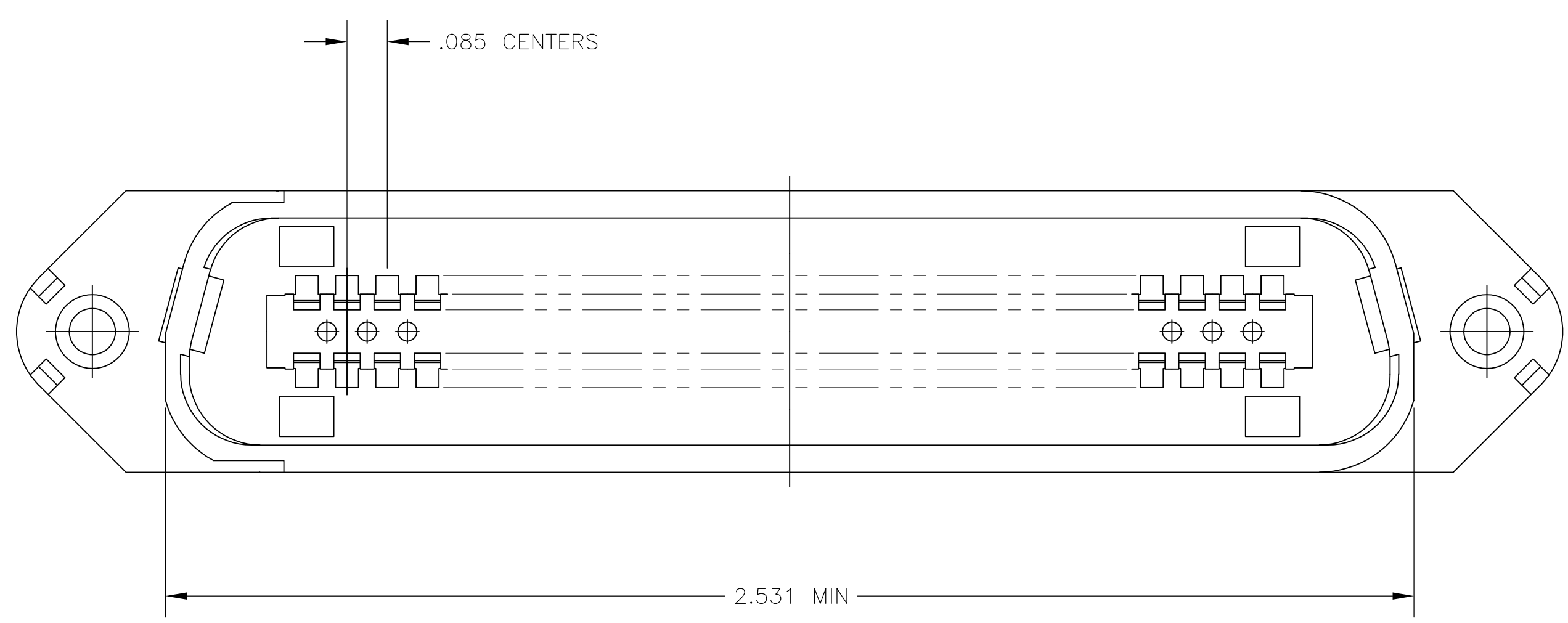
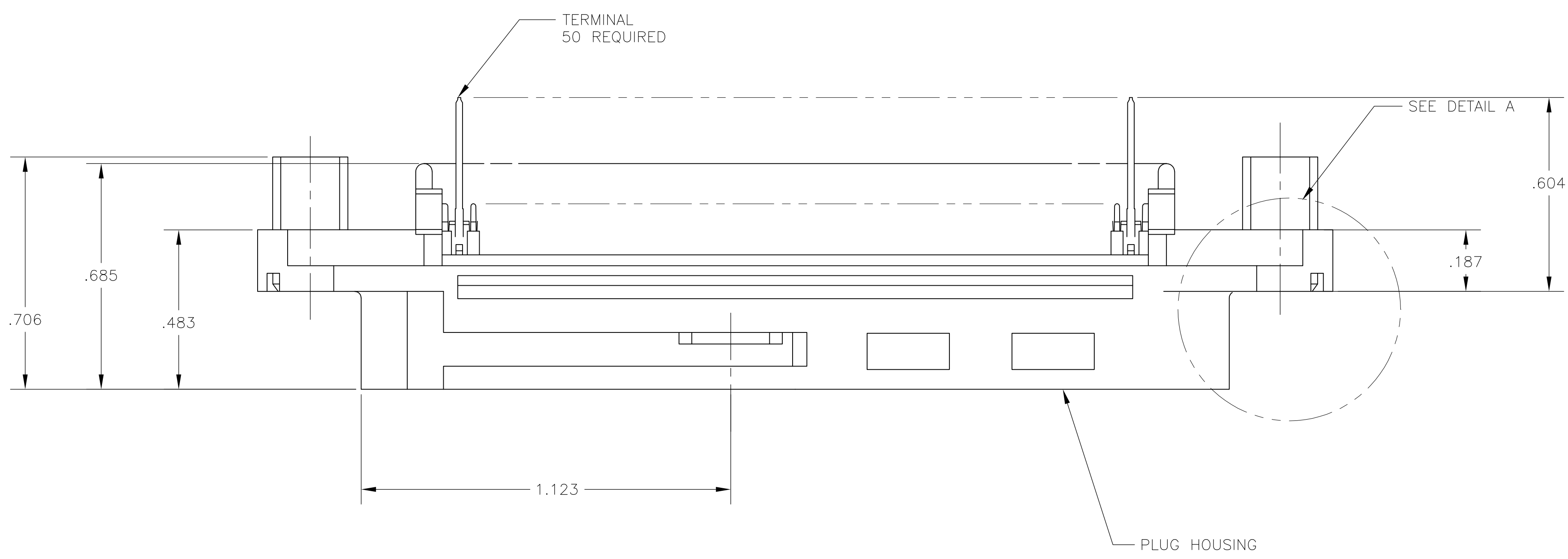
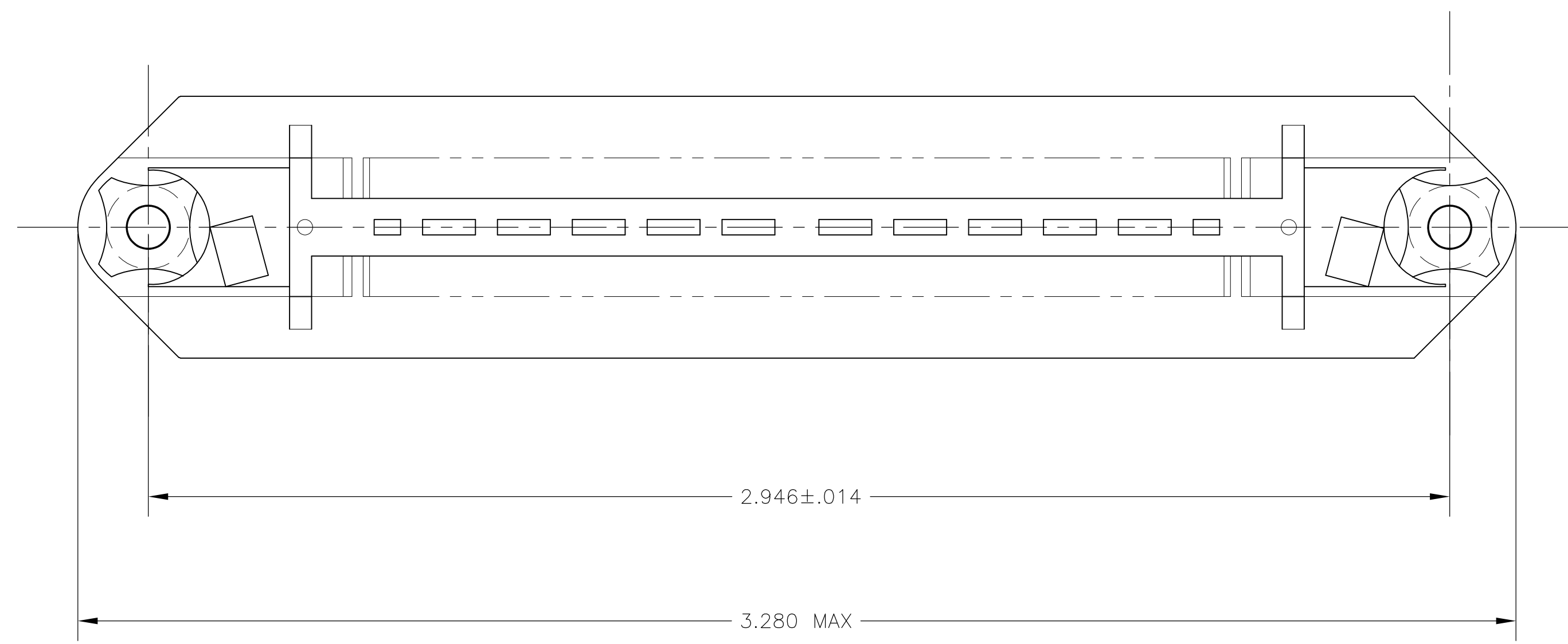
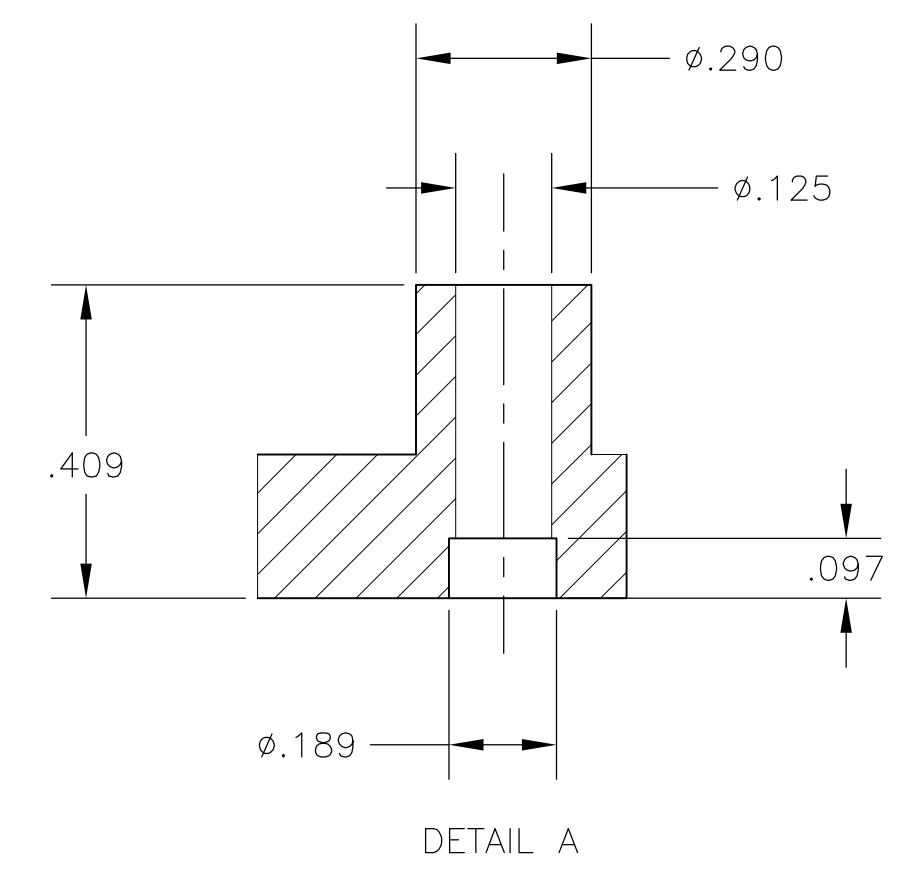
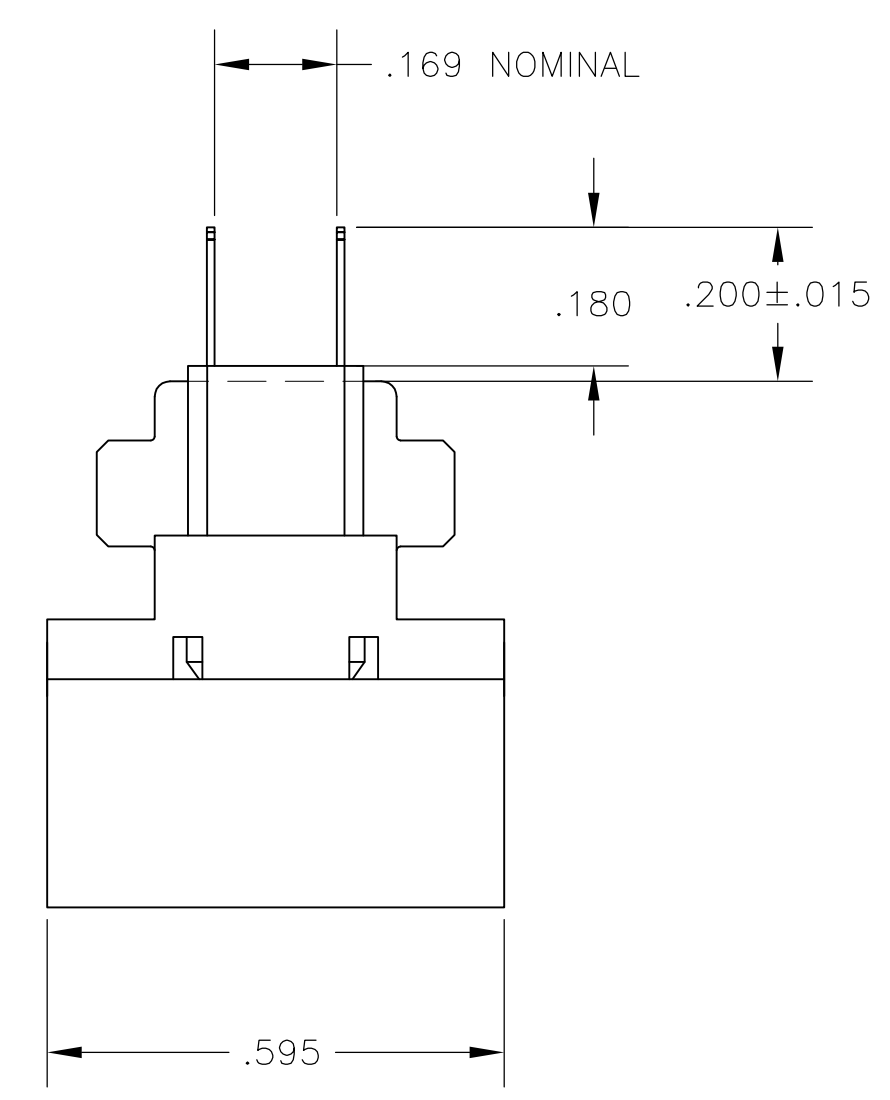


| LOC | | DIST | | REVISIONS | | | |
|-----|-----|---------------------------|---------|-----------|------|--|--|
| P | LTR | DESCRIPTION | DATE | DMN | APVD | | |
| B | | REVISED PER ECO-08-007327 | 22JUL08 | BM | WM | | |



1. THE CONTACT SURFACES OF THE TERMINALS ARE COATED WITH LUBRICANT.
2. MATERIAL: HOUSING - POLYESTER, BLACK. TERMINAL - PHOS BRONZE PLATED WITH EITHER .000030 MINIMUM GOLD PLATE OR GOLD FLASH OVER PALLADIUM NICKEL PLATE, .000030 MINIMUM TOTAL ON MATING SURFACE. .000120 MINIMUM MATTE TIN ON TAILS OVER .000050 MINIMUM NICKEL UNDERPLATE OVER ENTIRE TERMINAL.
3. DIMENSIONS ARE MAXIMUM UNLESS OTHERWISE SPECIFIED.
4. HOUSING MATERIAL WILL WITHSTAND 415' FOR 20 SECONDS. MATERIAL PASSES UL94-VO FLAMMABILITY.



5552116-1 PART NUMBER

| | | | | |
|--|---|--------------------------------|---|--|
| THIS DRAWING IS A CONTROLLED DOCUMENT. | | DIN B. LATTUCA 17AUG05 | Tyco Electronics Corporation Harrisburg, PA 17105-3608 | |
| DIMENSIONS: INCHES | | CHK W. MILLHIMES 17AUG05 | NAME M. WALMSLEY 17AUG05 | |
| TOLERANCES UNLESS OTHERWISE SPECIFIED: | | PRODUCT SPEC | | |
| 0. PLC | ± | APPLICATION SPEC | | |
| 1. PLC | ± | SIZE | | |
| 2. PLC | ± | CAGE CODE | | |
| 3. PLC | ± | DRAWING NO | | |
| 4. PLC | ± | RESTRICTED TO | | |
| ANGLES | ± | WEIGHT | | |
| MATERIAL | | A1 00779 C=5552116 | | |
| FINISH | | CUSTOMER DRAWING | | |

Mouser Electronics

Authorized Distributor

Click to View Pricing, Inventory, Delivery & Lifecycle Information:

[TE Connectivity:](#)

[5552116-1](#)