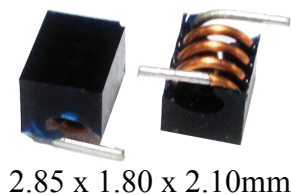


SMT Air Coil Inductor

AIAC-0805C



RoHS
Compliant



2.85 x 1.80 x 2.10mm

FEATURES:

- High current design
- Wide Range Frequency Response
- Excellent Q & SRF
- Standard flat cap top suitable for automatic placement.

APPLICATIONS:

- Widely used in Cordless Phones, High Frequency Communication Equipments, Intercom, CATV,RFID
- Suitable for metal sensors and proximity sensors
- Noise suppression for RF power supply/bias
- I/O filtering, frequency selection for audio devices such as Loudspeakers,Hifi
- Impedance Matching for transceivers
- Improves switch isolation for RF circuit

STANDARD SPECIFICATIONS:

PARAMETERS

ABRACON P/N:	AIAC-0805C
Operating temperature:	-40 °C ~ +125 °C
Storage temperature:	-25°C to + 60°C

Part Number	Inductance	Tolerance	DCR (Max)	Q(Min)	SRF(Min)	Rated Current (Max)	Inductance Code
Units	nH	%	mΩ		MHz	mA	
Symbol	L	K	DCR			IDC	
AIAC-0805C-3N9	3.9	K	2.6	80	>3000	1200	3N9
AIAC-0805C-4N7	4.7	K	3.6	80	>3000	900	4N7
AIAC-0805C-5N6	5.6	K	3.7	80	>3000	950	5N6
AIAC-0805C-6N8	6.8	K	4.5	80	>3000	900	6N8
AIAC-0805C-8N2	8.2	K	5.3	80	>3000	840	8N2
AIAC-0805C-10N	10	K	5.4	70	>3000	900	10N
AIAC-0805C-12N	12	K	6.3	70	>3000	900	12N
AIAC-0805C-15N	15	K	7.2	70	2500	900	15N
AIAC-0805C-18N	18	K	12.5	70	2500	500	18N
AIAC-0805C-22N	22	K	12.9	70	2400	550	22N
AIAC-0805C-27N	27	K	14.5	70	1600	550	27N
AIAC-0805C-33N	33	K	18.7	70	1600	500	33N

Test Conditions and equipments

Test frequency: 300MHz

Equipment: HP4286A/HP16191A

PART IDENTIFICATION:

AIAC-0805C- [] [] - []

Inductance Code

Please refer to the Electrical Spec Table

Tolerance

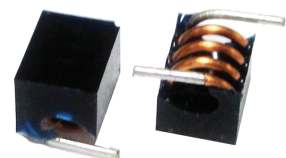
K: ±10%

Packaging

T: Tape and Reel
(4kpcs / reel)

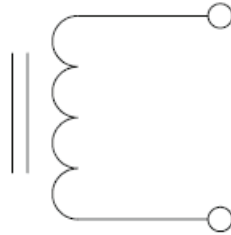
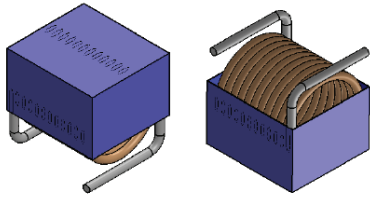
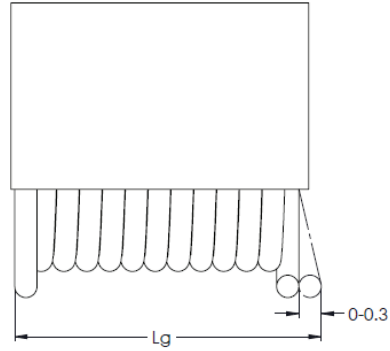
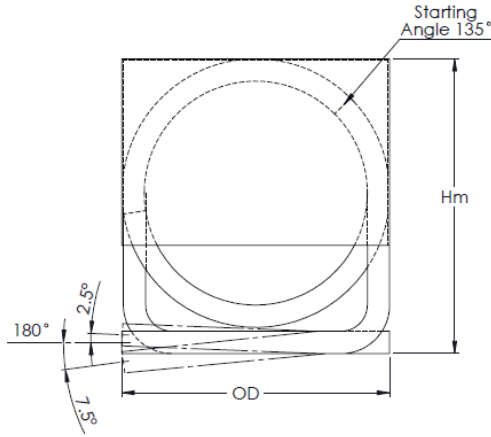
SMT Air Coil Inductor

AIAC-0805C



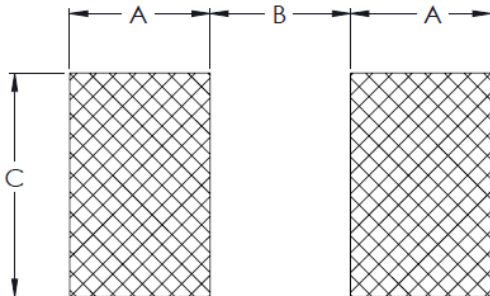
2.85 x 1.80 x 2.10mm

OUTLINE DRAWING:



Hm	2.10 Max
OD	1.80 Max
Lg	2.85 Max

Recommended Land Pattern



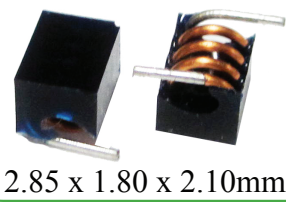
A	1.02 Min
B	0.76 Min
C	1.78 Min

Dimension: mm

SMT Air Coil Inductor

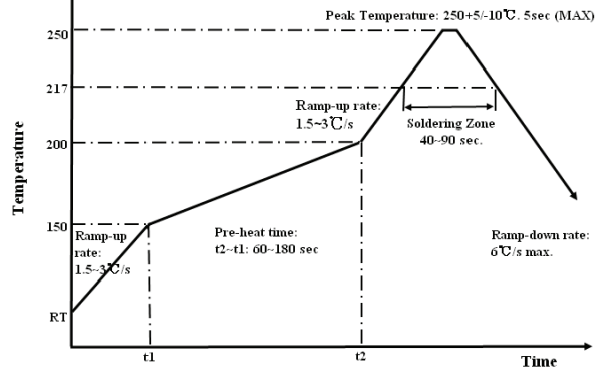
AIAC-0805C

Pb **RoHS**
Compliant



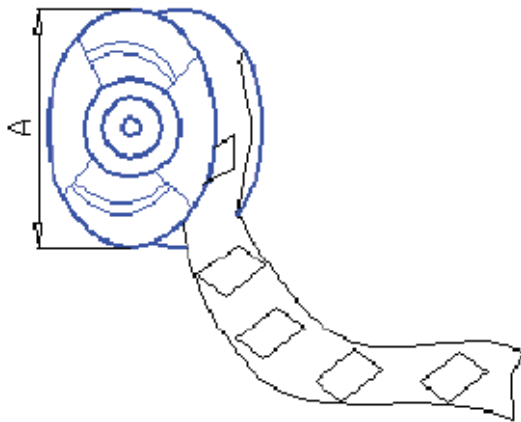
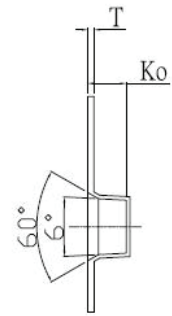
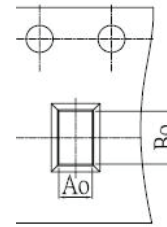
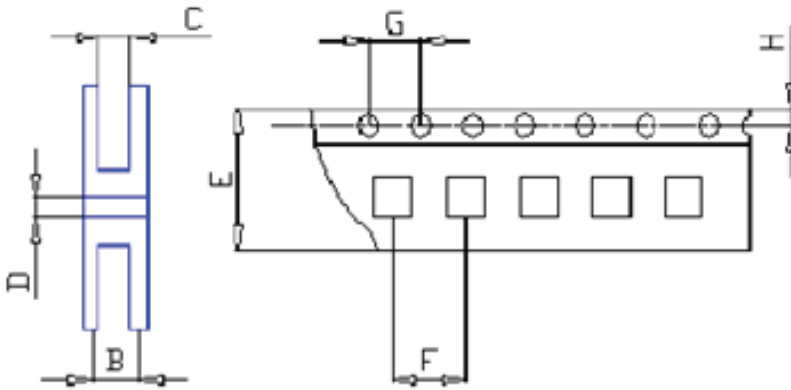
2.85 x 1.80 x 2.10mm

REFLOW PROFILE:



TAPE & REEL:

Packing
T: 4,000pcs / reel



Ao	1.85±0.10
Bo	2.95±0.10
Ko	2.15±0.10
A	330
B	18
C	12
D	13
E	12
F	8.0
G	4.0
H	1.75
T	0.35

Dimension: mm

ATTENTION: Abracon LLC's products are COTS – Commercial-Off-The-Shelf products; suitable for Commercial, Industrial and, where designated, Automotive Applications. Abracon's products are not specifically designed for Military, Aviation, Aerospace, Life-dependent Medical applications or any application requiring high reliability where component failure could result in loss of life and/or property. For applications requiring high reliability and/or presenting an extreme operating environment, written consent and authorization from Abracon LLC is required. Please contact Abracon LLC for more information.

Mouser Electronics

Authorized Distributor

Click to View Pricing, Inventory, Delivery & Lifecycle Information:

ABRACON:

[AIAC-0805C-18NK-T](#) [AIAC-0805C-68NK-T](#) [AIAC-0805C-33NK-T](#) [AIAC-0805C-6N8K-T](#) [AIAC-0805C-22NK-T](#) [AIAC-0805C-4N7K-T](#) [AIAC-0805C-39NK-T](#) [AIAC-0805C-3N9K-T](#) [AIAC-0805C-56NK-T](#) [AIAC-0805C-12NK-T](#) [AIAC-0805C-15NK-T](#) [AIAC-0805C-8N2K-T](#) [AIAC-0805C-5N6K-T](#) [AIAC-0805C-47NK-T](#) [AIAC-0805C-10NK-T](#) [AIAC-0805C-27NK-T](#)