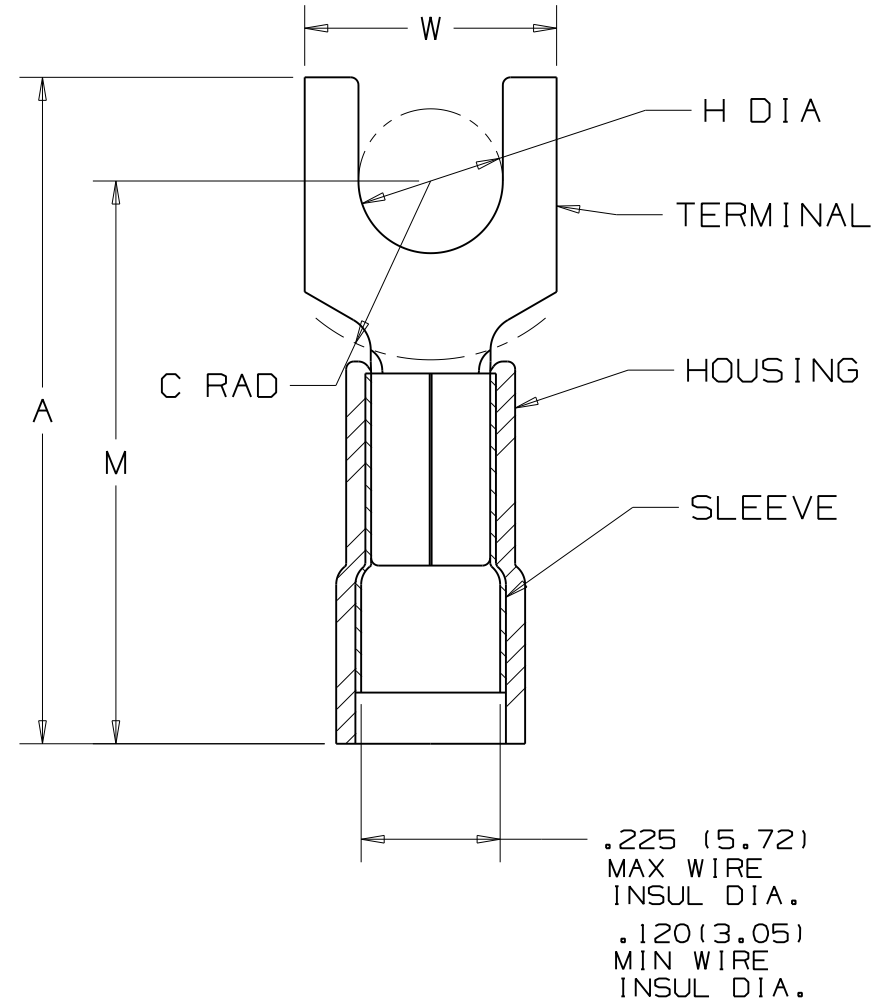


| PANDUIT PART NUMBER | STUD SIZE | DIMENSIONS in.  |                |               |                |               |
|---------------------|-----------|-----------------|----------------|---------------|----------------|---------------|
|                     |           | A ±.04          | W ±.01         | C ±.02        | M ±.04         | H ±.01        |
| PN10-6F             | #6        | 1.00<br>(25.40) | .31<br>(7.87)  | .22<br>(5.59) | .81<br>(20.57) | .15<br>(3.81) |
| PN10-8F             | #8        | 1.03<br>(26.16) | .37<br>(9.40)  | .22<br>(5.59) | .81<br>(20.57) | .17<br>(4.32) |
| PN10-10F            | #10       | 1.04<br>(26.42) | .37<br>(9.40)  | .22<br>(5.59) | .81<br>(20.57) | .20<br>(5.08) |
| PN10-14F            | 1/4"      | 1.14<br>(28.96) | .49<br>(12.45) | .30<br>(7.62) | .90<br>(22.86) | .27<br>(6.86) |

NOTES:

- UL LISTED AND CSA CERTIFIED FOR:
  - 600V. MAX. BLDG WIRE (1000 V. MAX IN SIGNS, FIXTURES & LUMINARIES)
  - #14-10 AWG SOLID OR STRANDED COPPER WIRE WITH THE CT-550 INSTALLATION TOOL.
  - #12-10 AWG STRANDED AND #12 AWG SOLID COPPER WIRE WITH THE CT-1550 AND CT-1551 INSTALLATION TOOLS.
  - #12-10 AWG SOLID OR STRANDED COPPER WIRE WITH THE CT-100 INSTALLATION TOOL.
  - 221°F (105°C) MAX TEMP. RATING
- MATERIAL:
  - STAMPING - .04" (1.02) THK COPPER, TIN PLATED
  - HOUSING - NYLON, YELLOW
  - SLEEVE - BRASS, TIN PLATED
- STRIP LENGTH -  $9/32 +^{1/32}_0$
- SEE [www.panduit.com](http://www.panduit.com) FOR PART NUMBER SUFFIX DESIGNATION FOR PACKAGE SIZE.
- DIMENSIONS IN BRACKETS ARE IN MILLIMETERS



LISTED  
587H  
E52164



CERTIFIED  
LR31212

**PANDUIT** CORP.

TINLEY PARK, ILLINOIS

3PC. NYLON INSULATED,  
12-10 BARREL, FORKS

05 5/11 SB UPDATED NOTE #4

| REV | DATE | BY | CHK | DESCRIPTION | ECN # | CUST | PM | DRAWN BY | CHK'D | SCALE | DRAWING NO. |
|-----|------|----|-----|-------------|-------|------|----|----------|-------|-------|-------------|
|     |      |    |     |             |       |      |    | FES      | LA    | NONE  | A41190      |

# Mouser Electronics

Authorized Distributor

Click to View Pricing, Inventory, Delivery & Lifecycle Information:

[Panduit:](#)

[PN10-10F-D](#) [PN10-10F-L](#) [PN10-8F-D](#) [PN10-8F-L](#) [PN10-6F-L](#) [PN10-6F-D](#) [PN10-14F-D](#) [PN10-14F-L](#)