

4

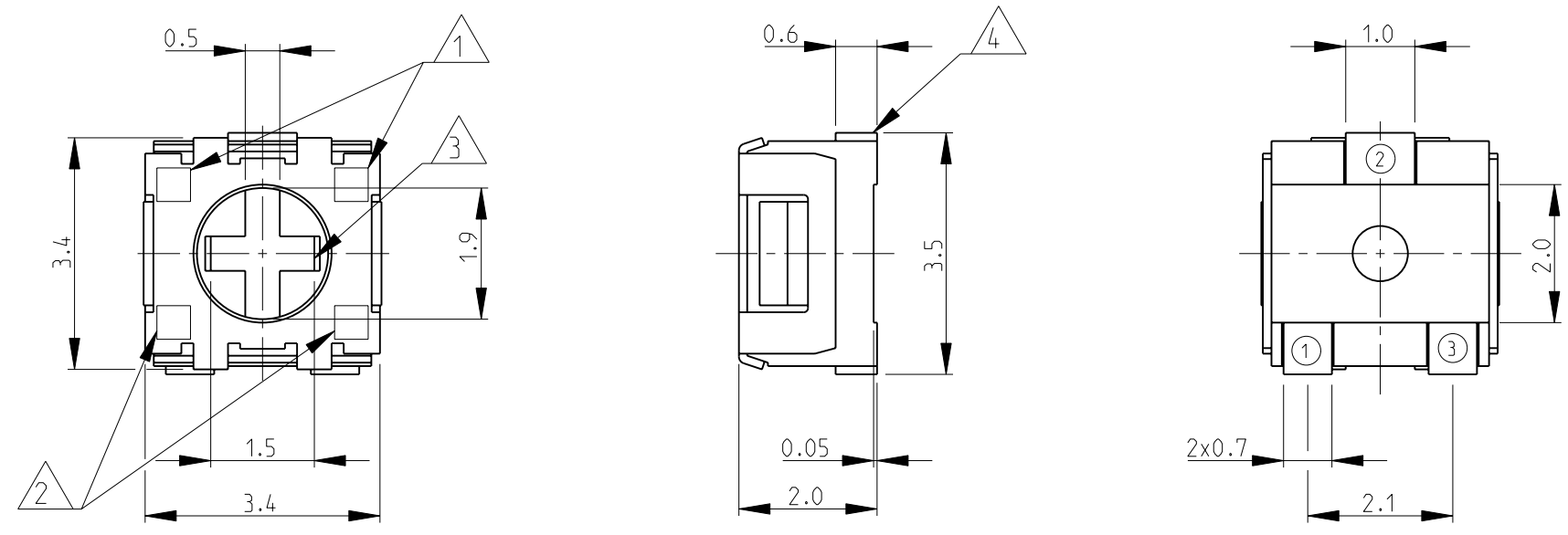
3

2

1

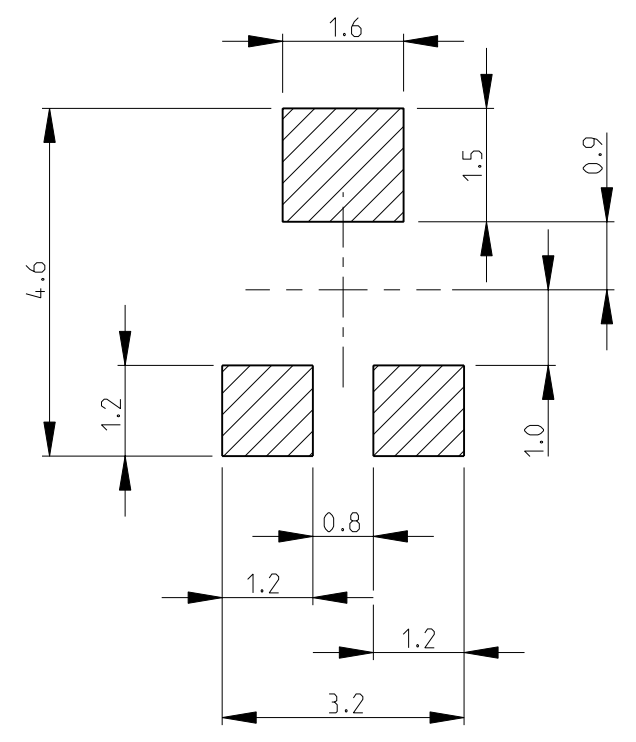
THIS DRAWING IS UNPUBLISHED. RELEASED FOR PUBLICATION 2008  
 © COPYRIGHT 2008 BY TYCO ELECTRONICS CORPORATION. ALL RIGHTS RESERVED.

| LOC | DIST | REVISIONS   |             |           |         |
|-----|------|-------------|-------------|-----------|---------|
| P   | LTR  | DESCRIPTION | DATE        | DWN       | APVD    |
| E   | B    | A           | NEW RELEASE | 13-NOV-08 | SM St.P |

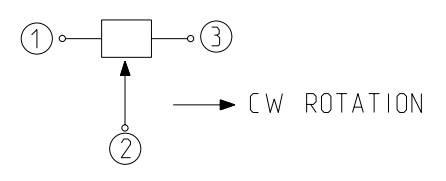


- 1 DATE CODE
- 2 RESISTANCE CODE 2 DIGITS
- 3 CROSS SLOT FOR "0" BIT DRIVER, DEPTH: 0.45mm
- 4 t=0.12 SOLDER-PLATED
- 5 FOR FURTHER INFORMATION SEE DATA SHEET FOR 3213 SERIES-SMD TRIMMERS

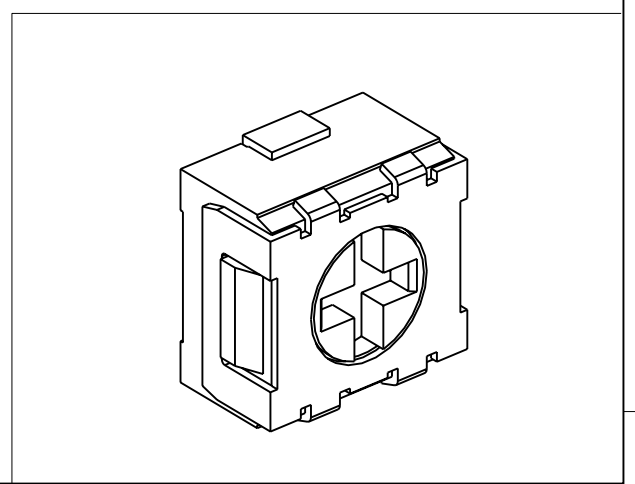
RECOMMENDED LAND PATTERN



CIRCUIT DIAGRAM



RoHS Compliant



|                                                                                                                                                                                                                                   |  |                                                                                                                      |  |                                                          |                 |
|-----------------------------------------------------------------------------------------------------------------------------------------------------------------------------------------------------------------------------------|--|----------------------------------------------------------------------------------------------------------------------|--|----------------------------------------------------------|-----------------|
| <small>THIS DRAWING IS A CONTROLLED DOCUMENT FOR TYCO ELECTRONICS CORPORATION<br/>         IT IS SUBJECT TO CHANGE AND THE CONTROLLING ENGINEERING ORGANIZATION<br/>         SHOULD BE CONTACTED FOR THE LATEST REVISION.</small> |  | DWN SUBHASH.M 13-NOV-08<br>CHK PRAKASH.S 13-NOV-08<br>APVD STEPHEN.P 13-NOV-08                                       |  | Tyco Electronics Corporation<br>Dorcan, Swindon, SN3 5HH |                 |
| DIMENSIONS:<br>mm                                                                                                                                                                                                                 |  | TOLERANCES UNLESS OTHERWISE SPECIFIED:<br>0 PLC ±0.2<br>1 PLC ±0.1<br>2 PLC ±-<br>3 PLC ±-<br>4 PLC ±-<br>ANGLES ±5° |  | NAME<br><b>SMD TRIMMERS<br/>         SERIES 3213</b>     |                 |
| MATERIAL -                                                                                                                                                                                                                        |  | FINISH -                                                                                                             |  | PRODUCT SPEC -<br>APPLICATION SPEC -<br>WEIGHT -         |                 |
| CUSTOMER DRAWING                                                                                                                                                                                                                  |  |                                                                                                                      |  | SIZE A3<br>CAGE CODE 00779<br>DRAWING NO. 1879029        | RESTRICTED TO - |
| SCALE 10:1                                                                                                                                                                                                                        |  |                                                                                                                      |  | SHEET 1 OF 1                                             | REV A           |

# Mouser Electronics

Authorized Distributor

Click to View Pricing, Inventory, Delivery & Lifecycle Information:

[TE Connectivity:](#)

[3213X103M](#)