

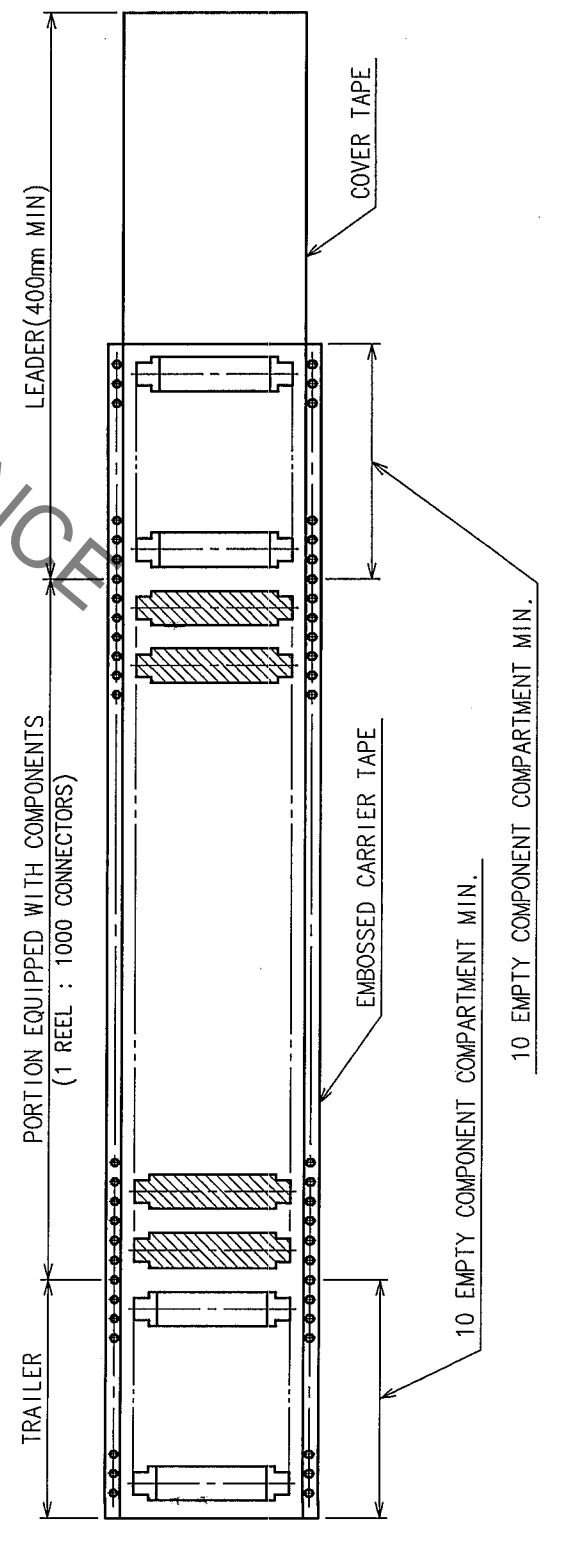
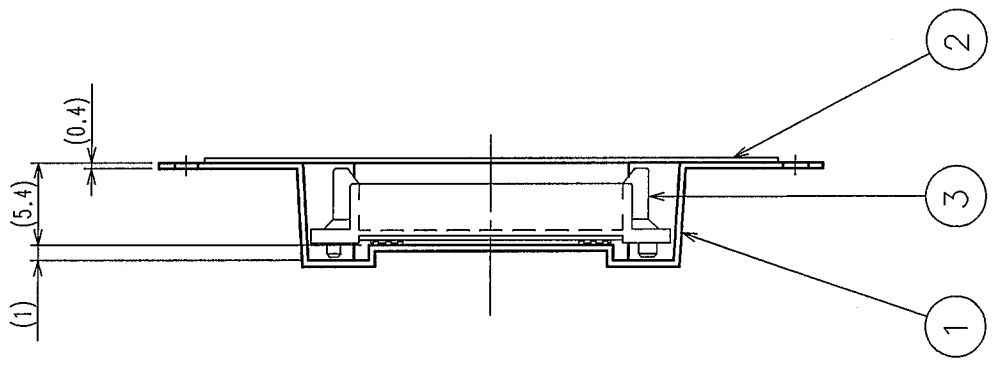
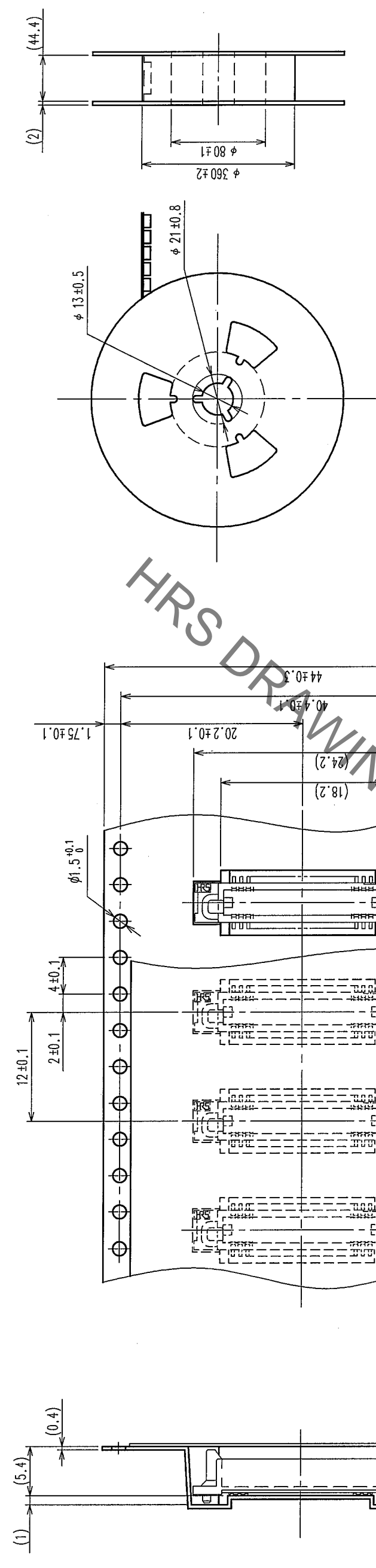


Aug.1.2020 Copyright 2020 HIROSE ELECTRIC CO., LTD. All Rights Reserved.  
 2 In case of consideration for using Automotive equipment / device which demand high reliability, kindly contact our sales window correspondents.

COUNT	DESCRIPTION OF REVISIONS	BY	CHKD	DATE	COUNT	DESCRIPTION OF REVISIONS	BY	CHKD	DATE

↑  
DIRECTION OF UNREELING

STYLE AND DIMENSIONS OF REEL (FREE)



NOTE 1 THE DIMENSIONS IN PARENTHESES ARE FOR REFERENCE.  
 2 1 REEL : 1000 CONNECTORS

NO.	MATERIAL	FINISH, REMARKS	NO.	MATERIAL	FINISH, REMARKS
2	POLYESTER	COVER TAPE			
1	POLYSTYRENE	EMBOSSED CARRIER TAPE	3		(CONNECTOR)

CODE NO. (OLD)	DRAWN	DESIGNED	CHECKED	APPROVED	RELEASED
	Y. AOYAGI '05.09.22	J. Noda '05.09.22	K. Ogawa '05.09.27	H. Okawa '05.09.27	

DRAWING NO.	PART NO.
EDC3-084965-22	FX6-40P-0.8SV(92)

SCALE	UNITS	CODE NO.
2 : 1	mm	CL576-0003-9-92

TO	
----	--