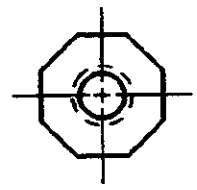


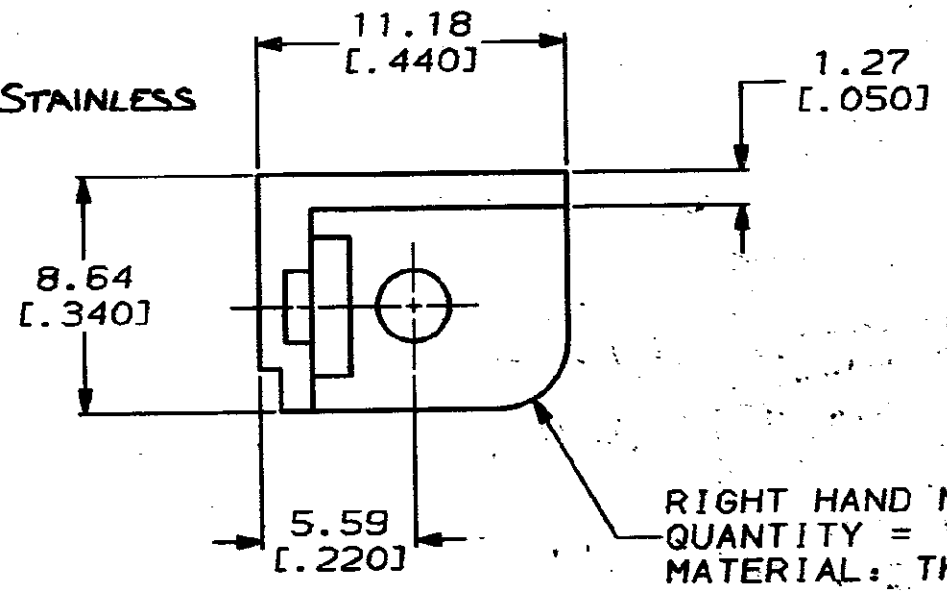
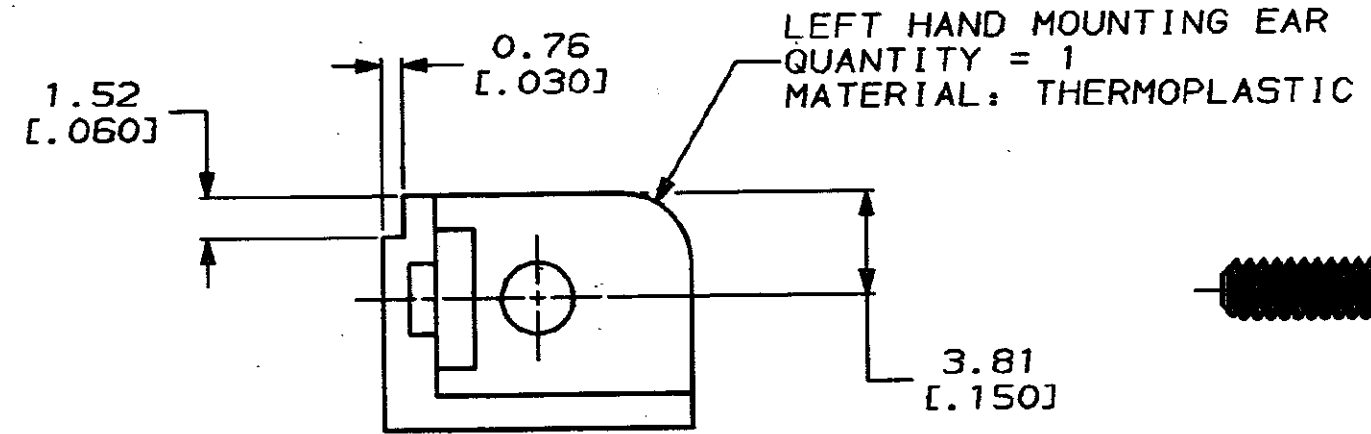
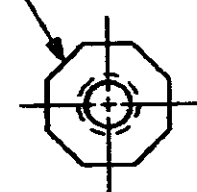
DRAWING MADE IN THIRD ANGLE PROJECTION

THIS DRAWING IS UNPUBLISHED. RELEASED FOR PUBLICATION
© COPYRIGHT 19 BY AMP INCORPORATED. ALL INTERNATIONAL RIGHTS RESERVED.

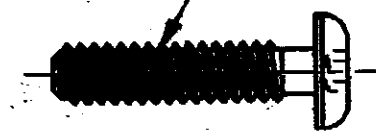
LOC	DIST	P	F	ZONE	LTR	REVISIONS	DESCRIPTION	DATE	APPD
AD	25				F	ECN AD4218		05/03/90	RKS



#2-56 OCTAGONAL NUT
QUANTITY = 2
MATERIAL: PASSIVATED STAINLESS STEEL

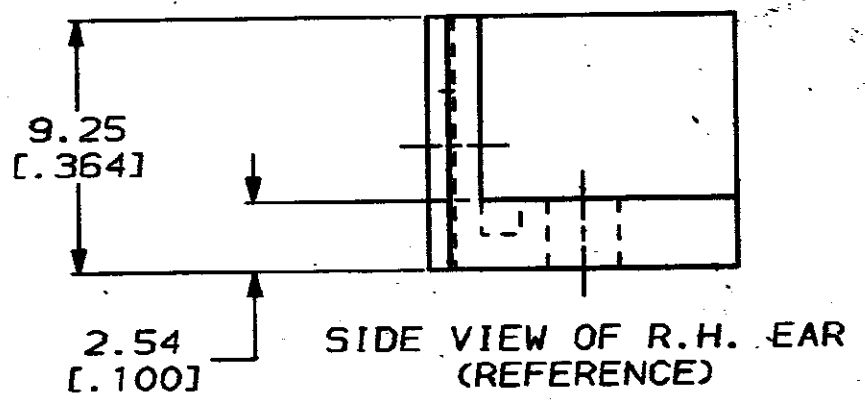


#2-56 BUTTON HEAD CAP SCREW
0.95 ^{+0.00} _{-0.08} [.375 ^{+0.000} _{-.030}] LONG
QUANTITY = 2
MATERIAL: PASSIVATED STAINLESS STEEL



533050-1: IS AS SHOWN.
533050-2: CONTAINS MOUNTING EARS ONLY (NO HARDWARE).

METRIC



DO NOT SCALE PRINT. UNLESS SPECIFIED DIMENSIONS IN INCHES TOLERANCES ON: 2 PLC DEC ± - 3 PLC DEC ± 0.013 [.005] ANGLES ± -		DR 05/03/90 R.K. SEIFRIED	PART NO	
MATERIAL -	CHK <i>Rubio</i> 126-90	AMP INCORPORATED Harrisburg, Pa. 17105		
FINISH -	APPD -	NAME HDI, 3 & 4 ROW, MOUNTING EAR KIT		
	APPD -	SIZE B	CAGE CODE 00779	
	PRODUCT SPEC -	DRAWING NO 533050		
	APPLICATION SPEC -	SCALE 4:1	SHEET 1 OF 1	
	WEIGHT -			

AMP 1470-15 REV 6-89

39 MAY 1990 15-05-05 5616

CUSTOMER DRAWING

Mouser Electronics

Authorized Distributor

Click to View Pricing, Inventory, Delivery & Lifecycle Information:

[TE Connectivity:](#)

[533050-1](#)