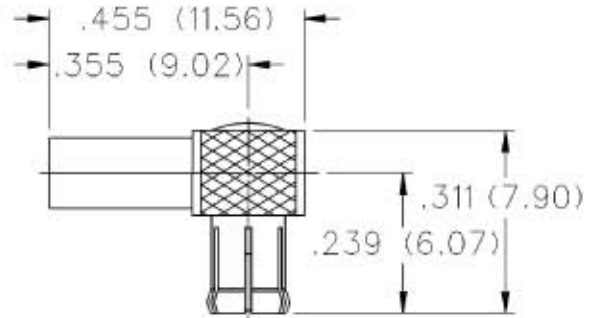


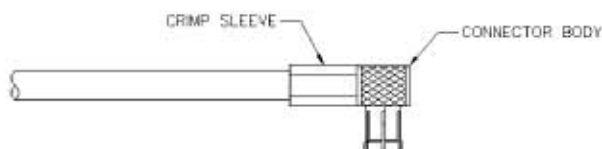
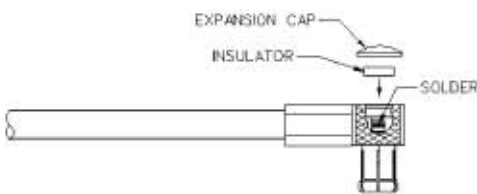
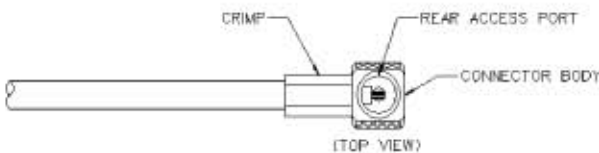
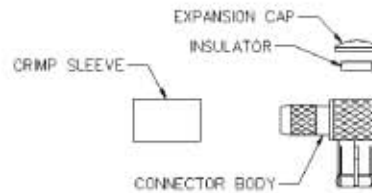
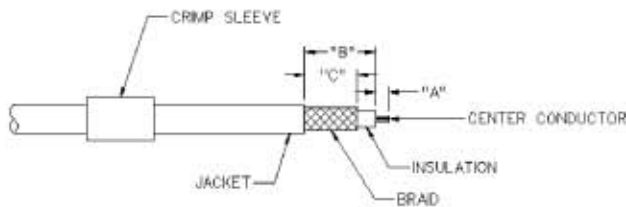
Right Angle Crimp Type Plug - Captivated Contact



| CABLE TYPE | GOLD PLATED |
|-------------------|--------------|
| RG-316 DS, 188 DS | 133-9404-101 |

MCX Crimp Type Right Angle Plugs For Flexible Cable

| CABLE GROUP | PART NUMBER | "A" | "B" | "C" | CRIMP HEX |
|--------------------|--------------|-------------|-------------|-------------|-------------|
| RG-316/u, 188, 174 | 133-9403-101 | .050 (1.27) | .270 (6.86) | .200 (5.08) | .128 (3.25) |
| RG-316DS, 188DS | 133-9404-101 | .050 (1.27) | .270 (6.86) | .200 (5.08) | .151 (3.83) |



1. Identify connector parts. (4 piece parts)
2. Strip cable to dimensions shown. Do not nick braid or center conductor. A wire stripper of correct size is recommended for this step. Twist stranded center conductor into tight bundle and tin (optional). Slide crimp sleeve onto cable shown.
3. Flair braid and slide cable into body making certain that the cable insulation bottoms on center contact. Arrange braid uniformly around crimp stem. Slide crimp sleeve over braid and crimp securely using recommended crimp tool.
4. Solder center conductor to contact through rear access port. Use a minimum amount of solder for a full fillet joint. **.020 (0.51) diameter solder is recommended.**
5. Assemble insulator if applicable then place expansion cap in access port and seat with .156 (3.96) diameter flat punch or MCX hand assembly tool 141-0000-908. Shrink heat shrink tubing over crimp sleeve if applicable.

SPECIFICATIONS

ELECTRICAL RATINGS

Impedance: 50 Ohms

Frequency Range: 0-6 GHz

VSWR: (f = GHz)

| | Straight Cabled Connectors | Right Angle Cabled Connectors |
|----------------------|-----------------------------------|--------------------------------------|
| RG-316 cable | 1.13 + .04f | 1.07 + .04f |
| Uncabled receptacles | | N/A |

Working Voltage: (Vrms maximum)†

| Connectors for Cable Type | <u>Sea Level</u> | <u>70K Feet</u> |
|---------------------------|------------------|-----------------|
| RG-316 | 335 | 85 |

Dielectric Withstanding Voltage: (VRMS minimum at sea level)

Connectors for RG-316, uncabled receptacles 1000

Corona Level: (Volts minimum at 70,000 feet)

Connectors for RG-316, uncabled receptacles 250

Insertion Loss: (dB maximum, tested at 1 GHz)

Straight cable connectors 0.1 dB

Right angle cable connectors 0.2 dB

Uncabled receptacles N/A

Insulation Resistance: 10,000 megohms minimum

Contact Resistance: (milliohms maximum)

| | <u>Initial</u> | <u>After Environmental</u> |
|---|----------------|----------------------------|
| Center contact (straight cabled connectors, uncabled receptacles) | 5.0 | 8.0 |
| Center contact (right angle cabled connectors) | 5.0 | 15.0 |
| Outer contact | 1.0 | 1.5 |
| Braid to body | 1.0 | N/A |

RF Leakage: (dB typical tested at 2.5 GHz)

Cable connectors -55

Uncabled receptacles N/A

RF High Potential Withstanding Voltage: (Vrms minimum, tested at 4 and 7 MHz)

Cabled connectors 700

Uncabled receptacles 600

MECHANICAL RATINGS

Engagement Design: Compatible with CECC 22220, Series MCX

Engagement Force: 5.6 pounds maximum axial force

Disengagement Force: 8 pounds maximum axial force, 1 pound min.

Contact Retention: 2.3 pounds min. axial force (captivated contacts)

1 inch-ounce min. torque (uncabled receptacles)

| Cable Retention: | Axial Force* (pounds) | Torque (in-oz) |
|-------------------------|--|---------------------------------|
| Connectors for RG316 | 20 | N/A |
| Connectors for RG316DS | 25 | N/A |

Connectors for RG316DS 25

Connectors for RG316DS 25

* or cable breaking strength whichever is less.

ENVIRONMENTAL RATINGS (Meets or exceed the applicable paragraph of MIL-PRF-39012)

Durability: 500 cycles minimum

Temperature Range: - 65°C to + 165°C

Thermal Shock: MIL-STD-202, Method 107, Condition F

Corrosion: MIL-STD-202, Method 101, Condition B

Shock: MIL-STD-202, Method 213, Condition B

Vibration: MIL-STD-202, Method 204, Condition B

Moisture Resistance: MIL-STD-202, Method 106

Mouser Electronics

Authorized Distributor

Click to View Pricing, Inventory, Delivery & Lifecycle Information:

[Cinch Connectivity Solutions:](#)

[133-9404-101](#)